



PROKAN

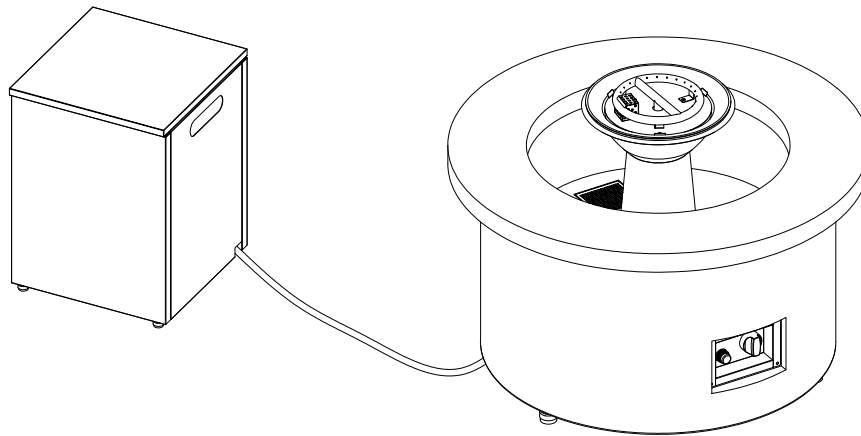
Aquaflame European ledge Water and Fire Pit

Model Number: ACFFT38-LP-A

Customer Assistance (spare/ replacement parts): 1-877-419-2598

or Email:support@1800acs.comcontact@zhprokan.com

OPERATOR'S MANUAL



THIS ASSEMBLY MANUAL CONTAINS IMPORTANT SAFETY INFORMATION. PLEASE READ AND KEEP FOR FUTURE REFERENCE.

⚠ DANGER	CARBON MONOXIDE HAZARD
	This appliance can produce carbon monoxide which has no odor. Using it in an enclosed space can kill, cause injury or death. Never use this appliance in an enclosed space such as a camper, tent, car or home.

INSTALLER: Leave this manual with the appliance.
CONSUMER: Retain this manual for the future reference.

⚠ WARNING ⚠

1. Improper installation, adjustment, alteration, service or maintenance can cause injury or property damage. Read the installation, operating and maintenance instruction thoroughly before installing or servicing this equipment.
2. If the information in this manual is not followed exactly, a fire or explosion may result causing property damage, personal injury or loss of life.



⚠ WARNING ⚠

1. Do not store or use gasoline or other flammable liquids or vapors in the vicinity of this or any other appliances. An LP cylinder not
2. connected for use shall not be stored in the vicinity of this or any other appliance.
3. Installation and service must be performed by a qualified installer, service agency or gas supplier.

⚠ DANGER ⚠

- If you smell gas:**
1. Shut off gas to the appliance.
 2. Extinguish any open flame.
 3. Do NOT try lighting any appliance.
 4. If odor continues, keep away from the appliance and immediately call your gas supplier or your fire department.

Table of Contents

Quality Statement.....	3
Important Safety Information	4-5
Natural Gas Safety Instructions.....	6
Package Contents	7
Product Information	8
Components / Tools	9
Installation Of The Water Feature	10
Assembly Instructions	11-14
Selecting The Location & Site Preparation.....	15
Maintenance & Winterization.....	16
Part Diagrams and Lists	17-18
 Warning.....	19
 Danger	20
Troubleshooting.....	21-22
Care & Use Instructions	23-27
Storage Instructions	28
Technical Data	29
Limited Warranty	30
FCC statement	31

Important Safety Information

- Please read all instructions carefully before assembling this product.
- Where applicable, and for your safety, assembly by an adult is strongly recommended.
- Use only vendor-supplied hardware to assemble this item. Using unauthorized hardware could jeopardize the structural integrity of the item.
- Hardware may loosen overtime. Periodically check that all connections are tight.

Before Assembly

- Remove all parts and hardware from the box. Place all items on a carpeted or scratch-free work surface, as this will avoid damaging parts during assembly.
- The shipping box can provide an ideal work surface if none is available.
- Use the components and hardware lists below to identify, inventory and separate each of the hardware and components included.
- To avoid accidentally discarding small components or hardware, do not dispose of any packaging or contents of the shipping carton until assembly is complete.
- **DO NOT USE** power tools unless it is explicitly identified in this manual as required for use during assembly. Power tools can damage the fasteners, hardware and/ or components.
- Do not fully tighten all fasteners/ screws until all parts are in place. Failure to follow these instructions may cause the fasteners/ screws to misalign during assembly.

Care & Use

- Use a soft, clean cloth that will not scratch the surface when cleaning.

Important Safety Information



CAUTION



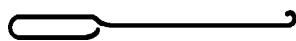
Failure to comply with these instructions may result in a hazardous situation which, if not avoided, may result in injury.

Spiders and small insects can spin webs and nest in the fireplace Burner Tubes during transit and warehousing which can lead to a gas flow obstruction resulting in a fire in and around the Burner Tubes. This type of "FLASHBACK FIRE" can cause serious grill damage and create an unsafe operating condition for the user.

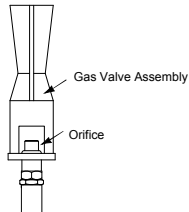
To reduce the chance of FLASHBACK FIRE you must clean the Burner Tubes as follows before initial use. Also do this at least once a month in summer and fall or whenever spiders are active in your area, and if your fireplace has not been used for an extended period of time.

1. Remove the screws from the rear of each Main Burner using a Phillips Head Screwdriver or wrench
2. Carefully lift each Burner up and away from the Gas Valve Orifice.
3. Check and clean Burner/ Venturi Tubes for insects and insect nests. A clogged tube can lead to a fire beneath the fireplace.
4. Refer to the figure below and perform one of these 3 cleaning methods:

- METHOD 1: Bend a stiff wire or wire coat hanger into a small hook as shown and run the hook through the Burner Tube and inside the Burner several times to remove debris.

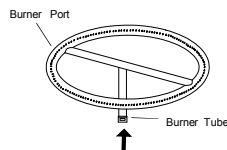


TO CLEAN BURNER TUBE, INSERT HOOK HERE



- METHOD 2: Use a bottle brush with a flexible handle and run the brush through the Burner Tube and inside the Burner several times to remove any debris.
- METHOD 3: Use an air hose to force air through each Burner Tube. The forced air should pass debris or obstructions through the Burner and out the Ports.

For safe operation ensure the Gas Valve Assembly Orifice is inside the Burner Tube before using your fireplace. See figure. If the Orifice is not inside the Burner Tube, lighting the Burner may cause explosion and/or fire resulting in serious bodily injury and/ or property damage.



PRE-ASSEMBLY

Read and perform the following pre-assembly instructions:

Tools Required for Assembly:

- protective work gloves
 - protective eyewear
 - Phillips Head Screwdriver
- You will need assistance from another person to handle the fireplace head and other large and heavy parts.
- Open lid of shipping carton. Remove top sheet of cardboard and packing materials. Lay cardboard sheet on floor and use as a work surface to protect floor and fireplace parts from scratches.
- You may slice the carton front corners with a utility knife to lay open the carton front panel. This allows you to raise the Lid and remove the components packed inside, making it easier to lift.
- Use the Hardware and Part Diagrams to ensure all items are included and free of damage.
- Do not throw away the bags of hardware that are included with boxed parts. These are required for assembly.
- Do not assemble or operate the grill if it appears damaged. If there are damaged or missing parts when you unpack the shipping box or you have questions during the assembly process call 1-877-419-2598; email:support@1800acs.com/ contact@zhprokan.com Monday through Friday from 8:00 a.m. to 8:00 p.m. EST

Fireplace Installation Codes

the installation must conform with local codes, or in the absence of local codes with the National Fuel Gas Code, ANSI Z223.1 • NFPA 54; National Fuel Gas Code; Natural Gas and Propane Installation Code, CSA B149.1; or Propane Storage and Handling Code, CSA B149.2, as applicable



WARNING



FOR YOUR SAFETY:

For Outdoor Use Only (outside non-enclosed area) Do Not Use For Cooking.

Installation and service must be performed by a qualified installer, service agency, or the gas supplier.

For outdoor use only (outside any enclosure)

Fill base with sand (12.5kg/2.7 lbs) before use.



CAUTION



To reduce the chance of **FLASHBACK FIRE** you must clean the Burner Tubes at least once a month in summer and fall or whenever spiders are active in your area, and if your fireplace has not been used for an extended period of time.

Important Safety Information

Warnings

DANGER

Solid fuels shall not be burned in this appliance

DANGER

The maximum inlet gas supply pressure: Max . 250PSI . Min 5PSI

DANGER

“Do not use this appliance if any part has been under water. Immediately call a qualified service technician to inspect the appliance and to replace any part of the control system and any gas control that has been under water.”

DANGER

CARBON MONOXIDE HAZARD

For outdoor use only. Never use inside house or other unventilated or enclosed areas. This heater consumes air (oxygen). Do not use in unventilated or enclosed areas to avoid endangering your life.

DANGER

EXPLOSION - FIRE HAZARD

Never store propane near high heat, open flames, pilot lights, direct sunlight, other ignition sources or where temperatures exceed 120 degrees F (49°C). Propane vapors are heavier than air and can accumulate in low places. If you smell gas, leave the area immediately.

Never install or remove propane cylinder while heater is lighted, near flame, pilot lights, other ignition sources or while heater is hot to touch.

This heater is red hot during use and can ignite flammables too close to the burner. Keep flammables at least 36" (914mm) from sides & 48" (1220mm) from top. Keep gasoline and other flammable liquids and vapors away from heater. The propane cylinder must always be stored outdoors in a well ventilated space. Never store propane cylinder in an enclosed area (house, garage, etc.). If heater is to be stored indoors, disconnect the propane cylinder for outdoor storage.

Caution: Do not attempt to operate until you have read & understand all General Safety Information in this manual and all assembly is complete & leak checks have been performed.

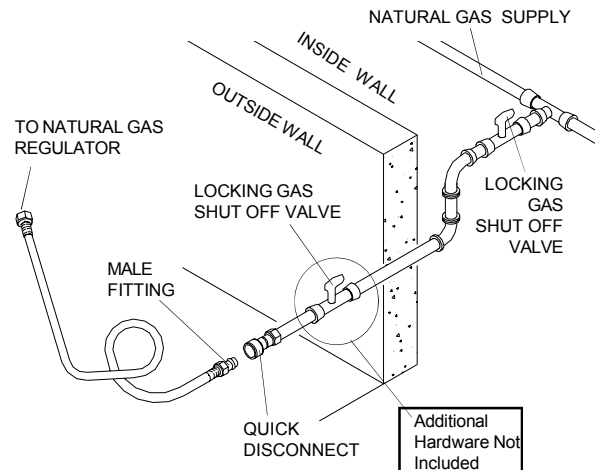
Natural Gas Safety Instructions

- Your Natural Gas fireplace is designed to operate on Natural Gas only, at a pressure of 7" water column (W.C.) (1/4 psig or 1.75 kpa), regulated at the residential meter. Check with your gas utility company for local gas pressure and with your local municipality for building code requirements. If your residential gas line pressure has not been regulated to 7" W.C., contact your local gas utility company for professional assistance.
- The gas pressure Regulator supplied with this appliance must be used. This Regulator is set for an outlet pressure of 4" W.C.
- It is recommended that a Shut Off Valve be installed at the gas supply source outdoors. Install at a point after the gas pipe exits the outside wall and before the Quick Disconnect Hose, or install it at the point before the gas line piping enters the ground. See **Figure 1**.
- Pipe sealing compound or pipe thread tape resistant to the action of Natural Gas must be used on all male pipe threads when making the connection.
- Disconnect your gas fireplace from fuel source when the gas supply is being tested at high pressures. This gas fireplace and its individual Shut Off Valve must be disconnected from the gas supply pipe system during any pressure testing of that system at pressure in excess of 1/2 psi (3.5kpa).
- Turn off your gas fireplace when the gas supply is tested at low pressures. The fireplace must be isolated from the gas supply pipe system by closing its individual Manual Shut Off Valve during any pressure testing of the gas supply pipe system at pressures equal to or less than 1/2 psi (3.5kpa).
- The Quick Disconnect connects to a 3/8 inch NPT thread from gas source. The Quick Disconnect fitting is a hand operated device that automatically shuts off the the flow of gas from the source when it is disconnected.
- The Quick Disconnect fitting can be installed horizontally, or pointing downward. DO NOT install the fitting with the opening pointing upward because the fitting could collect water and debris.
- The Dust Covers (plastic plugs) provided with the Quick Disconnect help keep the open ends clean while disconnected.
- The outdoor connector must be firmly attached to a ridged permanent construction.
- The Quick Disconnect MUST BE installed above ground.

Natural gas conversion kit is NOT included.

- **WARNING:** Do not route the 10 foot Quick Disconnect Hose under a deck. The hose must be visible and inspected prior to each grill use.

**Figure 1
(For Natural Gas Model Only)**



Gas Line Piping

If the length of line required does not exceed 50 feet, use a 5/8" O.D. tube. One size larger should be used for lengths greater than 50 feet.

Gas piping may be copper tubing, type K or L; polyethylene plastic tube, with a minimum wall thickness of .062 inch; or standard weight (schedule 40) steel or wrought iron pipe.

Copper tubing must be tin-lined if the gas contains more than 0.3 grams of hydrogen sulfide per 100 cubic feet of gas.

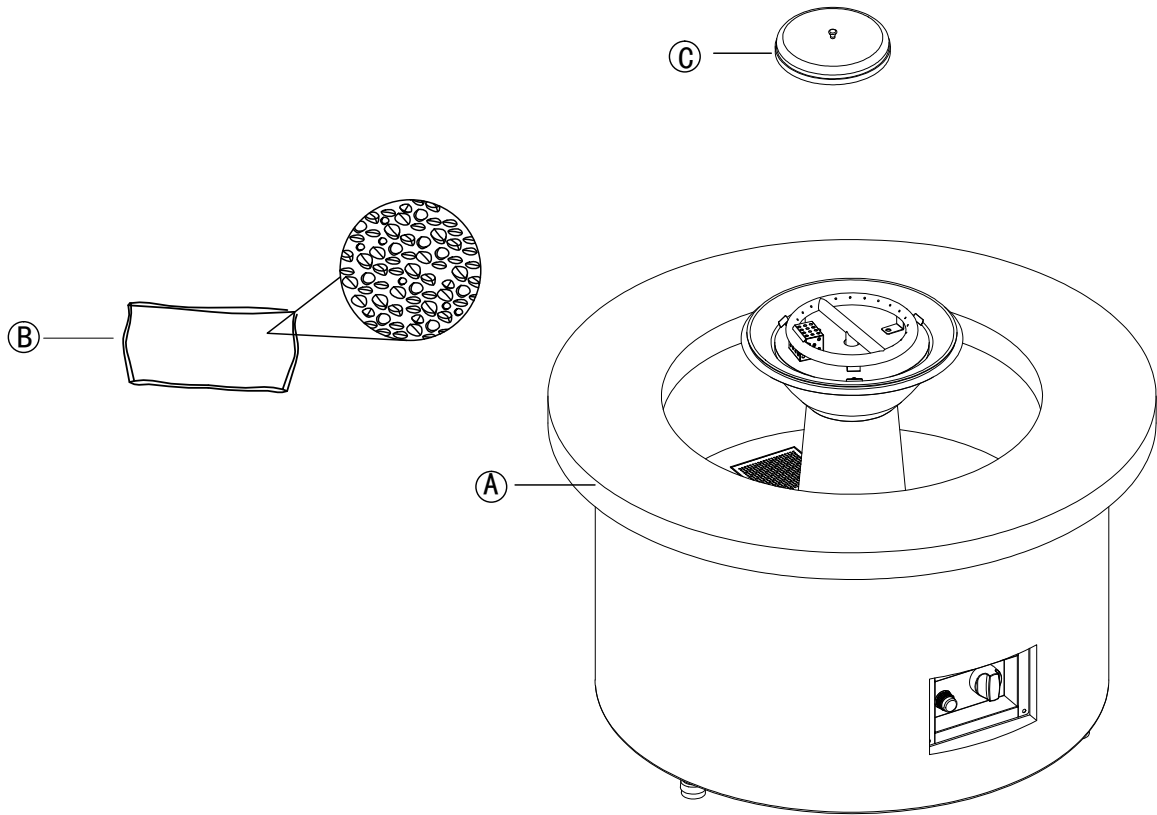
Plastic tubing is suitable only for outdoor, underground use.

Gas piping in contact with earth, or any other material which may corrode the piping, must be protected against corrosion in an approved manner. Underground piping must have a minimum of 18" cover.

Test Connections

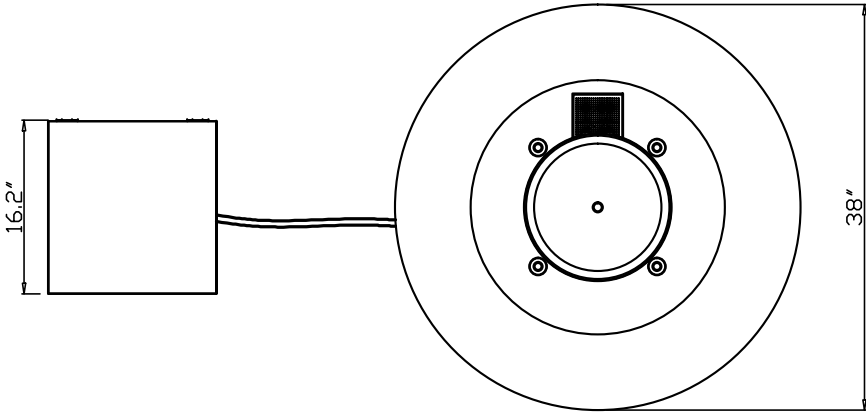
the installation must conform with local codes, or in the absence of local codes with the National Fuel Gas Code, ANSI Z223.1 • NFPA 54; National Fuel Gas Code; Natural Gas and Propane Installation Code, CSA B149.1; or Propane Storage and Handling Code, CSA B149.2, as applicable

Package Contents

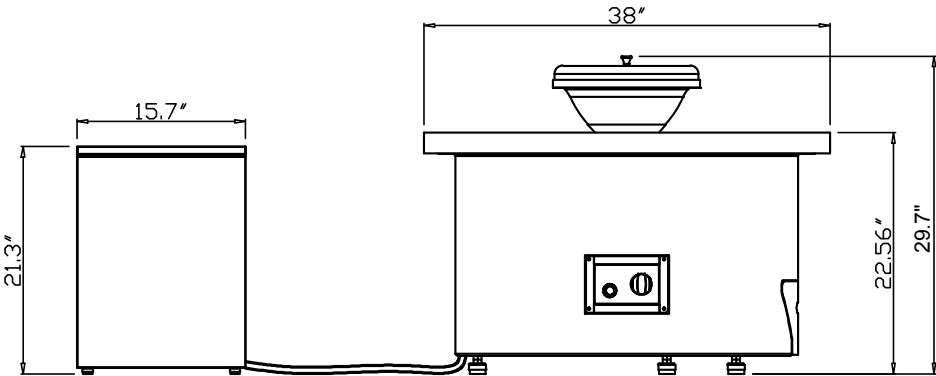


Component	Description	Quantity
A	Aquaflame water and fire pit	1
B	Fire glass	1
C	Lid	1

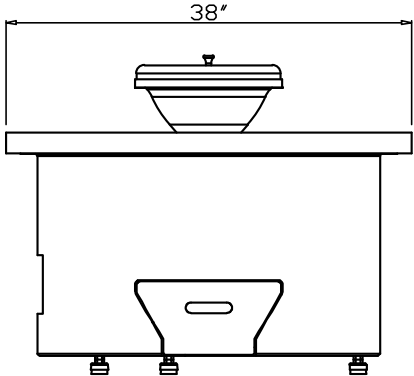
Product Information



Top View



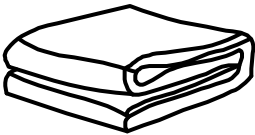
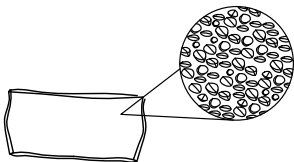
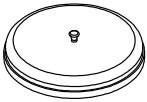
Front View



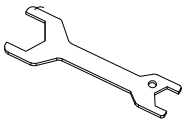
Right Side View

Components

Components

Cover Qty 1	Fire glass Qty 1	Lid Qty 1
		

Tools

Wrench (included)		
		

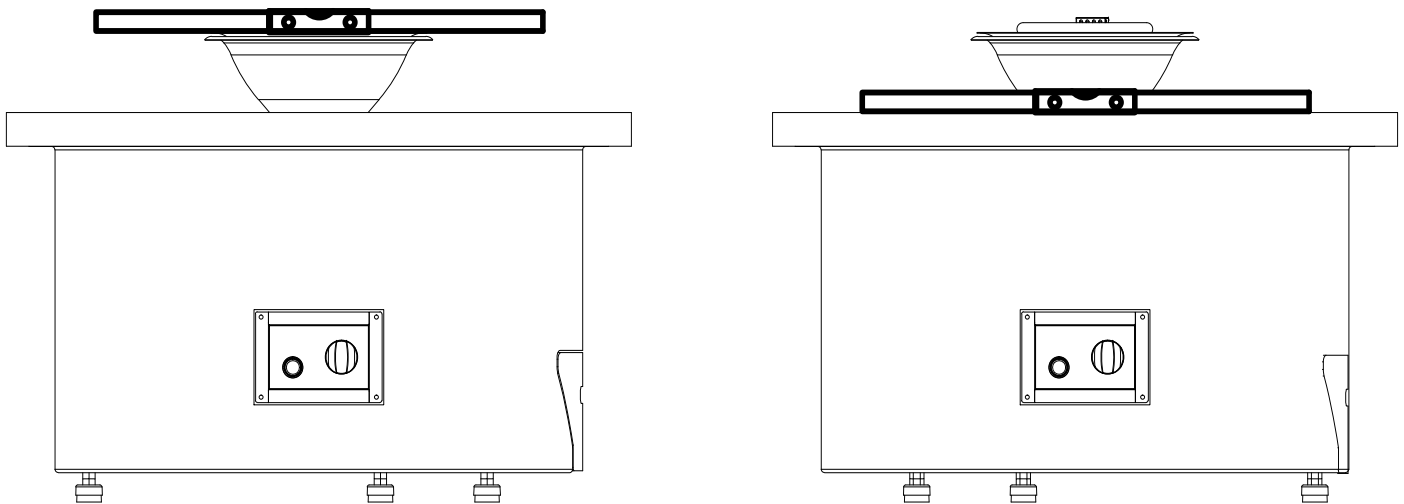
Installation Of The Water Feature

WARRANTY REQUIREMENT: Soft water is recommended. Hard water may cause premature failure of components and the pump.

WARRANTY REQUIREMENT: Never lift the unit by the top water or fire bowl, tower, or ring. This will damage these parts.

Prepare the site.

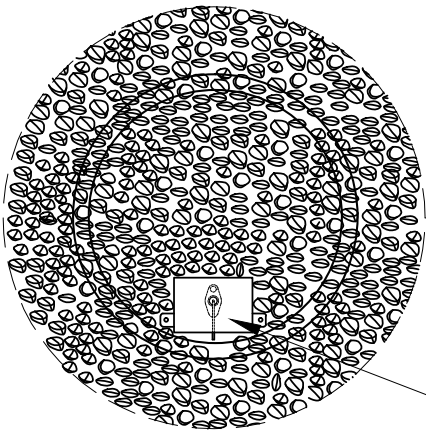
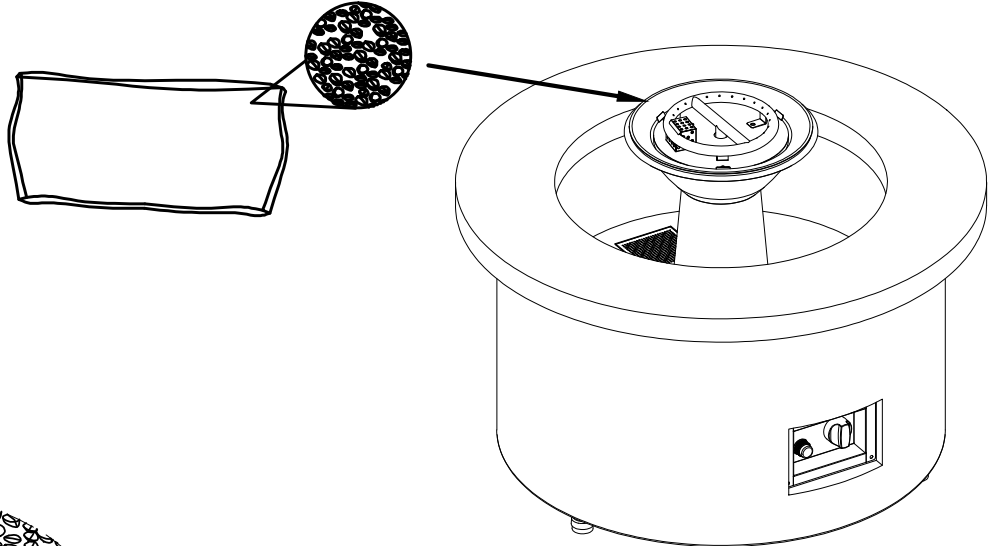
- a. Make sure the area is stable and level.
- b. Ensure electric is run to site on GFCI circuit and complies with all codes by the authority having jurisdiction.
- c. Level your water feature using the adjustable legs. The adjustable legs may also be used for minor height adjustments.
- d. After the unit is level, check the water feature for level.



Assembly Instructions

Step 1: Place the fire glasses evenly onto the burner bowl.

Before operation, please be sure to read the following NOTES carefully

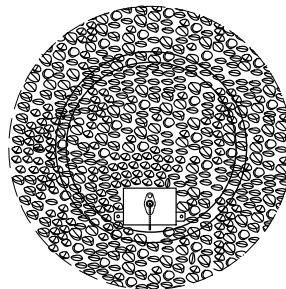


NOTE

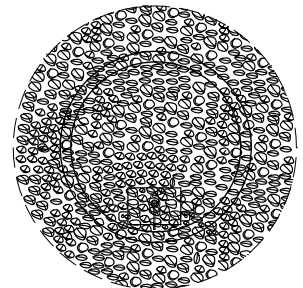
Please **DO NOT** pour more than 6lbs (3kg) of fire glass.

Pour the fire glass evenly into the burner bowl (with exception of the ignitor cover). The fire glass should **NOT** cover the ignitor cover.

1. Do **NOT** place more than 1/4 inches depth of fire glasses above the burner holes near the ignitor metal cover. Doing so will suffocate the flame and ignition may not take place.
2. **NOTE:** ignitor metal cover, ignition pin, thermocouple is unobstructed and should be clear from fire glasses (see figure below).
3. Do **NOT** dump the fire glass out of package. Carefully place the fire glasses by hand to avoid dust clog on the burner.



Correct



Incorrect

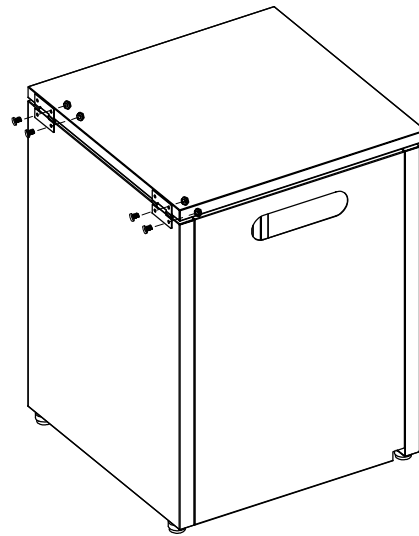
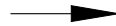
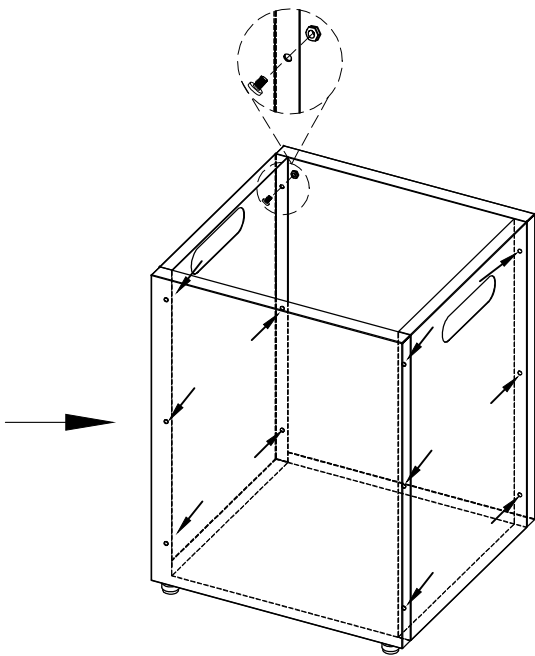
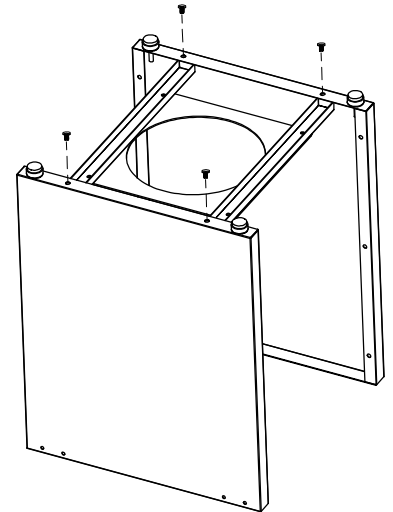
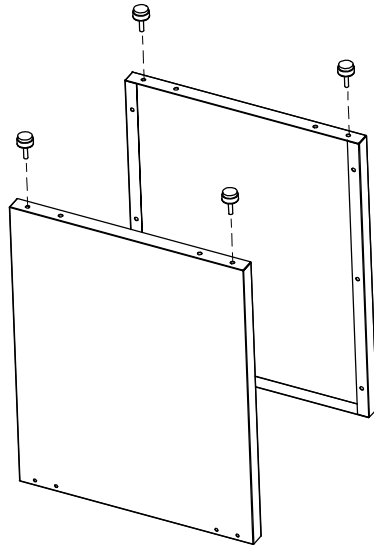
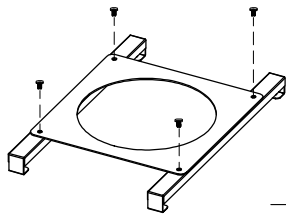
Step 2: Assemble the propane tank storage.



Phillips Head Screw 3/16"x3/8"
Qty.4



Phillips Head Screw 3/16"x3/8"
Qty.4



Phillips Head Screw 3/16"x3/8"
Qty.12



Phillips Head Screw 3/16"x3/8"
Qty.4

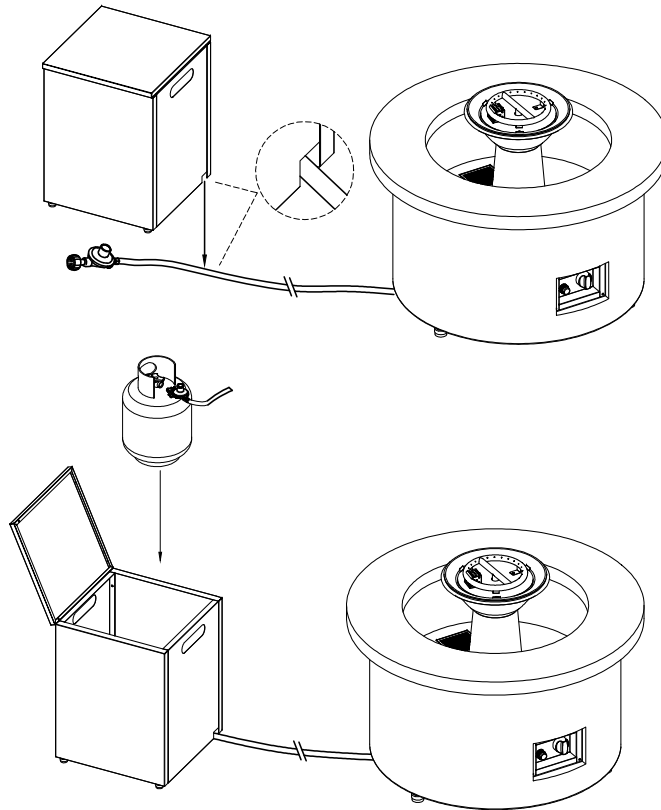


Flange Nut 3/16"
Qty.12



Flange Nut 3/16"
Qty.4

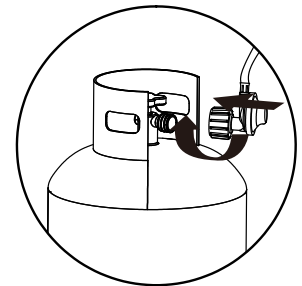
Step 3: Insert the regulator hose through the slot at the bottom of the propane tank compartment, then connect it securely to the propane tank.



Installing LP Gas Tank

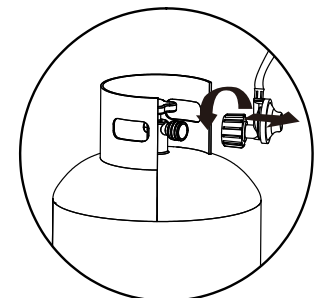
Connection LP gas tank

1. Before connecting be sure there is no debris caught in the head of the LP gas tank, head of the regulator valve or in the head of the burner or burner ports.
2. Connect regulator/hose assembly to tank by turning knob clockwise until it stops.



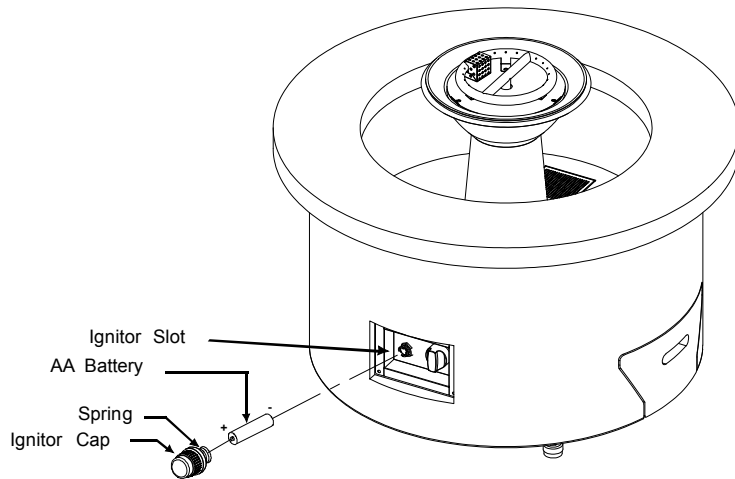
Disconnecting LP gas tank

1. Before disconnecting, make sure the LP gas tank valve is OFF.
2. Disconnecting regulator/hose assembly from LP gas tank by turning knob counterclockwise until it is loose. **CAUTION: LP gas tank must be properly disconnected and removed prior to moving this outdoor fire pit.**
3. Place the protective cap cover on the LP gas tank and store the tank outdoors in a well-ventilated area out of direct sunlight.



Step 4: Install Ignitor Battery

- Remove Ignitor Cap from Control Panel.
- Place supplied AA battery into the Ignitor Slot with positive pole facing you.
- Position the Cap and Spring over the AA battery and tighten onto Control Panel.

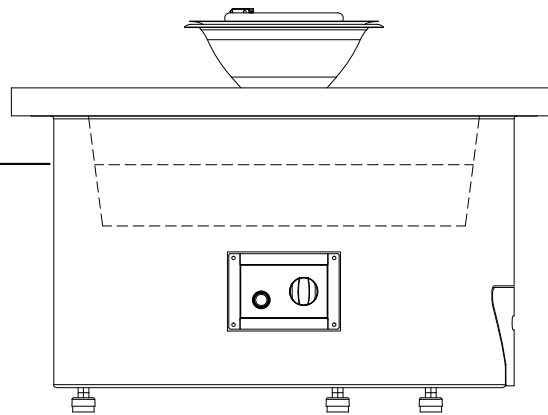


NOTE: CORRECT BATTERY USE

- Always purchase the correct size and grade of battery most suitable for the intended use.
- Replace all batteries of a set at the same time.
- Clean the battery contacts and also those of the device prior to battery installation.
- Remove batteries from equipment which is not to be used for an extended period of time.
- Remove used batteries promptly.

Step 5: Fill the water.

Fill your water basin with water $\frac{1}{2}$ full.

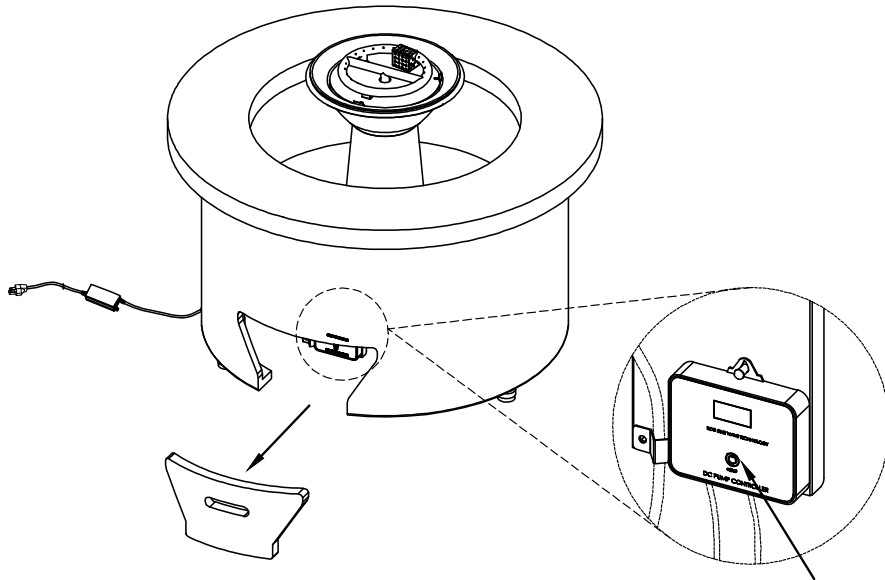


Note:

Fill your water basin with water $\frac{1}{2}$ full.

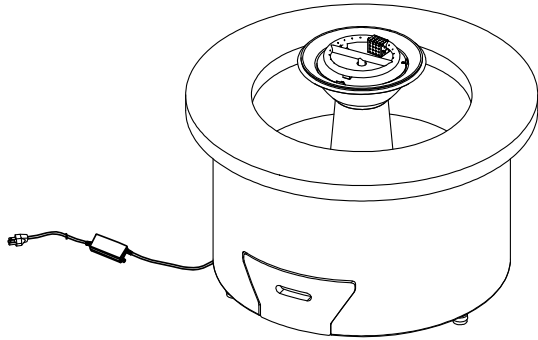
- a. Recommend to fill with external water source (watching for leaks as the basin fills).
- b. Turn pump on then off several times for a few seconds to prime the pump.
- c. Turn pump on and confirm proper water flow.
- d. Use level legs for fine tuning water flow.
- e. Never overflow the water into the water basin over half full.

Step 6: Turn on the Power.

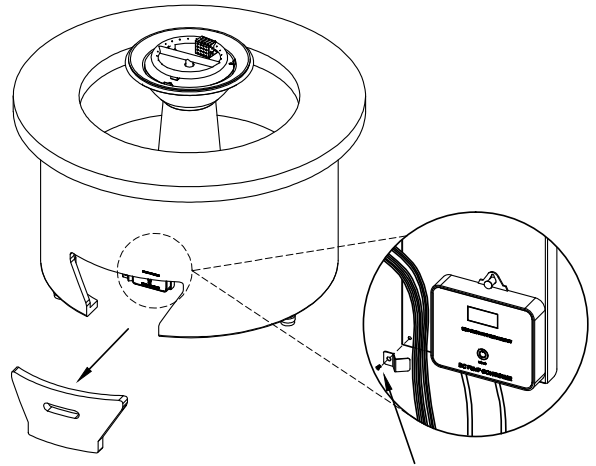


After plugging in the power, open the cover and press the switch on the control panel to turn on the water pump. The LED lights will illuminate once the unit is powered on.

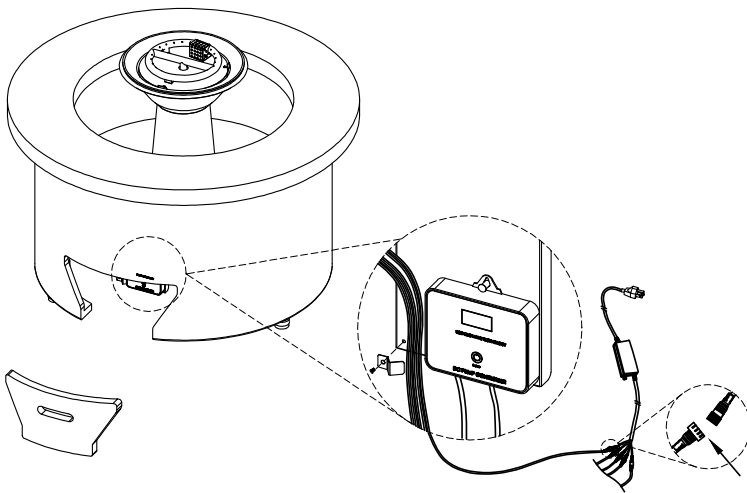
The following instructions outline the steps required to replace the LED lights when future replacement is needed.



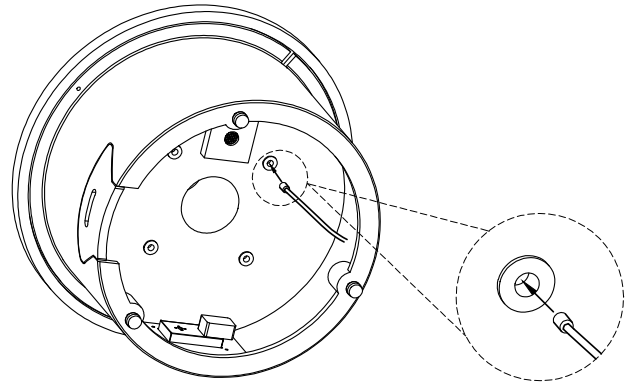
1. Unplug the power cord.



2. Open the cover plate and loosen the wire clip.



3. Unscrew the wire connector.



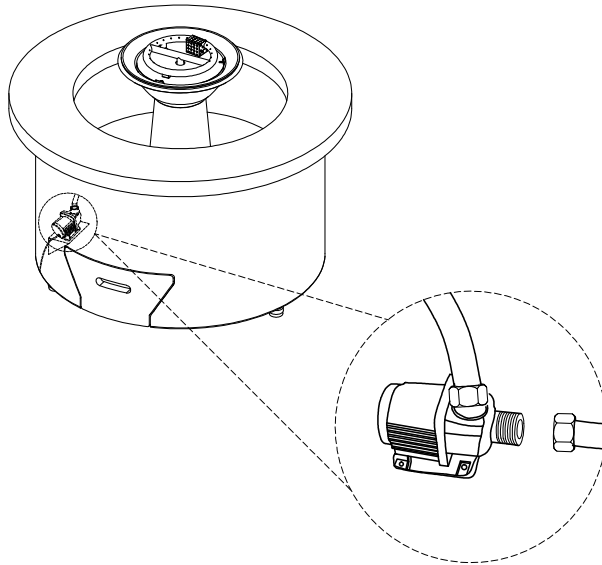
4. Pull out the LED light and replace it.

Selecting The Location & Site Preparation

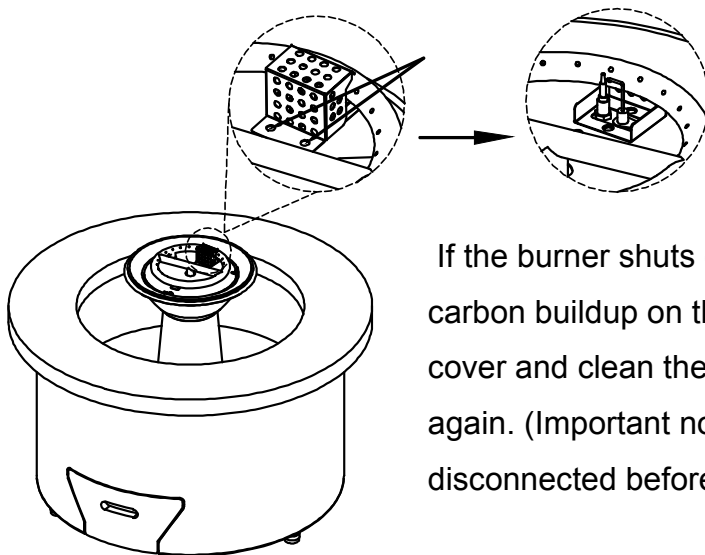
WARNING: The water basin must be supplied power via GFCI protected circuits.

WARNING: This product is not for use inside another body of water.

WARRANTY REQUIREMENT: The water basin must be properly drained and winterized in areas that drop below freezing temperatures. (Section 16)



WARRANTY REQUIREMENT: Your location must have sufficient drainage to prevent damage to surrounding surfaces. Prokan does not warranty against drips or leaks and is not responsible for any damage. It is the installer's responsibility to ensure there is enough drainage to allow for maintenance, repair, winterization or leak of the water basin.



If the burner shuts off automatically, it may be due to carbon buildup on the thermocouple. Please remove the cover and clean the thermocouple before using the burner again. (Important note: Please make sure the gas source is disconnected before the cleaning process).

Maintenance & Winterization

WARNING: Turn off Power, Gas, and Water for all maintenance activities.

WARRANTY REQUIREMENT: Do not use unapproved chemical additives to the water. Chemicals such as chlorine will reduce the pump life and void the warranty.

WARRANTY REQUIREMENT: The water feature must be winterized in areas that drop below freezing.

Water Conditioning:

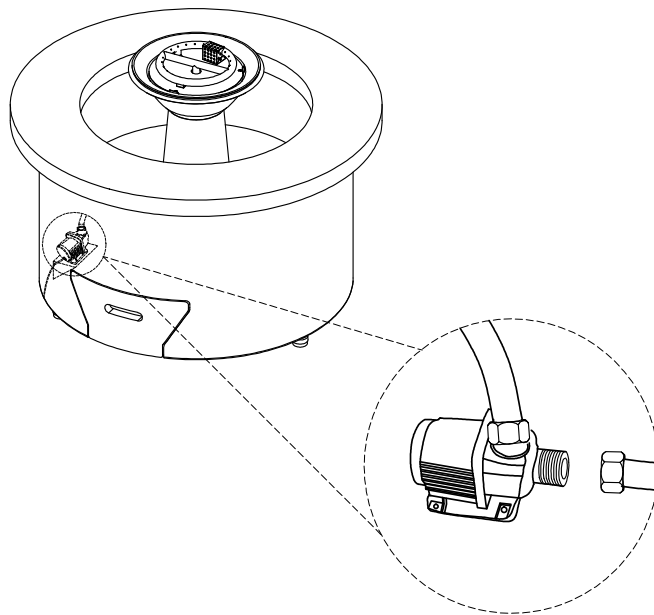
- 1) The only chemical Prokan has testing or recommends is Spa Foundations from Natural Chemistry. Apply 2 teaspoons every 6 weeks to help maintain water clarity. Your application may vary. Too much may cause foaming.

Maintenance:

- 1) The water basin must be winterized in areas that drop below freezing temperature.
- 2) Keep any debris out of water basin, water feature or optional fire pit- clean as needed.

Winterization/Drain and Cleaning:

- 1) Turn off Water, Electric and Gas for units all maintenance activities.
- 2) Open the drain and allow all water to drain into your local drain.



- 3) Ensure all water is removed from basin, bowl, pump, & water lines.
- 4) Cover Unit.

Part Diagrams and Lists

KEY	DESCRIPTION	PART#	QTY
1	Countertop	S0246-02	1
2	Cabinet	S0246-03	1
3	Door panel	S0246-04	1
4	Filter panel	S0246-01	1
5	Firebowl - inner	S0245-08	1
6	Firebowl - outer	S0245-09	1
7	Ignitor cover	S0246-23	1
8	Burner housing	S0245-12	1
9	Control panel	S0240-11	1
10	Water pump holder	S0245-29	1
11	Sealant	S0245-03	1
12	Burner	S0245-10	1
13	Fire glass	S0245-30	3KG
14	Knob	S0245-38	1
15	LED Décor light	S0246-05	4
16	Electronic Ignition	S0240-22	1
17	Valve	S0245-17	1
18	Orifice	S0245-14	1
19	Flex hose	S0245-18	1
20	Electrode	S0246-13	1
21	Thermocouple	S0246-14	1
22	Brass adaptor1	S0245-21	1
23	Brass adaptor2	S0245-22	1
24	Flex hose 1	S0245-24	1
25	Flex hose 2	S0246-15	1
26	Anti-freezing tube 1	S0246-26	1
27	Anti-freezing tube 2	S0246-17	1
28	Water pump holder	S0245-27	1
29	Transformer	S0246-19	1
30	Adjustable leg	S0240-05	3
31	Regulator	S0246-06	1
32	Brass nut	S0245-34	1
33	Lid	S0245-35	1
34	Lid handle	S0245-36	1
35	Cover	KGC0025	1
36	Propane tank storage pane- front/ rear	S0246-07	2
37	Propane tank storage pane- left/ right	S0246-08	2
38	Propane tank storage pane- top lid	S0246-09	1
39	Tank tray holder brakcet-1	S0246-10	2
40	Tank tray holder brakcet- 2	S0246-11	1
41	Hinge	S0167-44-S304	2
42	Adjustable legs	S0246-22	4
43	Thermocouple cover cap	S0246-24	1
44	Wire clip	S0246-21	1
45	Control panel	S0246-39	1

WARNING



WARNING



- This appliance, when installed, must be electrically grounded in accordance with local codes or, in the absence of local codes, with the National Electrical Code, ANSI/ NFPA 70, or the Canadian Electrical Code, CSA C22.1.
- Keep any electrical supply cord and the fuel supply hose away from any heated surfaces.



WARNING



1. Do not store or use gasoline or other flammable vapors and liquids in the vicinity of this or any other appliance.
2. For Outdoor use only



WARNING



Should a FLASHBACK fire occur in or around the Burner Tubes, follow the instructions below. Failure to comply with these instructions could result in a fire or explosion that could cause serious bodily injury, death, or property damage.

- Shut off gas supply to the gas fireplace.
- Turn the Control Knobs to OFF position.
- Do NOT try lighting any appliance.
- Put out any flame with a Class B fire extinguisher.
- Once the fireplace has cooled down, clean the Burner Tubes and Burners according to the cleaning instructions in this Use and Care Guide.



WARNING



If ignition does not occur in 5 seconds, turn the Control Knob(s) and gas source OFF and conduct a leak test as explained in the Use and Care section of this guide. If no leaks are detected, wait 5 minutes for any gas to clear and repeat the lighting procedure.



WARNING



The minimum ambient operating temperature for safe use of the appliance is 32 °F.



WARNING



- LPG models must be used with Liquid Propane Gas and the regulator assembly supplied. Natural Gas models must be used with Natural Gas only. Any attempt to convert the fireplace from one fuel type to another is extremely hazardous and will void the warranty.
- Keep gas regulator hose away from hot fireplace surfaces and dripping grease. Avoid unnecessary twisting of hose. Visually inspect hose prior to each use for cuts, cracks, excessive wear or other damage. If the hose appears damaged do not use the gas fireplace. Call 1-877-419-2598; email: email:support@1800acs.com; prokansupport@1800acs.com for a certified replacement hose.
- **State of California Proposition 65 Warnings:**
 - ⚠ **WARNING:** This product can expose you to chemicals including carbon monoxide, soot, lead, and lead component, which are known to the State of California to cause cancer and birth defects or other reproductive harm. For more information go to www.P65Warnings.ca.gov.
- **Never use charcoal** or lighter fluid in this gas fireplace. Failure to comply with these instructions could result in a grease fire or explosion that could cause serious bodily injury, death or property damage.
- **Before each use of your fireplace:** Inspect the Grease Tray, Flame Tamer and inside of the Fireplace Bowl to be sure there is no excessive grease and debris buildup. Clean the Grease Tray, Flame Tamer and inside of the Grill Bowl frequently to eliminate grease/ debris build-up and to prevent grease fires. **Failure to comply with these instructions could result in a grease fire and even a subsequent explosion that could cause serious bodily injury, death or property damage.**



WARNING



Never store flammable liquids or materials in the drawer(s). Failure to comply with these instructions could result in a fire or explosion that could cause serious bodily injury, death, or property damage.



DANGER



Do not use an open flame to check for gas leaks. Be sure there are no sparks or open flames in the area while you check for gas leaks. This will result in a fire or explosion which can cause serious bodily injury or death, and damage to property.



DANGER



WHAT TO DO IF YOU SMELL GAS.

1. Do not try to light any appliance.
2. Do not touch any electrical switch; do not use any phone in your building.
3. Immediately call your gas supplier from a neighbor's phone. Follow the gas supplier's instructions.
4. If you cannot reach your gas supplier, call the fire department.



DANGER



NEVER cover slots, holes, or passages in the fireplace bowl bottom or cover an entire rack with material such as aluminum foil. Doing so blocks air flow through the fireplace and may cause carbon monoxide poisoning. Aluminum foil linings may trap heat causing a fire hazard. If the instructions above are not followed exactly, a fire may causing death or serious injury.

Troubleshooting

1) Troubleshooting

Below are some potential causes and countermeasures to the symptoms indicated in bold. If still unable to resolve issue, please contact your retailer or certified technician.

WARNING:

1. Not Enough Water. Your unit has a low-level sensor and will not run with low water level.
2. No power. Ensure there is power to the unit.
3. Defective Pump. Replace Pump.

Problem	Possible Cause	Correction action
Fountain is not pumping water.	The water level is too low.	Add more water to the water bowl.
	Pump or fountain is blocked.	Disconnect fountain from power source, remove any obstruction, and clean bowl and tubing.
	Pump is not secured correctly.	Disconnect fountain from power source, pour out any remaining water, and ensure the tubings are tightly secured to the pump outlet.
	Pump is not electrically connected.	Check to make sure pump is plugged in and the outlet is working. Also, make sure the power is turn on.
	Pump may be "air locked."	Plug and unplug the pump several times to clear any air that may have been trapped.
	This fountain comes with a thermal protection pump. The pump will shut off automatically when it overheats due to there being no water in the water bowl.	The pump will restart after several minutes once the pump body has cooled. This cycle will continue until there is sufficient water in the water bowl.

Troubleshooting



Problem	Possible Cause	Prevention/Cure
Burner will not light with match.	No gas flow.	Check if LP gas tank is empty. a. If empty, exchange, refill or replace LP gas tank . b. If LP gas tank is not empty, refer to "Sudden drop in gas flow or reduced flame height" (see below).
	LP gas tank is low or empty.	Exchange, refill or replace LP gas tank.
	LP gas leak.	1. Turn LP gas tank valve to "CLOSED". 2. Wait 5 minutes for gas to clear. 3. Follow "Checking for Leaks" section.
	Coupling nut and regulator not fully connected.	Turn the coupling nut about one-half to three-quarters additional turn until solid stop. Tighten by hand only - do NOT use tools.
	Obstruction of gas flow.	1. Clear burner/venturi tube. 2. Check for bent or kinked hose.
	Disengagement of burner to valve.	Re-engage burner and valve.
	Spider webs or insect nest in burner/venturi tube.	Clean burner/venturi tube.
	Burner ports clogged or blocked.	Clean burner ports.
Sudden drop in gas flow or reduced flame height.	Out of gas.	Exchange, refill or replace LP gas tank.
	Overfilling prevention device may have been activated.	1. Turn control knob to "OFF". 2. Wait 30 seconds and light outdoor fireplace per "Lighting" section. 3. If flames are still too low, reset the overfilling prevention device: a. Turn control knob(s) "OFF". b. Turn LP gas tank valve to "CLOSED". c. Disconnect regulator. d. Turn control knobs to "ON". e. Wait one minute. f. Turn control knobs to "OFF". g. Reconnect regulator and leak check connections, being careful not to fully open valve. h. Light outdoor fireplace per "Lighting" section.
Irregular flame pattern flame does not run the full length of burner.	Burner ports are clogged or blocked.	Clean burner ports.
Flame is yellow or orange.	New burner may have residual manufacturing oils.	Burn outdoor fireplace for 15 minutes and re-inspect.
	Spider webs or insect nest in burner/venturi tube.	Clean burner/venturi tube.
	Poor alignment of valve to burner/venturi tube.	Ensure burner/venturi tube is properly engaged with valve.
Flame goes out.	High or gusting winds.	Do not use outdoor fireplace in high winds.
	Low on LP gas.	Exchange, refill or replace LP gas tank.
	Excess flow valve tripped.	Refer to "Sudden drop in gas flow or reduced flame height".
Flashback (fire in venturi/burner tube(s))	Burner and/or burner/venturi tube is blocked.	Clean burner and/or burner/venturi tube.
Flame seems to lose heat when burning in cold weather - temperature below 50°F.	Ice has built up on the outside of the LP gas tank because the vaporization process is too slow.	1. Turn off per "Turning Off" section. 2. Replace with a spare LP gas tank. 3. Reconnect LP gas tank per "Installing LP Gas Tank" section. 4. Follow "Checking for Leaks" section. 5. Light outdoor fireplace per "Lighting" section.

Care & Use Instructions

CORRECT LP GAS TANK USE



- LP Gas fireplace models are designed for use with a standard 20 lb. Liquid Propane Gas (LP Gas) tank (sold separately). **Never** connect your gas fireplace to an LP Gas tank that exceeds this capacity. A tank of approximately 12 inches in diameter by 18-1/2 inches high is the maximum size LP Gas tank to use. **You must use an "OPD" gas tank which offers a listed Overfill Prevention Device.** This safety feature prevents tank from being overfilled which can cause a malfunction of the LP Gas tank.
- The LP Gas tank must be constructed and marked in accordance with the Specifications for LP-Gas Cylinders of the U.S. Department of Transportation (D.O.T.) or the National Standard of Canada, CAN/CSA-B339, Cylinders, Spheres and Tubes for Transportation of Dangerous Goods; and Commission, as applicable.
- The LP Gas tank must have a shutoff valve, terminating in an LP Gas supply tank valve outlet, that is compatible with a Type 1 tank connection device. The LP Gas tank must also have a safety relief device that has a direct connection with the vapor space of the tank.
- The tank supply system must be arranged for vapor withdrawal.
- The LP Gas tank must have a collar to protect the tank valve.
- Never connect an unregulated LP gas tank to your gas fireplace. The gas regulator assembly supplied with your gas fireplace is adjusted to have an outlet pressure of 11" water column (W.C.) for connection to an LP gas tank. Only use the regulator and hose assembly supplied with your gas fireplace. Replacement hose and regulator assembly must be identical to those listed in the parts list of this Operator's Manual as specified by the Manufacturer.
- Have your LP Gas dealer check the release valve after every filling to ensure it remains free of defects.
- Always keep LP Gas tank in upright position.
- Do not subject the LP Gas tank to excessive heat.
- Never store an LP Gas tank indoors. If you store your gas grill in the garage always disconnect the LP Gas tank first and store it safely outside.
- LP Gas tanks must be stored outdoors in a well-ventilated area and out of the reach of children.
- Disconnected LP Gas tanks must not be stored in a building, garage or any other enclosed area.
- The regulator and hose assembly can be seen after opening the right cabinet door and must be inspected before each use of the fireplace. If there is excessive abrasion or wear or if the hose is cut, it must be replaced prior to using the fireplace again
- Any attempt to convert the fireplace from one fuel type to another is extremely hazardous and must be performed by a qualified gas technician only, using a NG Conversion Kit purchased from Manufacturer.
- Never light your gas fireplace with the lid closed or before checking to ensure the burner tubes are fully seated over the gas valve orifices.
- Never allow children to operate your fireplace. Do not allow children or pets to play near your fireplace. Always supervise children and pets if they are in the vicinity of the unit.

- Use of alcohol, prescription or non-prescription drugs can impair your ability to properly assemble and safely operate your fireplace.
- Keep fire extinguisher readily accessible. In the event of a oil/ grease fire, do not attempt to extinguish with water. Use type B extinguisher or smother with dirt, sand or baking soda.
- In the event of rain, turn off the burners and gas supply. Wait for the fireplace to cool, and then place a cover on it.
- Use your grill on a level, stable surface in an area clear of combustible materials.
- Do not leave fireplace unattended when in use.
- Do not move the appliance when in use.
- Allow the fireplace to cool before moving or storing.
- Do not use your fireplace as a heater.
- This fireplace is not intended to be installed in or on recreational vehicles and/ or boats.
- The fireplace is not intended for commercial use.
- Never use charcoal or lighter fluid in this fireplace.
- Please protect your fireplace with fireplace cover when not in use. keep in mind that only use the cover when fireplace is in cold condition.

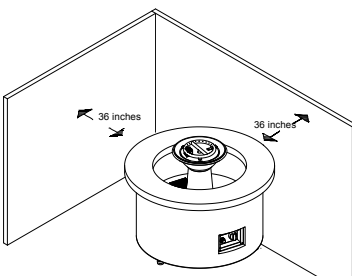
 **CAUTION** 

A. Do not store a spare LP-Gas tank under or near this appliance.

B. Never fill the tank beyond 80 percent full; and If the information in "(a)" and "(b)" is not followed exactly, a fire causing death or serious injury may occur.

 **CAUTION** 

- Use your fireplace at least 36 inches away from any wall or surface & 48 inches from top.
- Use your fireplace 36 inches away from any combustible objects that can melt or catch fire such as vinyl or wood siding, fences, overhangs (See Diagram Be-low), or any other sources of ignition; including pilot lights and live electrical appliances.
- Do not use your fireplace under any overhead combustible construction.
- Never use your gas fireplace in a garage, porch, shed, breezeway, or any other enclosed area.
- In windy conditions, always position the front of the fireplace to face oncoming wind to reduce heat and smoke blowing in your face, and to prevent potential hazards to yourself and the fireplace.



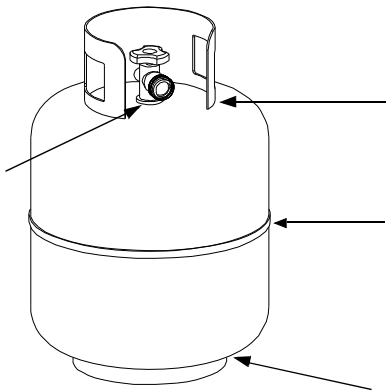
Care & Use Instructions

NOTE about LP Gas Tank Exchange Programs

- Many retailers who sell fireplaces offer you the option of re-placing your empty LP Gas tank through an exchange service. Use only those reputable exchange companies that inspect, precision fill, test, and certify their tanks. Exchange your tank only for an OPD safety feature-equipped tank as described in the LP Gas tank section of this Guide.
- Always keep new and exchanged LP Gas tanks in an up-right position during use, transit or storage.
- Leak test new and exchanged LP Gas tanks BEFORE connecting one to your fireplace.

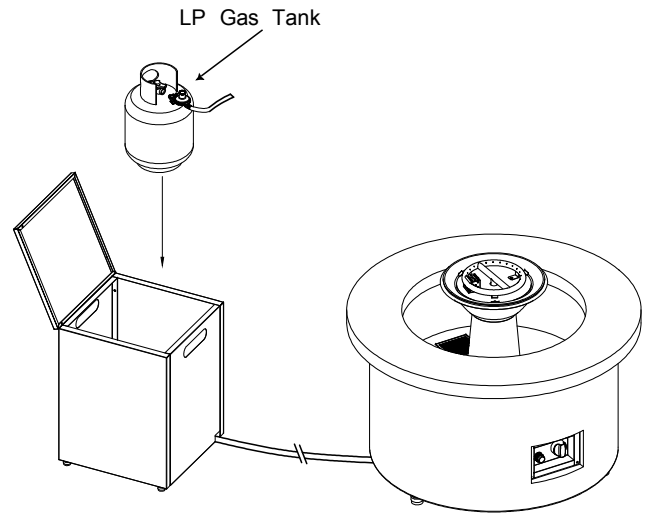
How to Leak Test your LP Gas Tank For your safety:

- All leak tests must be repeated each time your LP Gas tank is exchanged or refilled.
- When checking for gas leaks do not smoke. Do not use an open flame to check for gas leaks.
- Your fireplace must be leak tested outdoors in a well-venti-lated area, away from ignition sources such as gas fired or electrical appliances. During the leak test, keep your fireplace away from open flames or sparks.
- Do not use household cleaning agents. Damage to gas assembly components can result.
 - Use a clean paintbrush and a 50/ 50 mild soap and water solution.
 - Brush soapy solution onto LP Gas tank in the areas indicated by the arrows. See diagram.
 - If growing bubbles appear do not use or move the LP Gas tank. Call an LP Gas Supplier or your Fire Department.



LP Gas Model only: To Secure a 20lb LP Gas Tank to tank storage

- Turn your LP Gas Tank Valve clockwise to the closed or OFF position.
- Open the door.
- Place LP Gas Tank into the Fuel Gauge Set on the right cabinet.
- Install the Tank so the Tank Valve faces the front left corner of Right Cabinet.
- Attach the Regulator with Hose to the gas tank. (Refer to the Regulator connection section on page 16)
- Set the Gas Tank securely on the tank storage and tighten the wing bolt.



CAUTION

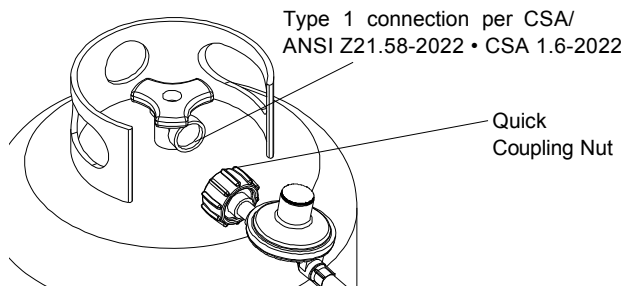


If growing bubbles appear do not use or move the LP Gas tank. Contact an LP Gas Supplier or your fire department!

Care & Use Instructions

LP Gas Model only: Connect Regulator with Hose to your LP Gas Tank

- Turn all Burner Valves to the OFF position.
- Inspect the valve connection port and regulator assembly for damage or debris. Remove any debris. Never use damaged or plugged equipment.
- Connect the regulator assembly to the tank valve and HAND TIGHTEN nut clockwise to a full stop. DO NOT use a wrench to tighten because it could damage the Quick Coupling Nut and result in a gas leak/fire hazard.
- Open the tank valve (counterclockwise) 1/4 to 1/2 of a full turn, and use a soapy water solution to check all connections for leaks before attempting to light your grill. See "Check all connections for LP Gas Leaks". If a leak is found, turn the tank valve off and do not use your grill until the leak is repaired.



CAUTION: When the appliance is not in use, the gas must be turned off at the tank. Place dust cap on cylinder valve outlet whenever the cylinder is not in use. Only install the type of dust cap on the cylinder valve outlet that is provided with the cylinder valve. Other types of caps or plugs may result in leakage of propane.

CAUTION

If you have a gas leak that cannot be repaired by tightening, turn off the gas at the source, disconnect fuel line from your fireplace and call 1-877-419-2598 ; or your gas supplier for repair assistance.

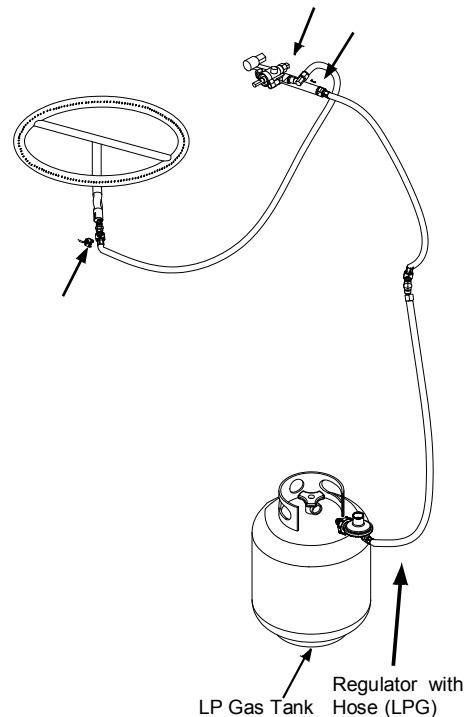
CAUTION

1. Do not store spare LP cylinder within 10 feet (3m) of this appliance.
2. Do not store or use gasoline or other flammable liquids and vapors within 25 feet (8m) of this appliance.
3. When cooking with oil/grease, do not allow the oil/ grease to get hotter 350° F (177°C)
4. Do not leave oil/grease unattended.

Check all connections for LP Gas Leaks

Never test for leaks with an open flame. Prior to first use, at the beginning of each season, or every time your LP Gas tank is changed, you must check for gas leaks. Follow these three steps:

- Make a soap solution by mixing one part liquid detergent and one part water.
- Turn the grill Control Knobs to the full OFF position, then turn the gas ON at source.
- Apply the soap solution to all gas connections indicated by the arrows. See diagram. If bubbles appear in the soap solution the connections are not properly sealed. Check each fitting and tighten or repair as necessary.



Disconnecting A Liquid Propane Gas (LPG) Tank From Your Grill

- Make sure the Burner Valves and LP Gas tank valve are off. (Turn clockwise to close.)
- Detach the hose and regulator assembly from the LP Gas tank valve by turning the Quick Coupling Nut counterclockwise. Do not use a wrench or any tools when turning the Quick Coupling Nut.



CAUTION

Failure to read and follow the Use and Care Instructions could result in a fire or explosion that could cause serious bodily injury, death or prop-erty damage.

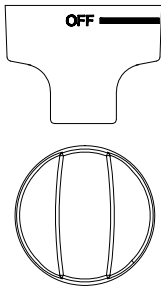
Care & Use Instructions

Main Burner Lighting Instructions

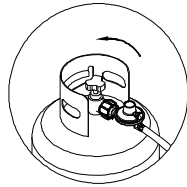
1. Before each use, check all hoses for cracks, nicks, cuts, burns or abrasions. If a hose is damaged in any way, do not use your fireplace before replacing the hose with an authorized part from the Parts List. Also make sure all gas supply connections are securely tightened.
2. Familiarize yourself with all Safety and Use and Care instructions in this manual. Do not smoke while lighting your fireplace or when checking the gas supply connections.
3. Be sure that the LP Gas tank is filled.
4. Open the Grill Lid before lighting.

	CAUTION	
<p>Failure to replace a faulty hose, secure gas supply connections or to open the Lid before proceeding to the Lighting Procedures could result in a fire or explosion that could cause serious bodily injury, death, or property damage.</p>		

5. Set Control Knobs to OFF and open the LP Gas tank valve **SLOWLY 1/4-1/2 of a full turn.**



Open LP Gas tank



7. If ignition does not occur in 5 seconds, turn the Burner Control(s) off, wait 5 minutes, and repeat the lighting procedure. If ignition still does not occur, turn the burner control(s) and gas source OFF. Wait 5 minutes for gas to clear and then conduct a leak test of ALL gas connections and gas sources as explained in the Use and Care section of this manual. If no leaks are detected, wait 5 minutes for any gas to clear and repeat the lighting procedure.
8. After one Burner is lit, turn the tank valve SLOWLY one more 1/4 of a turn.

Care & Use Instructions

Cleaning the burner tubes and burner ports.

To reduce the chance of **FLASHBACK FIRE** you must clean the Burner Tubes as follows at least once a month in summer and fall or whenever spiders are active in your area, and if your fireplace has not been used for an extended period of time.

1. Turn all Burner Valves to the full OFF position.
2. Turn the LP Gas tank valve to the full OFF position.
3. Detach the LP Gas regulator assembly from your gas tank.
4. Remove the Cooking Grids, Cooking Rack/Secondary, Flame Tamer and Grease Tray from your fireplace.
5. Remove the screws from the rear of each Main and Searing Burner using a Phillips Head Screwdriver.
6. Carefully lift each Burner up and away from the Gas Valve Orifice.
7. Check and clean burner/venturi tubes for insects and insect nests. A clogged tube can lead to a fire beneath the fireplace.
8. Refer to **Figure 1** and perform one of these three cleaning methods:

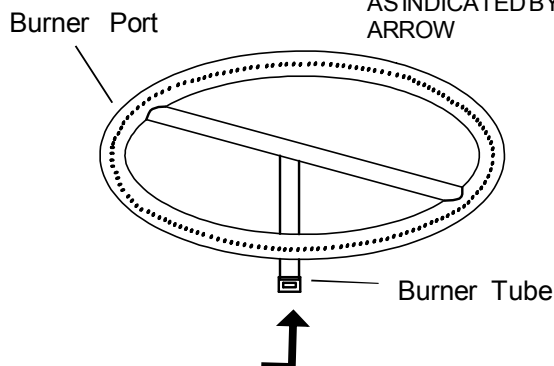
- METHOD 1: Bend a stiff wire or wire coat hanger into a small hook as shown and run the hook through the Burner Tube and inside the Burner several times to remove debris.



- METHOD 2: Use a bottle brush with a flexible handle and run the brush through the Burner Tube and inside the Burner several times to remove any debris
- METHOD 3: Use an air hose to force air through each Burner Tube. The forced air should pass debris or obstructions through the Burner and out the Ports.

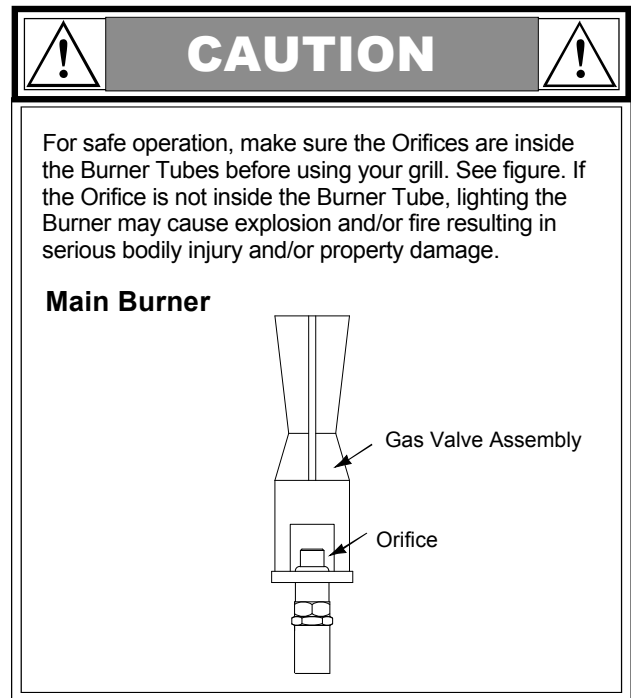
Figure 1

TO CLEAN BURNER TUBE, INSERT HOOK AS INDICATED BY THE ARROW



Regardless of which Burner cleaning procedure you use, we recommend that you also complete the following cleaning regimens to help prolong Burner life.

- After each use of the main fireplace or searing cooking zone it is necessary to burn off food particles and drippings which can clog Burner ports and reduce Burner performance. OPEN the fireplace Lid, ignite the burner(s) and operate fireplace on / (IGN/HIGH) setting for 10 to 15 minutes.
- Use a nylon brush, blower or vacuum to remove accumulated ash from the outer surface of each Burner. Clogged tube style Burner ports can be cleaned with a stiff wire, such as an open paper clip. **DO NOT** use a stiff brush or sharp tool of any type on the searing burner.
- Inspect each Burner for damage (cracks or holes) and if such damage is found, order and install a new Burner. After installation, check to ensure that the Gas Valve Orifices are correctly placed inside the ends of the Burner Tubes. Also check the position of your Spark Electrode.



Storage Instructions

Storage Instructions

Aquaflame European ledge Water and Fire Pit	<ol style="list-style-type: none">1. Shut off the gas at the tank.2. Disconnect the tank and store it in an upright position in an outdoor space away from dryer and furnace vents and play areas.3. Coat the burners and other metal parts with cooking oil to repel moisture that can build up over the winter and to prevent rust.4. Make sure to put on the fireplace cover when the fireplace is in a cool condition. NEVER put on the fireplace cover when the fireplace is still hot.5. Clean the fireplace, and keep the fireplace out of moisture and cooking residue on the stainless surface before put on the grill cover to prevent your fireplace from getting rust. (NEVER put on the fireplace cover when the fireplace is still wet.)
---	--

SPECIFICATIONS

Models/Finish	Aquaflame European ledge Water and Fire Pit
Main Burners	30,000 BTU/ HR
Dimensions (L × W × H)	38 × 38 × 29.7 in.
Warranty	1-year limited

Limited Warranty

Should you encounter any problem,
Please contact us first.

DON'T Return the product to the store.

We can help.

For assistance, contact customer service at support@1800acs.com; prokansupport@1800acs.com or call 1-877-419-2598 Monday through Friday from 8:00 a.m. to 8:00 p.m. EST.

Please note that the limited warranty is given to and covers the Original purchaser only and such coverage is not transferable. The proof of purchase may be required when limited warranty service is occurred.

The limited warranty is limited to replacement of parts, at the manufacturer's option that proved to be defective from manufacturing failure with the manufacturer's examination. The limited warranty doesn't cover any failures or operating difficulties due to accident, abuse, misuse, alternation or modification, misapplication, vandalism, improper installation, maintenance or service, damages caused by flashback fires or grease fire, as set out in this operation manual.

Deterioration or damage due to severe weather conditions such as fail, hurricane, earthquakes, tsunami, tornadoes, Acts of God or terrorism, discoloration due to exposure to chemicals either directly or in the atmosphere, is not covered by this limited warranty.

How to order replacement parts:

Please refer to the parts list on this instruction manual. To make sure you obtain the replacement parts for your fireplace, the following information is required to assure the correct parts.

For parts and service, please provide the following information:

- Name
- Serial Number
- Parts number/ description of parts needed
- Shipping address
- Phone number
- Pictures of the overall product
- Pictures of the part or issue
- Proof of Date of purchase and/ or picture of receipt

Limited Warranty Restrictions

- This limited warranty is non-transferable.
- This limited warranty is void if fireplace is used for commercial or rental purposes.
- This fireplace is safety certified for use only in the county where purchased, Modification for use in any other location is a safety hazard and will void the limited warranty.

Warranty

This product is covered by the Sam's Club Member Satisfaction Guarantee.

This product component has a 1 year guarantee against defects in material and/ or workmanship. If you have any questions regarding the limited warranty or spare/ replacement parts, please call our toll-free number

1-877-419-2598 or email us at prokansupport@1800acs.com

NOTE: Please consider recycling all applicable packaging material.

FCC Statement

NOTE: This equipment has been tested and found to comply with the limits for a Class B digital device, pursuant to Part 15 of the FCC Rules. These limits are designed to provide reasonable protection against harmful interference in a residential installation. This equipment generates, uses and can radiate radio frequency energy and, if not installed and used in accordance with the instructions, may cause harmful interference to radio communications. However, there is no guarantee that interference will not occur in a particular installation. If this equipment does cause harmful interference to radio or television reception, which can be determined by turning the equipment off and on, the user is encouraged to try to correct the interference by one or more of the following measures:

- Reorient or relocate the receiving antenna.
- Increase the separation between the equipment and receiver.
- Connect the equipment into an outlet on a circuit different from that to which the receiver is connected.
- Consult the dealer or an experienced radio/TV technician for help.

This device complies with part 15 of the FCC Rules. Operation is subject to the following two conditions: (1) This device may not cause harmful interference, and (2) this device must accept any interference received, including interference that may cause undesired operation.

Model ID: ACFFT38-LP-A

Product Description: Aquaflame water and fire pit ACS

4198 Industry Way

Flowery Branch GA 30542

Phone: 1-877-419-2598

Contact Information:

Manufacturer:Zhuhai Prokan Relaxation
Equipment Co., LTD

Adress:Ningtang INDUSTRIAL AREA OF
Tangjiawan TOWN, ZHUHAI, GUANGDONG,
CHINA

www.prokangrills.com