

## CARE AND MAINTENANCE

Never use abrasive or acid-based cleaners on the shelf rack.

Clean shelves and rods with a solution of mild detergent and water .Use a soft cloth or sponge to wipe parts.Rinse and dry thoroughly.Keep surfaces dry and clean for a longer lasting finish.

## NOTICE

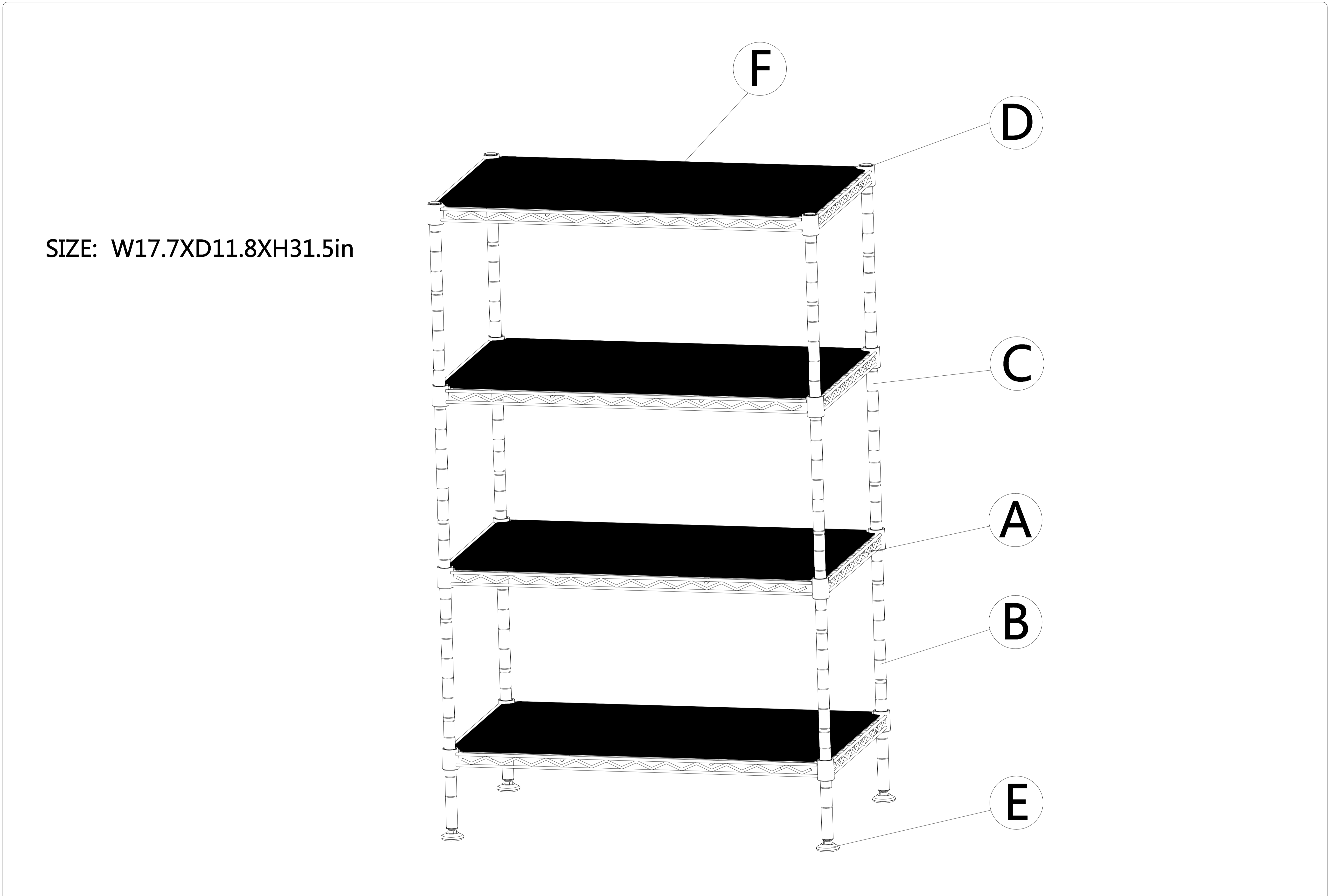
Please read and understand these instructions before attempting to assemble,operate or install the product.

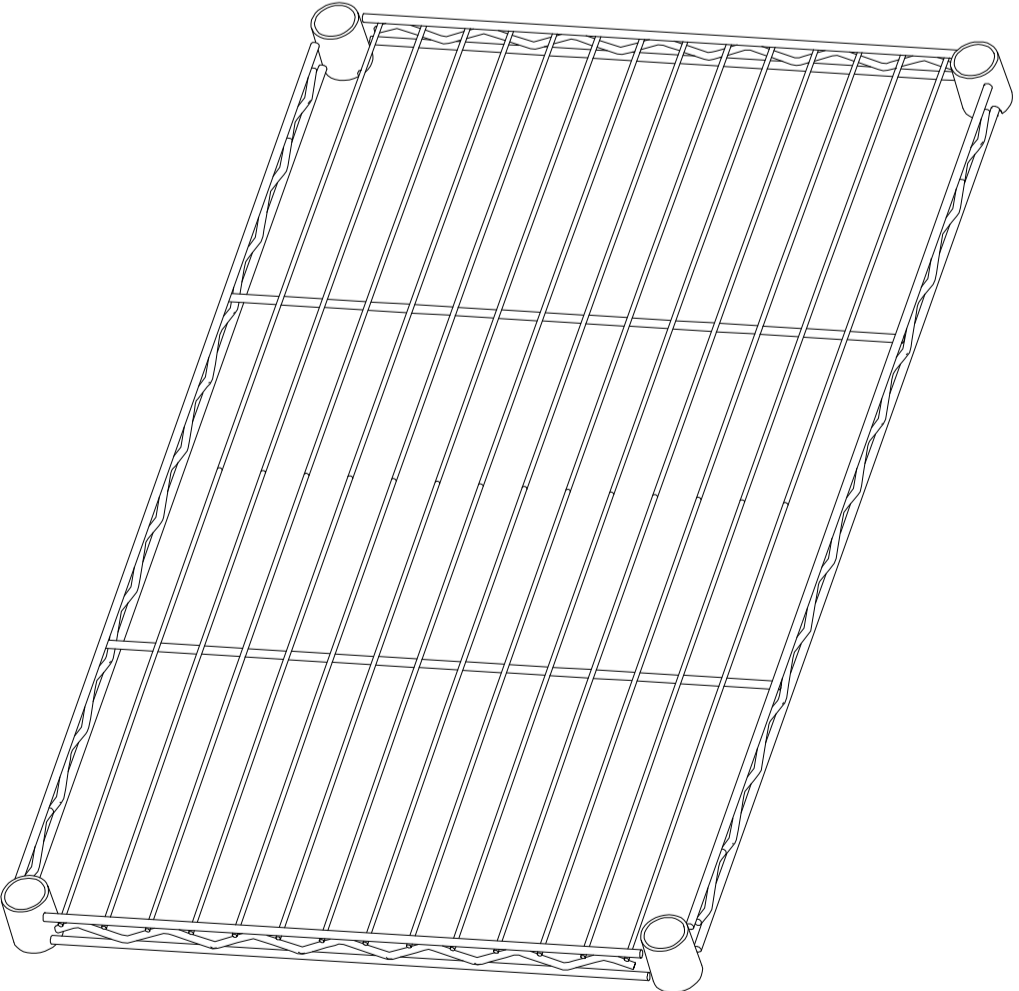
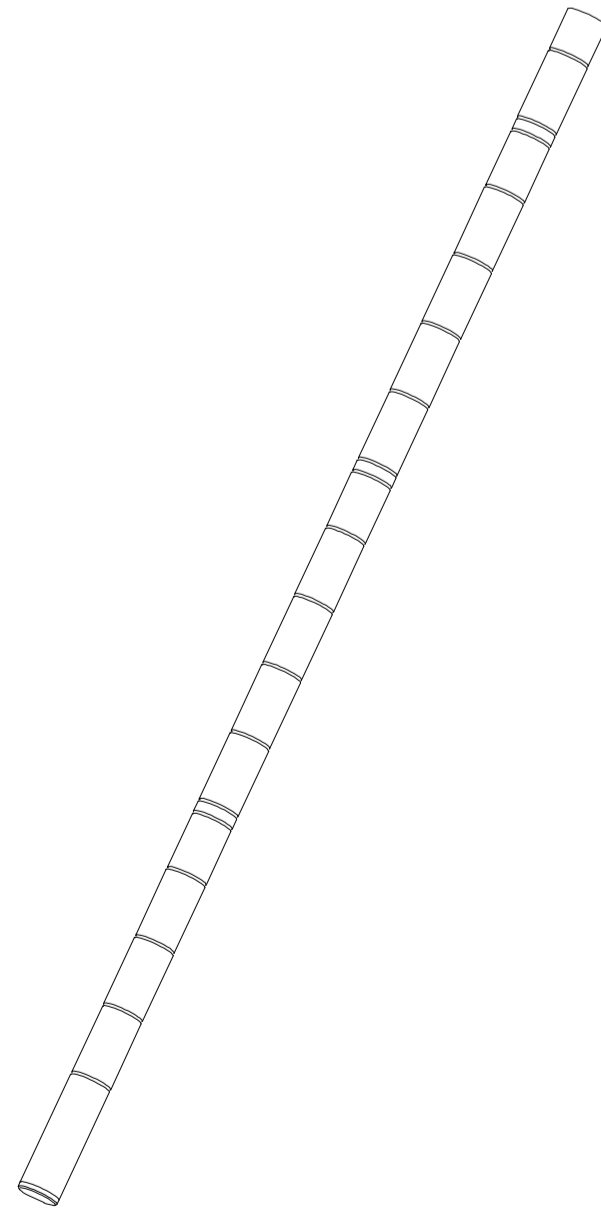
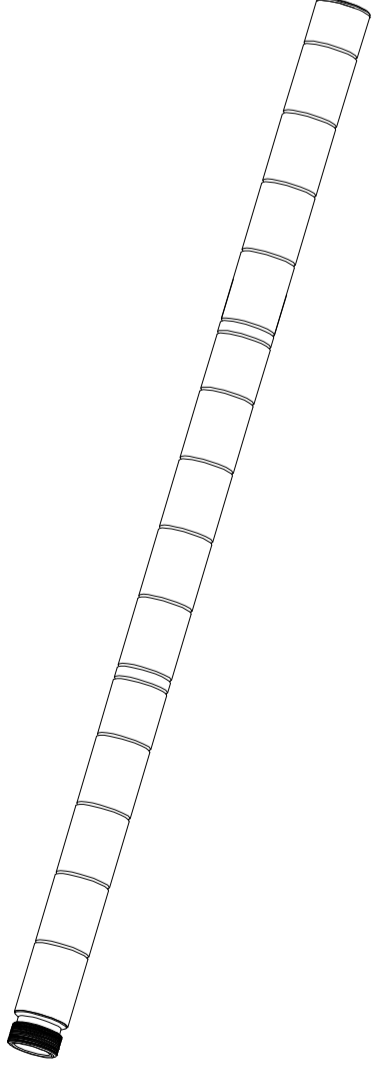
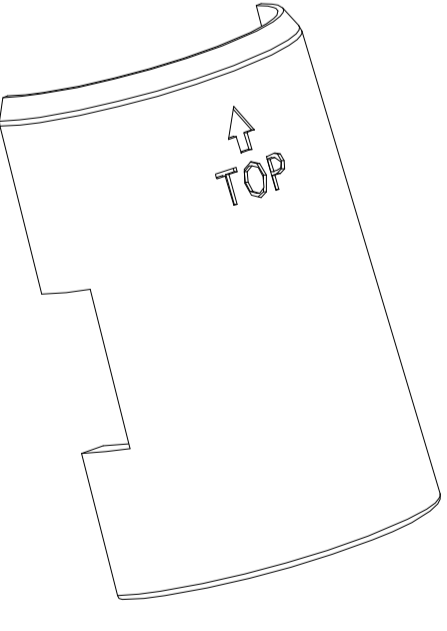
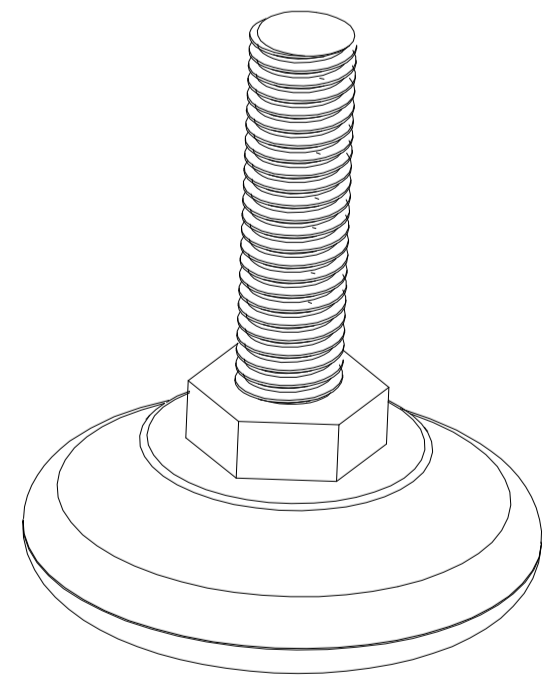
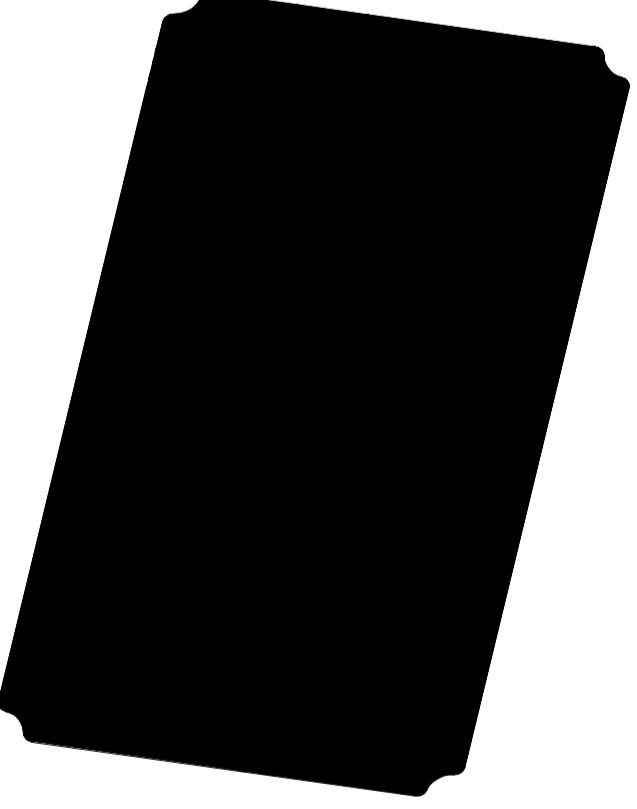
-Two adults required for a assembly.

-Do not allow children to climb or play in or around the shelves .

-Each shelf holds up to 88 lbs.When items are evenly distributed.

-Assemble on a soft surface,such as carpeting to avoid scratching the finish .



No.	A	B	C	D	E	F
Name	Wire Shelf	Lower Pole	Upper Pole	Plastic Clip	Adjustable Feet	PP Mat
Parts						
Quantity	4PCS	4PCS	4PCS	32PCS	4PCS	4PCS

## PREPARATION

1.Before beginning assembly of product,make sure all parts are present.Compare parts with package contents list and hardware contents .If any parts is missing or damaged,do not attempt to assemble the product .

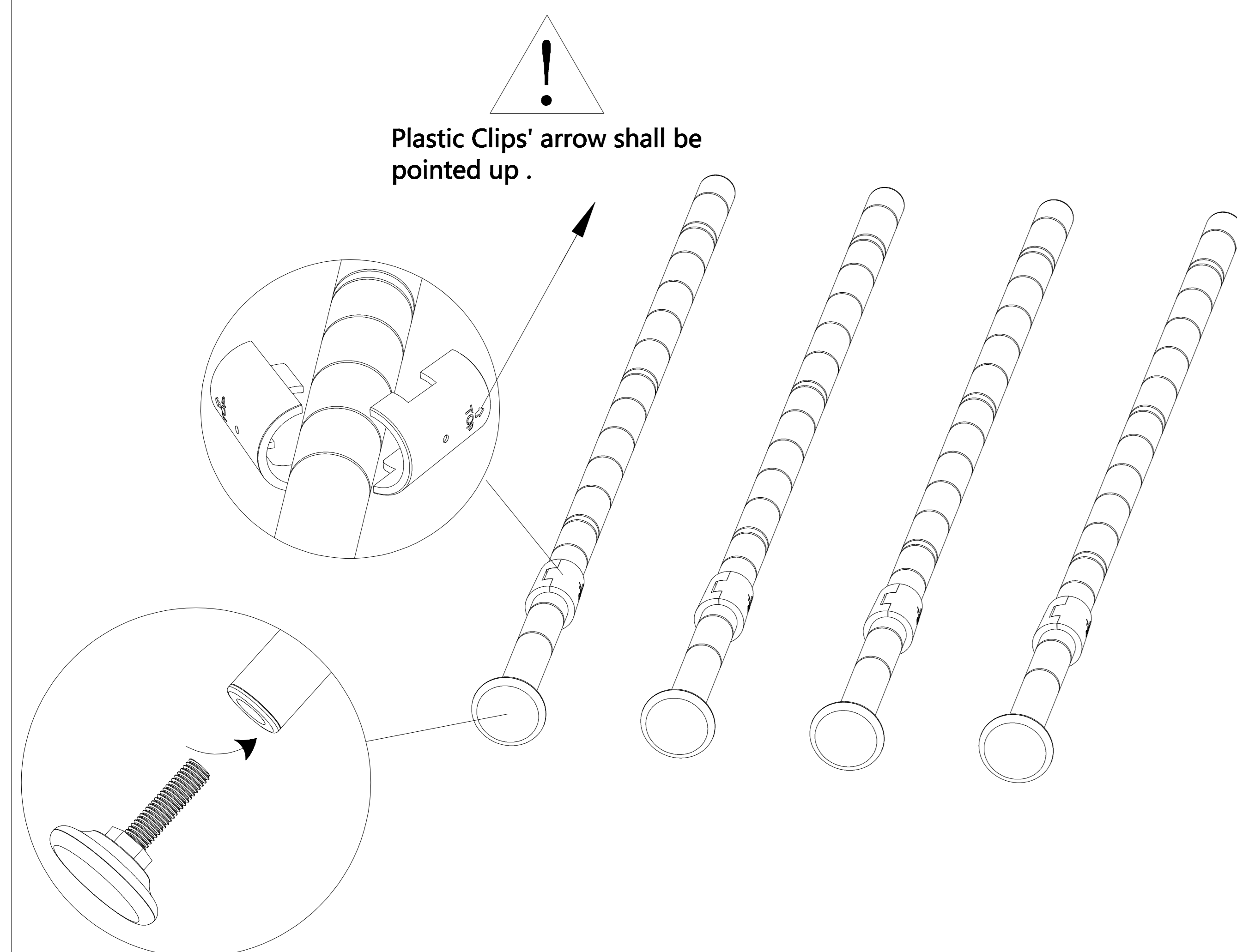
2.Estimated Assembly Time :Approximately 15-20 minutes.

3.Helpful Tools(not included ):Rubber Mallet.

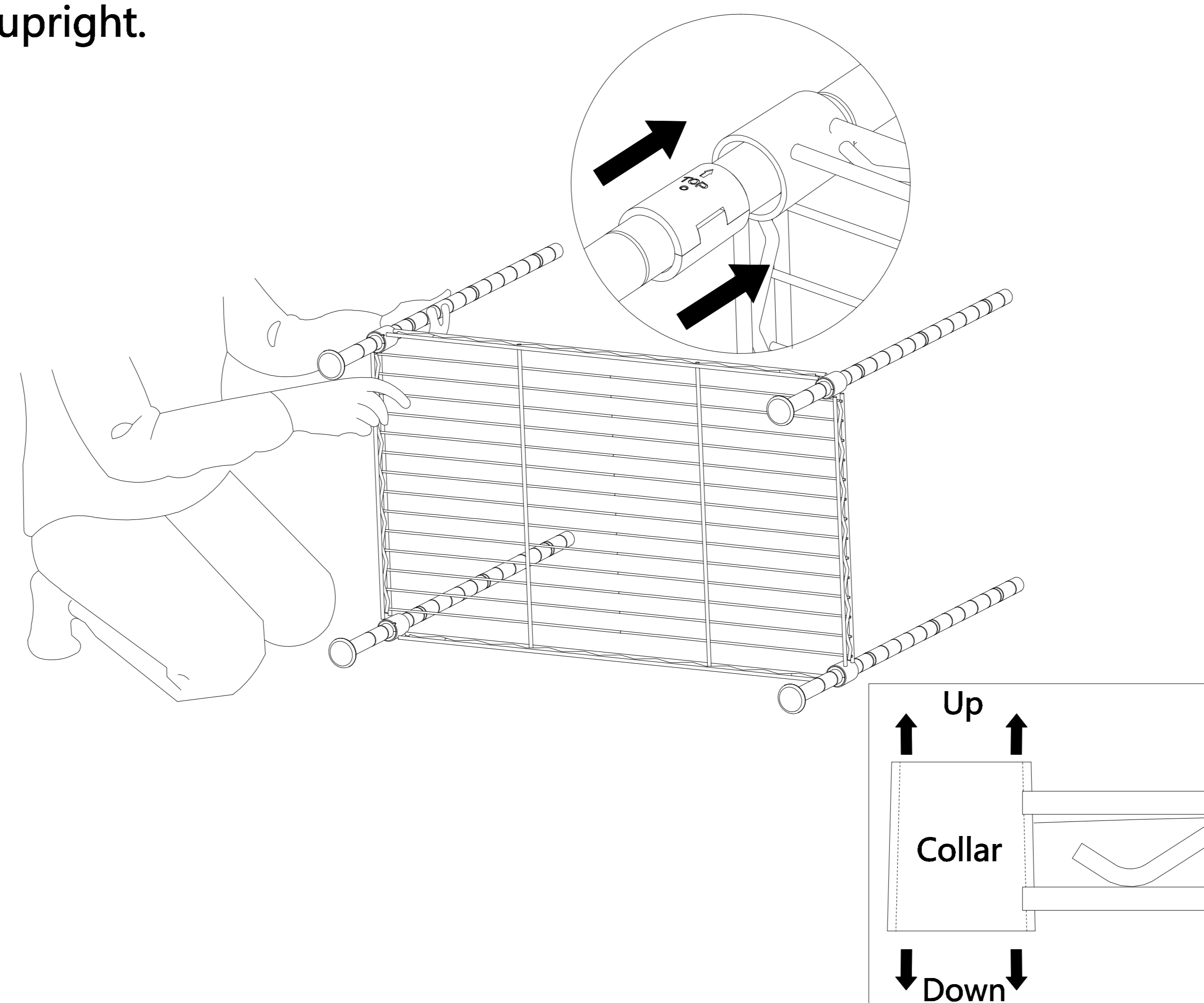
4.No Tools Required for Assembly.

# Assembly Steps:

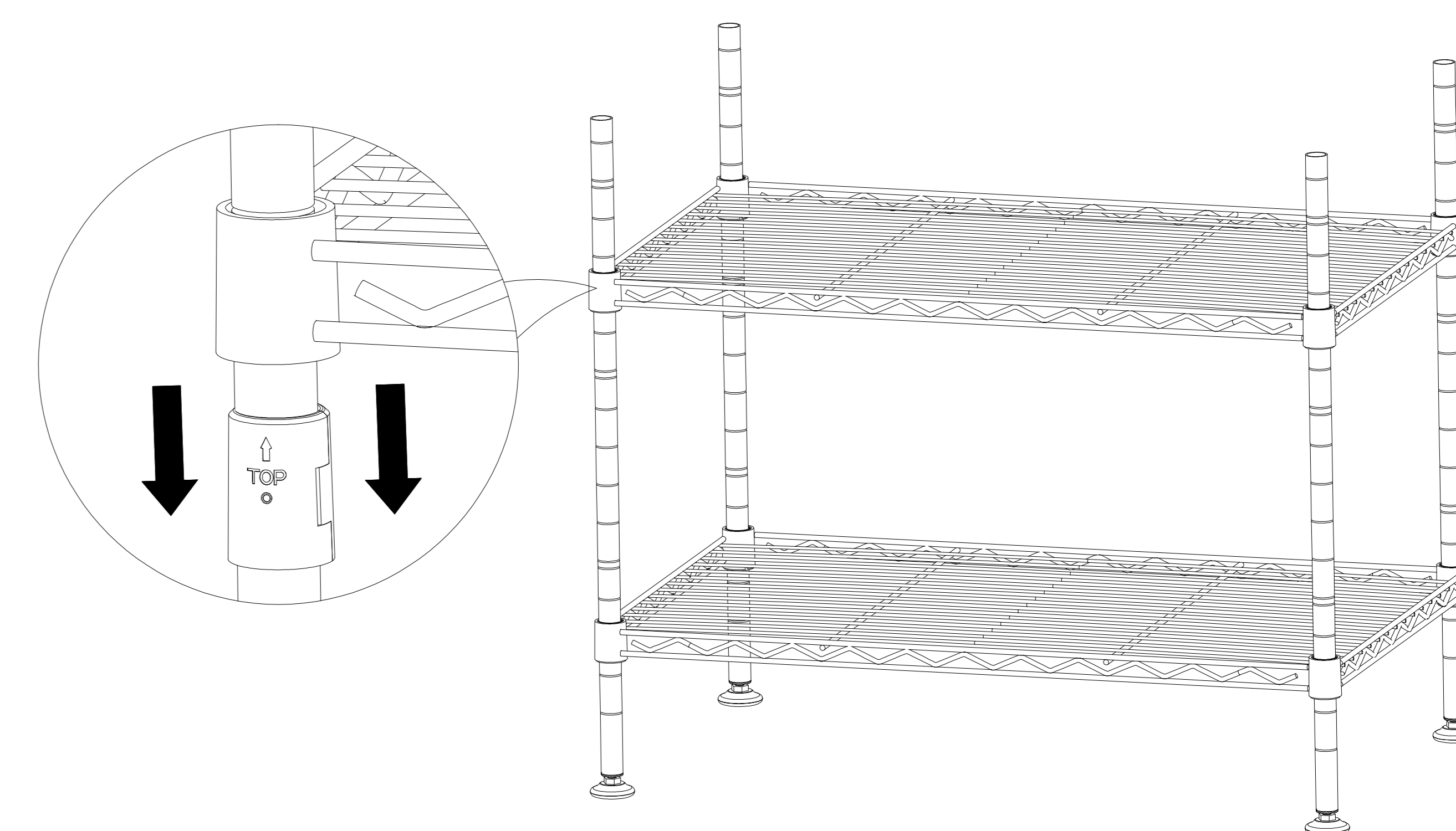
- 1** Screw four Leveling Foot(E) into the bottom of four Lower Pole(B), Snap the Plastic Clips(D) into the grooves of four lower pole at your desired position for first shelf Assembly. Make sure the arrow of plastic clips are pointed up.



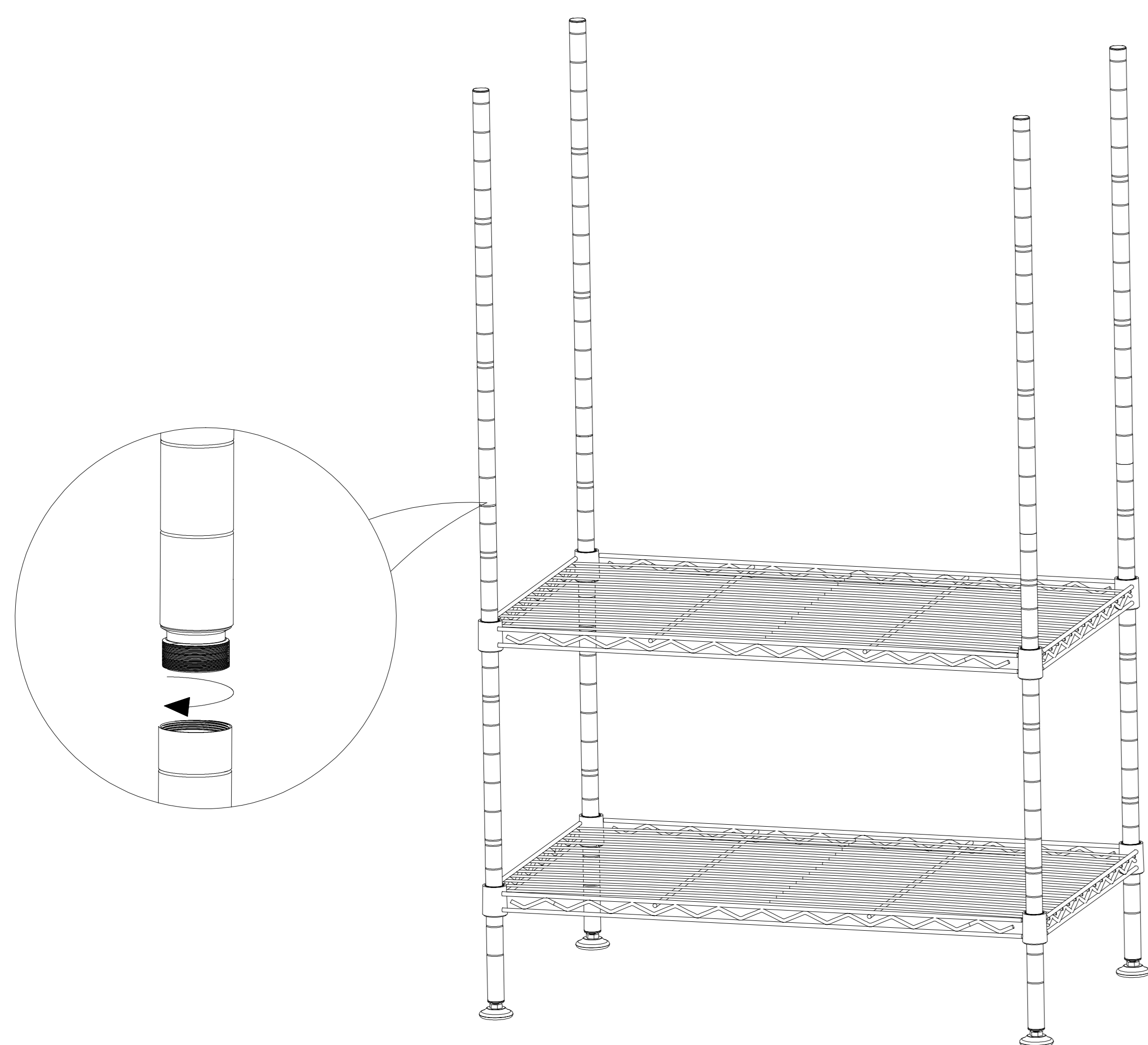
- 2** Please make sure that you have the Wire Shelf(A) the correct way up, hold the wire shelf on its side and slide the top of four lower poles through the bottom of the wire shelf at its corners until there is a snug fit, and then set the wire shelf upright.



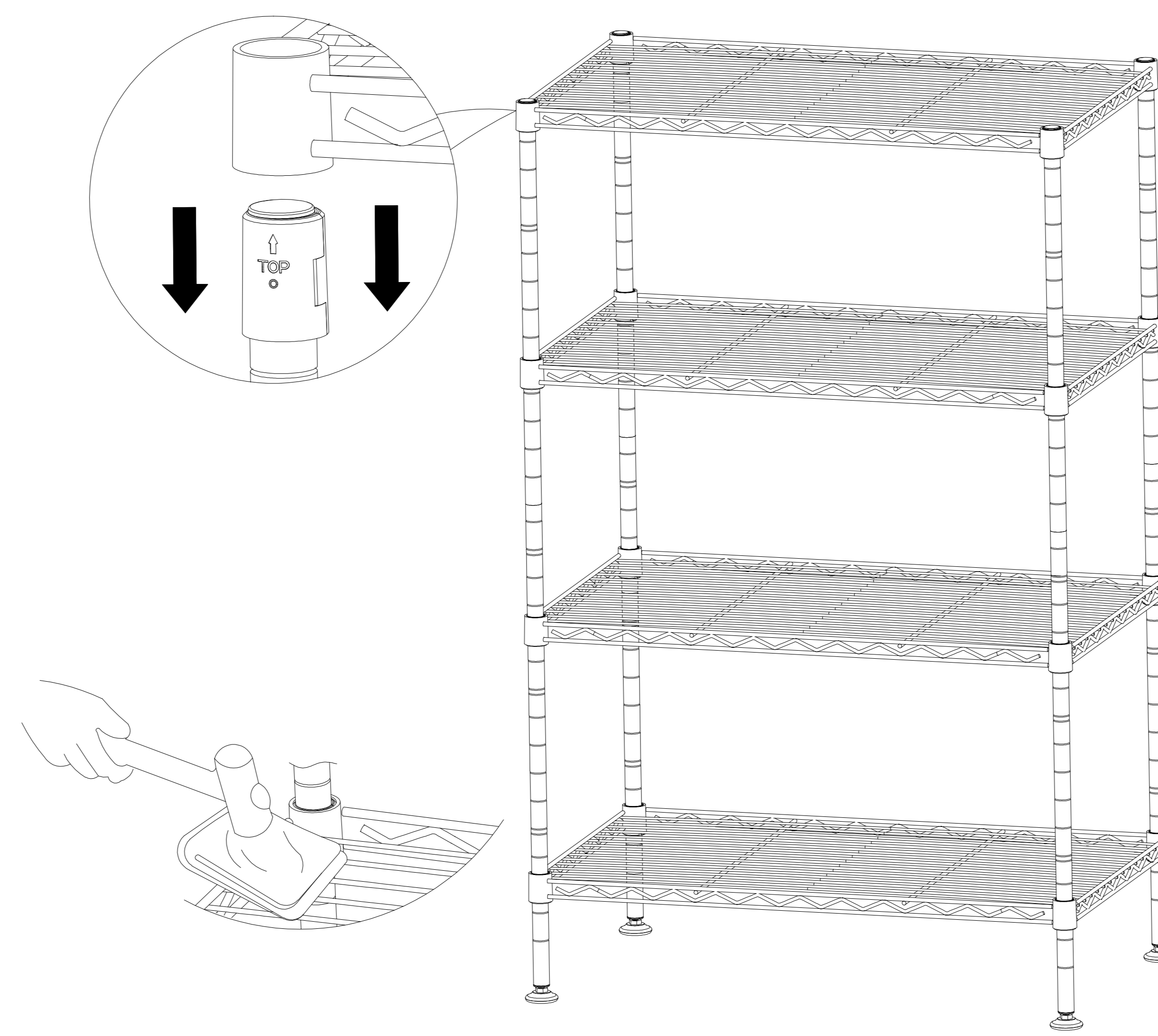
- 3** Repeat the step 1 and the step 2 to assemble the 2nd wire shelf as the photo.



- 4** Screw Upper Poles(C) into lower poles by the connector which is already assembled on the upper poles.



- 5** Repeat the step 1 and the step 2 to assemble the 3rd and the 4th wire shelf as the photo. Then pushing firmly down on every wire shelf at corners by rubber mallet to secure the wire shelf in a place over the plastic clips.



- 6** Screwing the Leveling Feet in or out to attain proper leveling. And then put the PP Mat(F) as the photo.

