




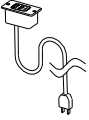

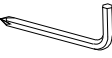




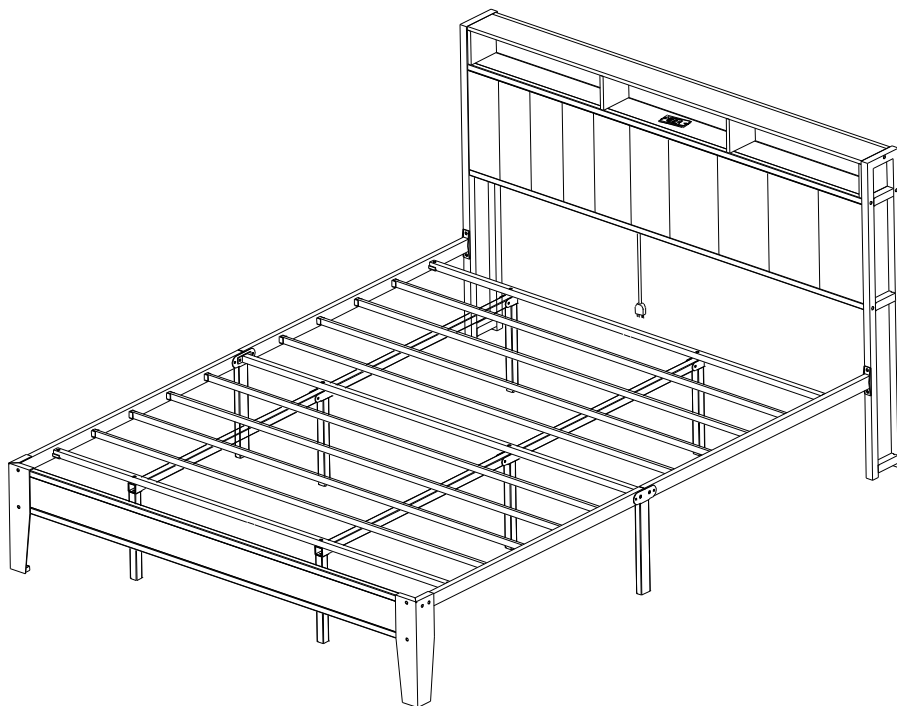


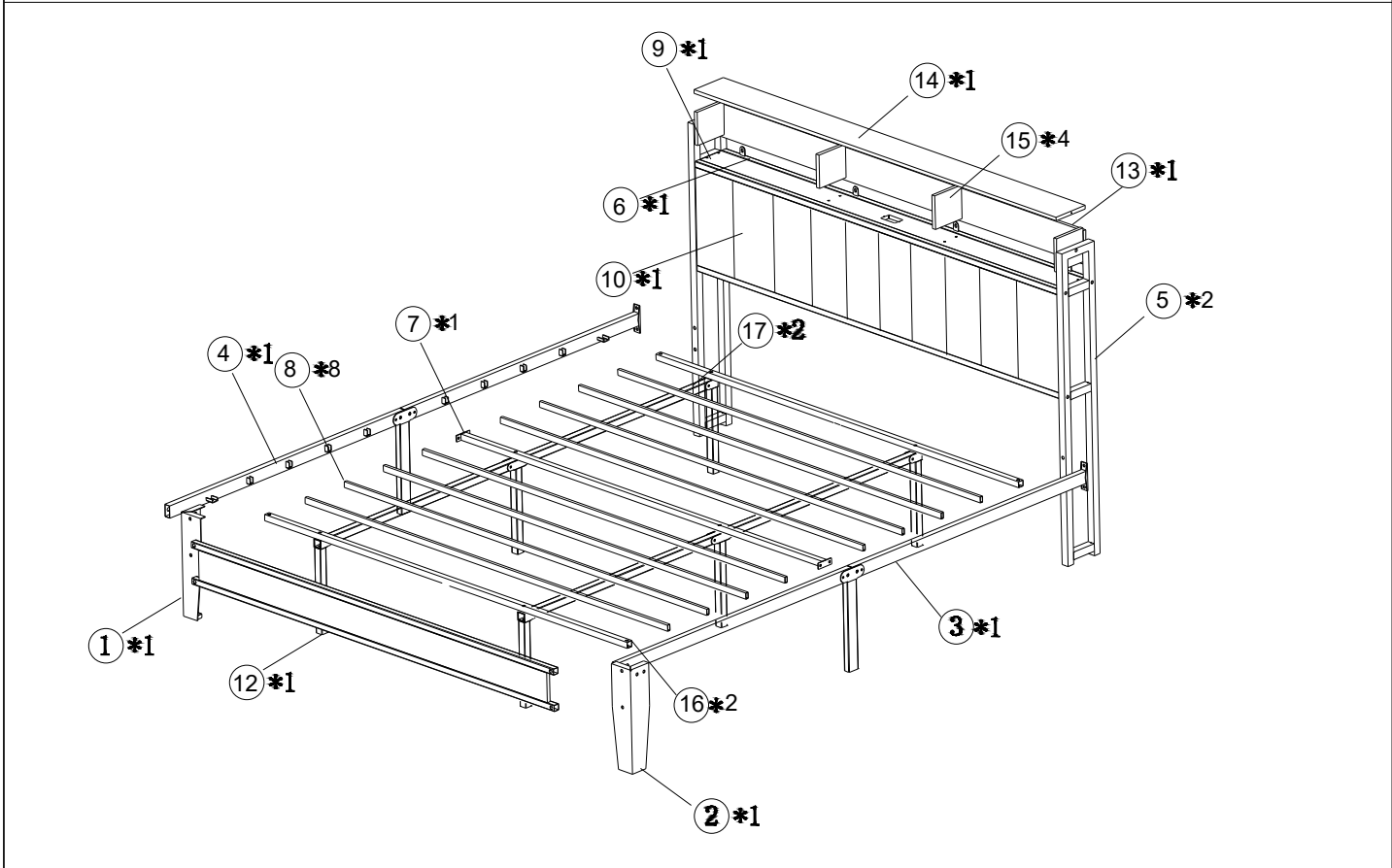
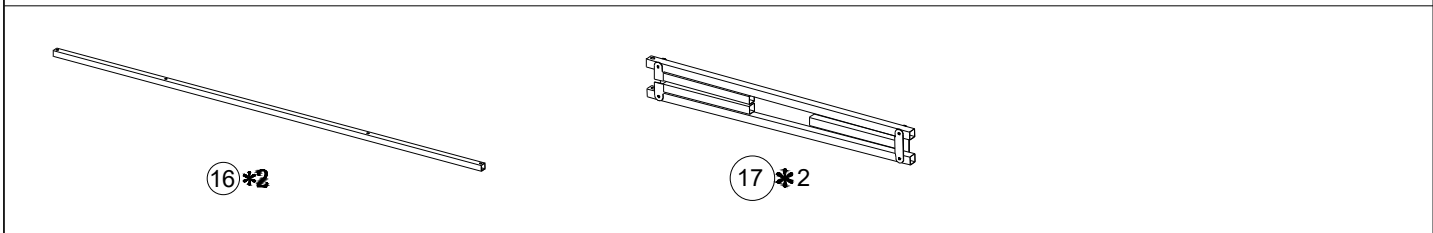
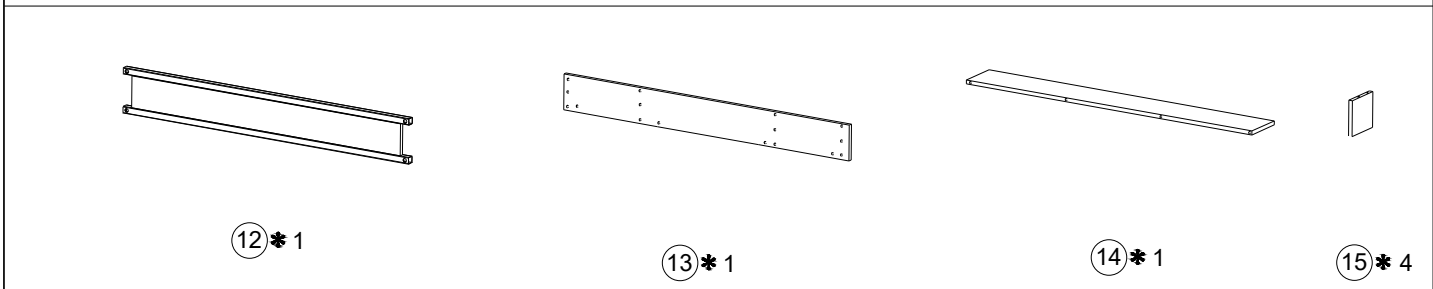
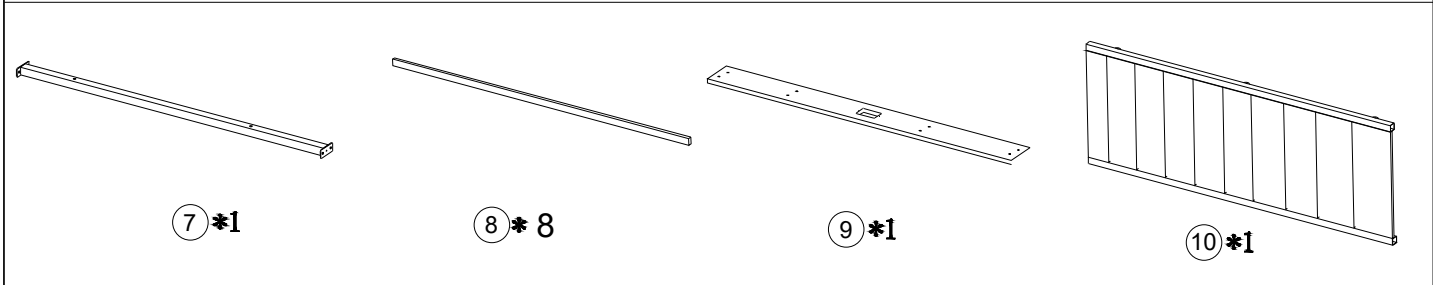
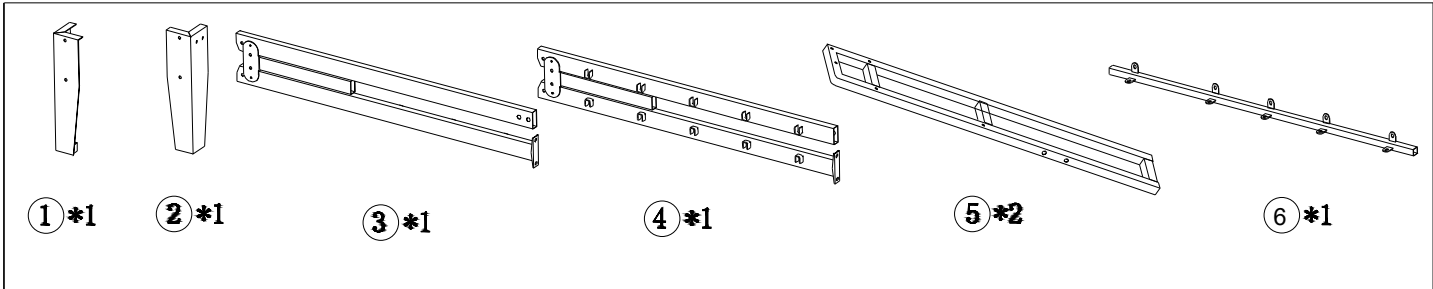
Platform Bed Set-up Instruction

 A*14 M8*40	 B*15 M6*10	 C*22 Ø5X40L	 D*2 Φ 3*10	 E *8 M8*20	 N*1	 3#
 4#	 M*4 M8	 *1	 G*6 M8*55	 H *4 M8*35		

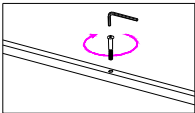
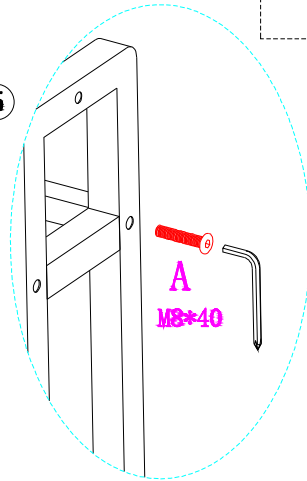
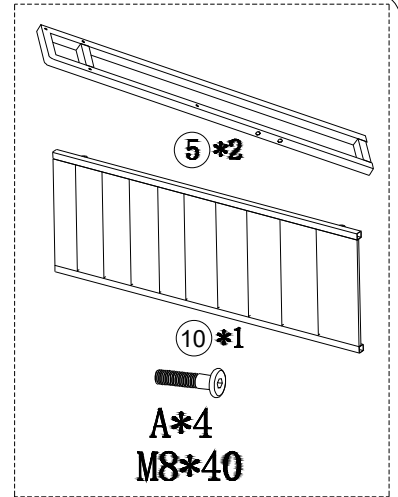
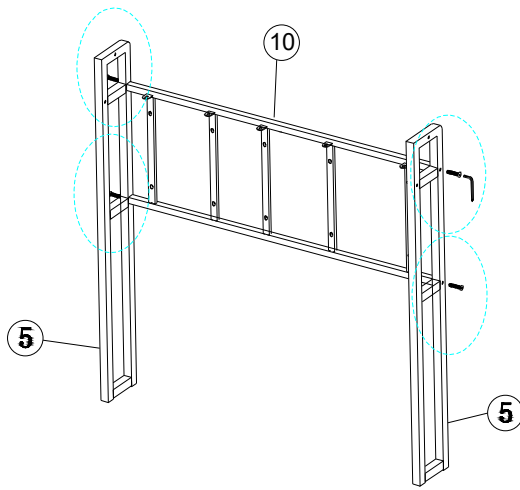


Size:BG06- K/CK

If you have any questions about the product, please don't hesitate to contact us.
You can reach us through your order. Thanks for your support!

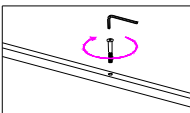
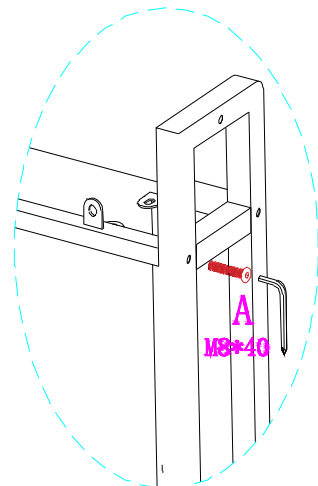
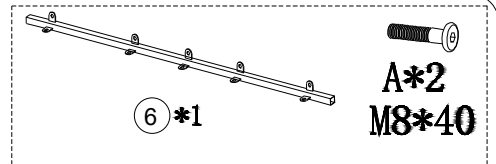
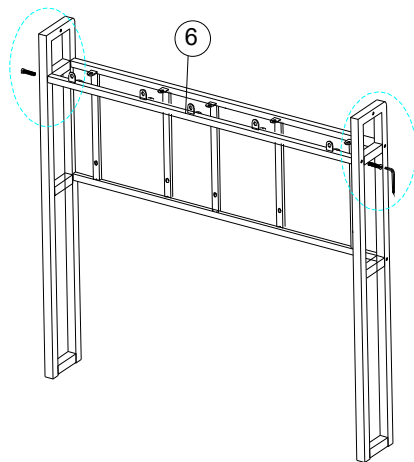


Step1



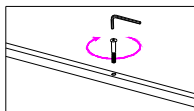
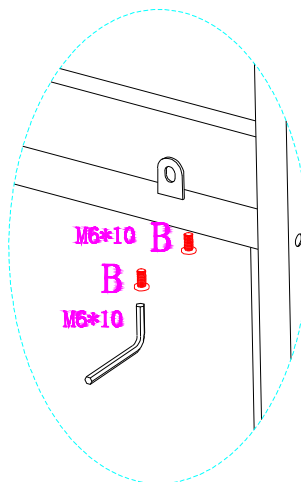
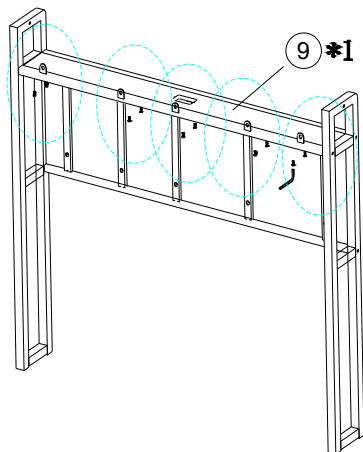
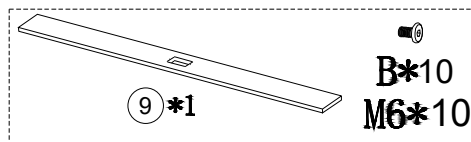
⚠ Do not fully tighten the screws yet.


Step2



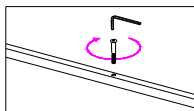
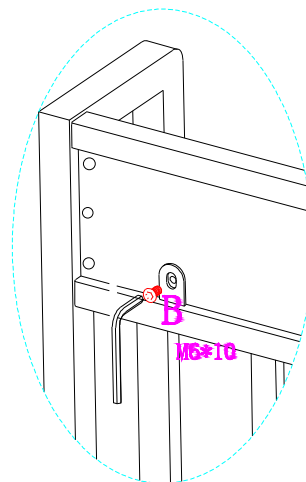
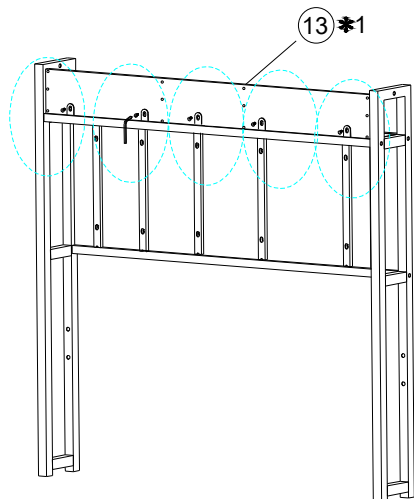
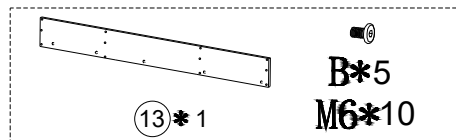
⚠ Fully tighten all the screws


Step3



 Do not fully tighten the screws yet.

Step4

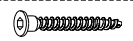


 Do not fully tighten the screws yet.

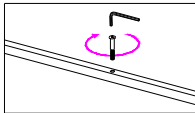
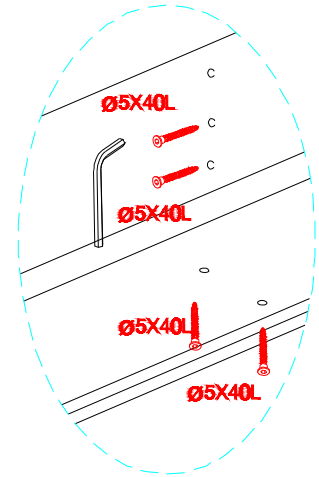
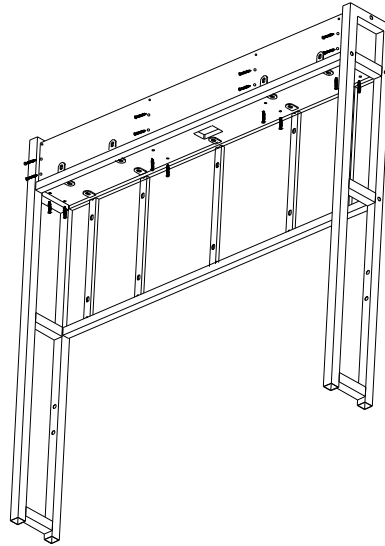
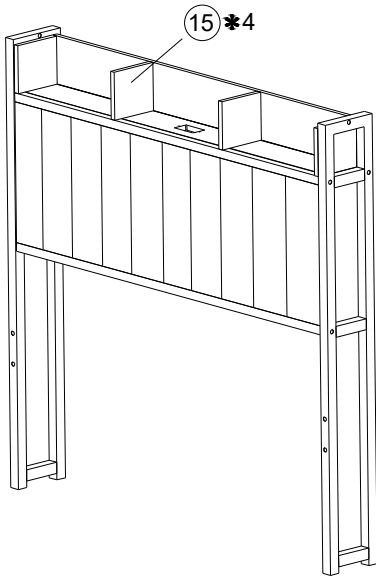
Step5




(15)*4



C*16
Ø5X40L

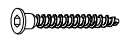


 Do not fully tighten the screws yet.

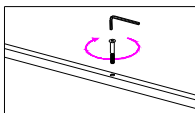
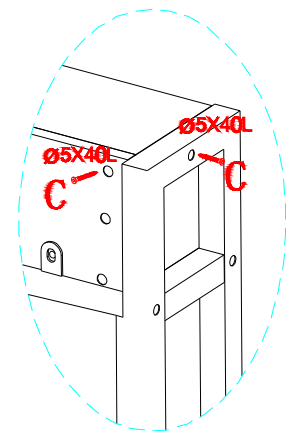
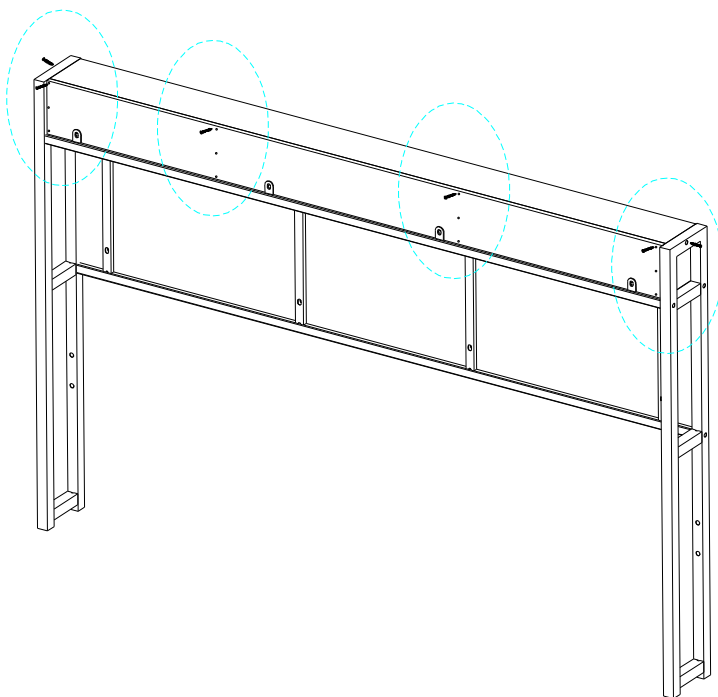
Step6




(14)*1

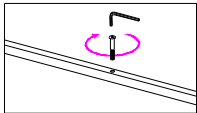
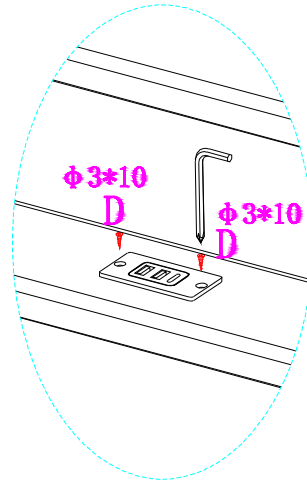
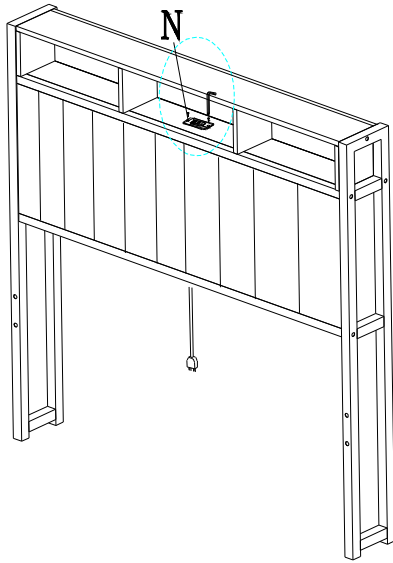
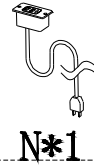


C*6
Ø5X40L



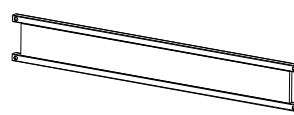
 Do not fully tighten the screws yet.

Step7



! Do not fully tighten the screws yet.

Step8



12*1



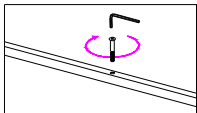
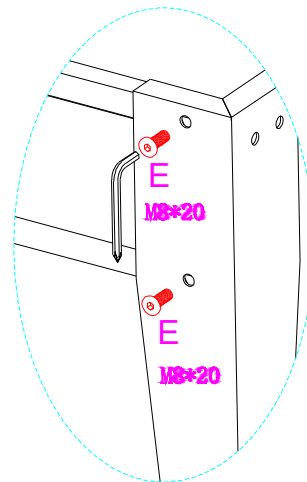
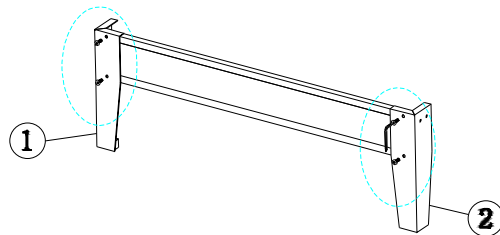
1*1



2*1

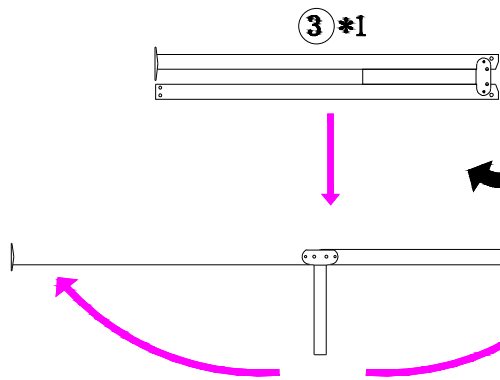


E*4
M8*20

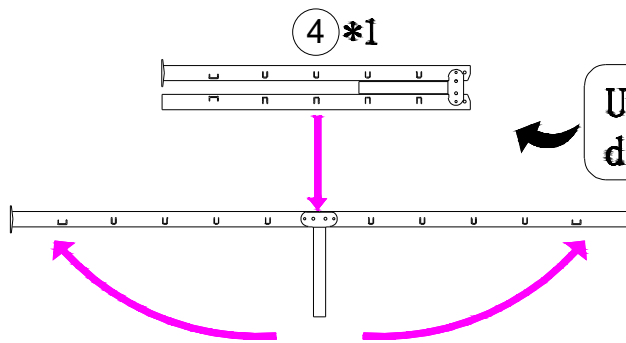


! Do not fully tighten the screws yet.

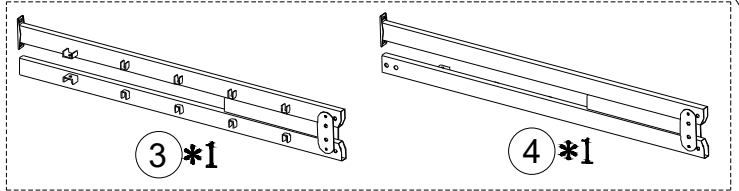
Step9



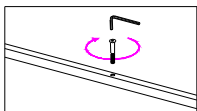
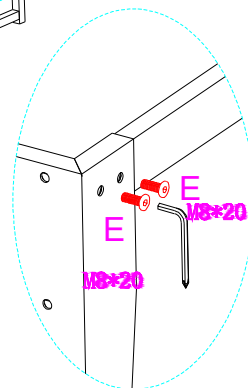
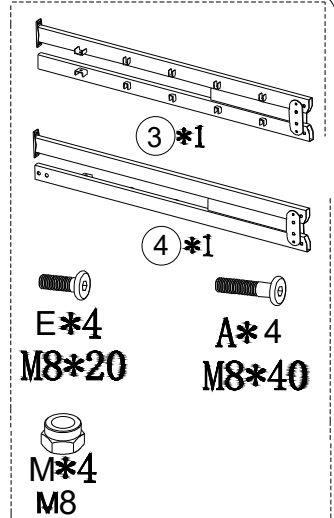
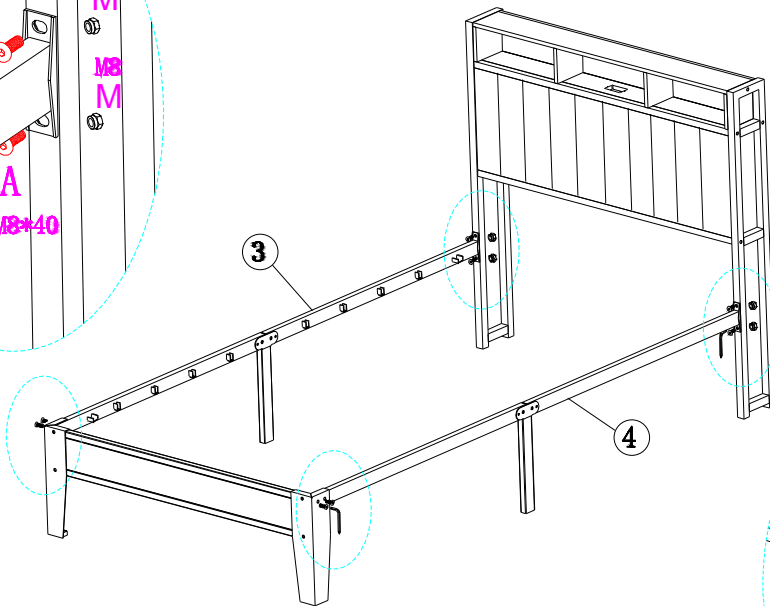
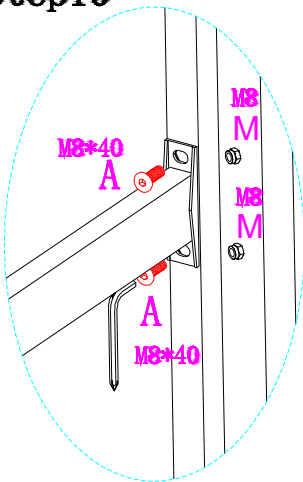
Unfold Part 3 as shown in the diagram.



Unfold Part 4 as shown in the diagram.

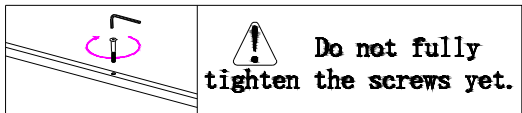
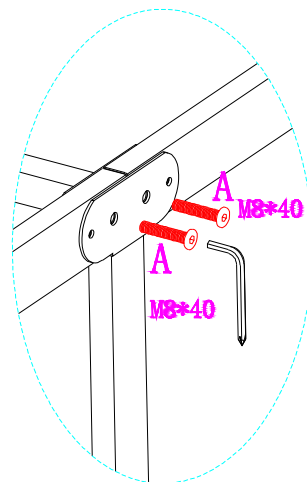
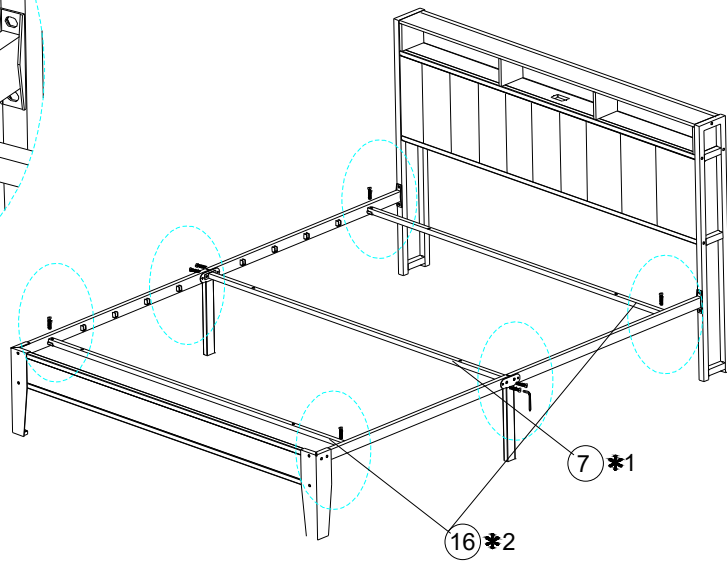
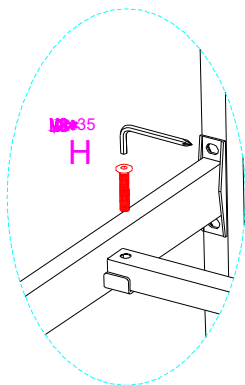
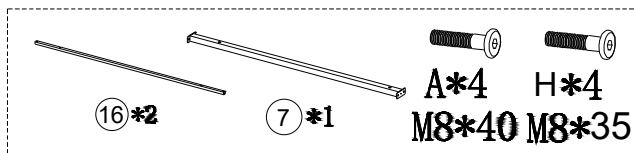


Step10

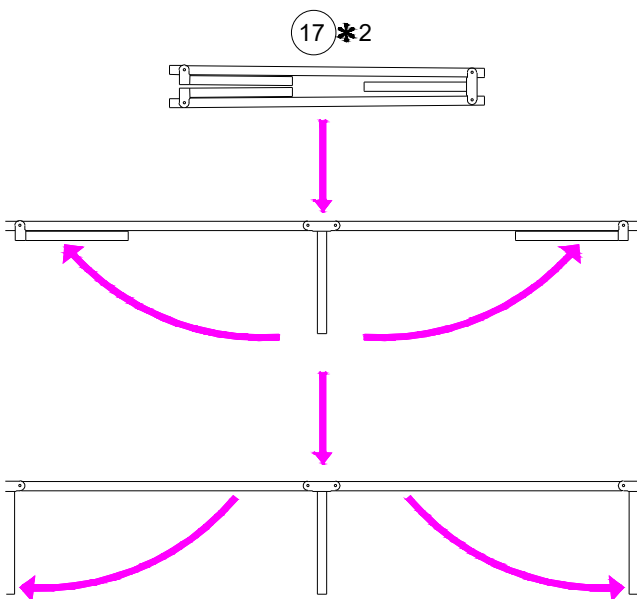
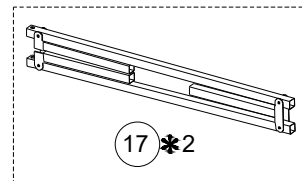


Do not fully tighten the screws yet.

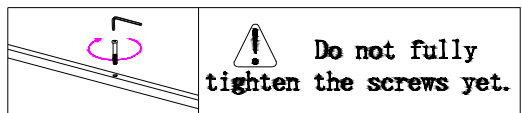
Step11



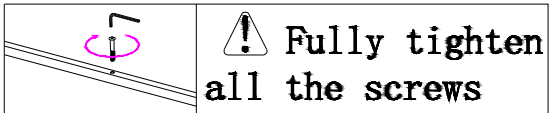
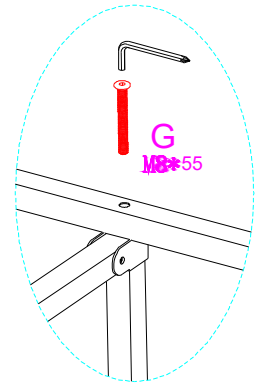
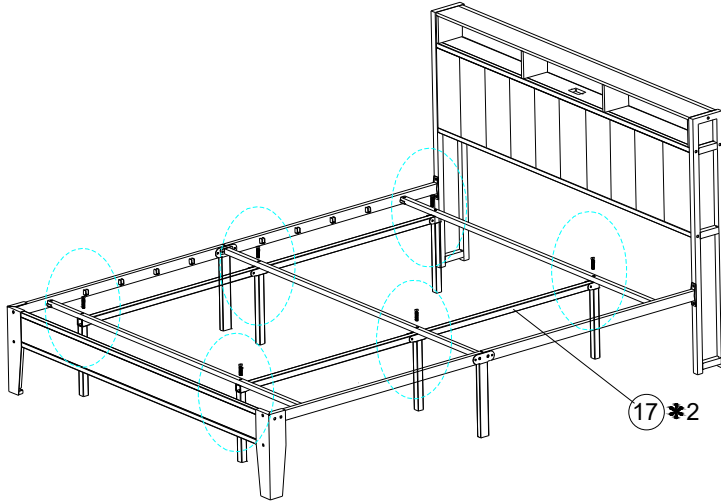
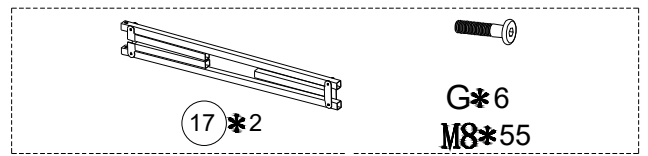
Step12



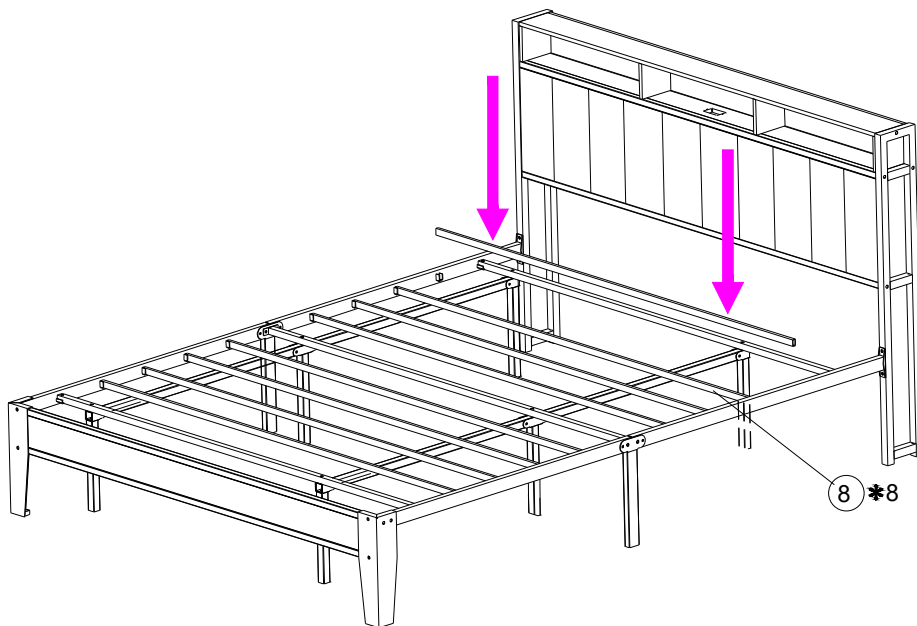
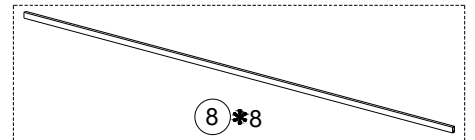
Unfold Part 17 as shown in the diagram.



Step13



Step14



In the last step, please make sure all the screws are tightened.