

ASSEMBLY INSTRUCTIONS



Fine Furniture for every stage of life

Dining Table

ASSEMBLY INSTRUCTIONS

ASSEMBLY TIPS:

1. Remove hardware from box and sort by size.
2. Please check to see that all hardware and parts are present prior to start of assembly.
3. Please follow attached instructions in the same sequence as numbered to assure fast & easy assembly.



WARNING!

1. Don't attempt to repair or modify parts that are broken or defective. Please contact the store immediately.
2. This product is for home use only and not intended for commercial establishments.

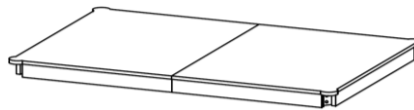


ASSEMBLY TIME

15 MINUTES

PARTS IDENTIFICATION

A TOP



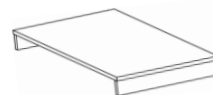
1PC

B LEG



4PCS

C LEAF



1PC

HARDWARE IDENTIFICATION

1

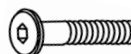
ALLEN WRENCH
(M5 x 65mm - BLK)



1PC

2

BOLT
(M8 x 60mm - RBW)



8PCS

3

LOCK WASHER
(M8 - RBW)



8PCS

4

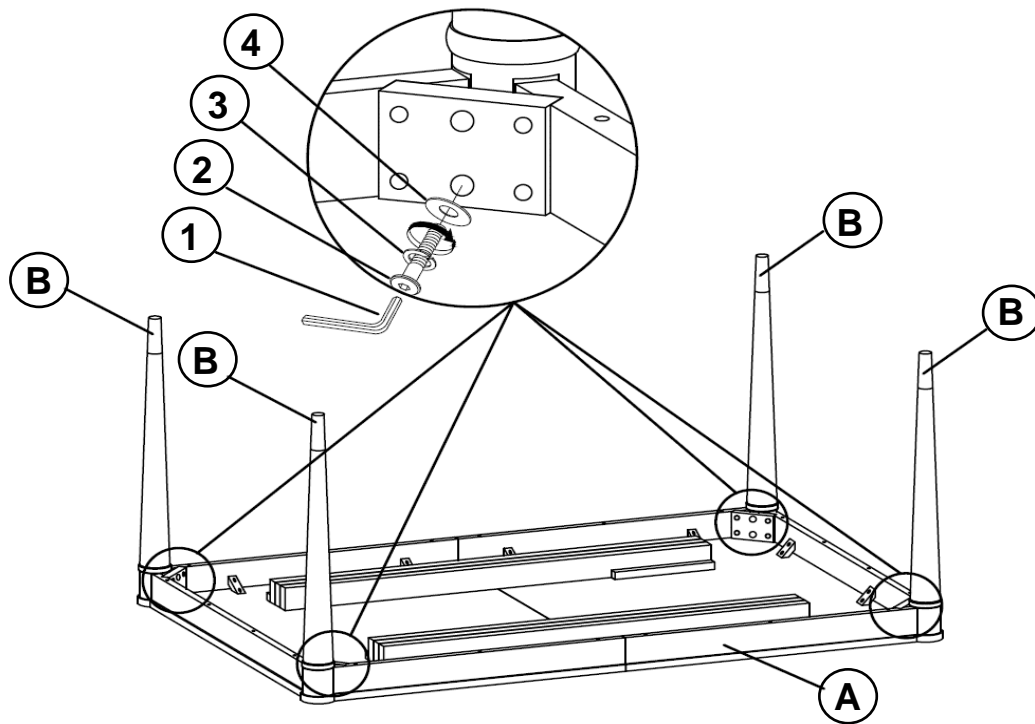
FLAT WASHER
(M8 - RBW)



8PCS

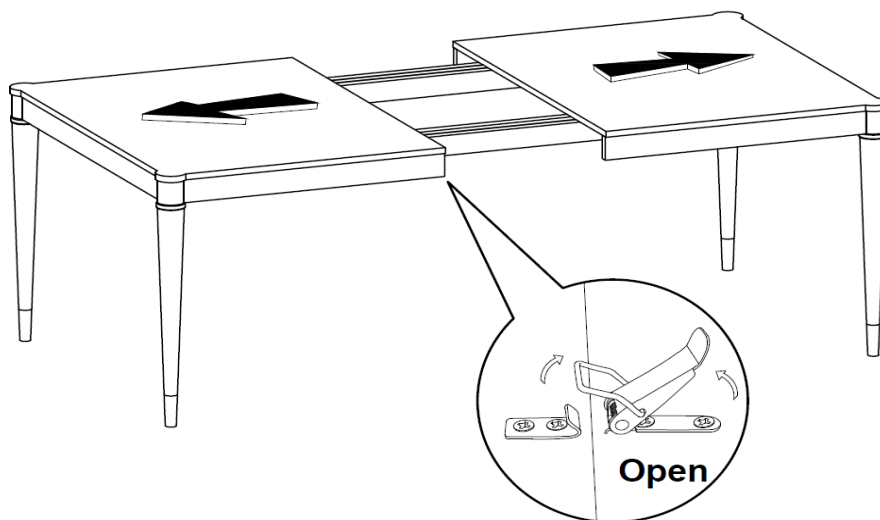
ASSEMBLY INSTRUCTIONS

STEP 1



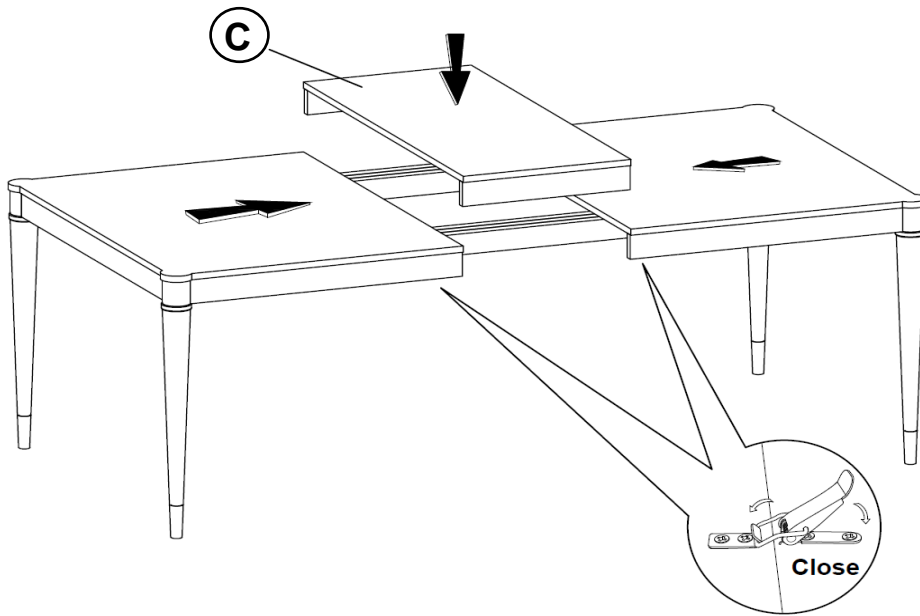
***Bottom View**

STEP 2



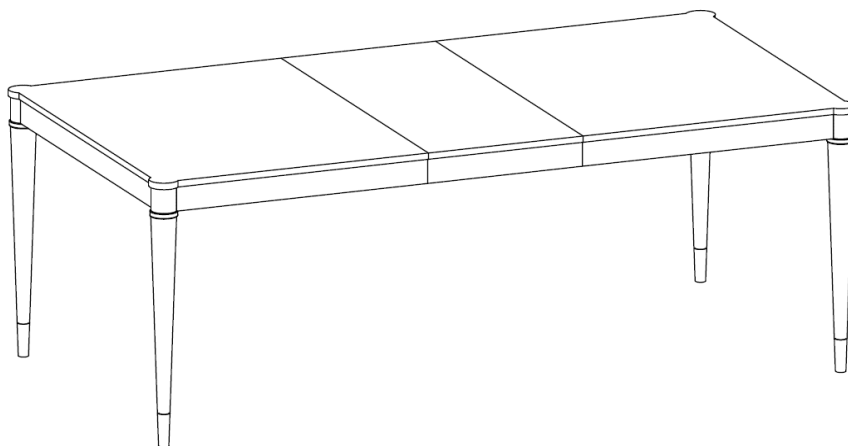
ASSEMBLY INSTRUCTIONS

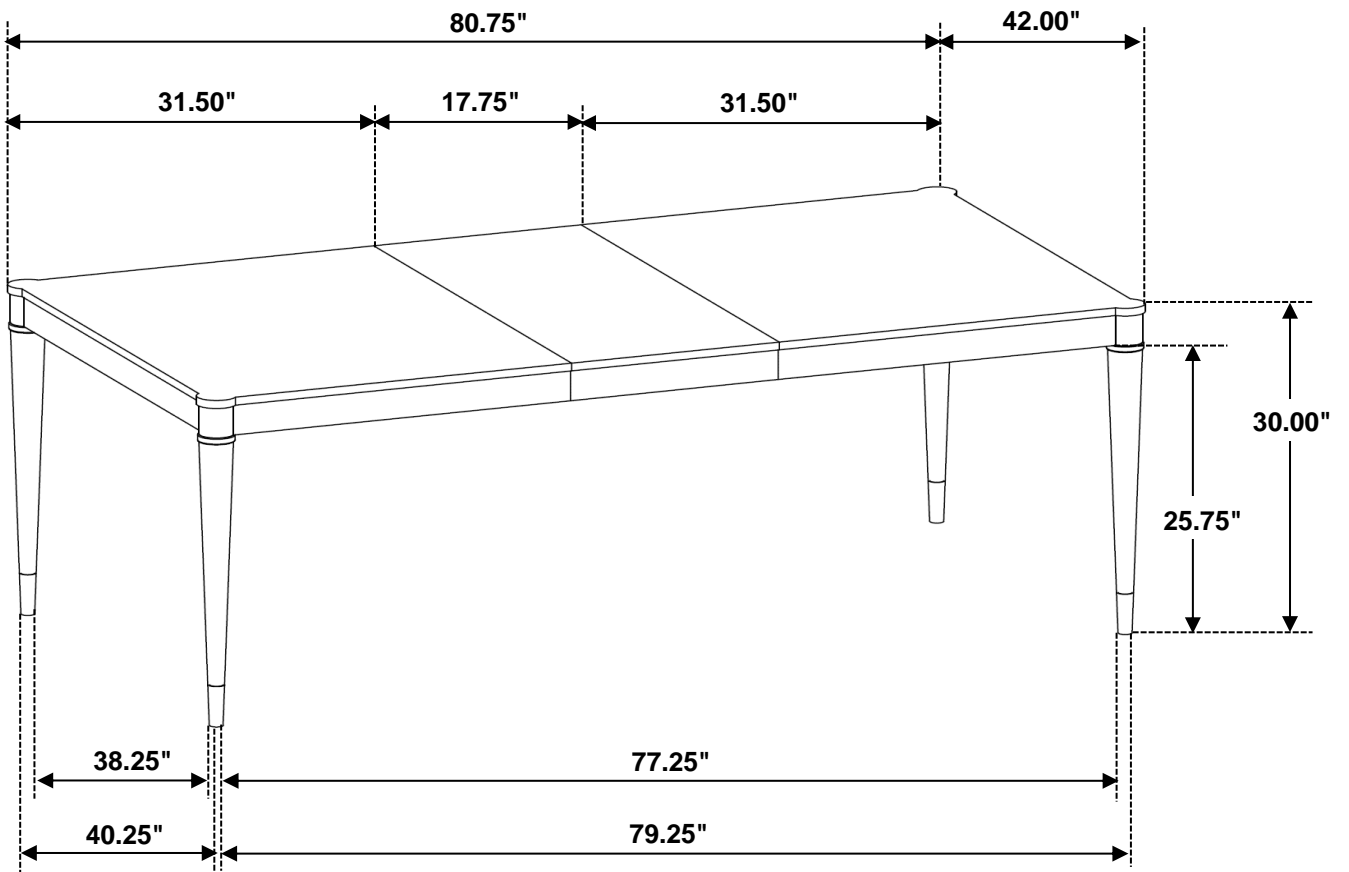
STEP 3



STEP 4

COMPLETE





Note: Dimension tolerance $\pm 5\%$

ASSEMBLY INSTRUCTIONS



Fine Furniture for every stage of life

Side Chair

ASSEMBLY INSTRUCTIONS

ASSEMBLY TIPS:

1. Remove hardware from box and sort by size.
2. Please check to see that all hardware and parts are present prior to start of assembly.
3. Please follow attached instructions in the same sequence as numbered to assure fast & easy assembly.



WARNING!

1. Don't attempt to repair or modify parts that are broken or defective. Please contact the store immediately.
2. This product is for home use only and not intended for commercial establishments.

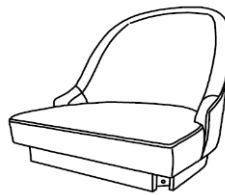


ASSEMBLY TIME

10 MINUTES

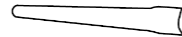
PARTS IDENTIFICATION

A SEAT AND BACK



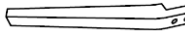
1PC

B FRONT LEG



2PCS

C BACK LEG



2PCS

HARDWARE IDENTIFICATION

1 ALLEN WRENCH
(M4 x 100mm - BLK)



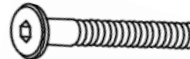
1PC

2 SHORT BOLT
(M6 x 40mm - RBW)



4PCS

3 LONG BOLT
(M6 x 60mm - RBW)



4PCS

4 LOCK WASHER
(M6 - RBW)



8PCS

5 FLAT WASHER
(M6 - RBW)



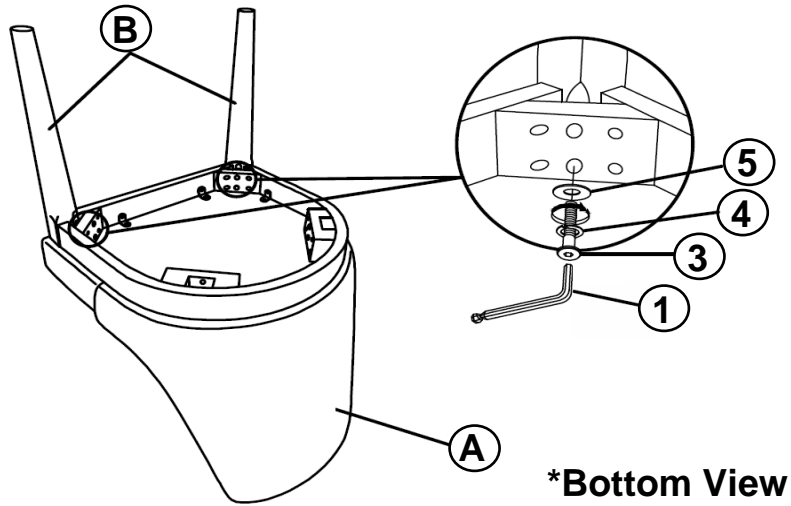
8PCS

NOTE:

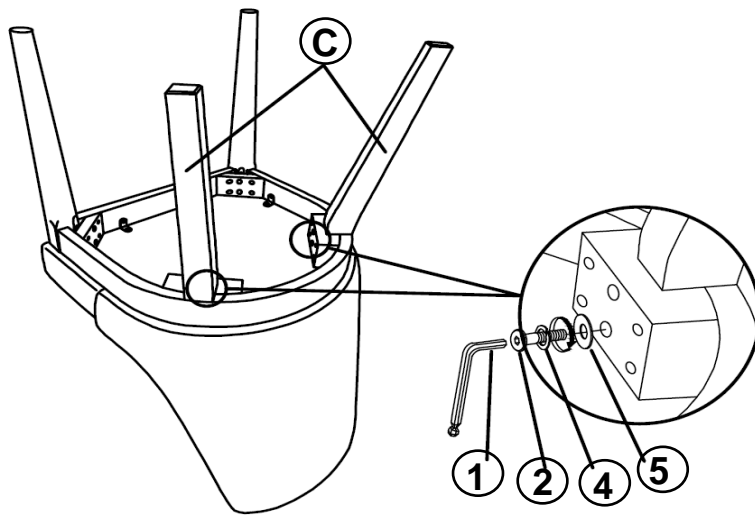
Quantities shown are for one chair.

ASSEMBLY INSTRUCTIONS

STEP 1

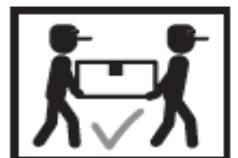
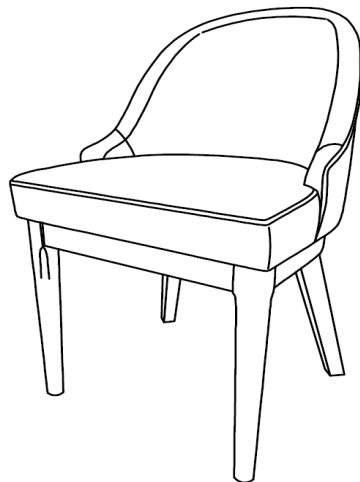


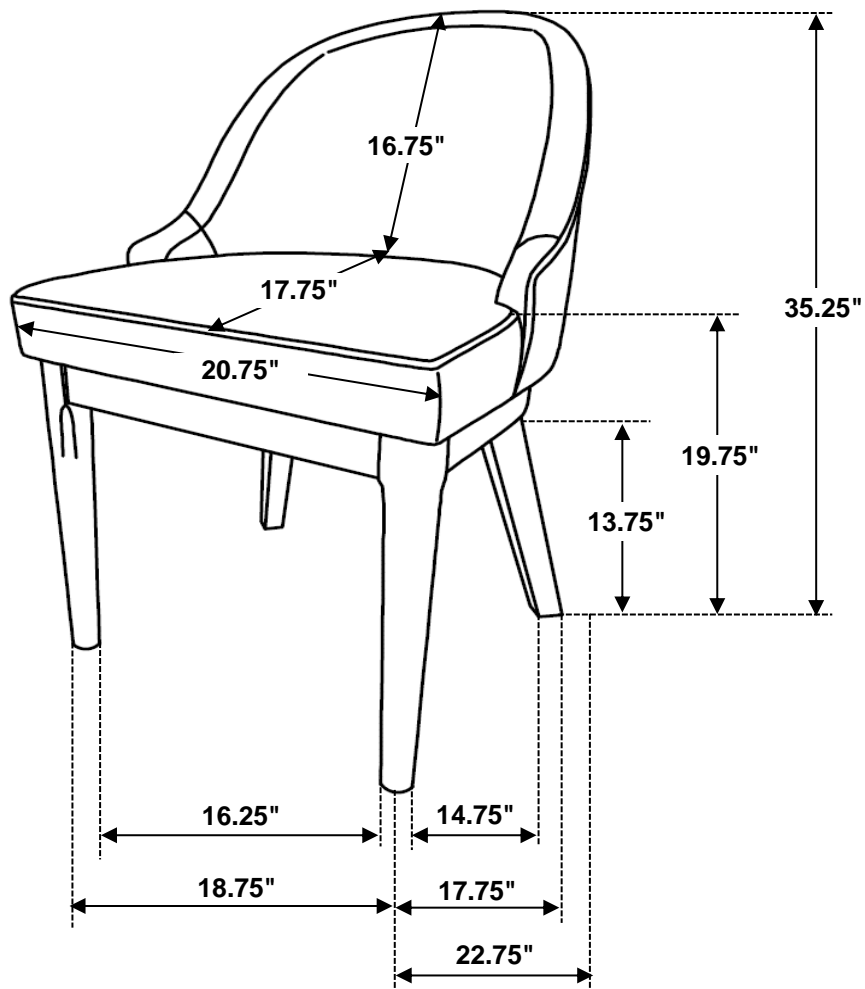
STEP 2



STEP 3

COMPLETE





Note: Dimension tolerance $\pm 5\%$