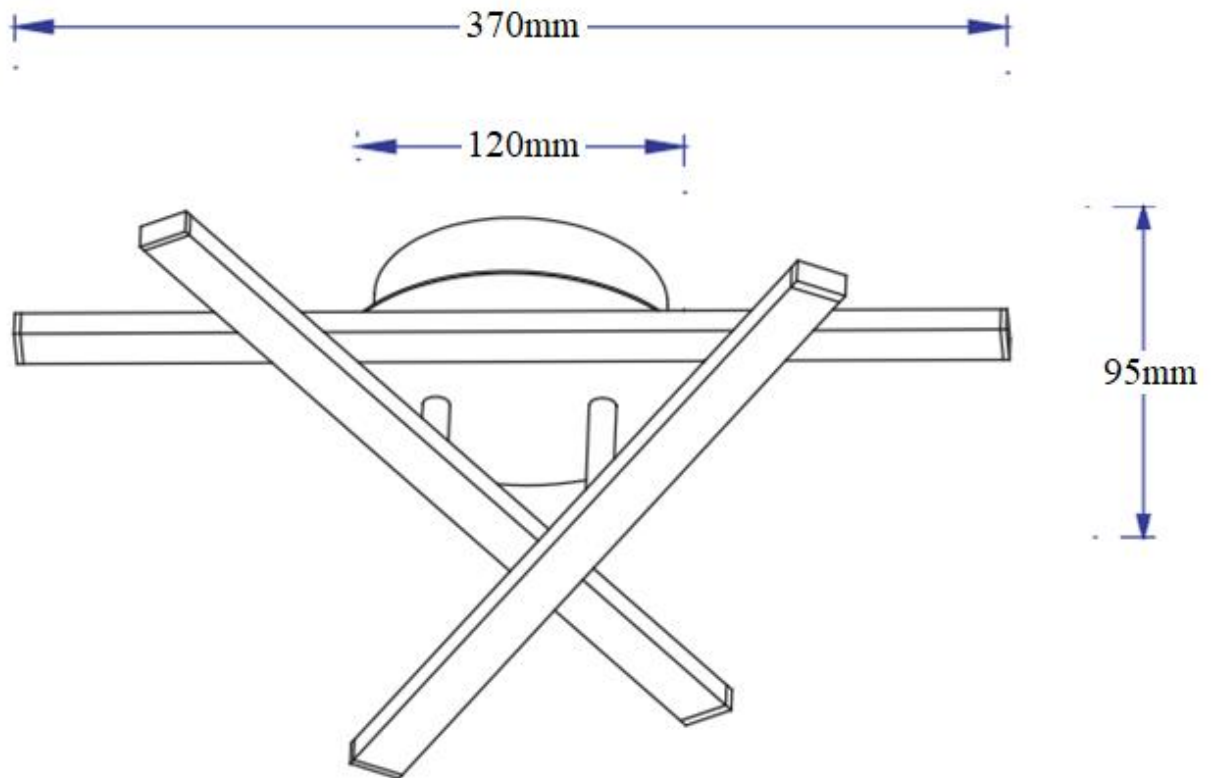


Infinity IP44 Matt Black 3 Arm Adjustable Crossover Ceiling Light

Item: 26281



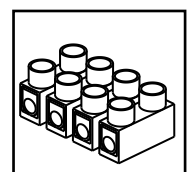
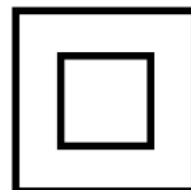
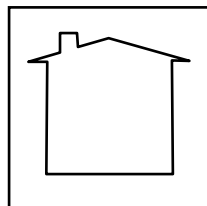
Product Dimensions

Length: 37 cm

Height: 9.5 cm

Ceiling Plate Diameter: 12 cm

Weight: 0.535 Kg



Thank you for purchasing the Infinity IP44 Matt Black 3 Arm Adjustable Crossover Ceiling / Wall Light. This manual will guide you through the setup and operation of the product. Please read the instructions carefully before using the light.

ValueLights, 4 Omega Drive, Irlam, Manchester, M44 5GR

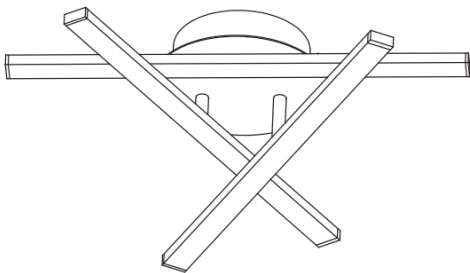
Care and Maintenance Advice

- Before cleaning or maintaining the ceiling light, always disconnect it from the power source.
- To clean the main frame, use a soft, dry cloth to remove any dust or debris.
- Dust can accumulate on the surface of the light fixture over time. To maintain its sleek appearance, gently dust the product with a soft, lint-free cloth or a feather duster on a regular basis.
- When cleaning your ceiling light, refrain from using harsh chemicals, abrasive cleaners, or solvents. Instead, use a mild soap diluted in water. Apply the soapy solution with a soft cloth and gently wipe the surface. Rinse thoroughly with clean water and pat dry to prevent water spots.
- The painted matt black finish is susceptible to scratches and abrasions. Handle the light fixture with care and avoid dragging or rubbing it against hard surfaces. When disassembling or installing the fixture, place it on a soft, padded surface to prevent accidental damage.
- Periodically inspect the fixture for any signs of wear, loose screws, or other issues. If you notice any problems, contact a qualified technician for assistance. Never attempt to repair electrical components yourself.
- Prolonged exposure to direct sunlight may cause the black colour to fade or discolour over time. Install the ceiling light away from direct sunlight or use window treatments to protect it from harmful UV rays.
- While the ceiling light is rated for some level of moisture protection (IP44), it's still a good practice to avoid exposing it to excessive moisture. This will help prolong the life of the fixture and prevent any potential electrical issues.
- If you ever need to store or transport the light fixture, ensure that it is securely packaged and protected from impacts or jostling. Use the original packaging whenever possible to provide the best protection during storage or transit.

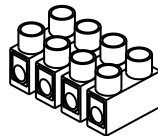
SPECIFICATIONS

Material:	Metal, Aluminium, PVC
Finish:	Painted Matt Black
Colour:	Black
Light Source:	LED Integrated (SMD)
Maximum Wattage:	12 Watts
Brightness / Beam Angle:	1200 Lumens / 110°
Colour Temperature:	3000K (Warm white)
LED Lifespan:	25,000 Hours
Energy Efficiency Rating:	E
Power Source (Voltage):	Mains (240 Volts)
Dimmable:	No
Protection Class:	Class II (double insulated - it doesn't require an Earth connection)
Waterproof Grade (IP Rating):	IP44 (Protected against most solid objects greater than 1mm - Protected against water splashing from any angle).
Ceiling Plate Diameter:	12 cm
Weight:	535 grams

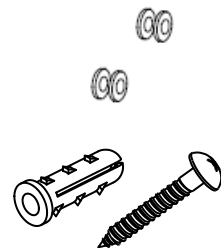
Components and Fittings



Lighting fitting (pre-wired)



Terminal Block
(Fitted in ceiling plate)



3 x Screws and 3 x Plugs
(Included in pack)

IF AT ALL UNSURE, STOP NOW AND SEEK PROFESSIONAL GUIDANCE

Suggested tools required (not supplied)

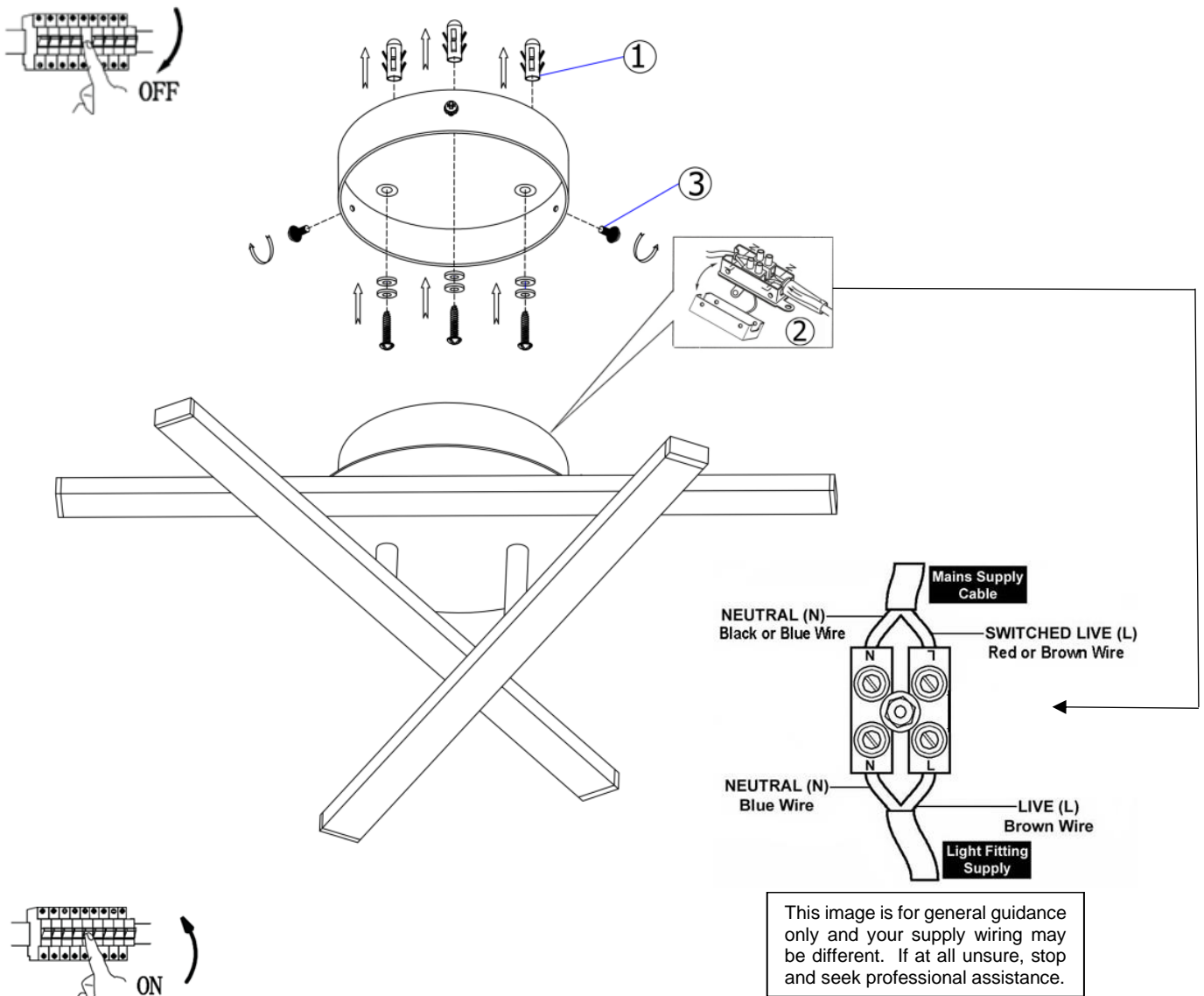
- ✓ Screwdriver - with insulated handle.
- ✓ Pliers - for twisting wire and cutting cable.
- ✓ Drill – choose appropriate drill bits for your chosen location and mounting surface.
- ✓ Wire strippers.



Assembly and set up:

- Ensure power is **switched off** at mains control unit.
- Place the fixing plate against the desired installation surface. Use the fixing plate as a template to mark the precise locations for the holes on the installation surface. Double-check the alignment to ensure accurate placement. Using an appropriate drill bit, create holes in the marked positions on the wall. ①
- Gently insert the Mains cable through the designated opening in the plastic cover. Be cautious not to damage or compromise the integrity of the cover. Position the fixing plate over the drilled holes. Insert suitable screws through the holes in the fixing plate and into the drilled holes on the wall. ②
- Connect the supply wires to the terminal block, opposite the corresponding wires from the fitting. (Ensure that connections are tight, and no loose strands of wire are left out of the connector block). ③
- Refit the light fixture back to the fixing plate using the side screws provided to securely fasten it in place. ③
- Switch ON at mains control unit.

Note: The plastic cover's purpose in the fixing plate is to maintain the IP44 rating and protect the cable (and the whole light fixture) from moisture and external elements. If you encounter any difficulties or uncertainties during the installation, consider seeking assistance from a professional electrician or installer.

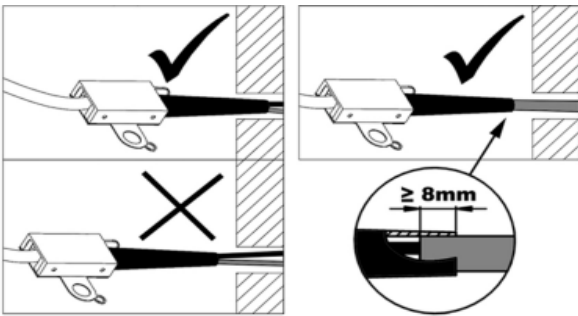


WARNING: PLEASE MAKE SURE THE ELECTRICITY IS SWITCHED OFF AT THE MAINS SUPPLY BOARD, BEFORE STARTING INSTALLATION PROCESS.

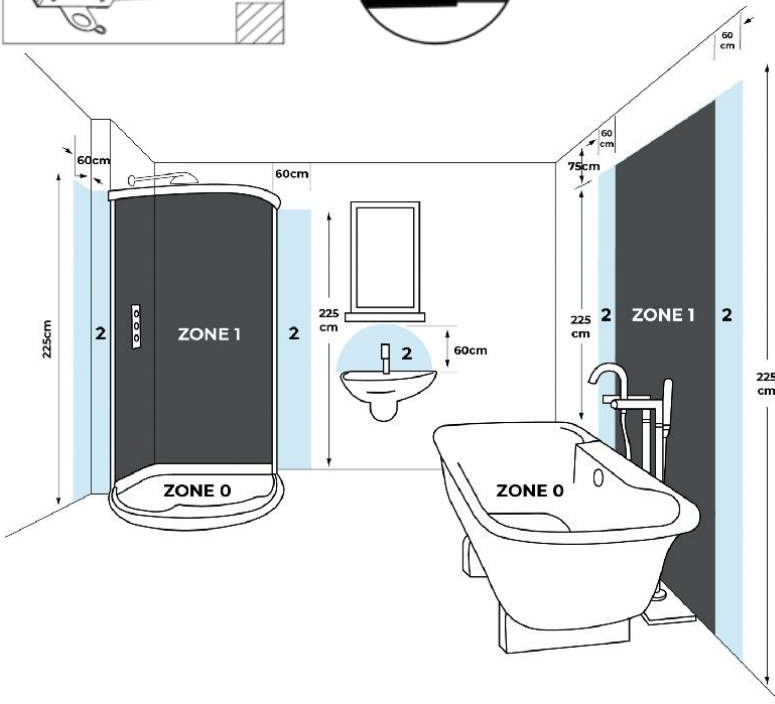
IF IN DOUBT ABOUT FITTING THIS PRODUCT, PLEASE CONSULT A QUALIFIED ELECTRICIAN

Safety and Position:

- Use screws and fixings that are suitable for the material of your wall. If the supplied ones are not compatible, select appropriate ones to ensure a secure installation.
- This product is classified as Class II (double insulated), and it doesn't require an Earth connection.
- This fixture must be permanently wired into the electrical system. Always **switch off power** to the circuit before starting any installation work.
- Do not modify or alter the product before or after installation. Any unauthorized alterations may invalidate the warranty and compromise safety.
- The terminal block should be housed within the mounting plate or a suitable recess behind the fitting to prevent exposure to live connections.
- All wiring must conform to the current I.E.E regulations to maintain safe electrical connections and compliance with standards. If unsure, consult a competent electrician to ensure proper and safe installation.
- This product is suitable for both indoor and outdoor use. It can be installed on walls or ceilings as needed, providing flexibility in placement. Do not mount the fitting in a damp atmosphere.
- Be aware of any sunken pipes or wiring before choosing a location.
- Ensure sufficient access to the fitting to enable safe maintenance.



Note: When connecting the Mains power cable (Neutral and Live) from the wall to the terminal block, ensure the Class II (double insulated) feature is maintained. Place the Mains cable into the provided black rubber sleeve, included with the terminal block, for double insulation. Avoid leaving the Neutral and Live cables exposed outside the black rubber sleeve; instead, ensure they are inserted at least 8mm within the rubber sleeve to ensure proper insulation and safety.



Please note that this product is rated IP44, making it suitable for various environments, including **Zone 2 usage in bathrooms. Not suitable for Zone 1.*

Zone 1 is the area above the bath or shower to a height of 2.25m from the floor. In this zone, a minimum rating of IP45 is required but it is generally accepted that IP65 is to be used. It's also worth noting that most shower lights are rated at IP65 as standard.

Zone 2 is an area stretching 0.6m outside the perimeter of the bath and to a height of 2.25m from the floor. In this zone, an IP rating of at least **IP44** is required. It is also good practice to consider the area around a wash basin – within a 60cm radius of any tap – to be considered as within Zone 2.

Important Information

If you need help or have damaged or missing parts, call the Customer Helpline: 0161 837 6095
Opening Times: Monday to Friday, 9am to 5pm. Closed Saturday and Sunday.
(By contacting the customer service line your statutory rights are not affected)

Please have the following information to hand:

- ✓ Item Description
- ✓ Item Code
- ✓ Batch number
- ✓ Assembly Instructions

You can also e-mail your requests to us at: customerservice@valuelights.co.uk

Alternatively, you can write to us at: Customer Service Department, Value Lights, 4 Omega Drive, Iram, Manchester, M44 5GR.