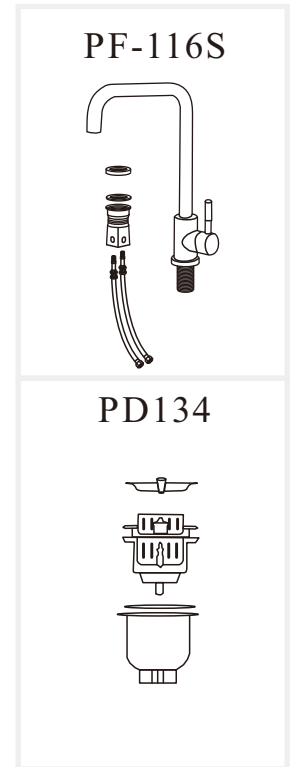
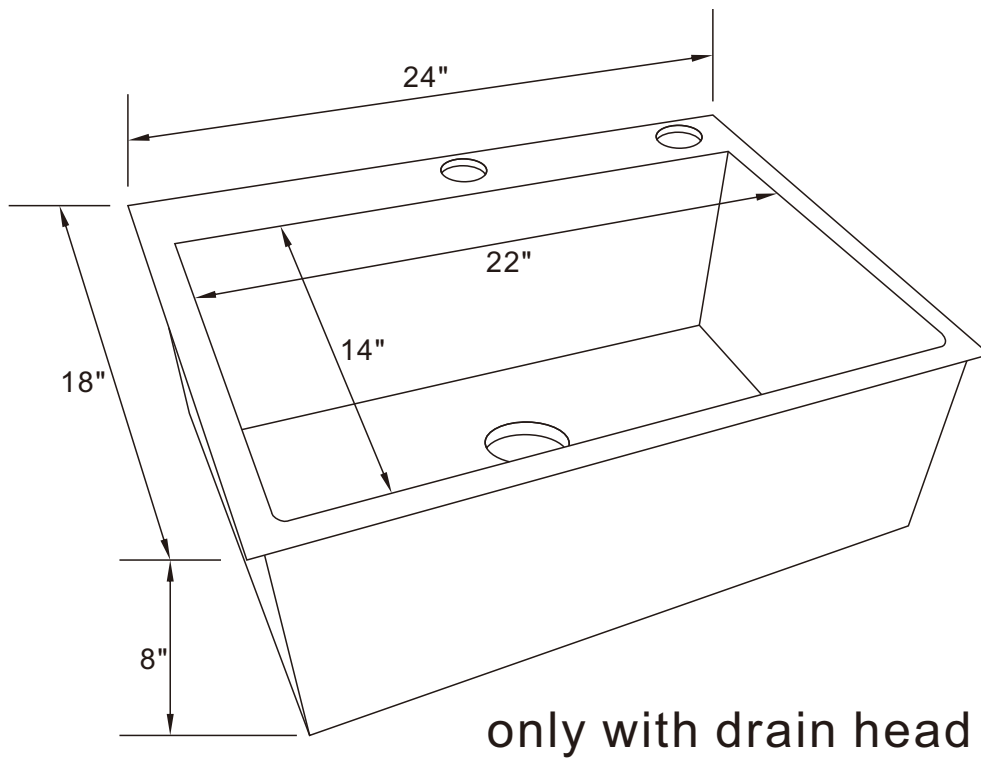
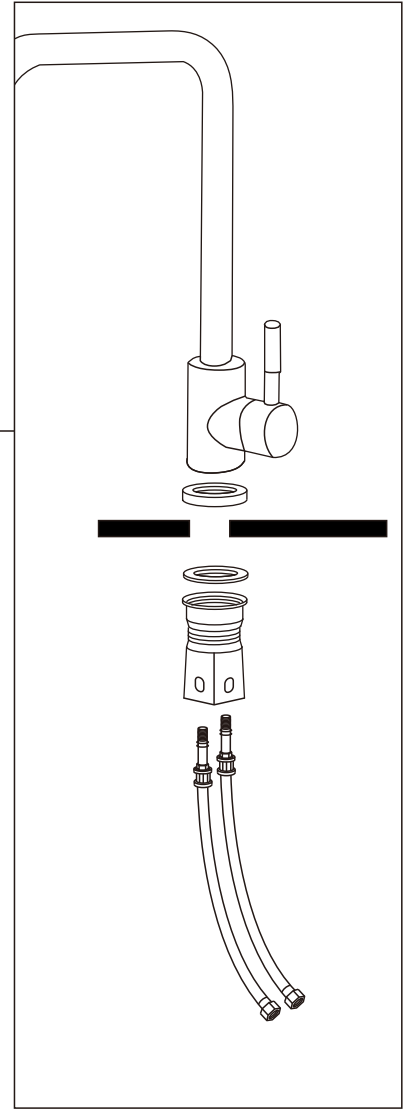
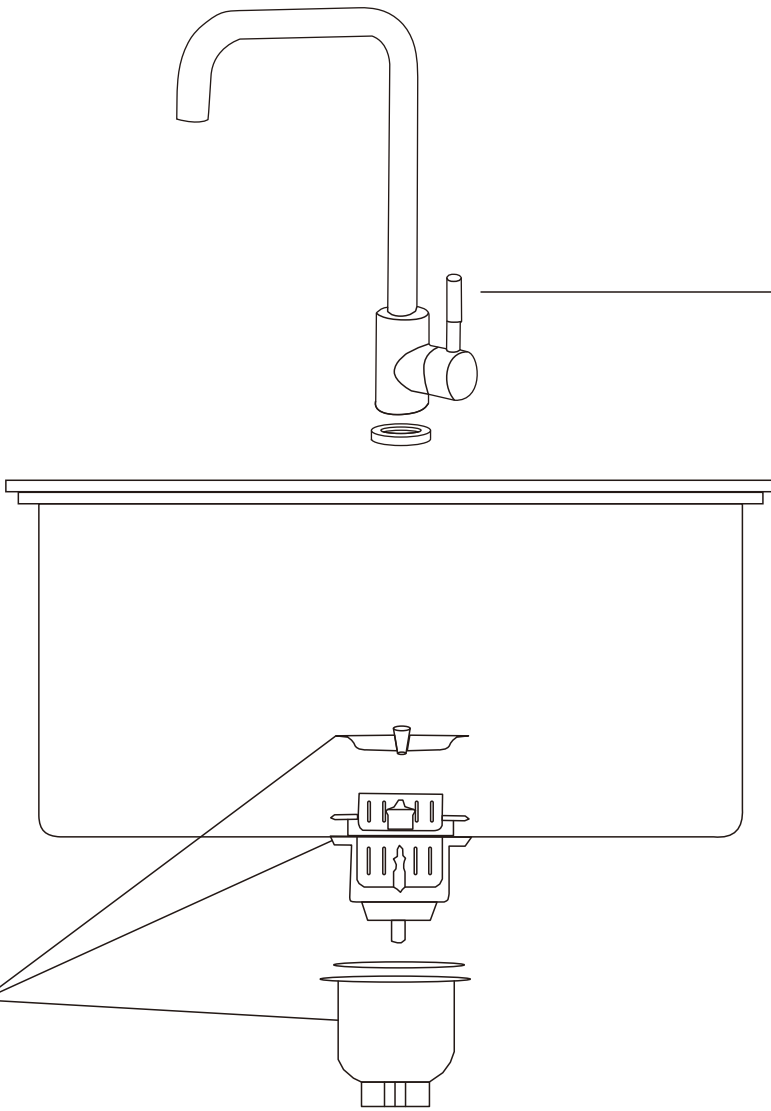
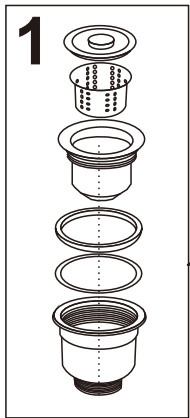


Installation Manual

BS29



**Please keep the boxes if you need return;
Check before installation;
Return won't be accepted afterwards;**



Daily Use and Maintenance

■ Why does the sink rust?

1. During renovation of the new house, there are iron filings and rust water in the water pipe. When these impurities are not flushed on the surface of the water sink, rust spots will appear;

2. Irony substances can cause rust, when it is in the sink for a long time;

3. During wall decoration, the splash of the alkali water and the lime water is likely to cause partial corrosion;

4. The house decoration generates the chemical components in the atmosphere and it causes chemical corrosion on the metal surface.

■ How to maintain the stainless steel sink?

1. When using the water sink for the first time after renovation of the new house, first fill water in the sink for 5-10 minutes to clean and remove the remaining rusty substances in the water pipe, then wipe the surface of the sink with a soft cloth;

2. Please ask the construction workers to pack the sink with a plastic bag after installation of the laundry utility. Don't open the plastic bag cover until the house decoration is fully completed.

3. Do not keep soft iron or any rust product to stay the water sink for a long time. Do not use strong acid and alkali to wash in the water sink. After use, clean the tank and dry it with a rag.

4. Do not leave any salted soup in the sink for a long time. After use, please wash it with water and dry.