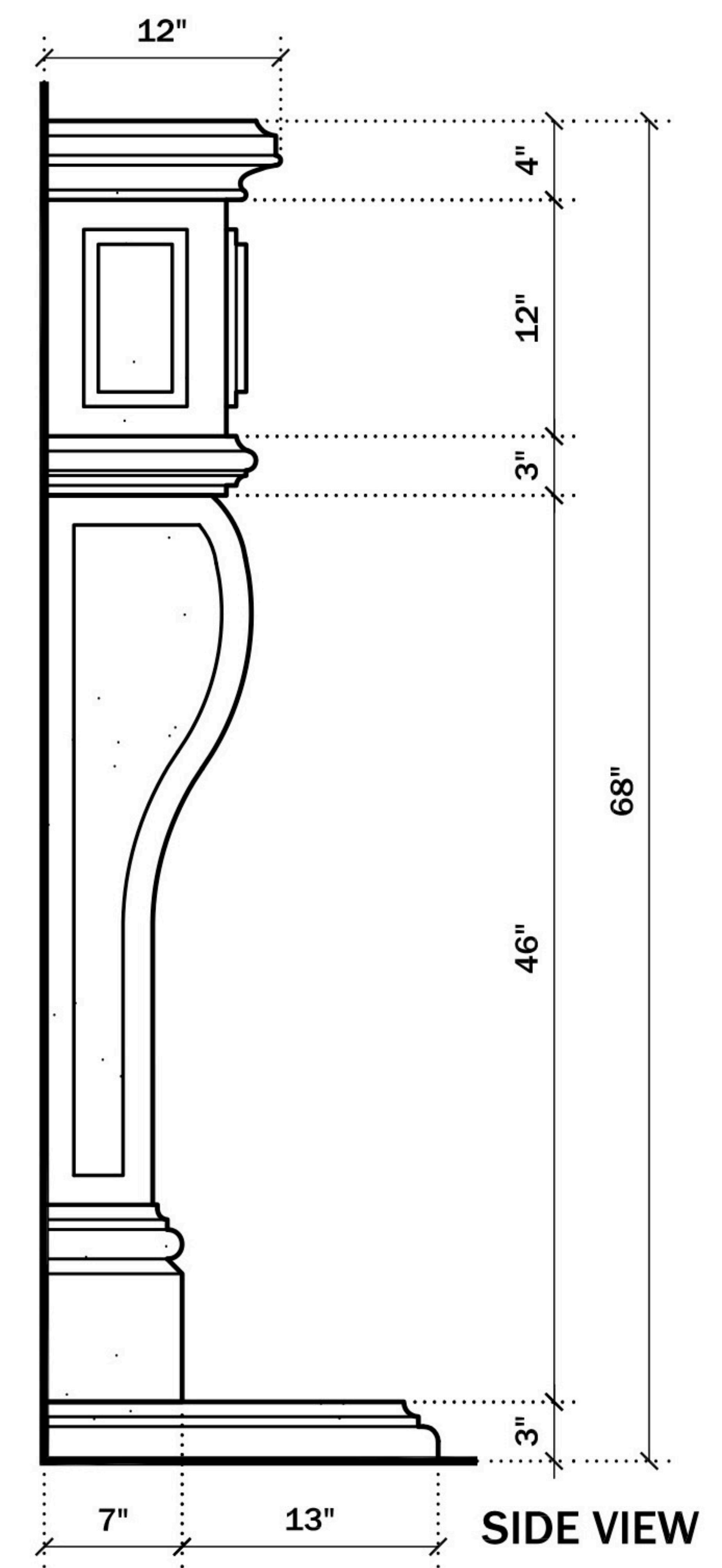
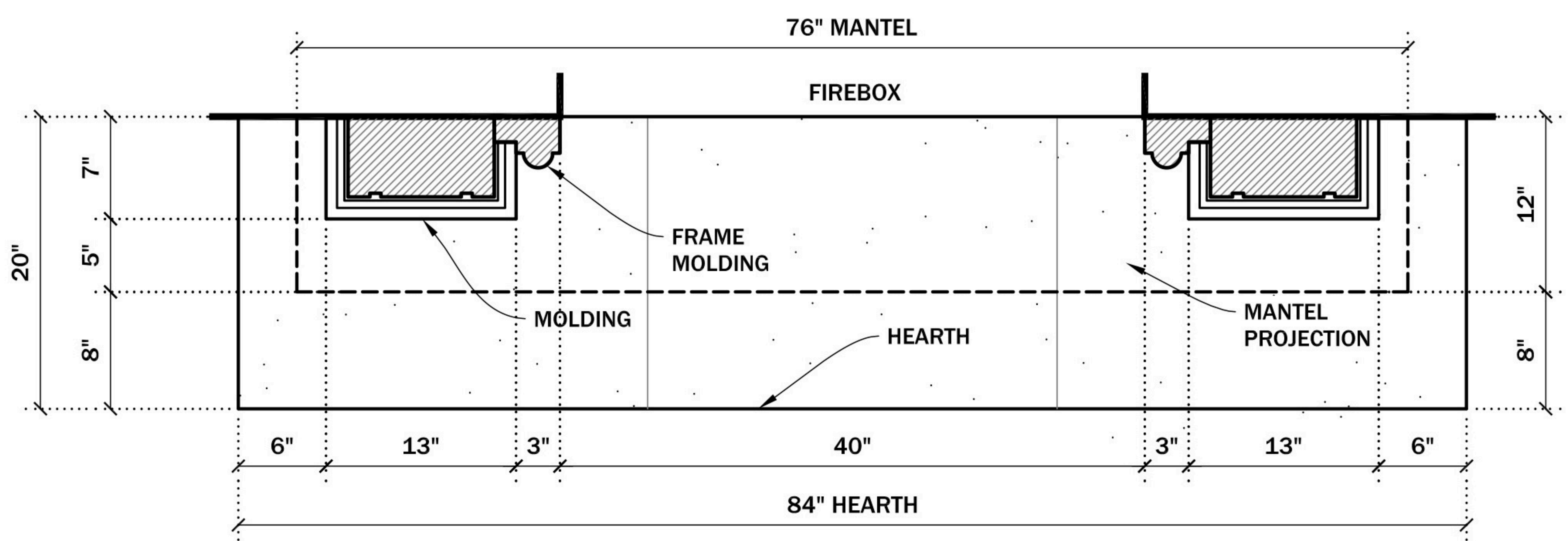


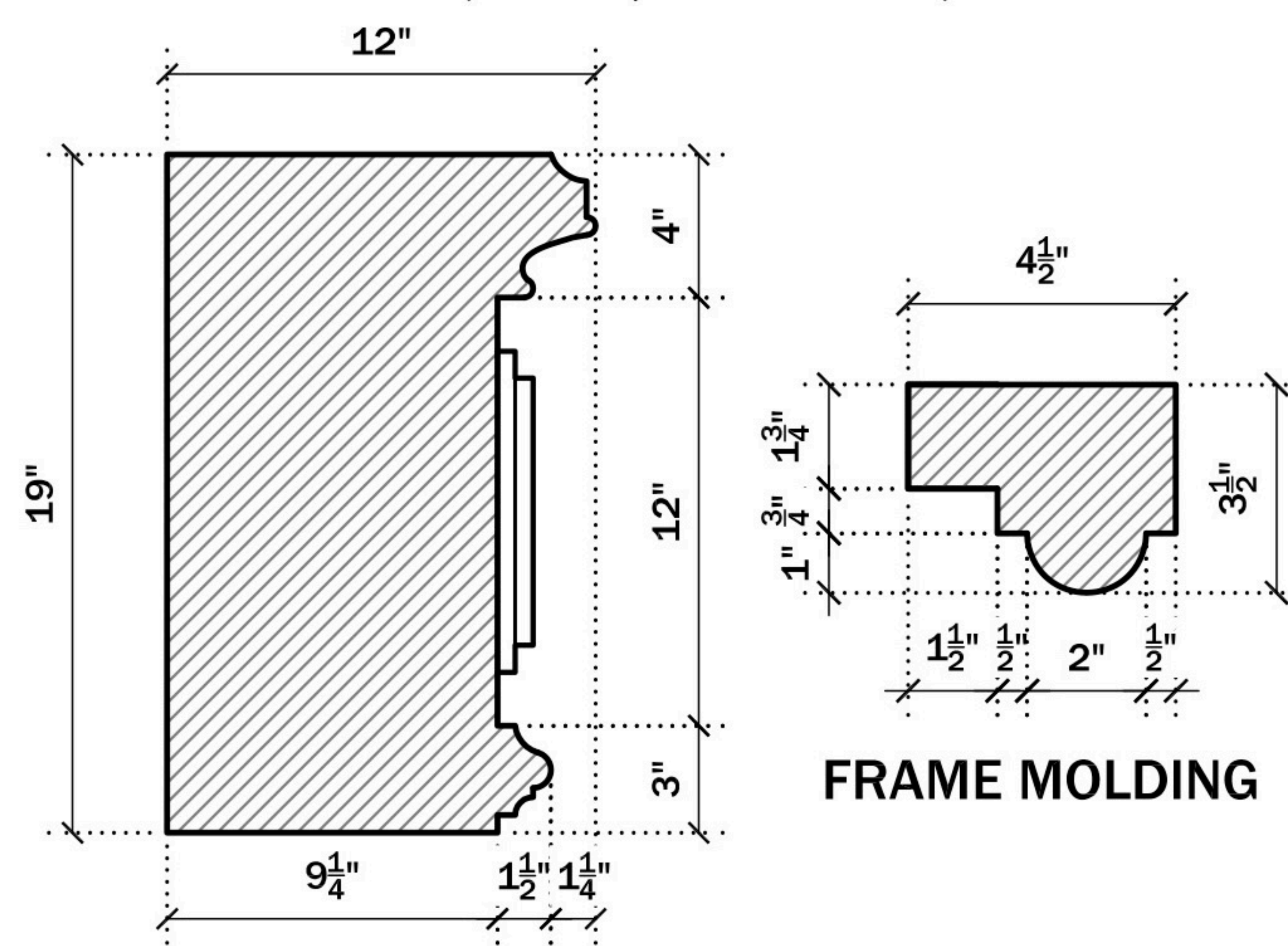
FRONT ELEVATION



SIDE VIEW



PLAN VIEW



MANTEL PROFILE

FRAME MOLDING

WFR-Montclair
ARCHITECTURAL STONE ELEMENTS, LLC.