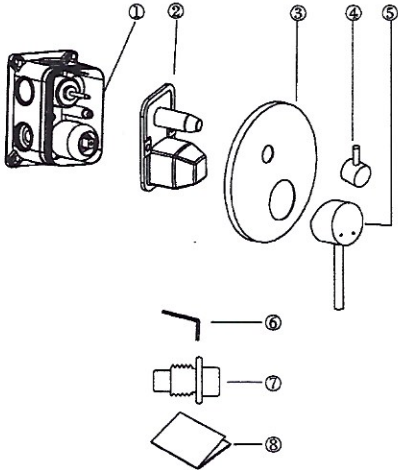
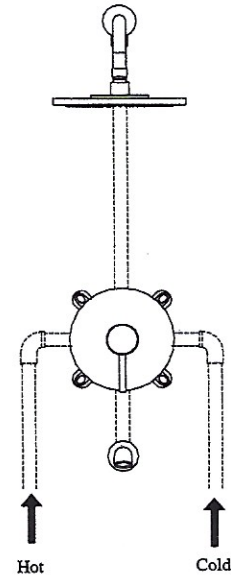


No.	Name	quantity
1	dual-functional control valve	1
2	Protection cover+ Sealing rubber sheet	1
3	Decorative panel	1
4	Water diversion handl	1
5	Handle	1
6	S=2.5 Allen key	1
7	Plastic plugs(1/2)	2
8	Instructions	1



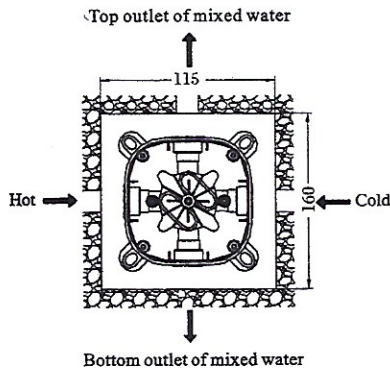
1

Connect the embedded box to the hot and cold water pipes must pay special attention: cold water to the left, hot water to the right.

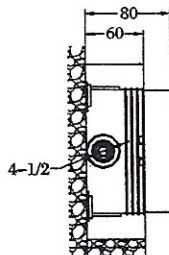


2

1、 size of the box into wall should be 160*115*(50-65mm deep), and a depth of 60 to 80mm would be the best.



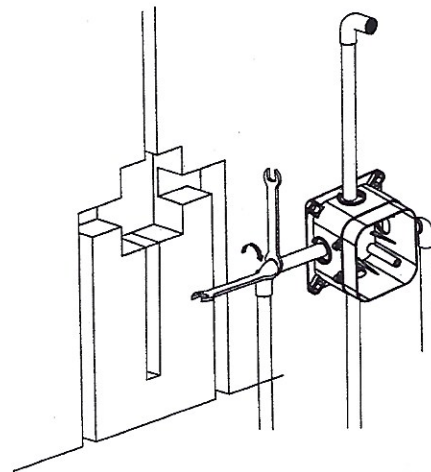
Blank wall slotted depth of 55 mm



3

1、 According to the product's basic Dimensional Drawings, you should create enough space for the outlet of the embedded, water pipes , shower arm and the lower spout connector.

2、 Connect the water pipes(cold and hot), the upper of the shower arm and the lower spout(hand shower) to the embedded box separately and fix them with a wrench.



4