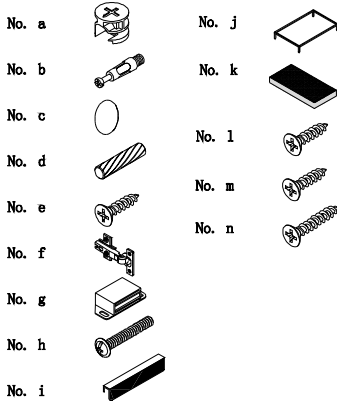
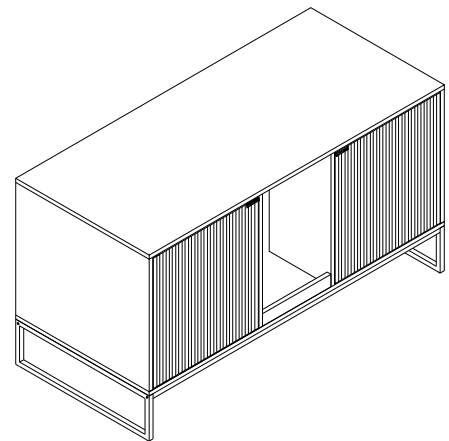
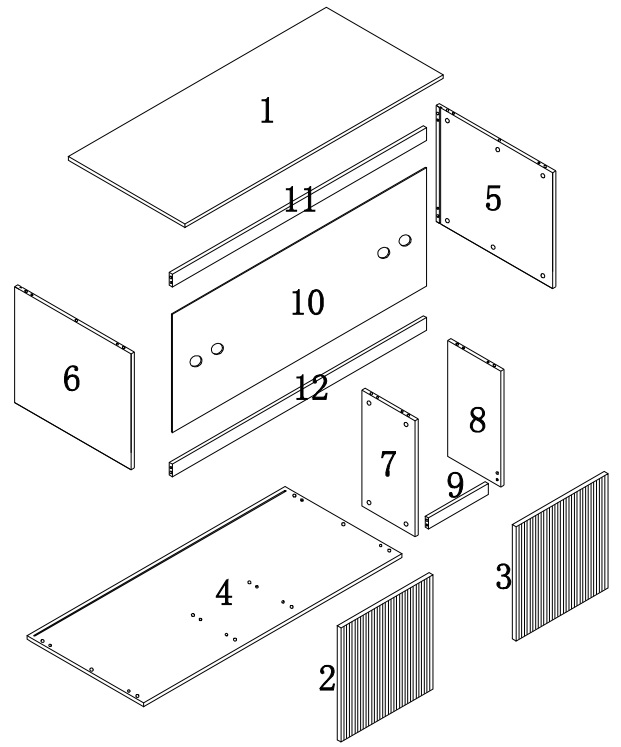


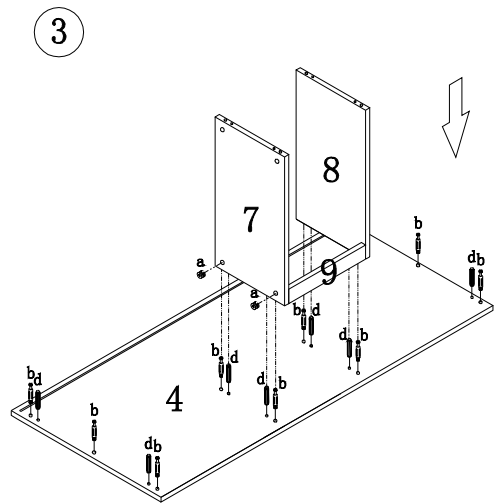
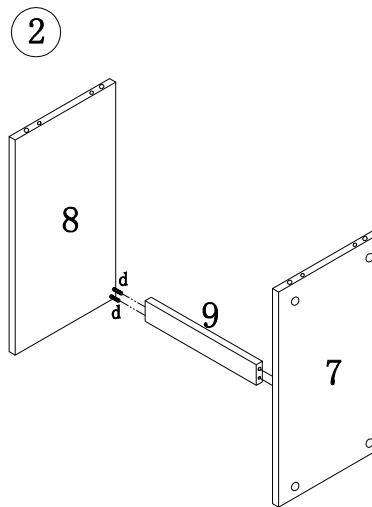
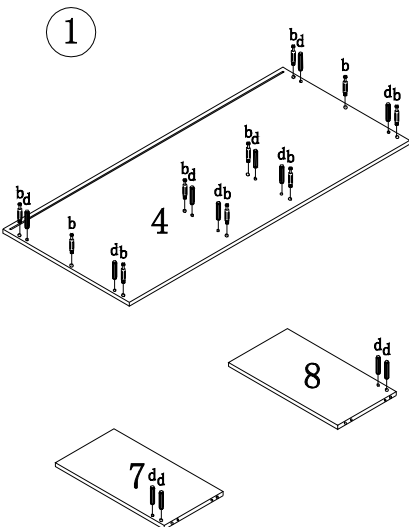
Assembling Instruction & Parts List

Item No.	Cat Litter Box Enclosure	Height	
		1209 ¡Á 660 ¡Á 400 mm	

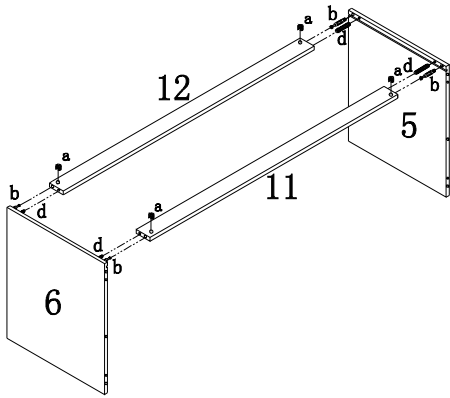
No.	Description	Measurement in mm	Quantity
No. 1	Top Panel		1
No. 2	Left Door Plate		1
No. 3	Right Door Plate		1
No. 4	Bottom Plate		1
No. 5	Right Side Panel		1
No. 6	Left Side Panel		1
No. 7	Middle Side Panel		1
No. 8	Middle Side Panel		1
No. 9	Front Drawbar Panel		1
No. 10	Back Panel		1
No. 11	Back Panel strip		1
No. 12	Back Panel strip		1
No. a	Cam Lock		28
No. b	Bolt for Cam Lock		28
No. c	Sticker		28
No. d	Dowel 8*40mm		25
No. e	Countersunk screw		8
No. f	Hinge		4
No. g	Closing Latch, Magnetic		2
No. h	Feet Screw		4
No. i	Knob		2
No. j	Iron frame		1
No. k	CAT22 Scratcher		1
No. l	Countersunk screw 4*12mm		4
No. m	Countersunk screw 4*16mm		24
No. n	Feet Screw 4*30		8



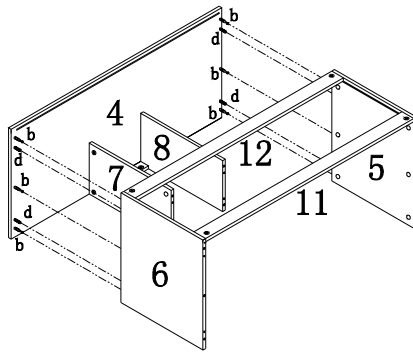
Advice:
Do not sit or stand on this product.
It is intended for pets only.
This product should be assembled by an adult.



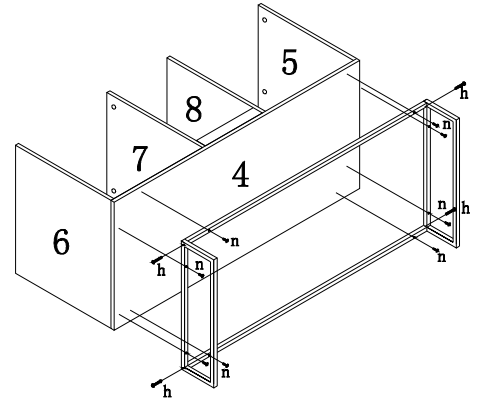
4



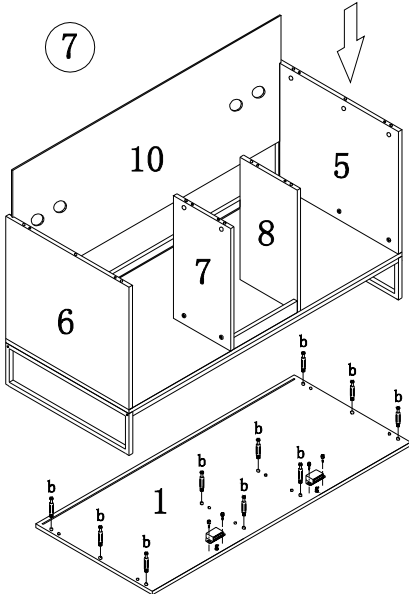
5



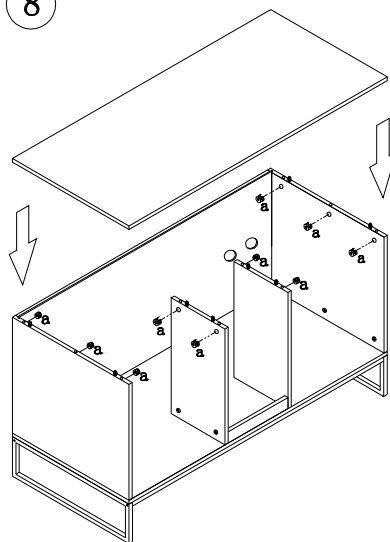
6



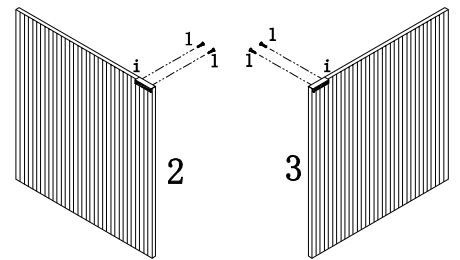
7



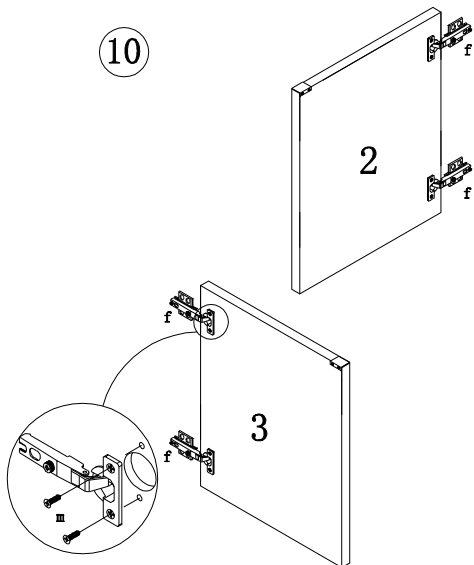
8



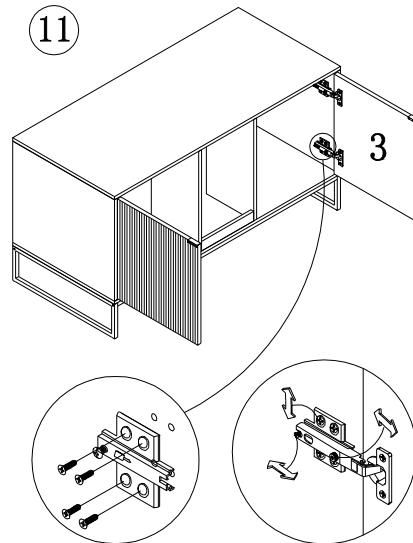
9



10



11



12

