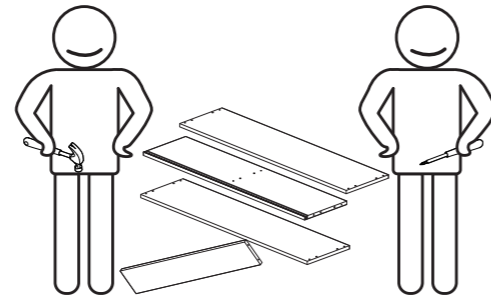
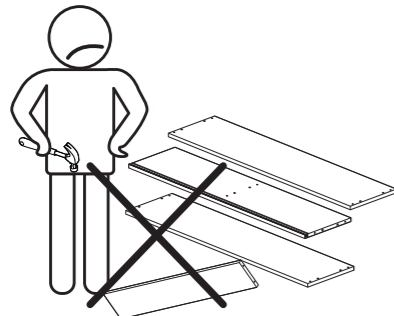


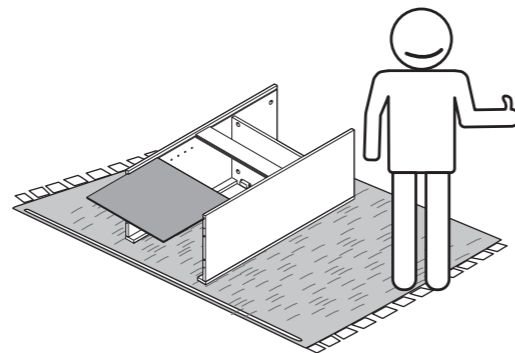
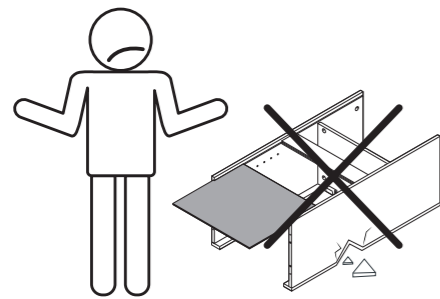
## **WARNING**

Children have died from furniture tipover. To reduce the risk of furniture tipover:

- ALWAYS install tipover restraint provided.
- NEVER allow children to stand, climb or hang on drawers, doors, or shelves.
- NEVER open more than one drawer at a time.
- Place heaviest items in the lowest drawer.



We recommend at least 2 people for the assembly.



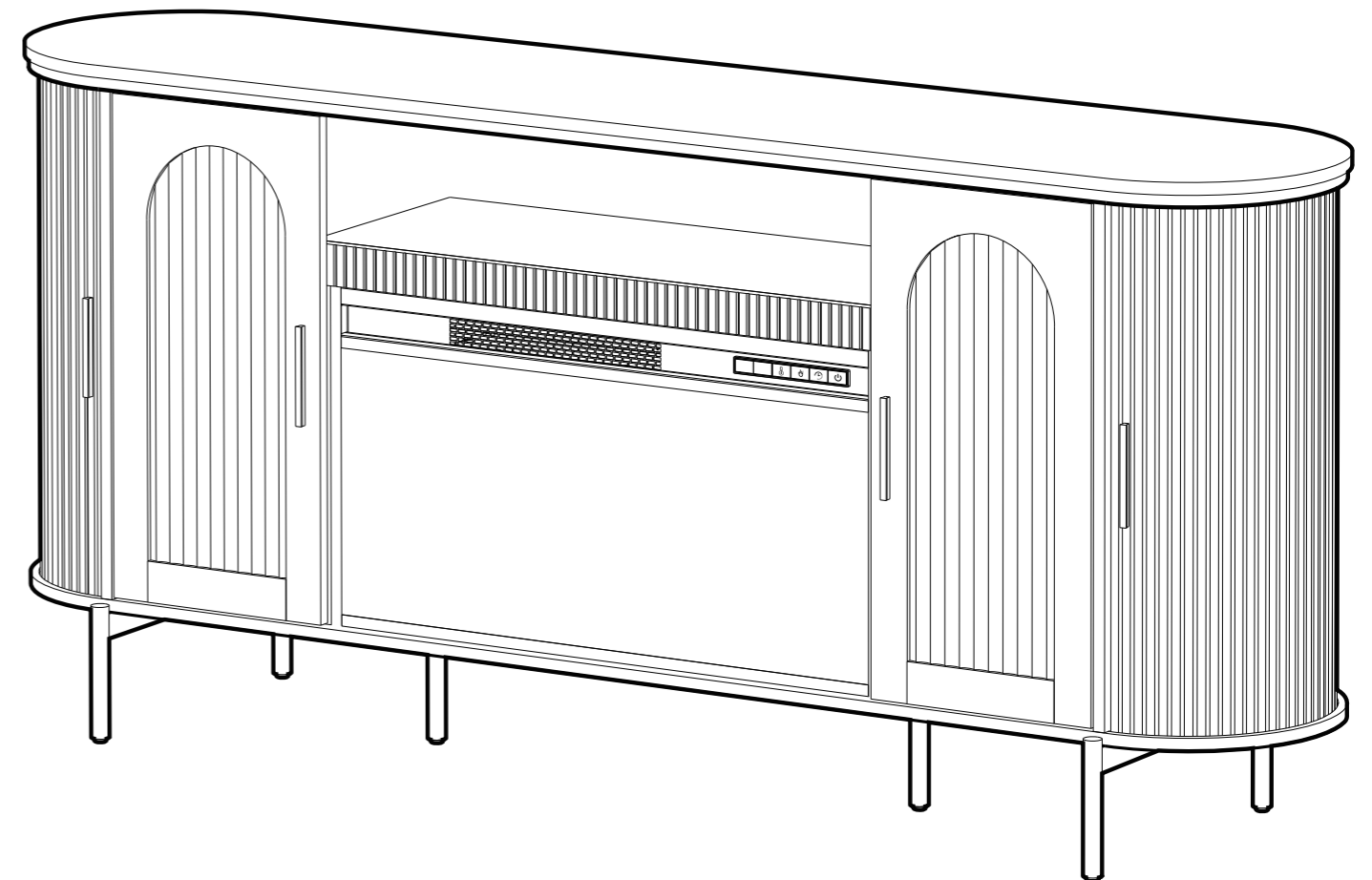
To prevent any damage during assembly, place a mat under the pieces.



Any questions concerning assembly, contact us

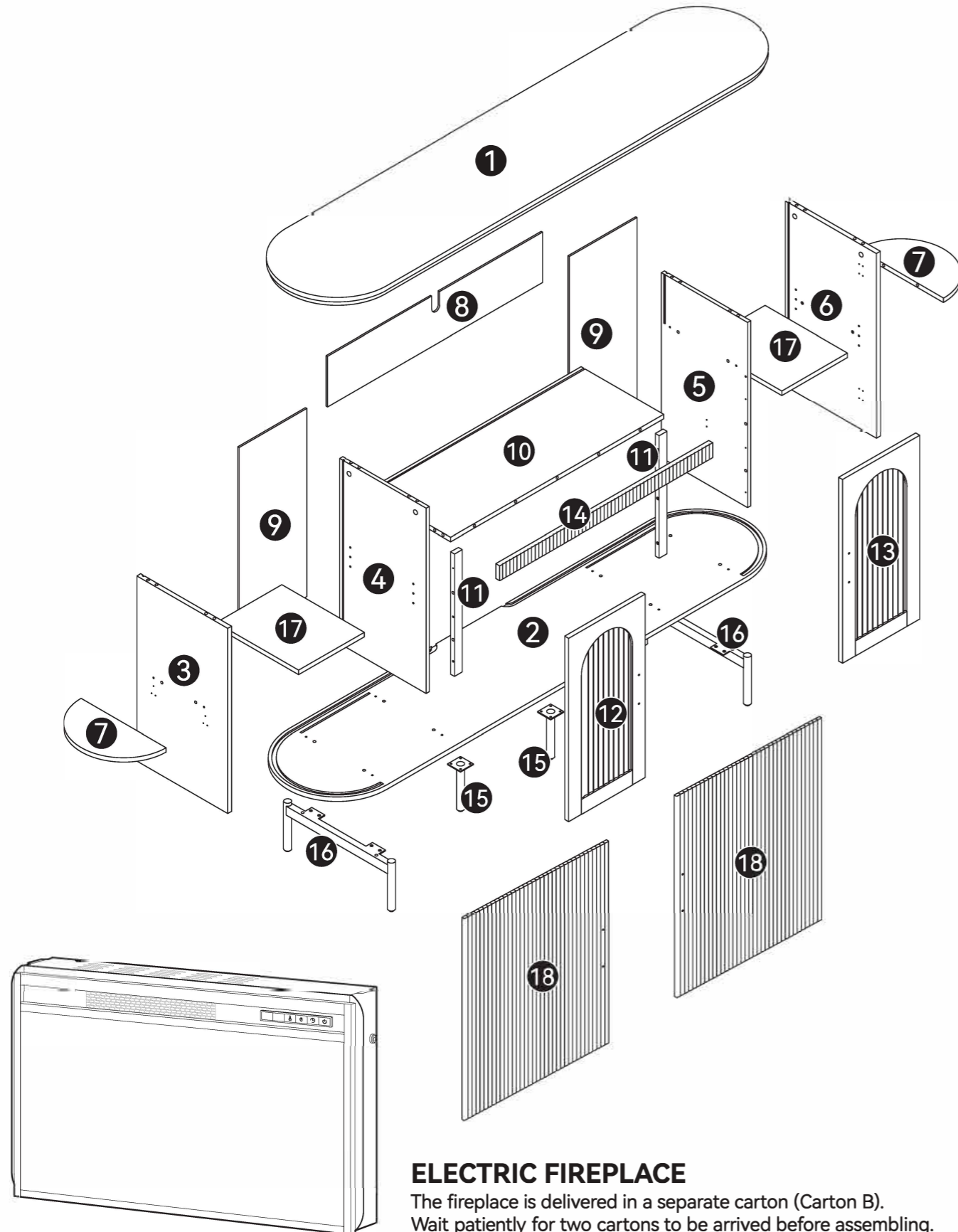
# TV STAND

## ASSEMBLY INSTRUCTIONS

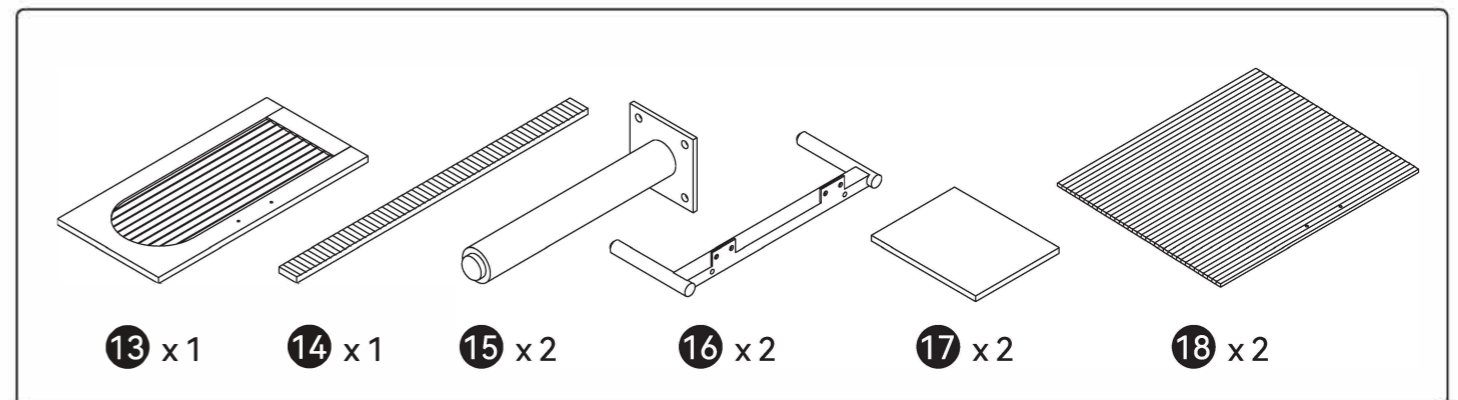
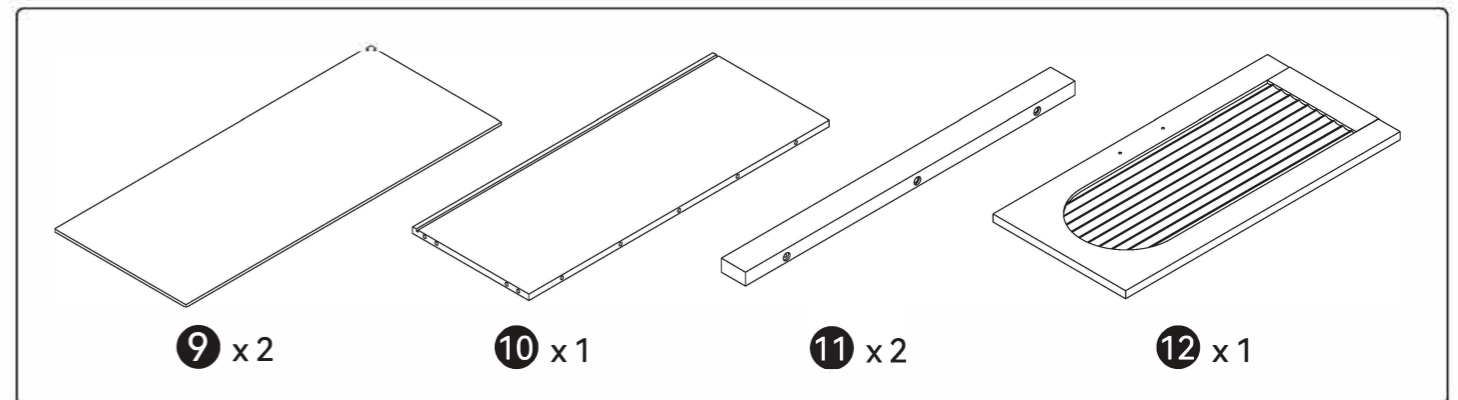
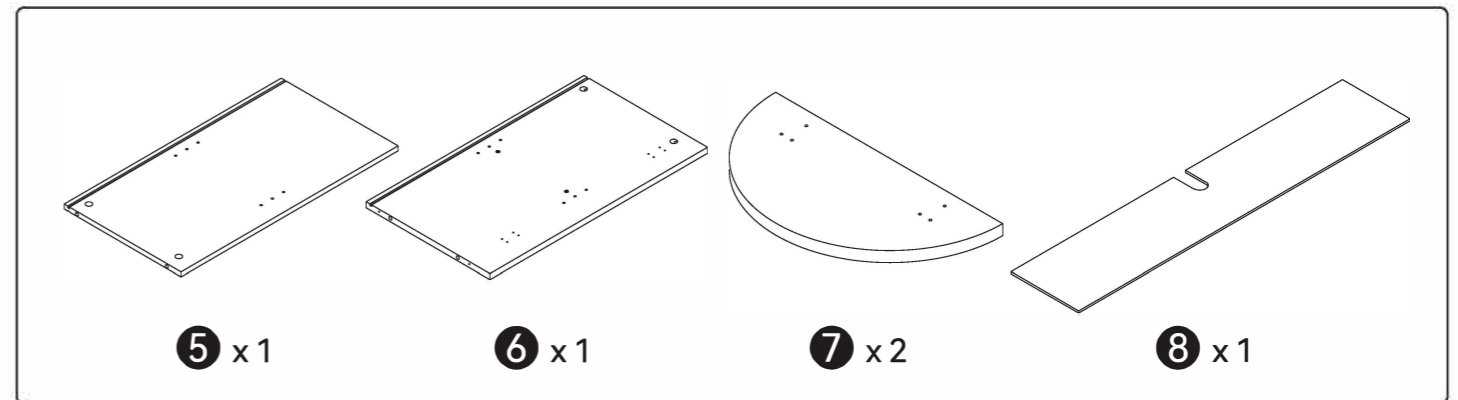
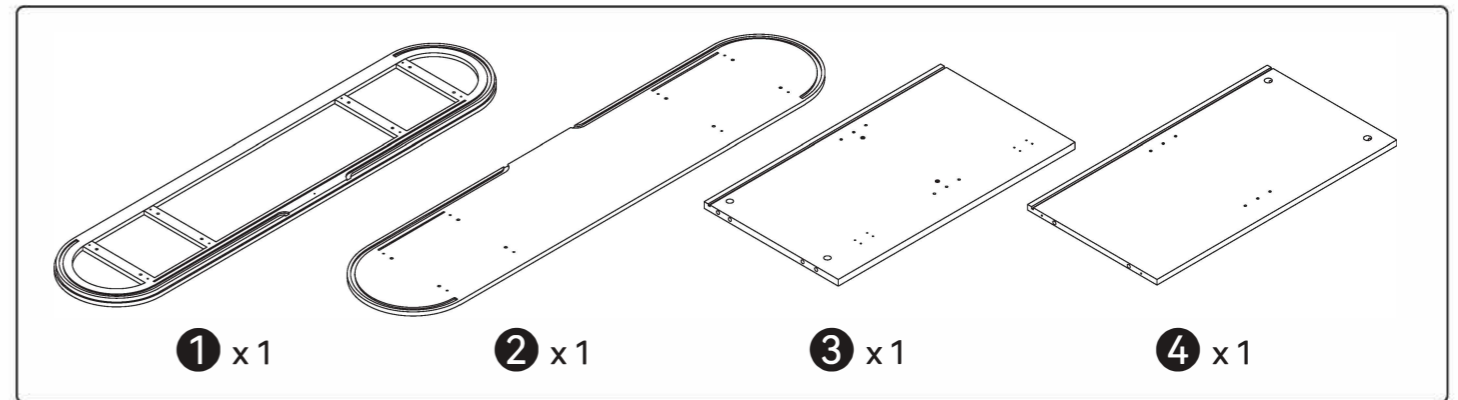


# PARTS DIAGRAM

Check if all parts and hardwares are included. Contact us if there is any part missing or damaged.



# PARTS LIST

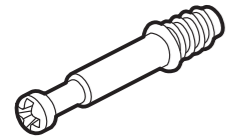


# HARDWARES

# SPARE PARTS



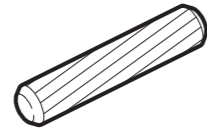
The spare parts are the additional parts provided in case of missing or damaged ones. Keep the spare parts and tools for future use.



**A** x 17

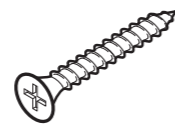


**B** x 17



Ø6x30mm

**C** x 30



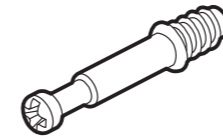
M4x35mm

**D** x 19



M3.5x14mm

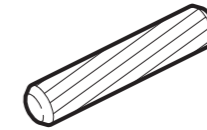
**E** x 24



**A** x 1

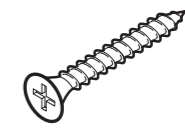


**B** x 1



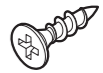
Ø6x30mm

**C** x 3



M4x35mm

**D** x 1



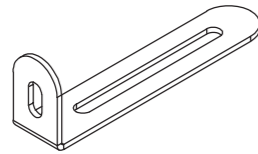
M3.5x14mm

**E** x 2



M4x14mm

**F** x 33

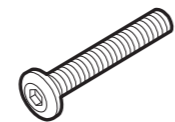


**G** x 1



M4x8mm

**H** x 4



M6x40mm

**I** x 4



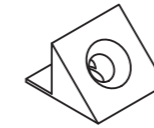
M6x10mm

**J** x 8



M4x14mm

**F** x 3

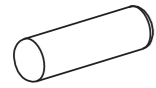


**O** x 1



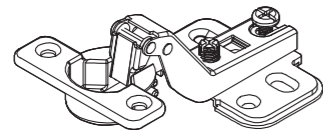
M3x16mm

**P** x 1

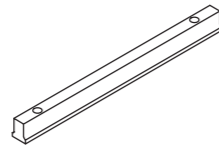


Ø5x25mm

**K** x 8



**L** x 4

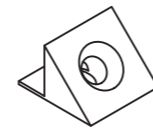


**M** x 4



M4x16mm

**N** x 4

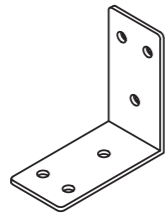


**O** x 12

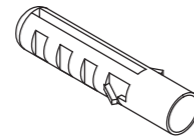


M3x16mm

**P** x 12

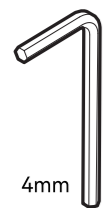


**Q** x 4



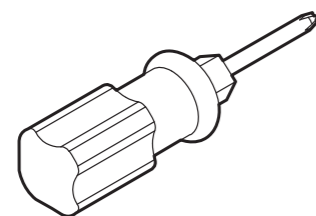
Ø6x30mm

**R** x 1



4mm


x 1

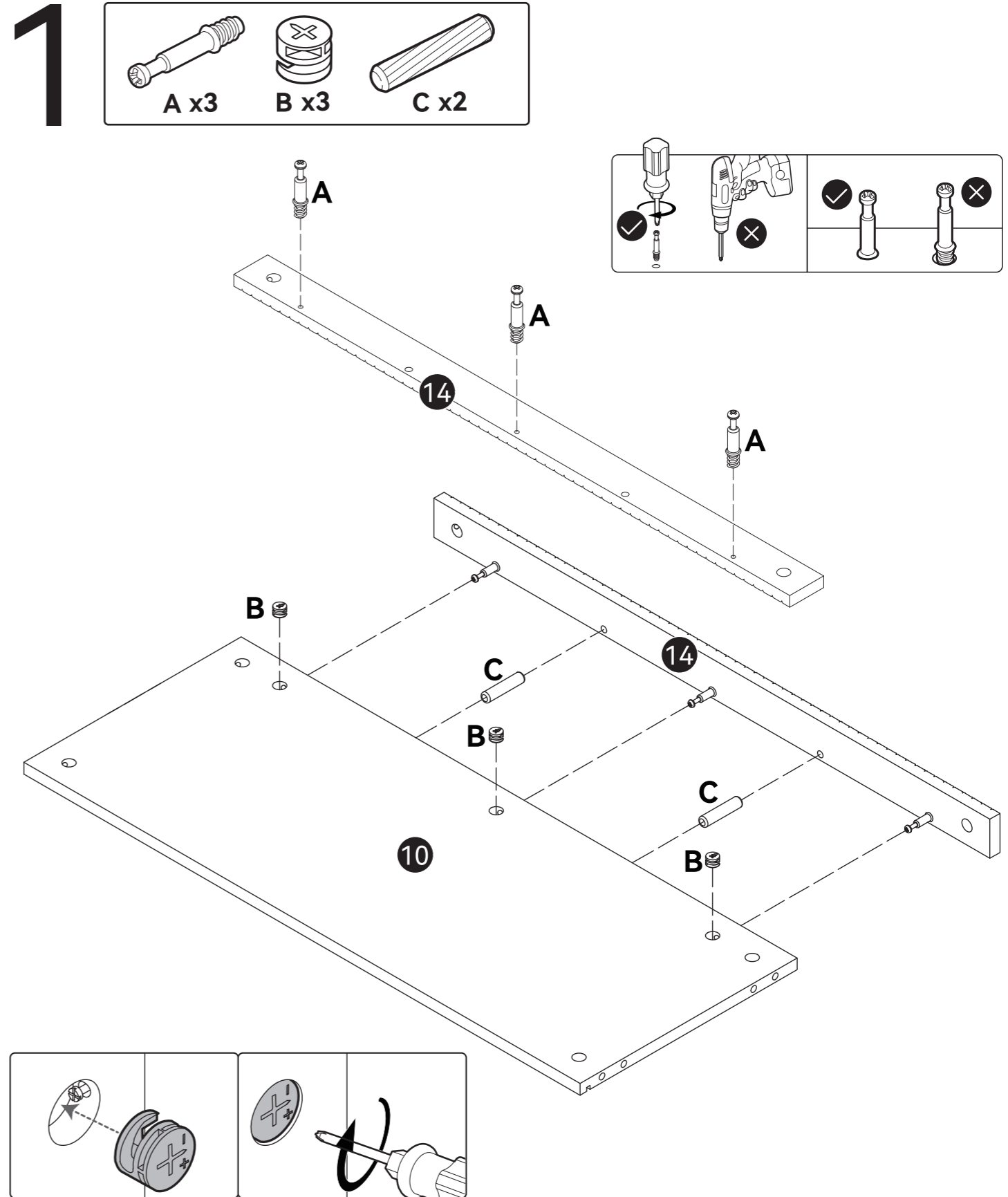
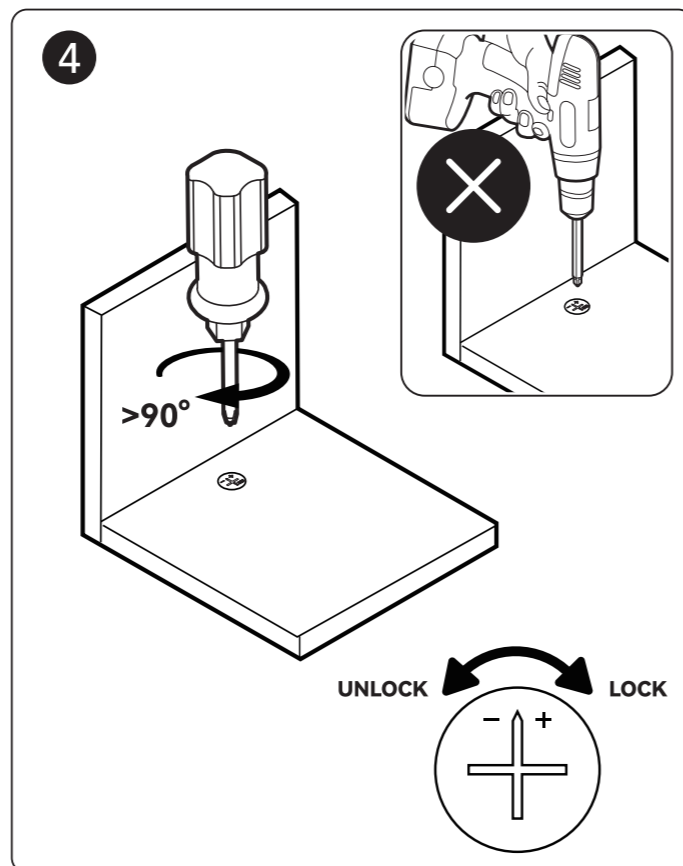
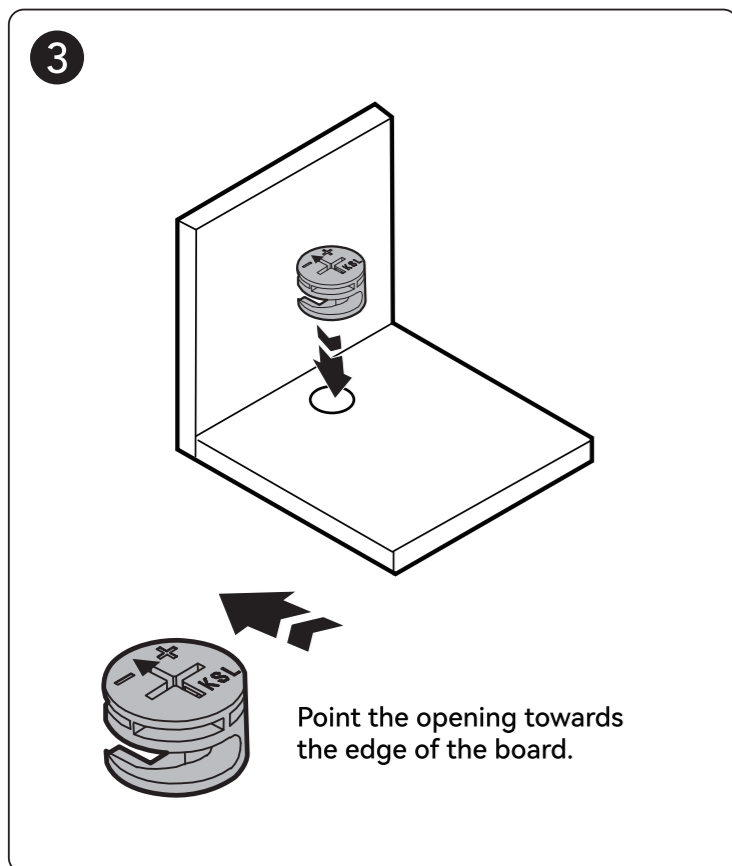
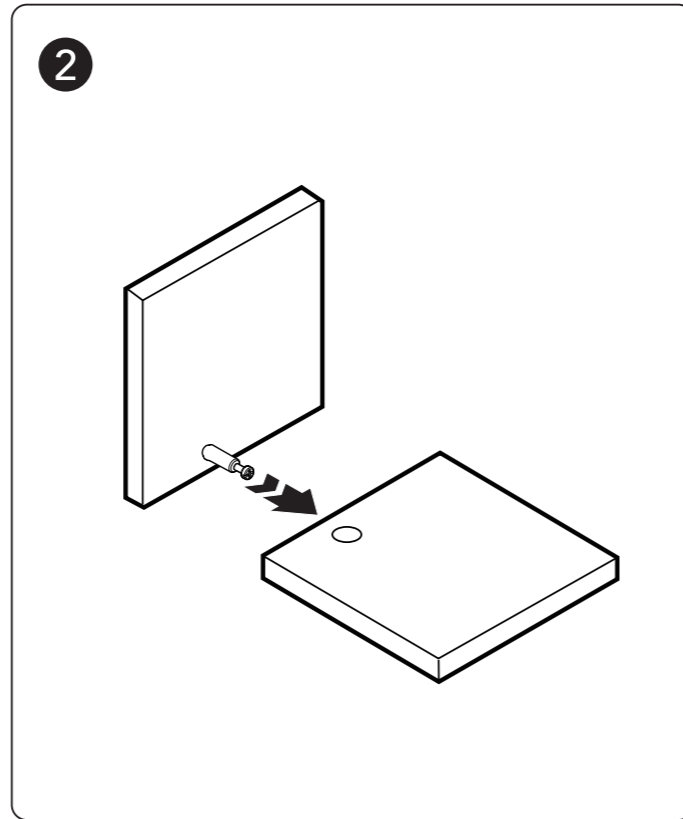
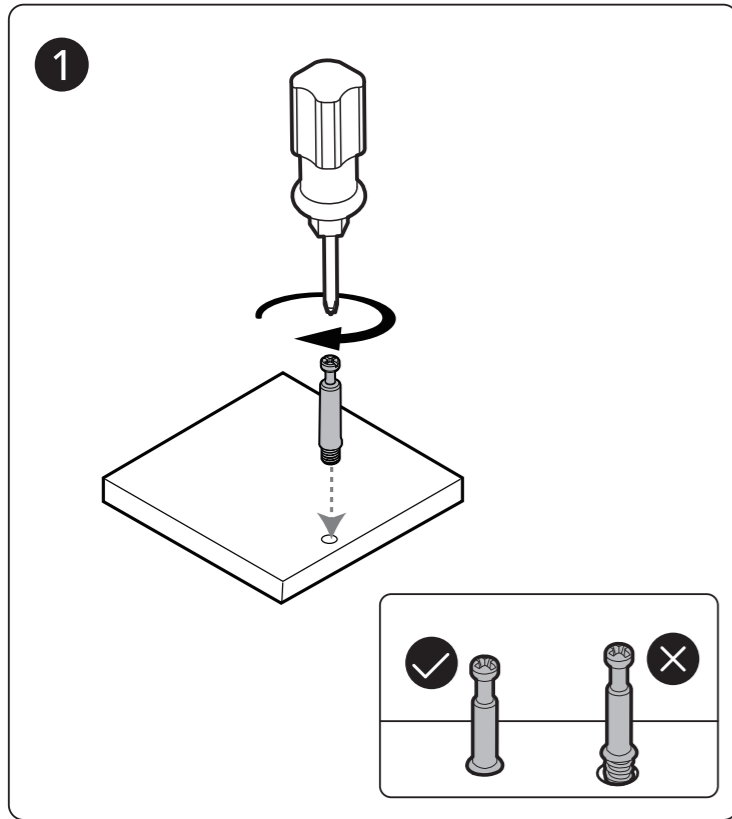


x 1

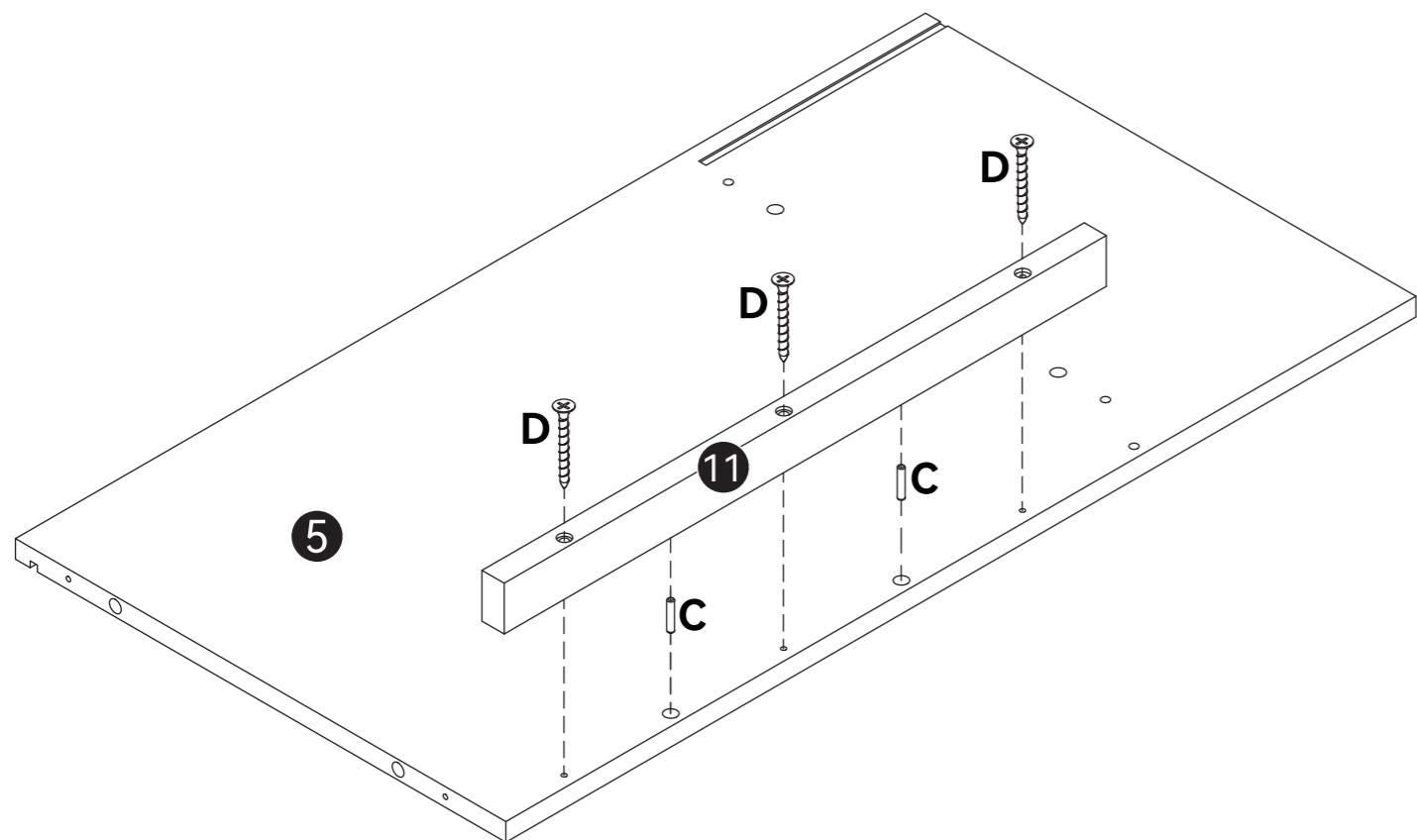
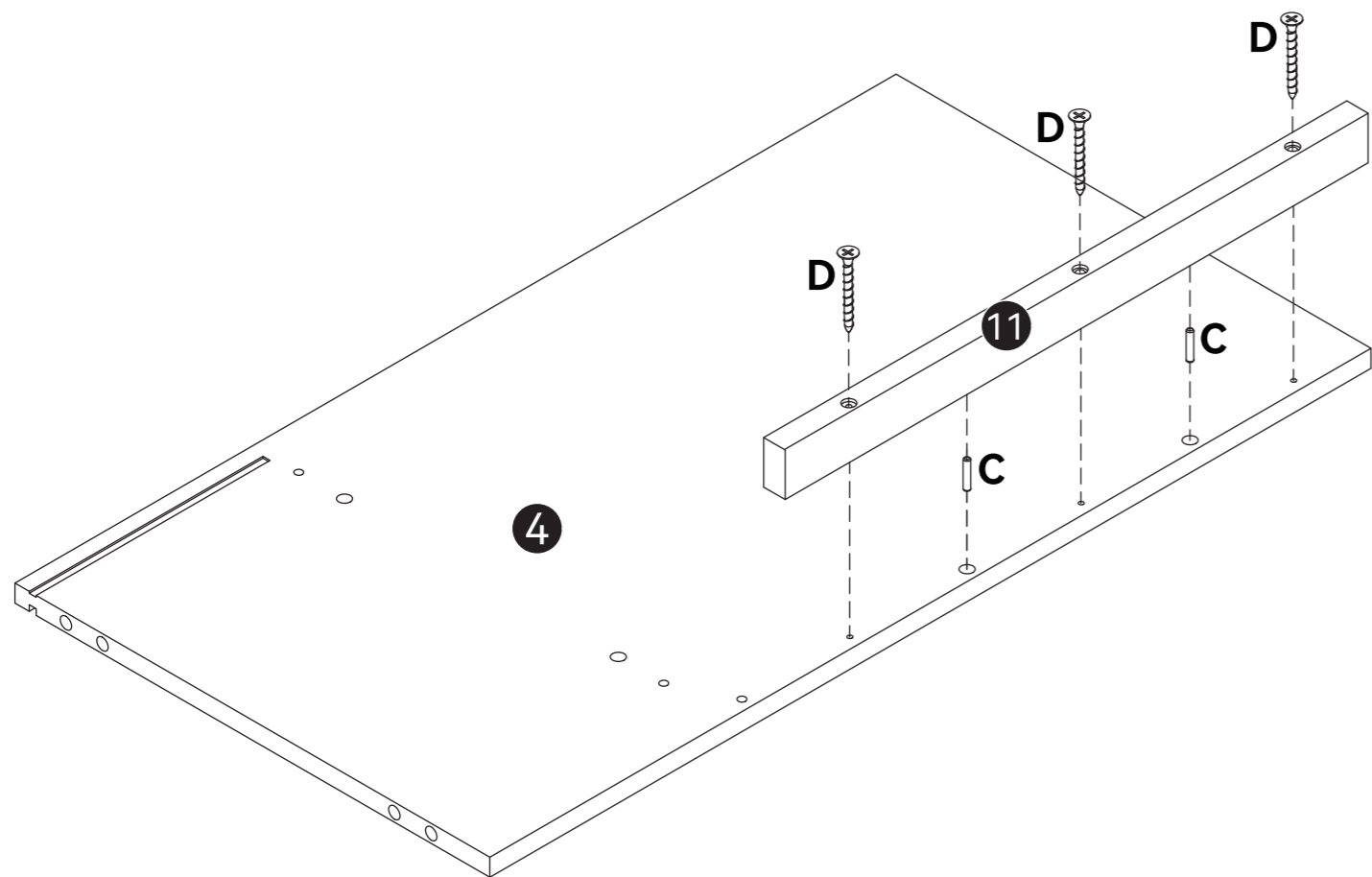
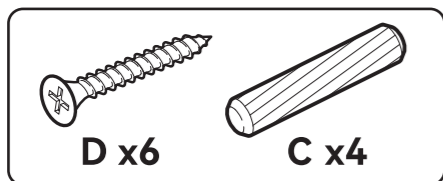
# CAM LOCK FASTEN SYSTEM

# ASSEMBLY

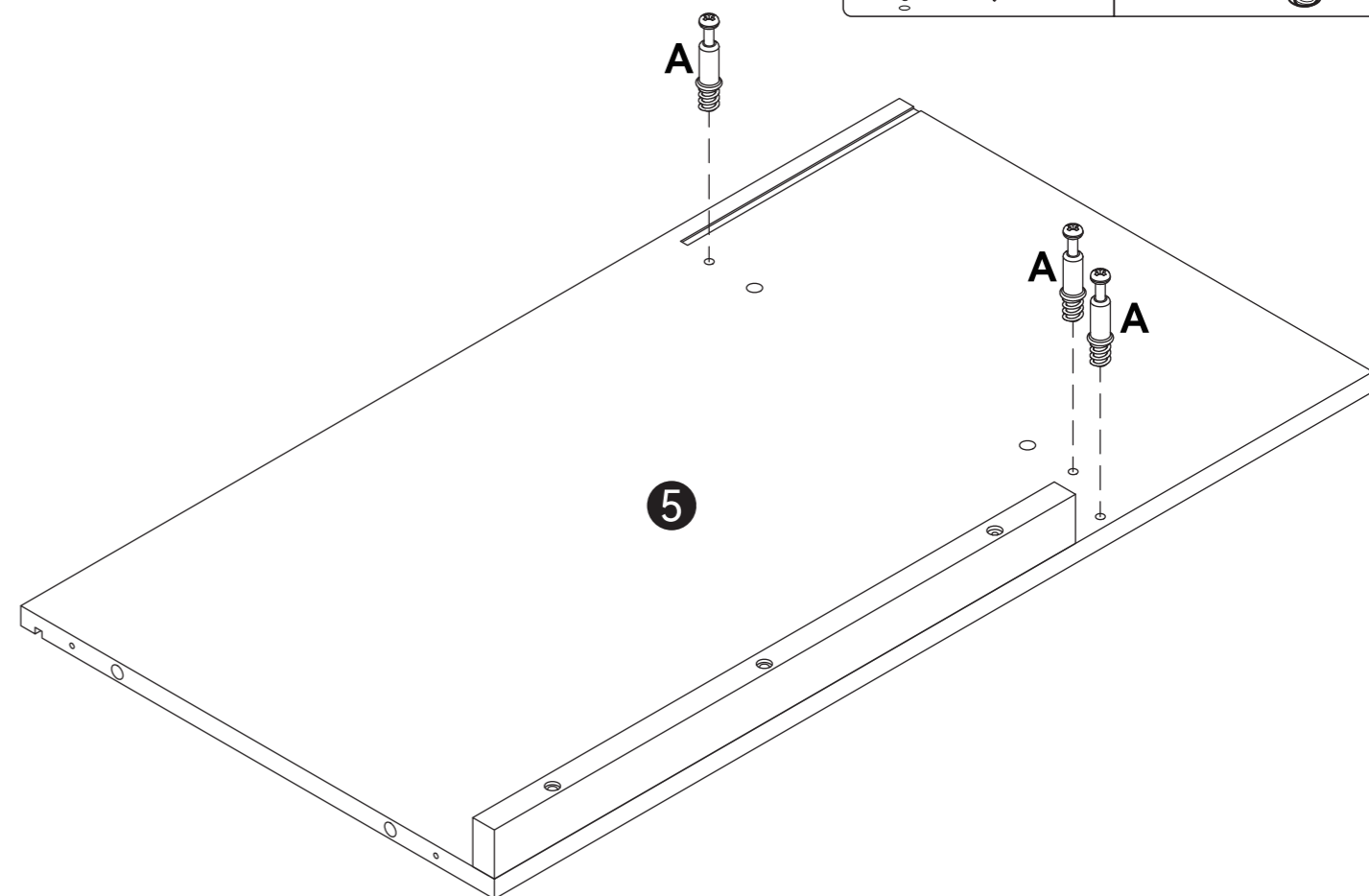
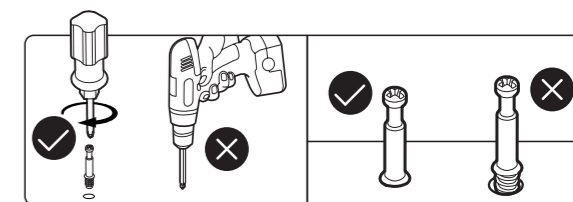
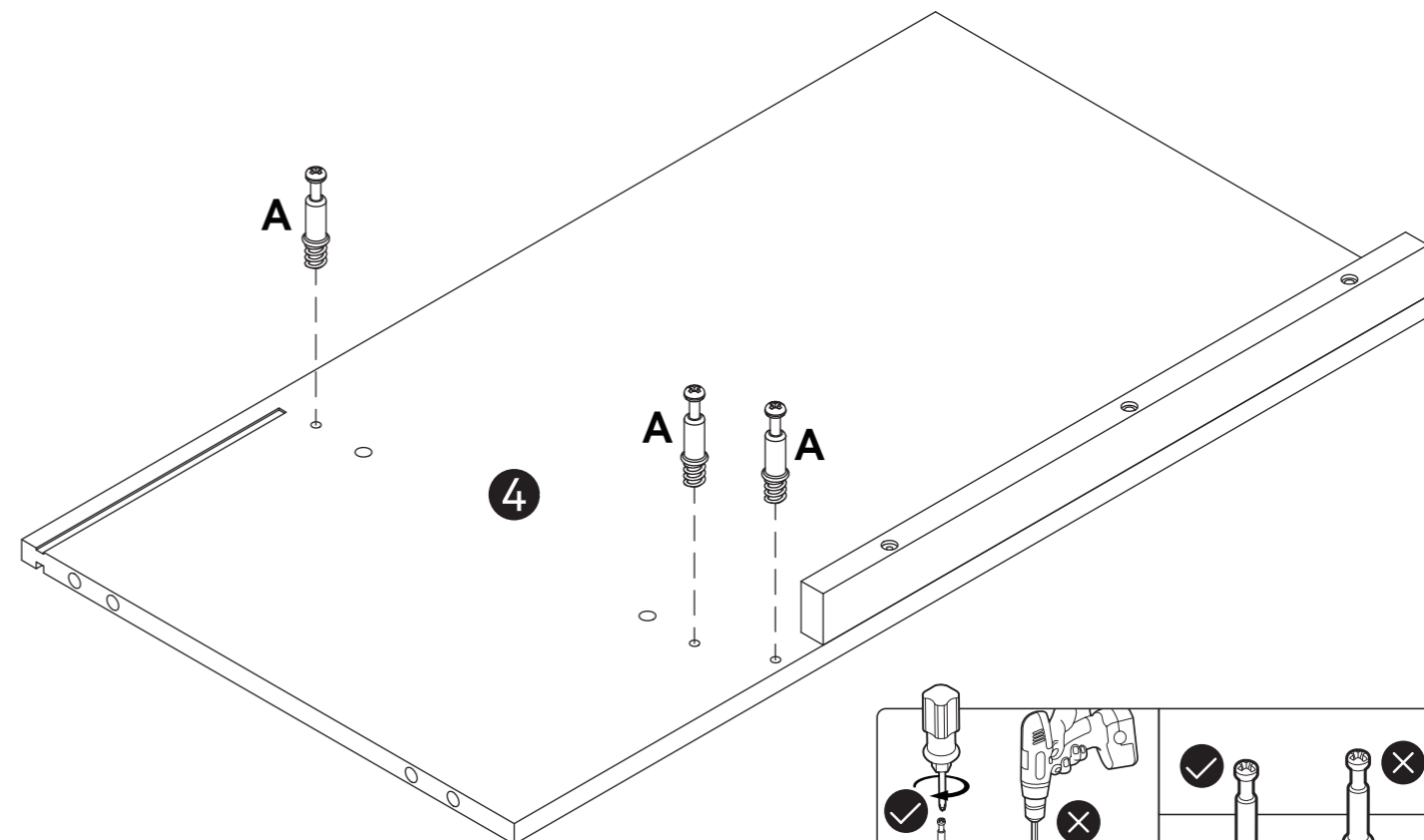
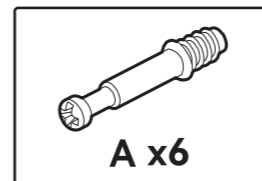
 Insert the cam bolt into the hole, then insert the cam lock and tighten.



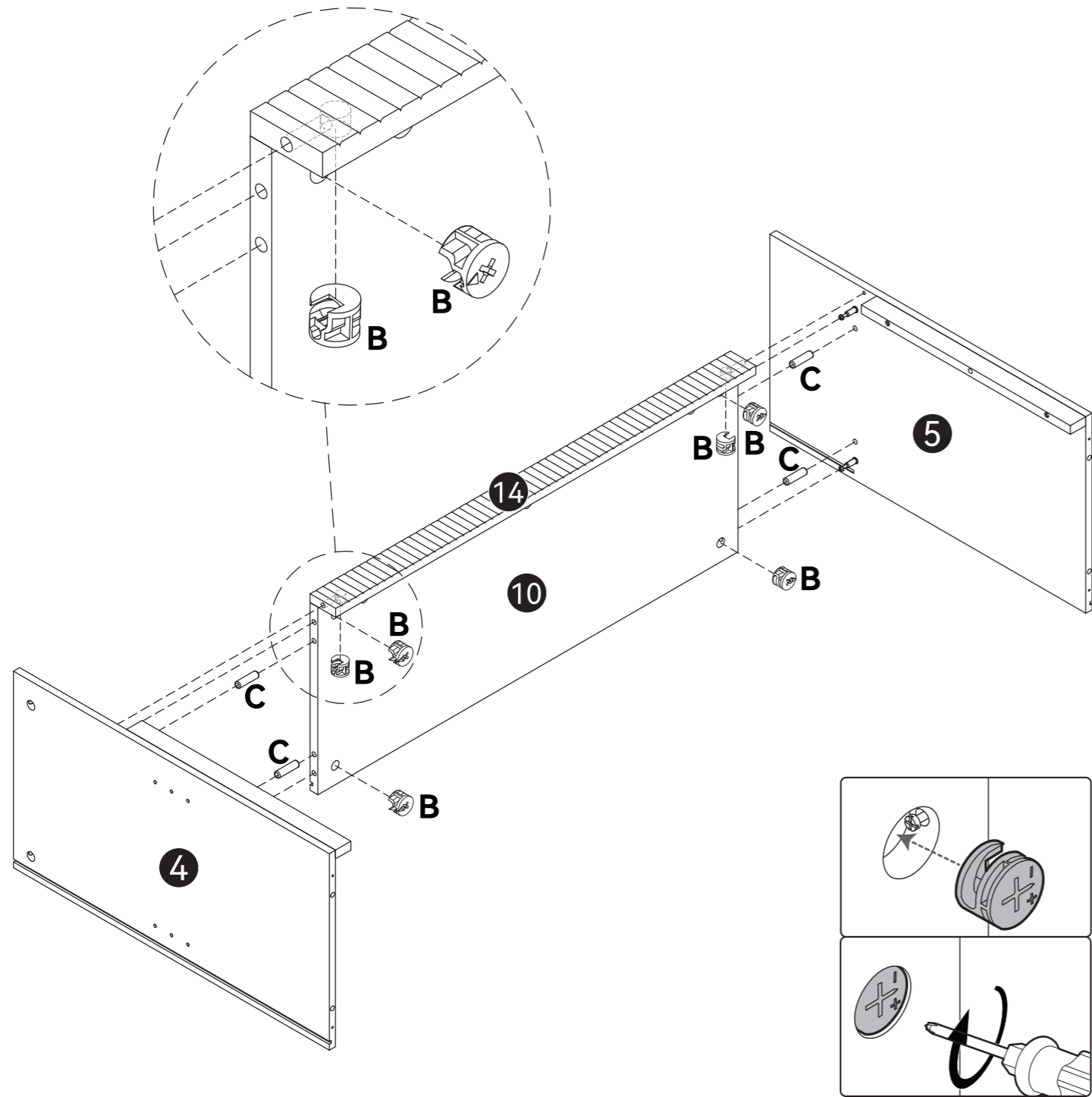
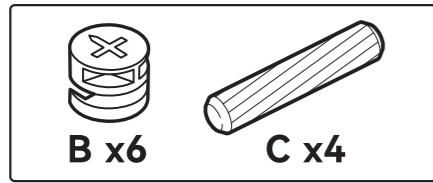
# 2



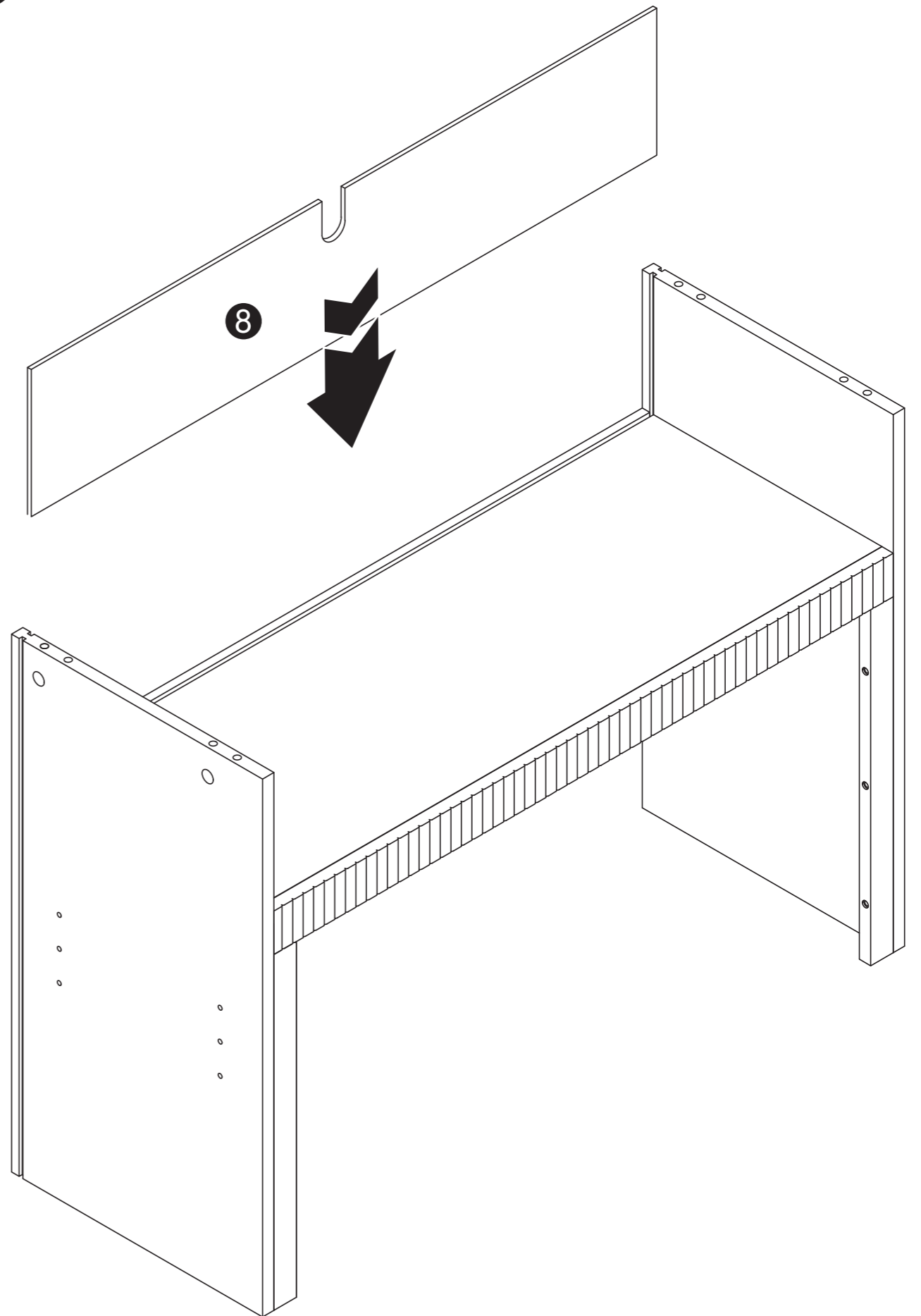
# 3



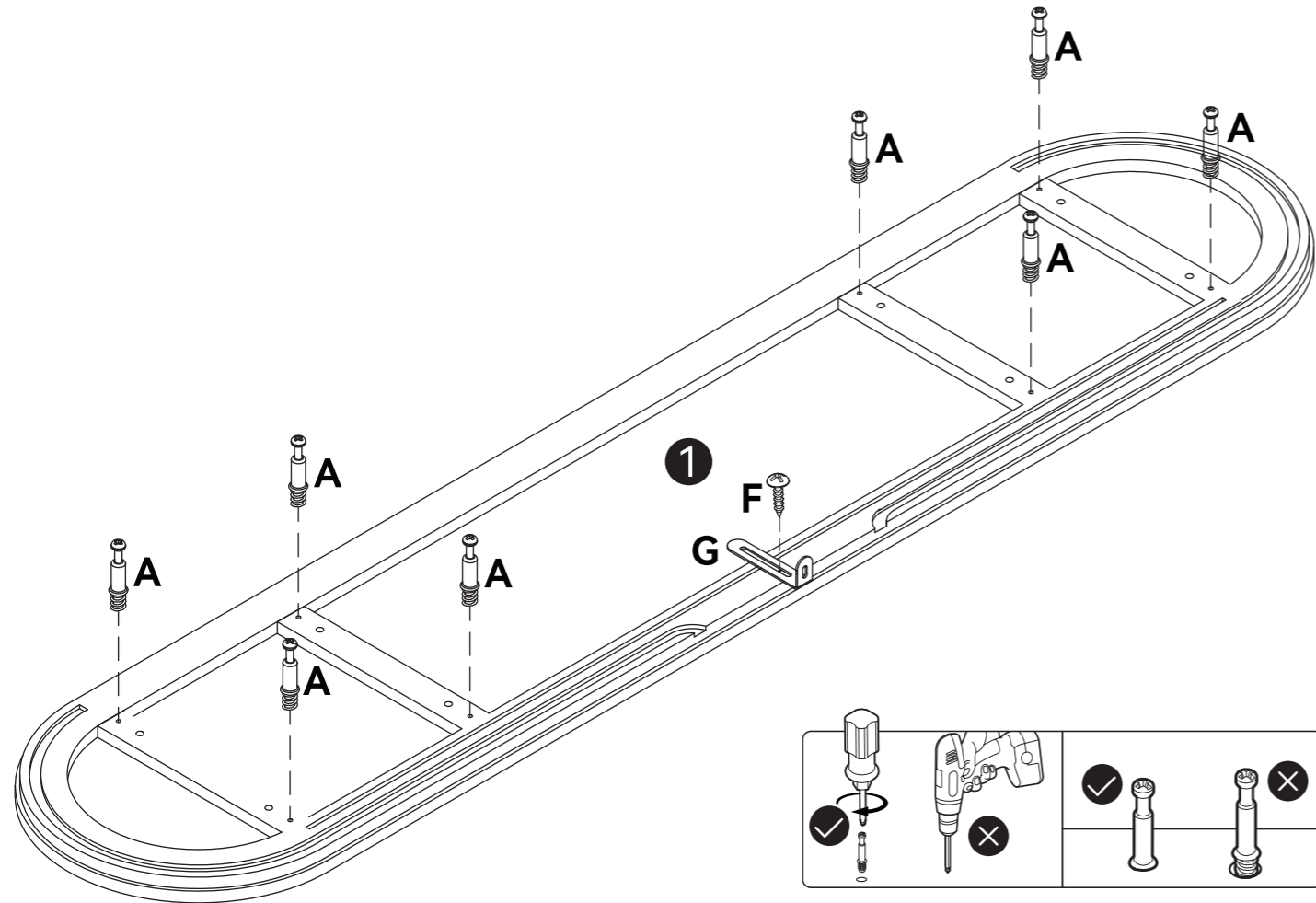
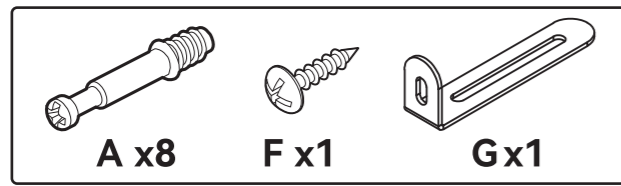
# 4



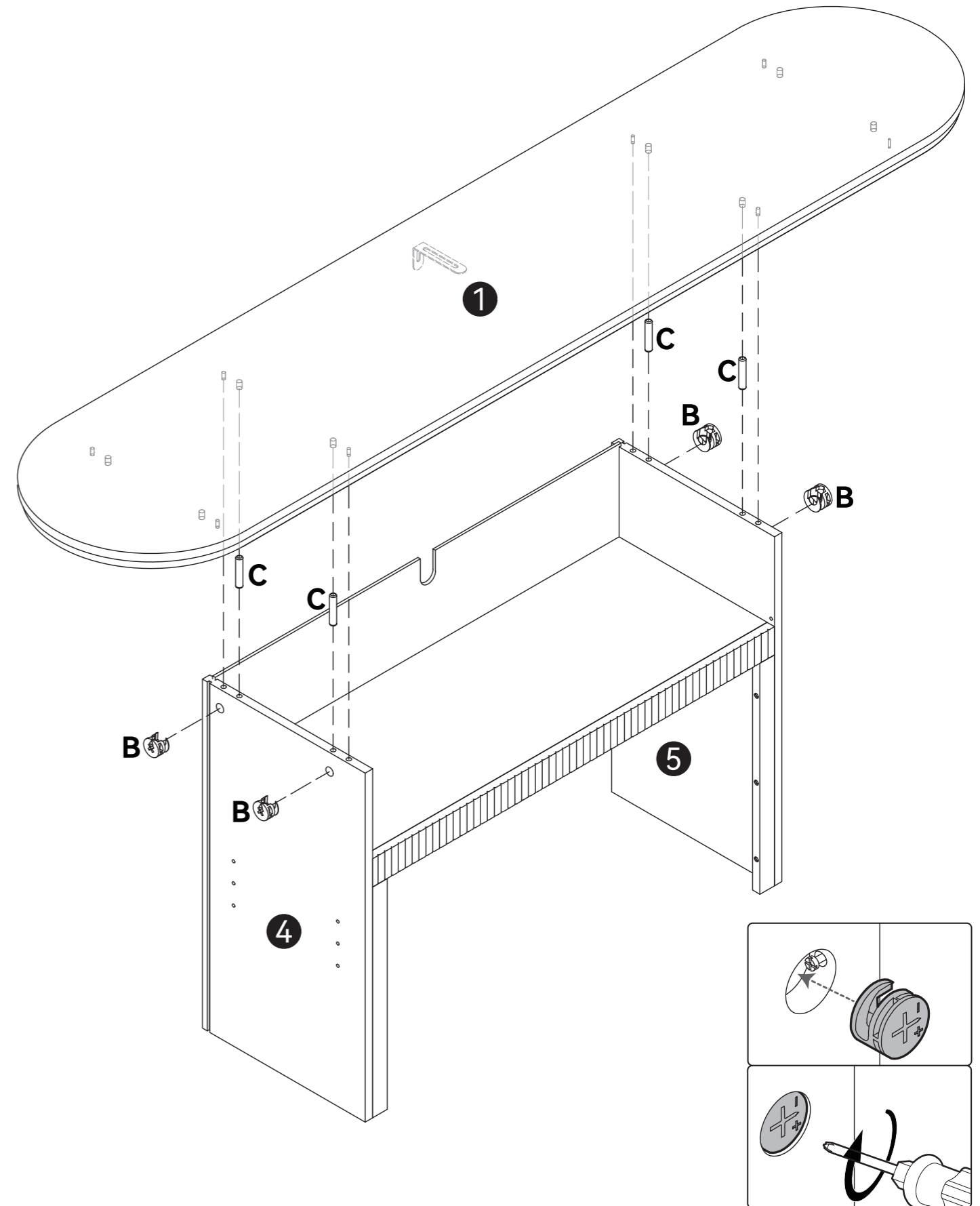
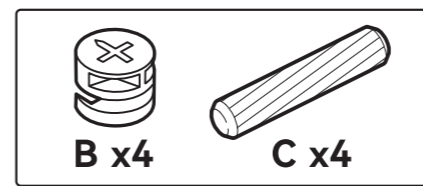
# 5



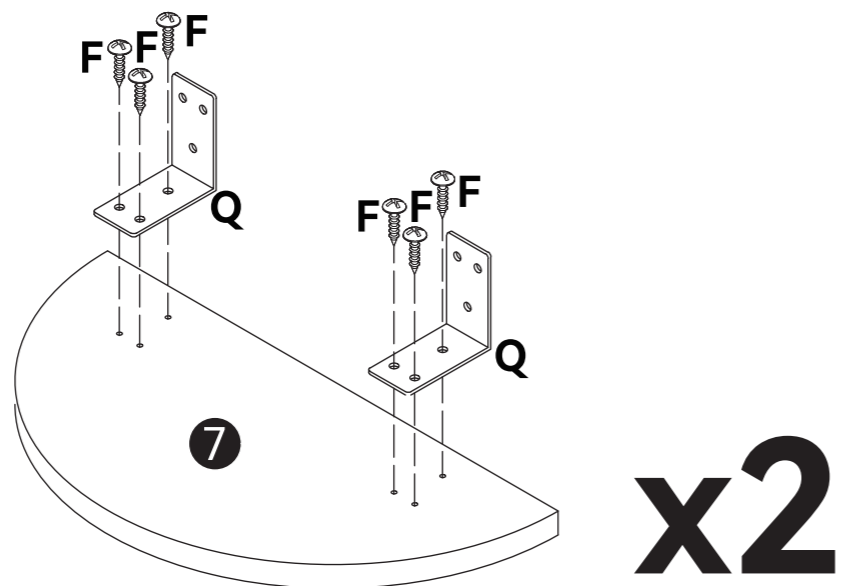
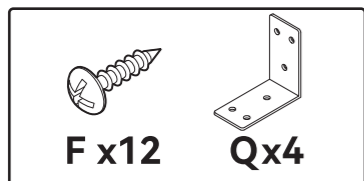
# 6



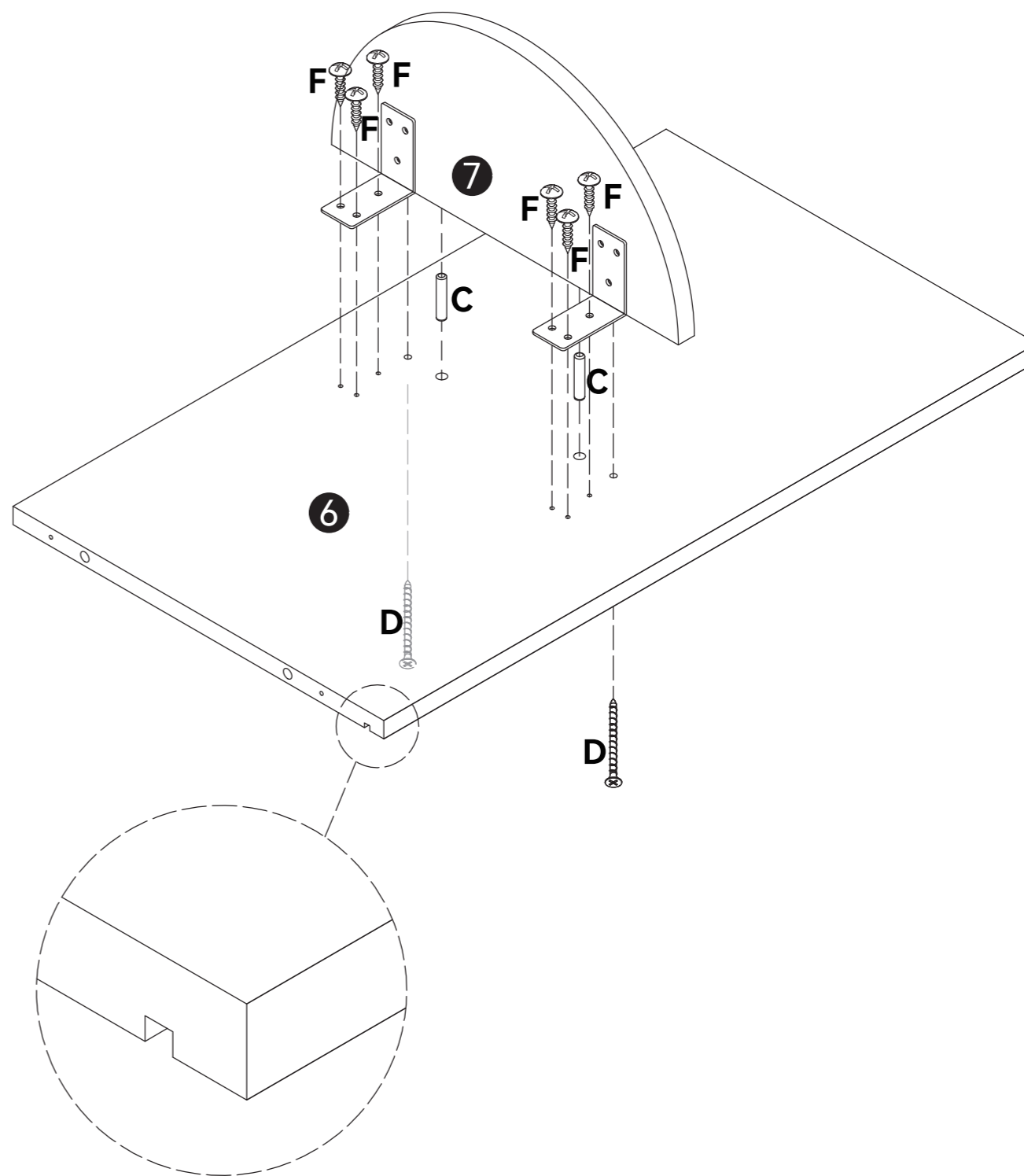
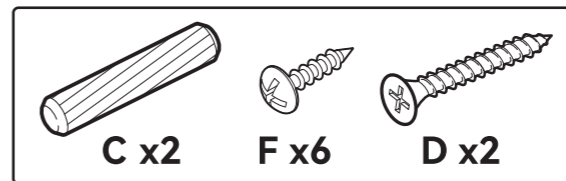
# 7



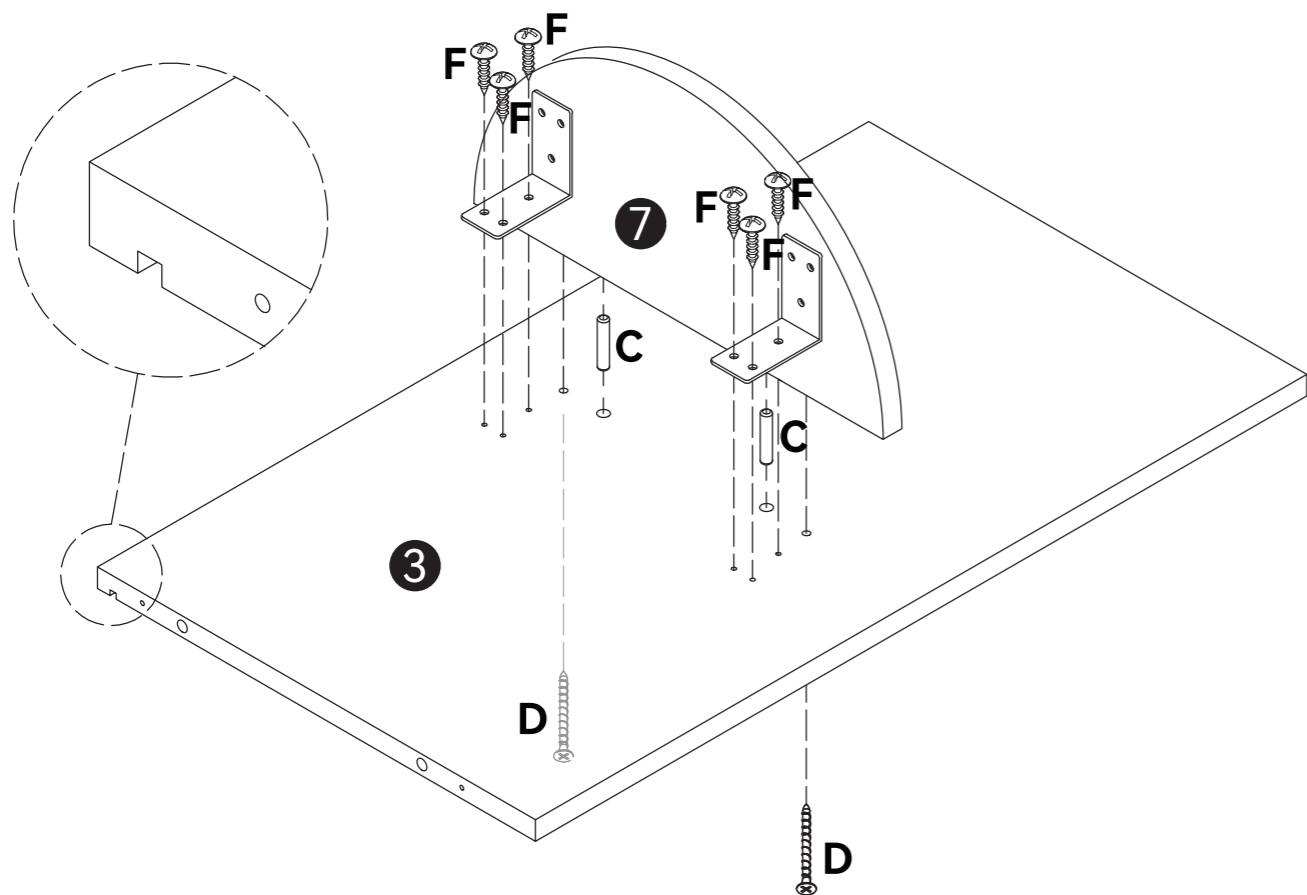
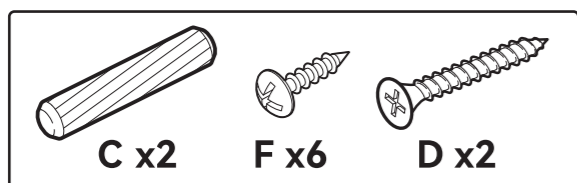
# 8



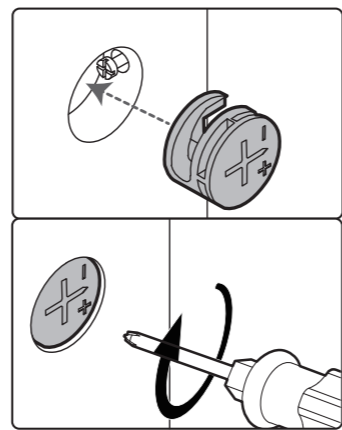
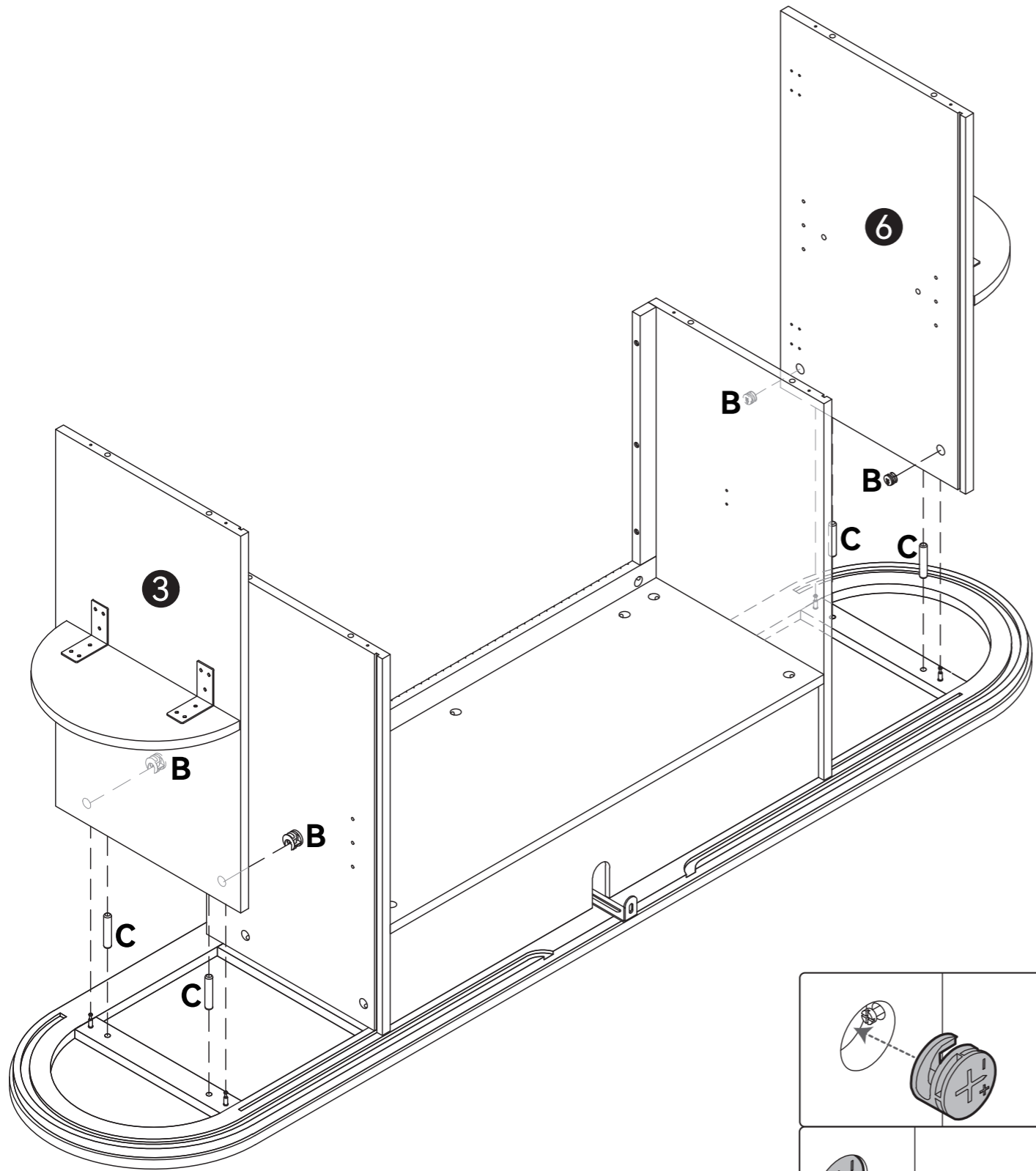
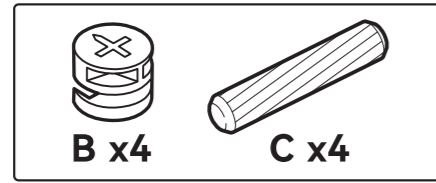
# 10



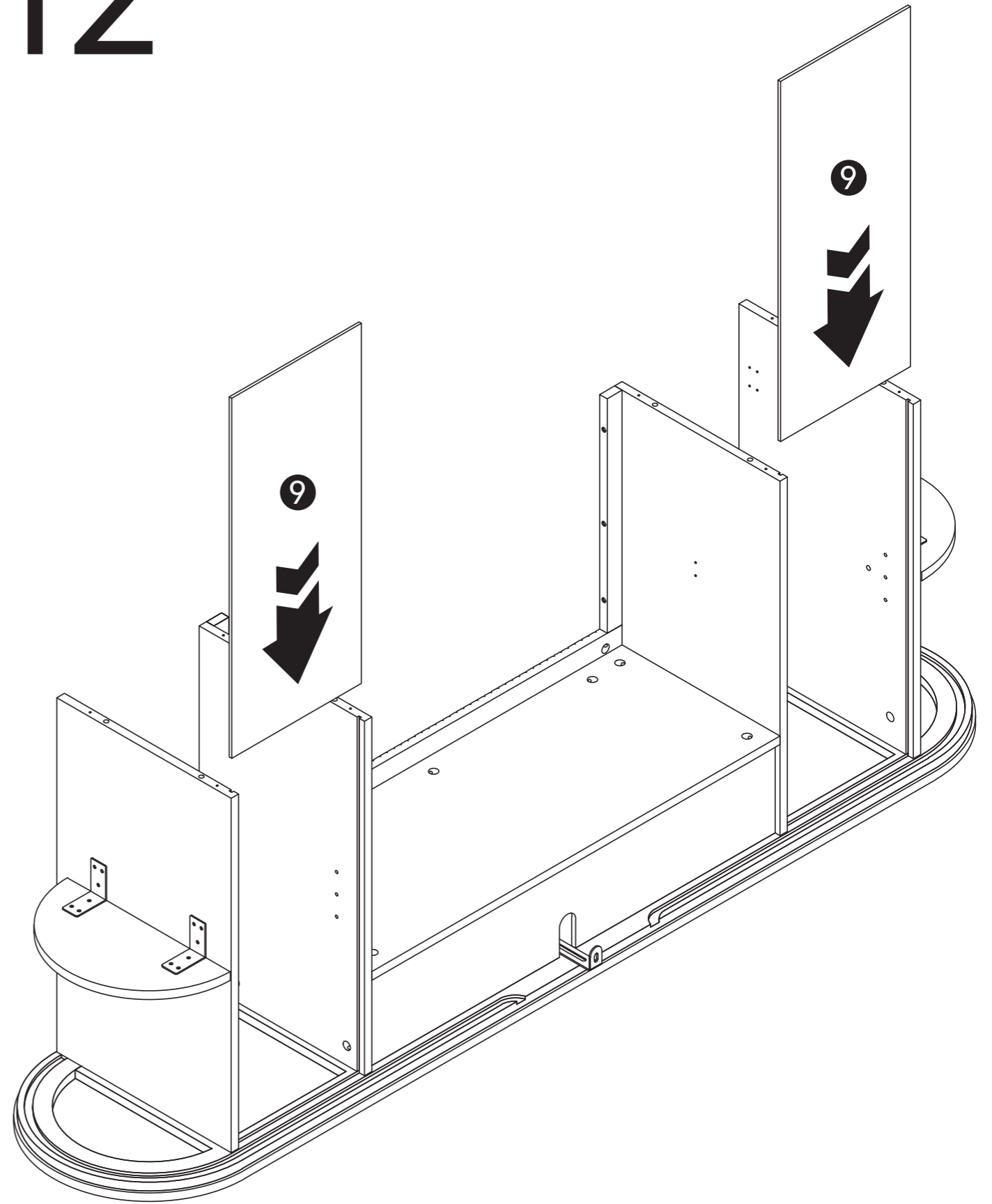
# 9



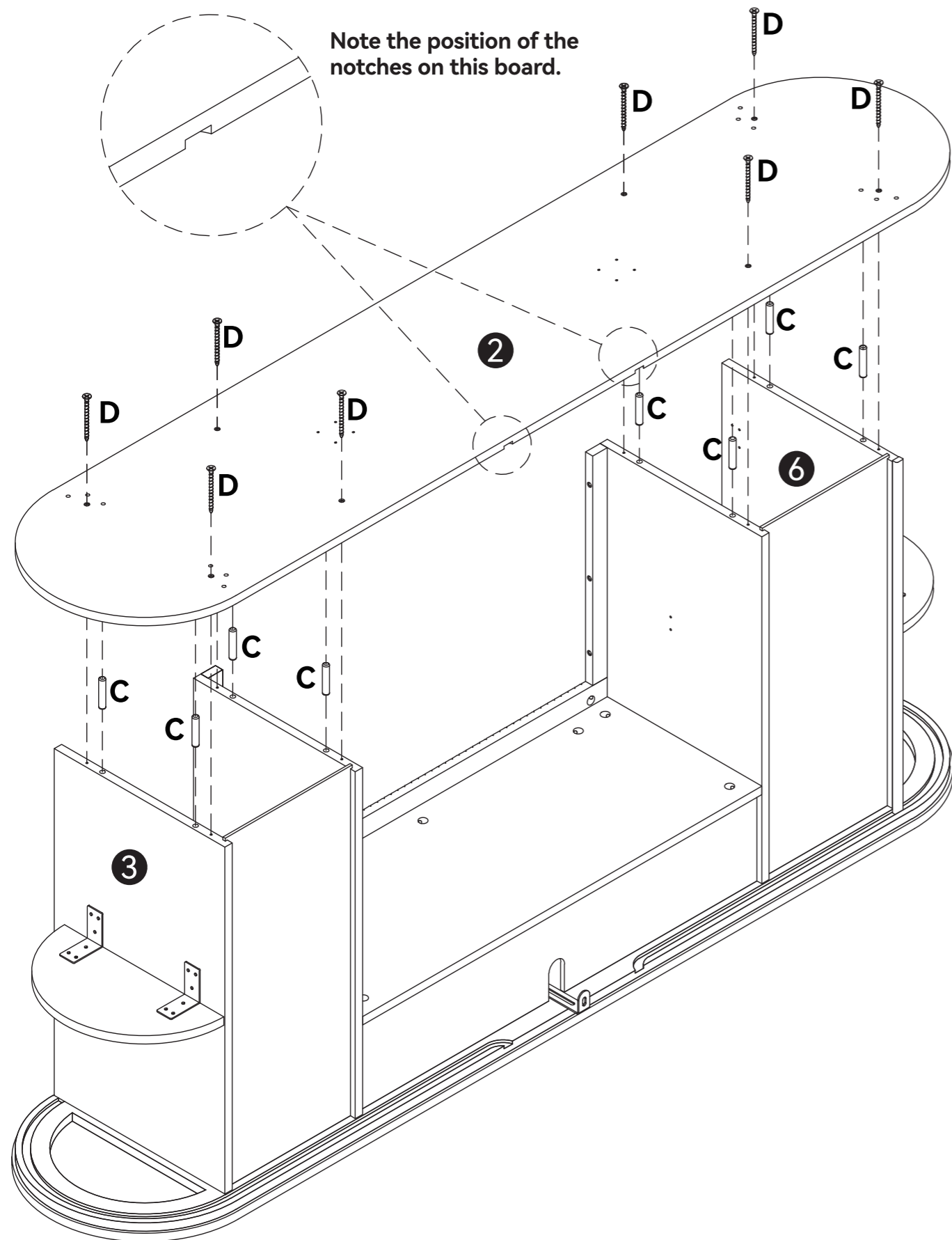
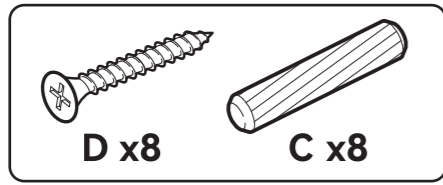
# 11



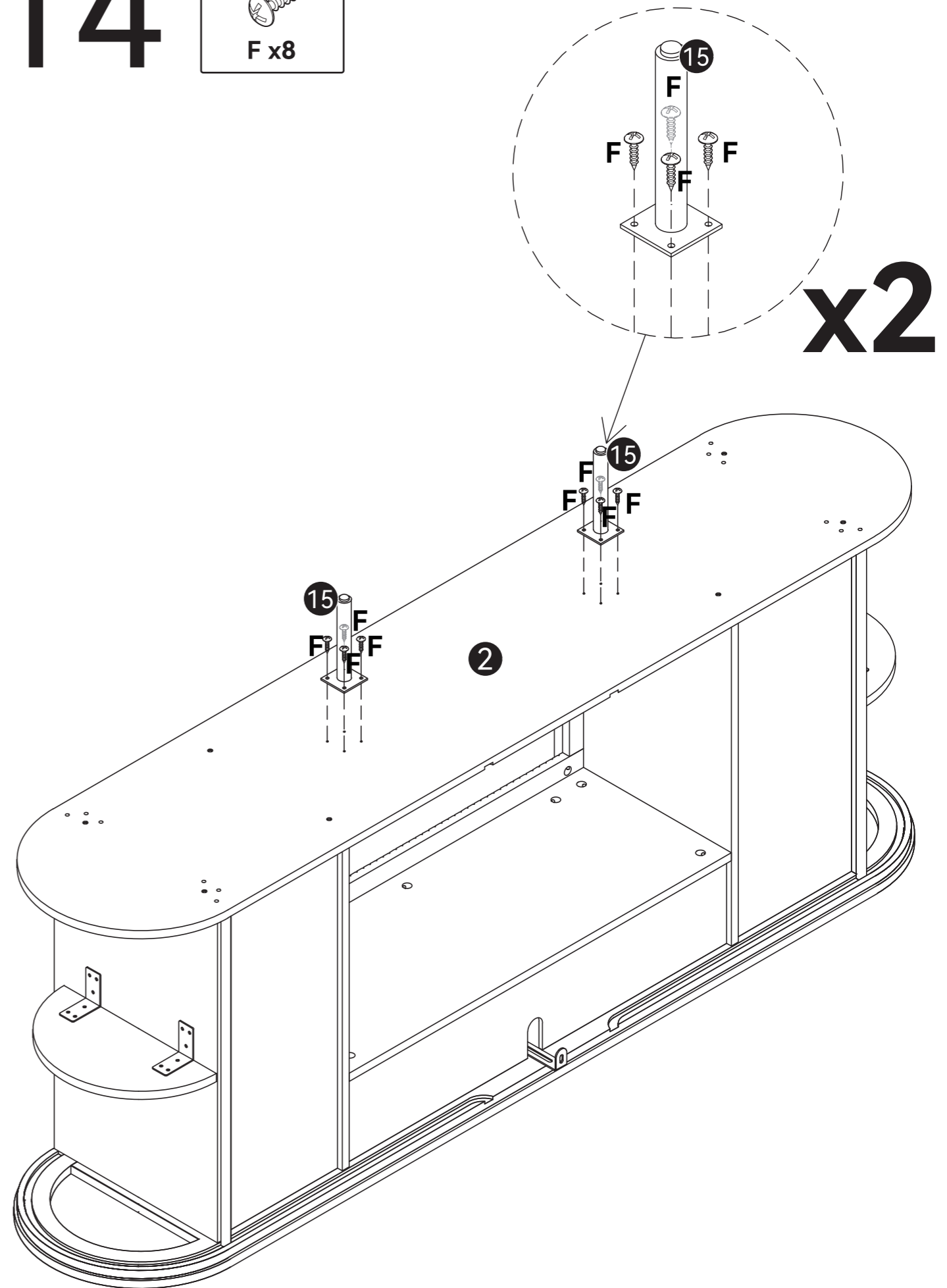
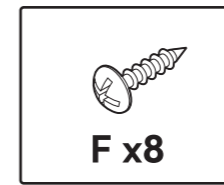
# 12



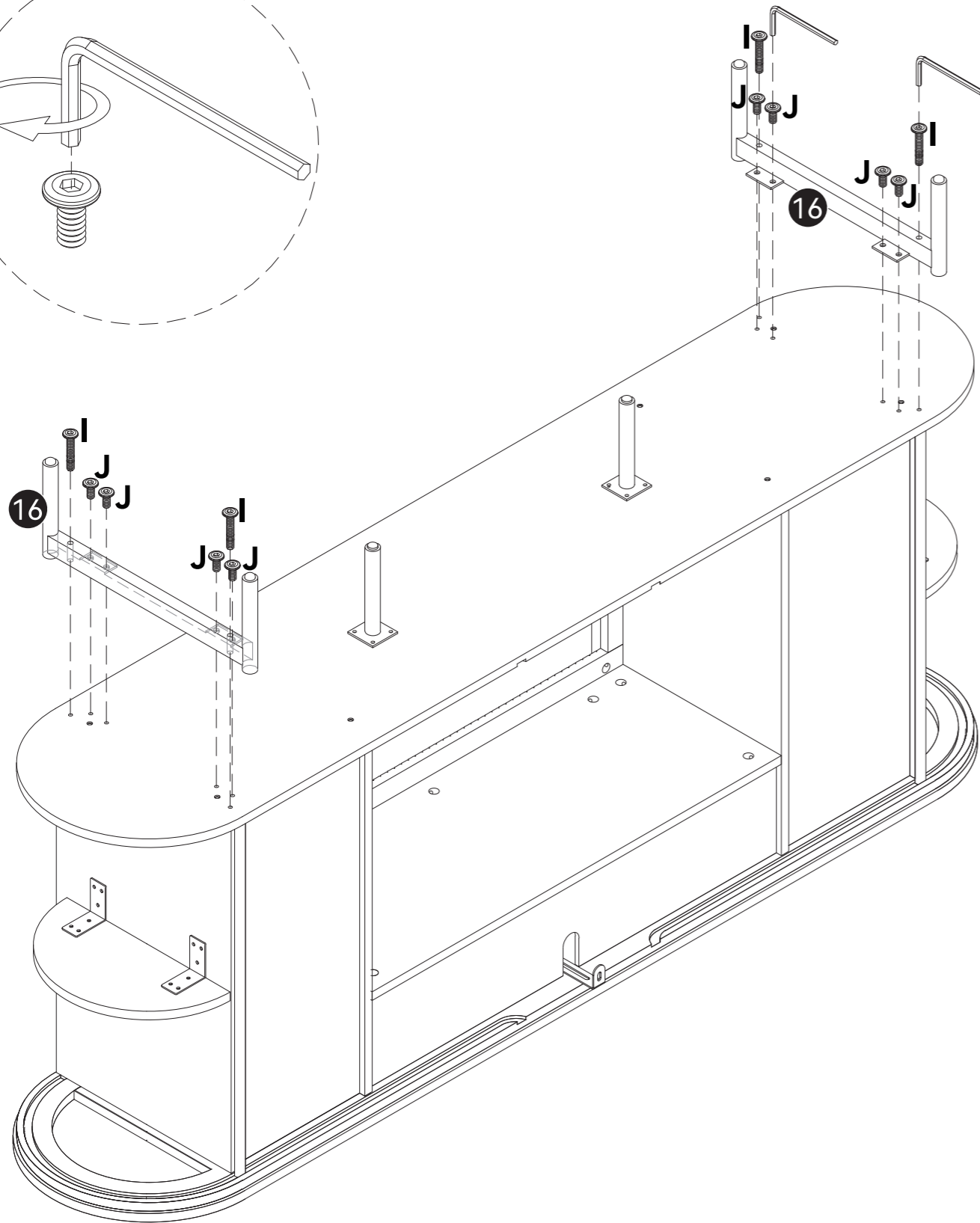
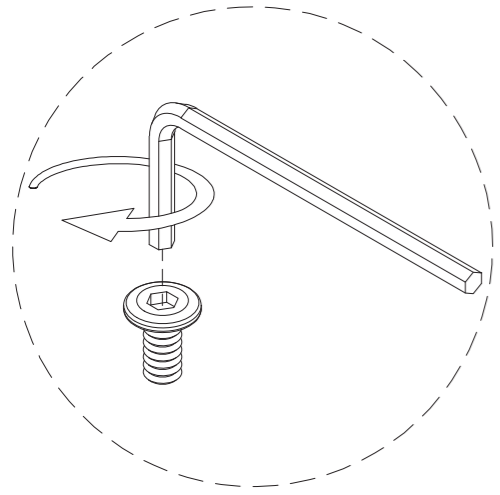
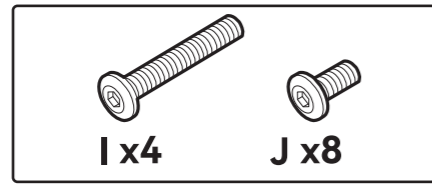
# 13



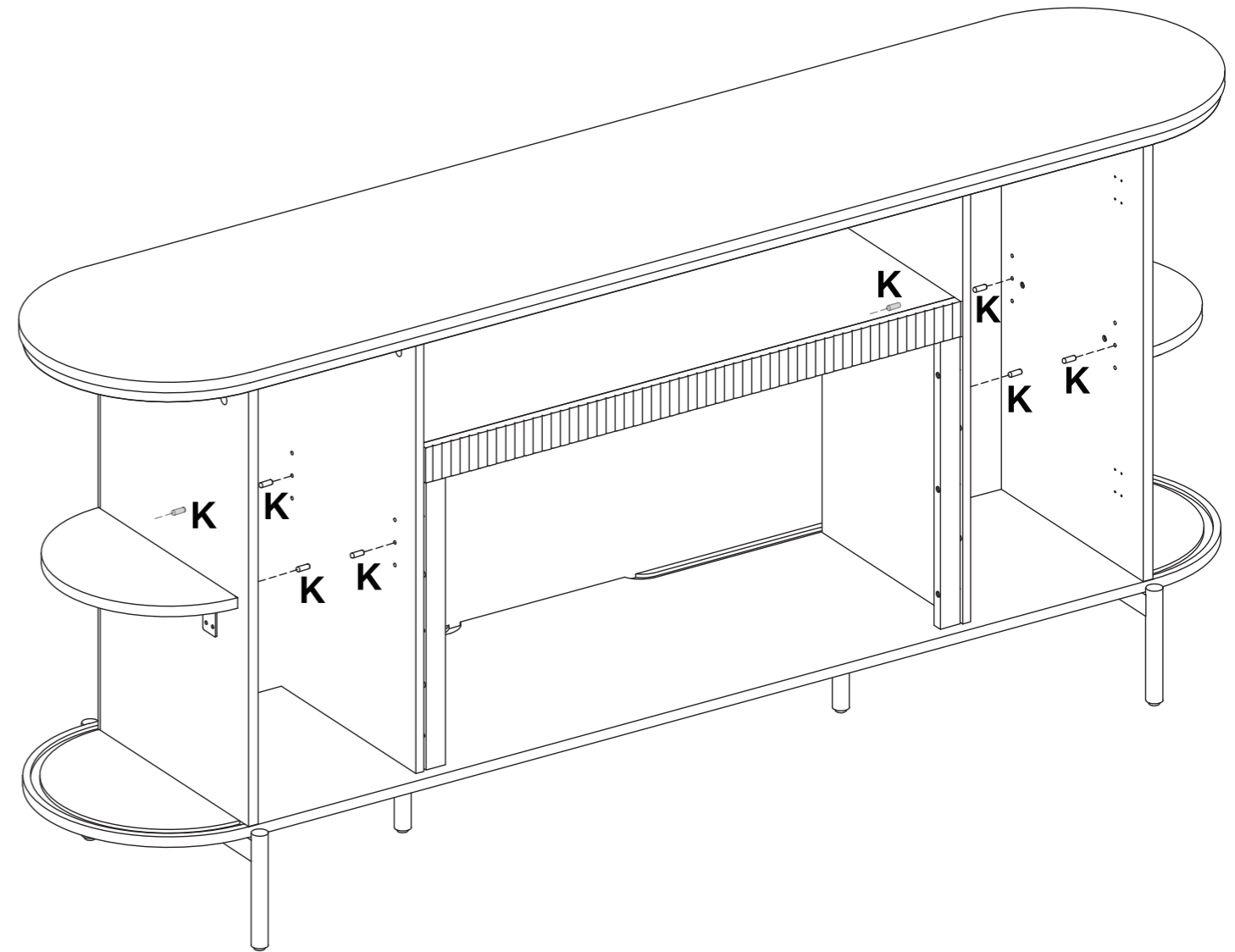
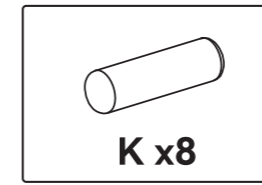
# 14



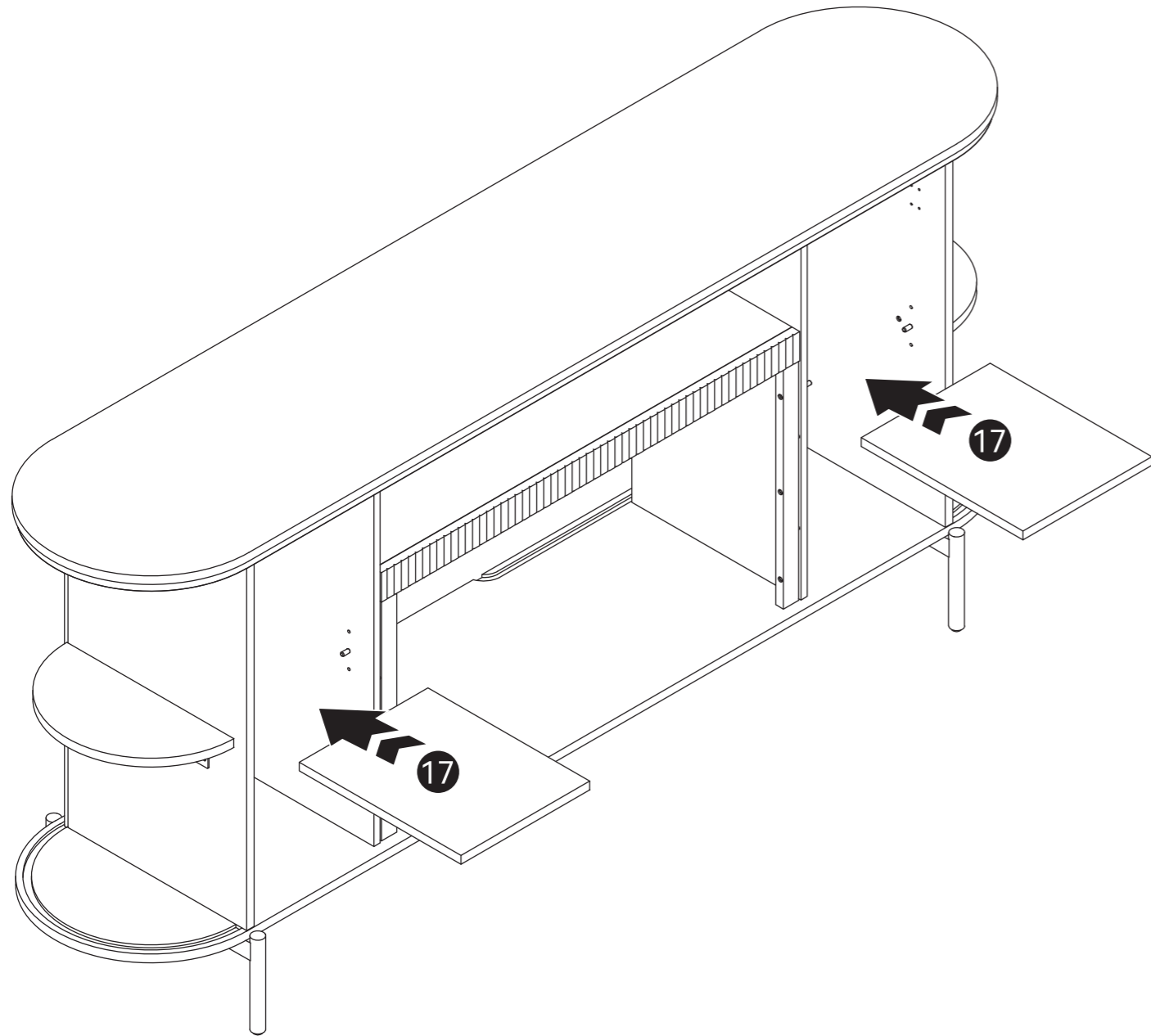
# 15



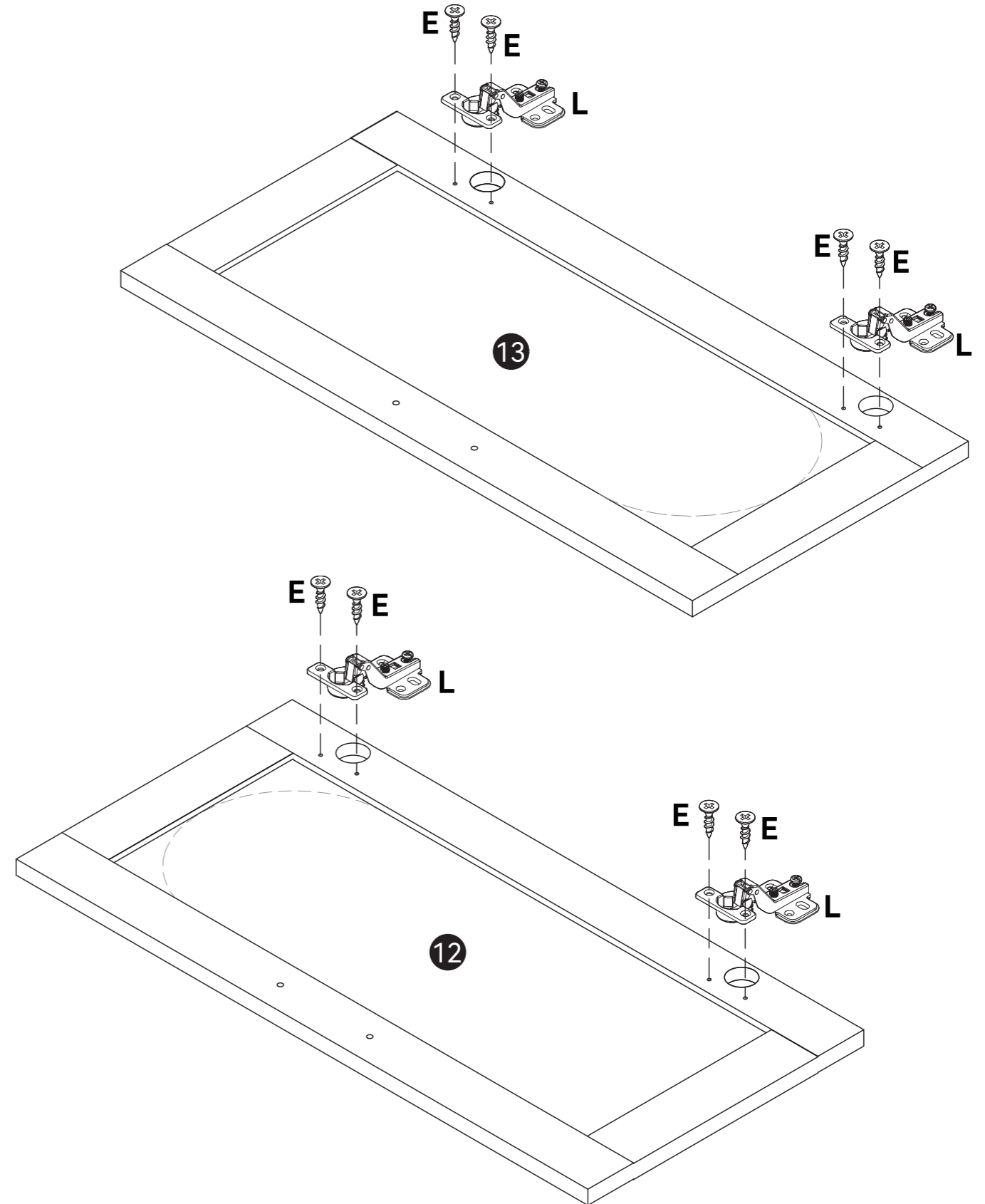
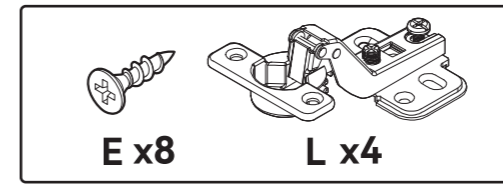
# 16



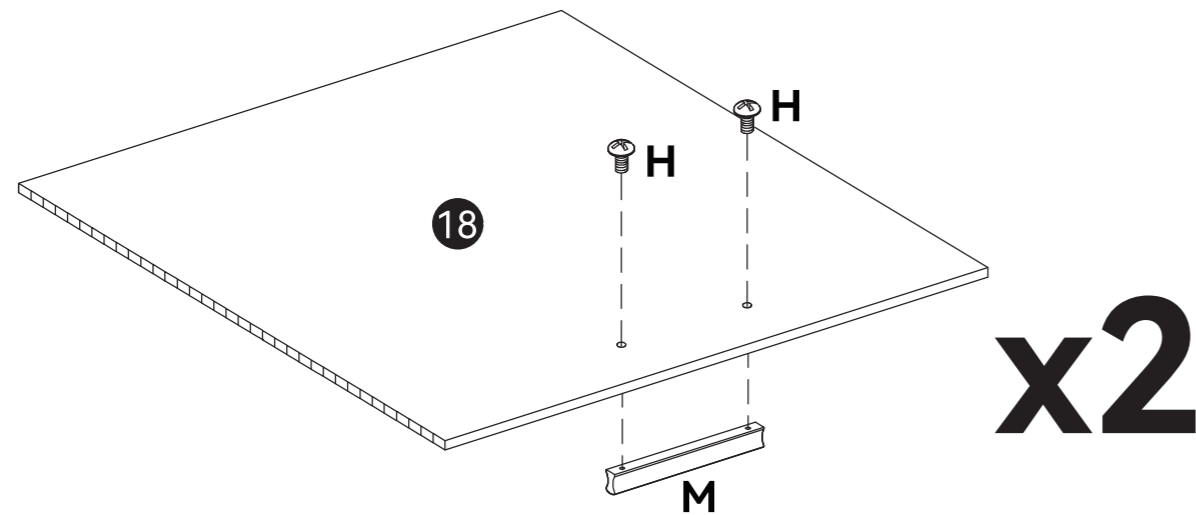
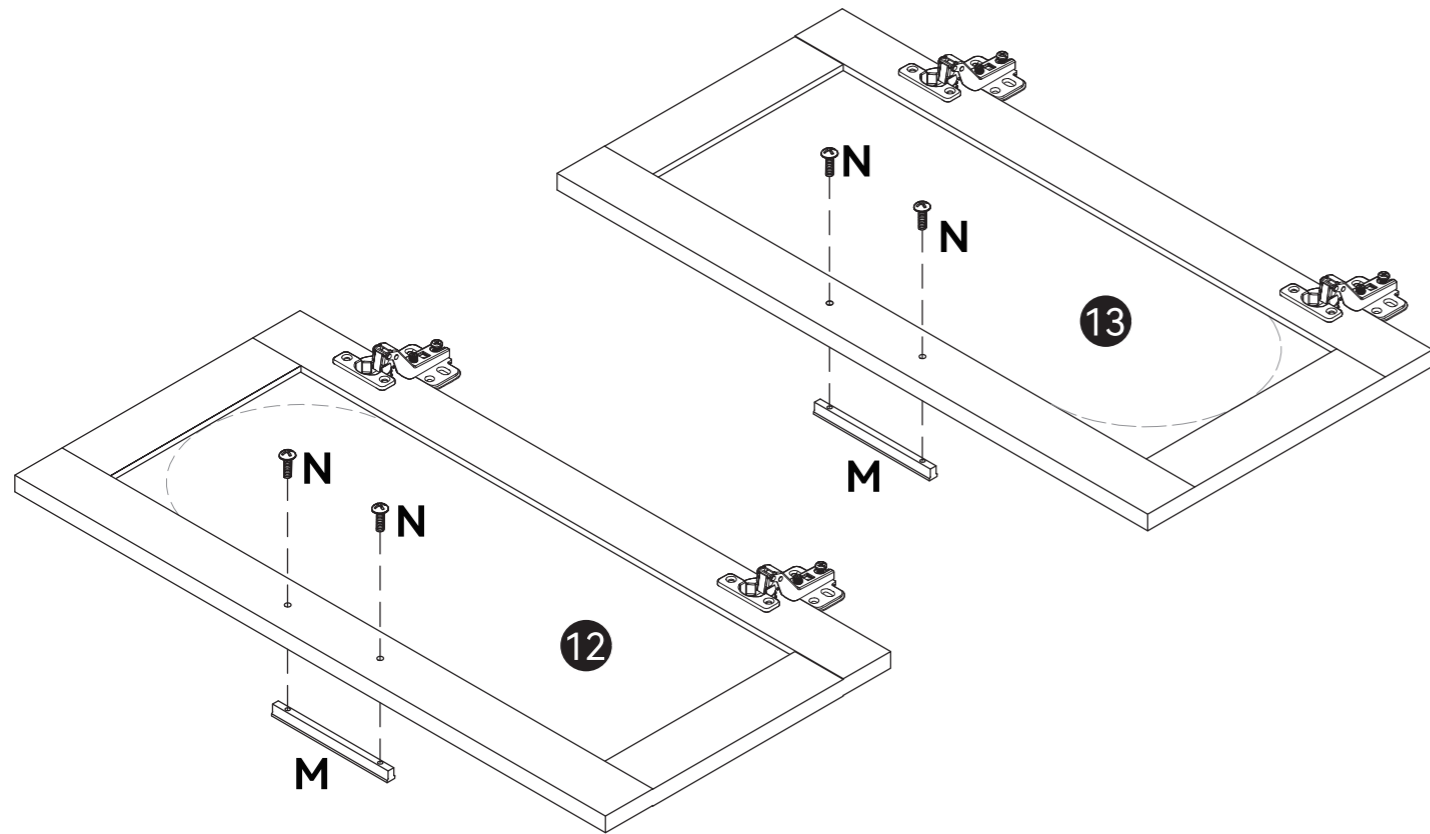
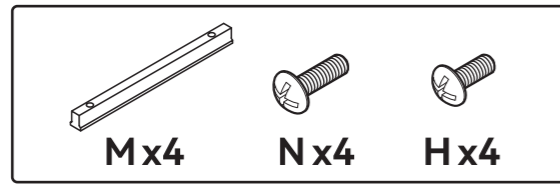
# 17



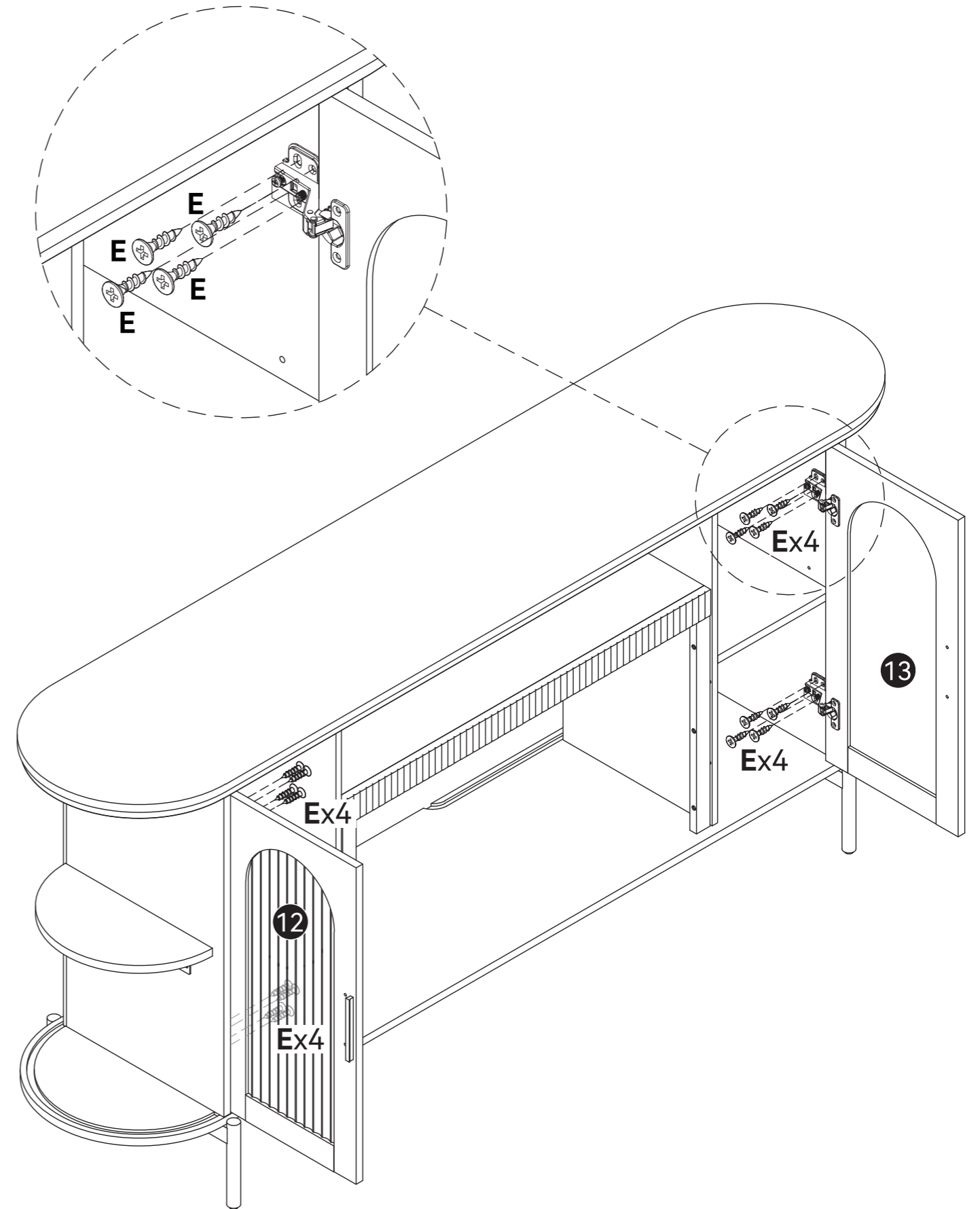
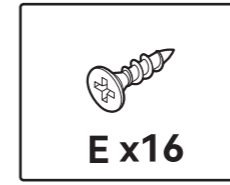
# 18



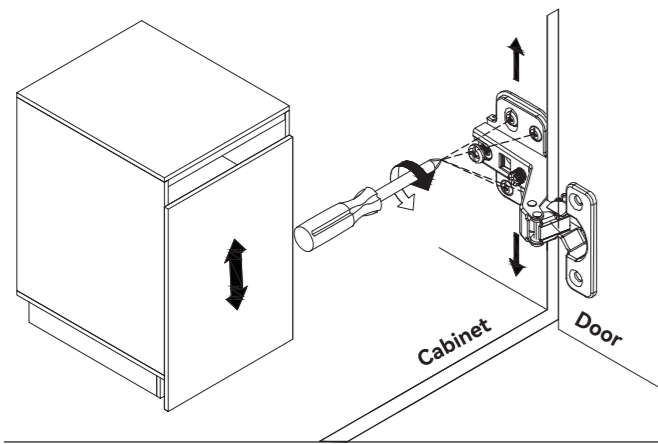
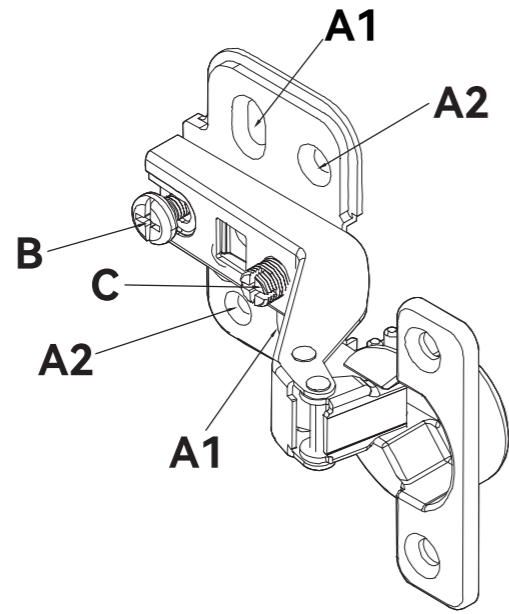
# 19



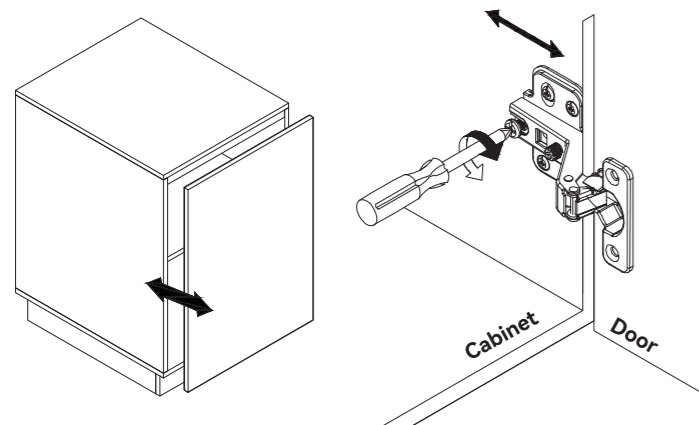
# 20



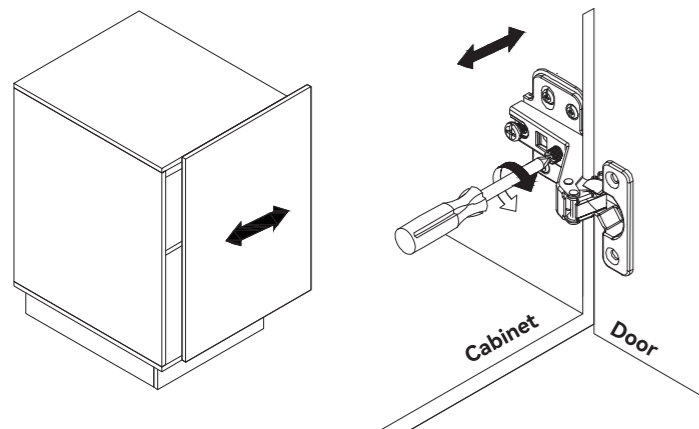
# 21



**Up and down adjustment:**  
Loosen the four screws A1 and A2 on both hinges. Two in the slotted holes allows you to raise or lower the top cover. Tighten the screws to secure in place.

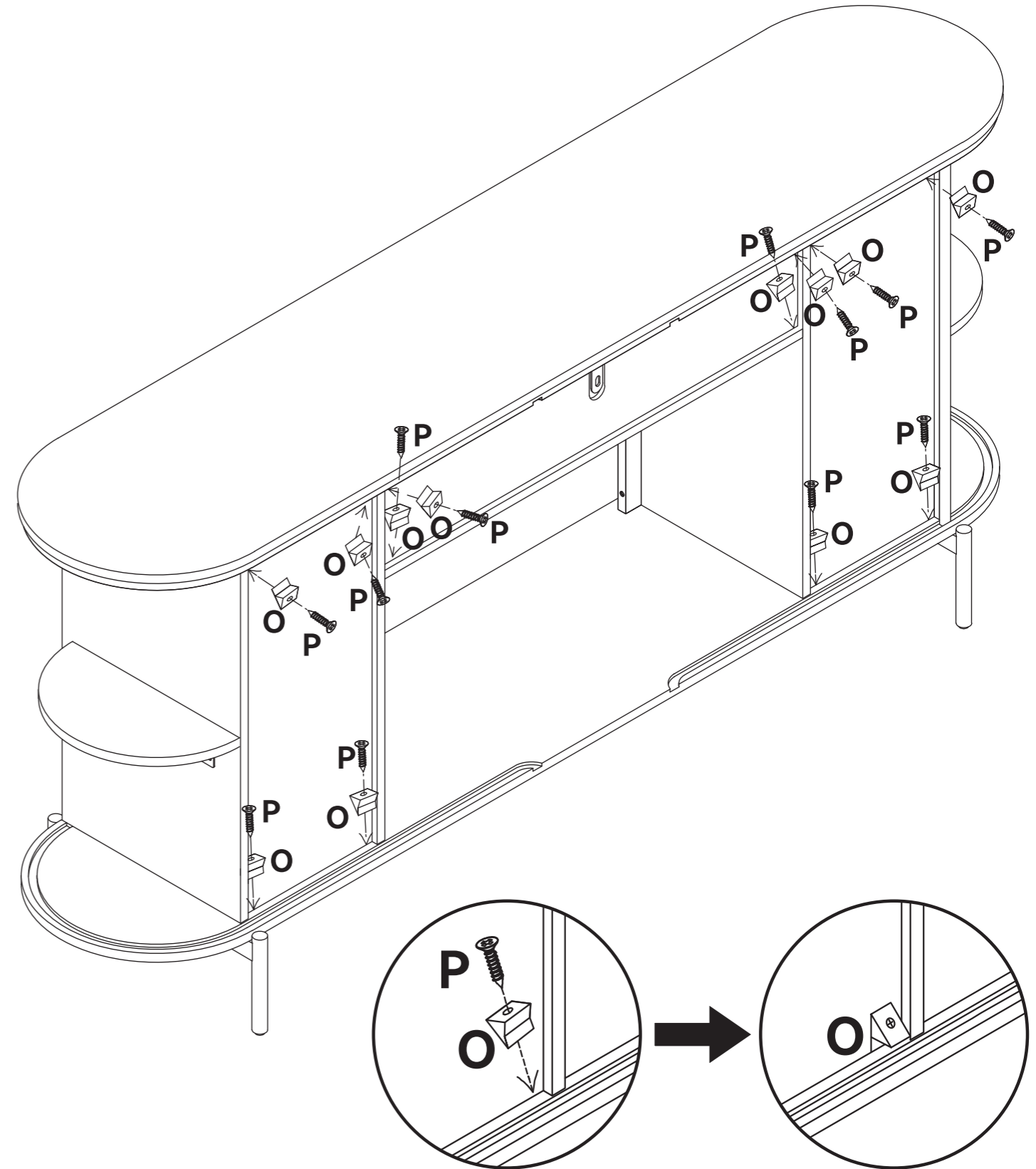
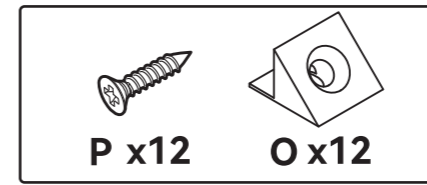


**In and out adjustment:**  
Loosen the screw B on the hinge to adjust the top cover. If the cover cannot be adjusted, loosen the screw C and try again. Tighten the screws to secure in place.

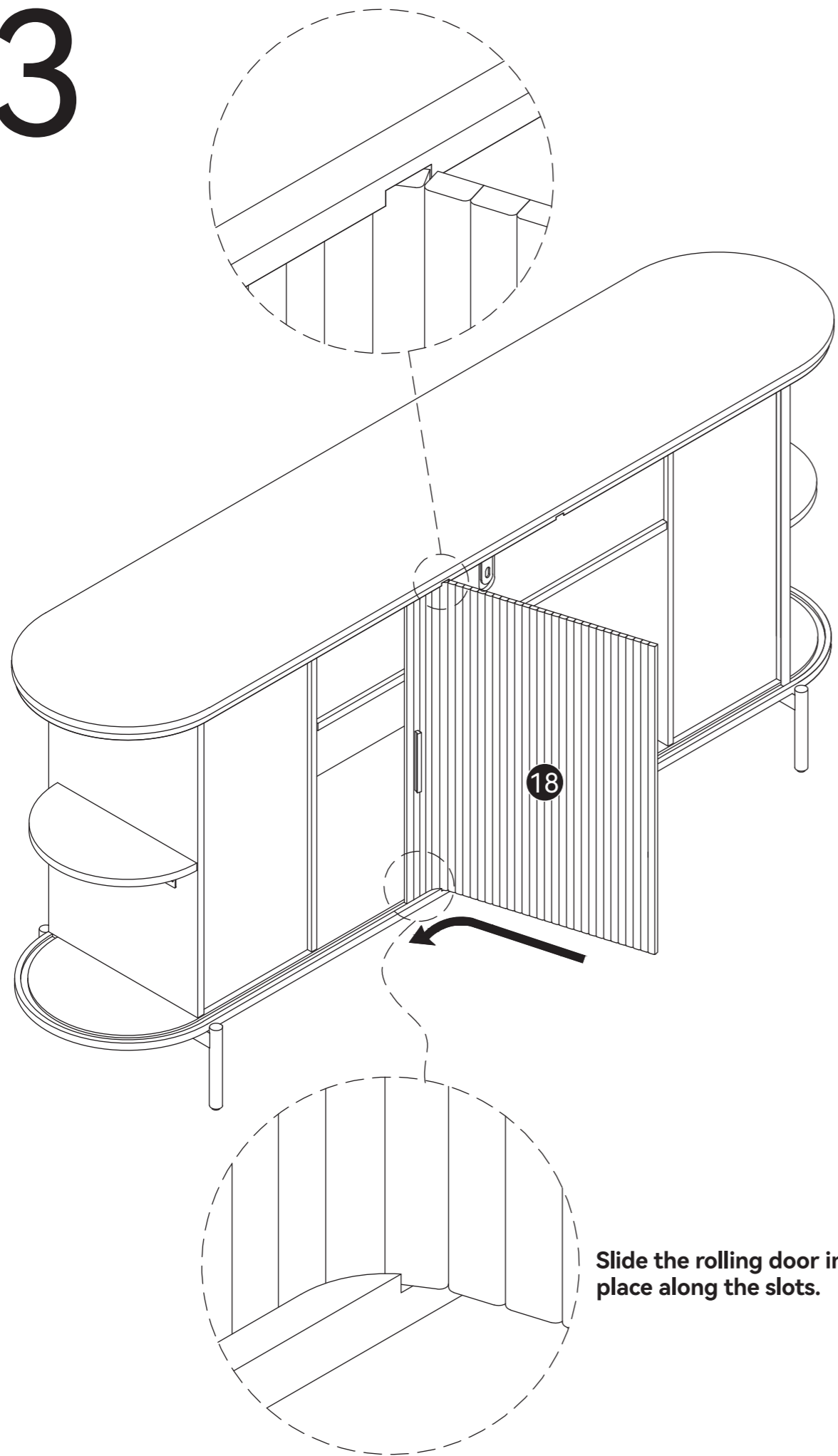


**Side-to-side adjustment:**  
Loosen the front screw C on the hinge to align the door horizontally.

# 22

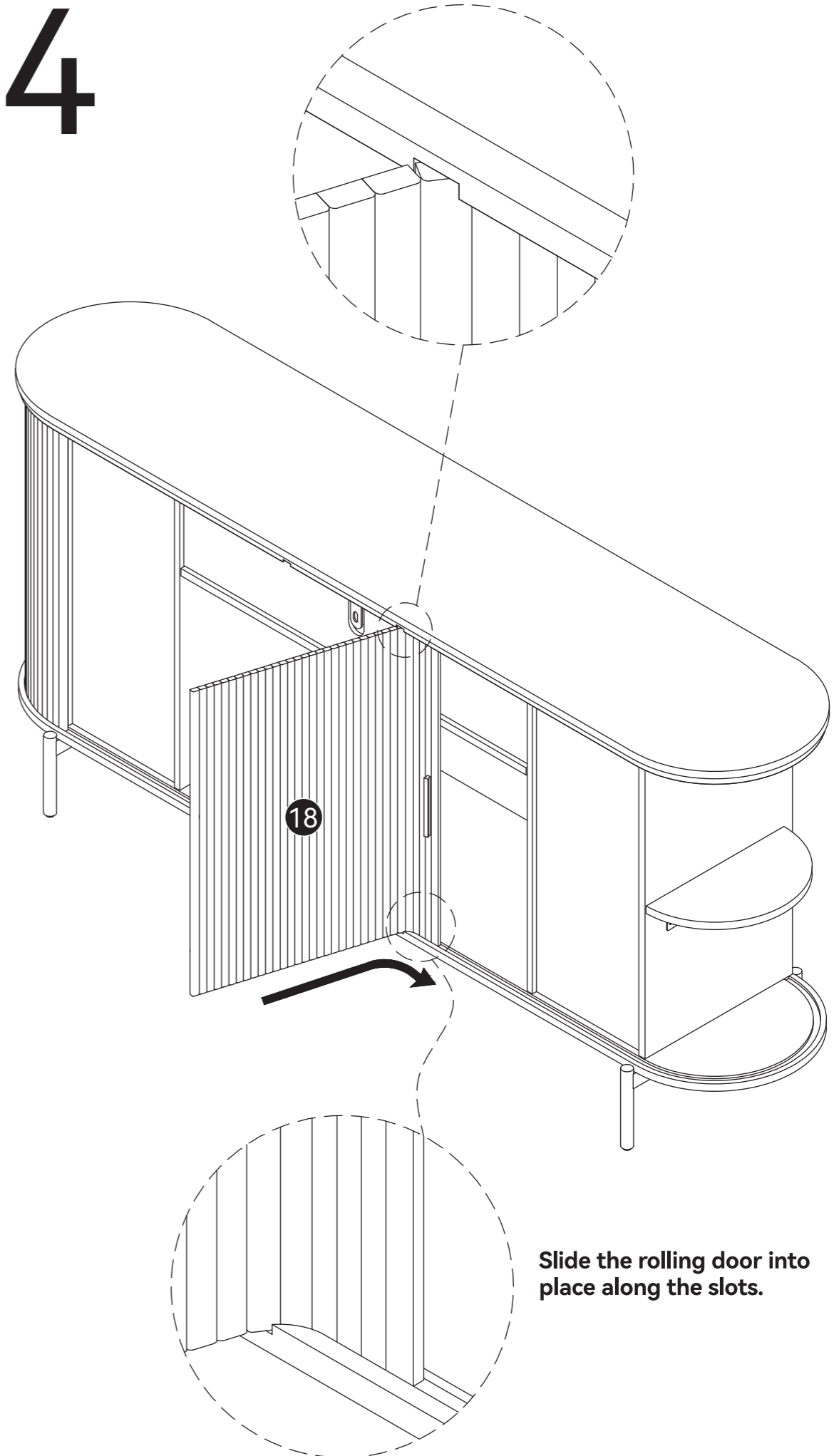


# 23



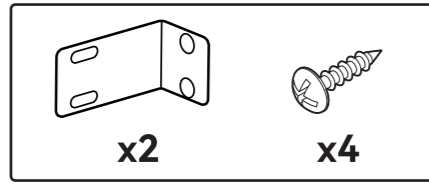
Slide the rolling door into place along the slots.

# 24



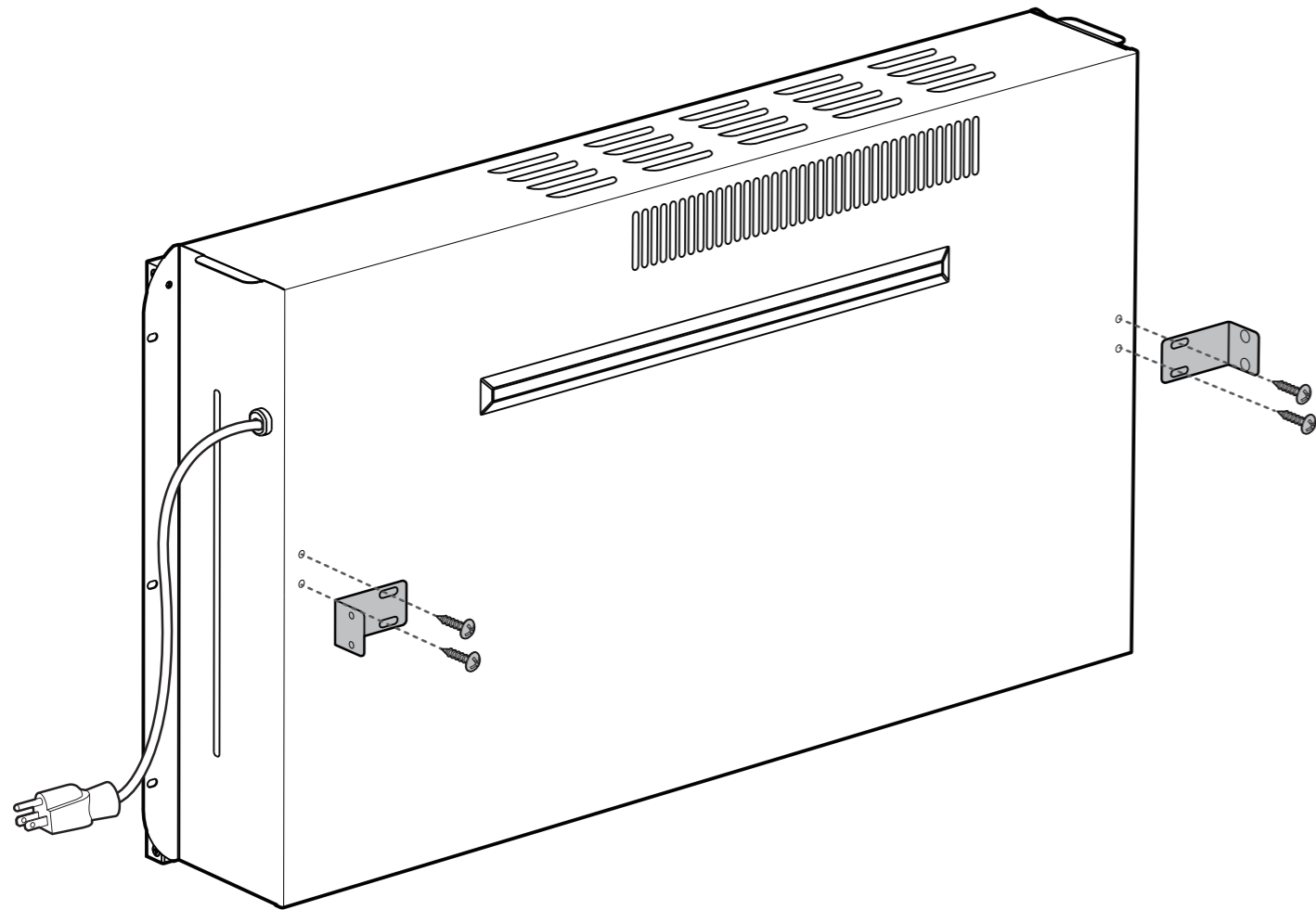
Slide the rolling door into place along the slots.

# 25



## Attaching Metal Bracket

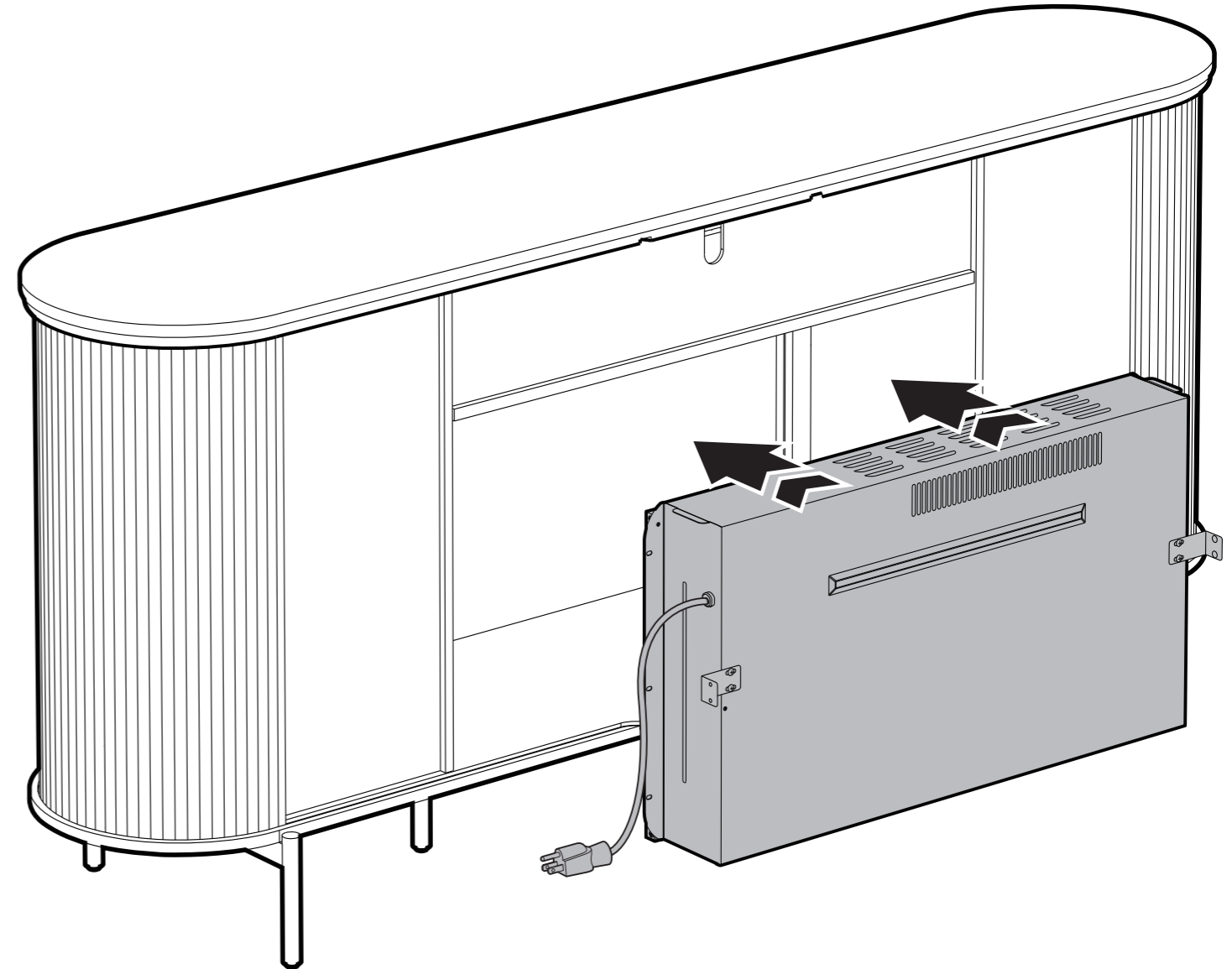
Attach the metal brackets to the fireplace and secure with 4 screws (ST4\*12).



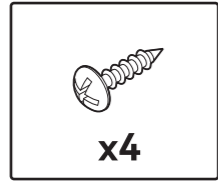
# 26

## Attaching Fireplace

Gently hold and place the fireplace in the TV stand by 2 people.

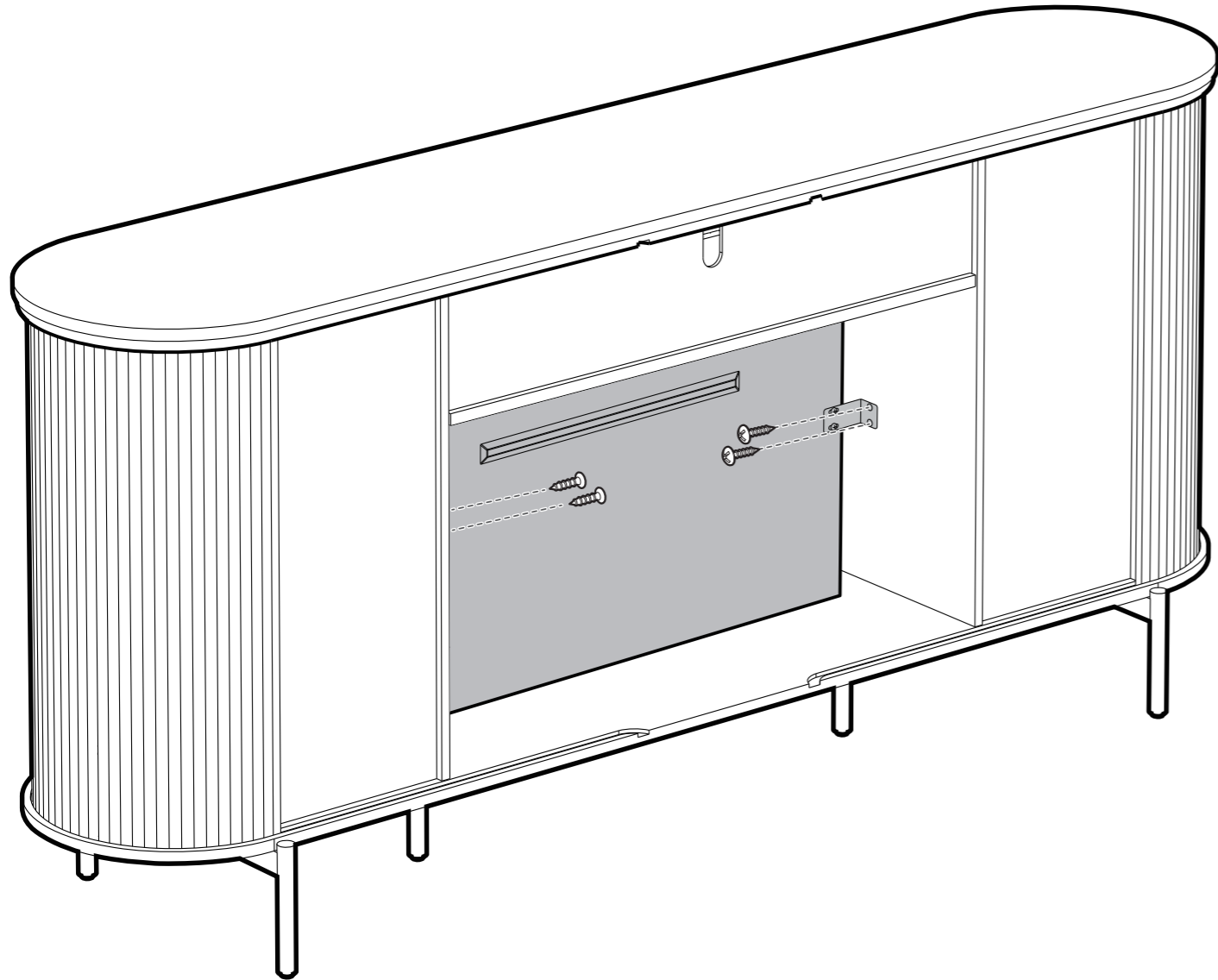


# 27



### Securing Fireplace

Secure the fireplace with 4 screws (ST4\*12).



# 28

