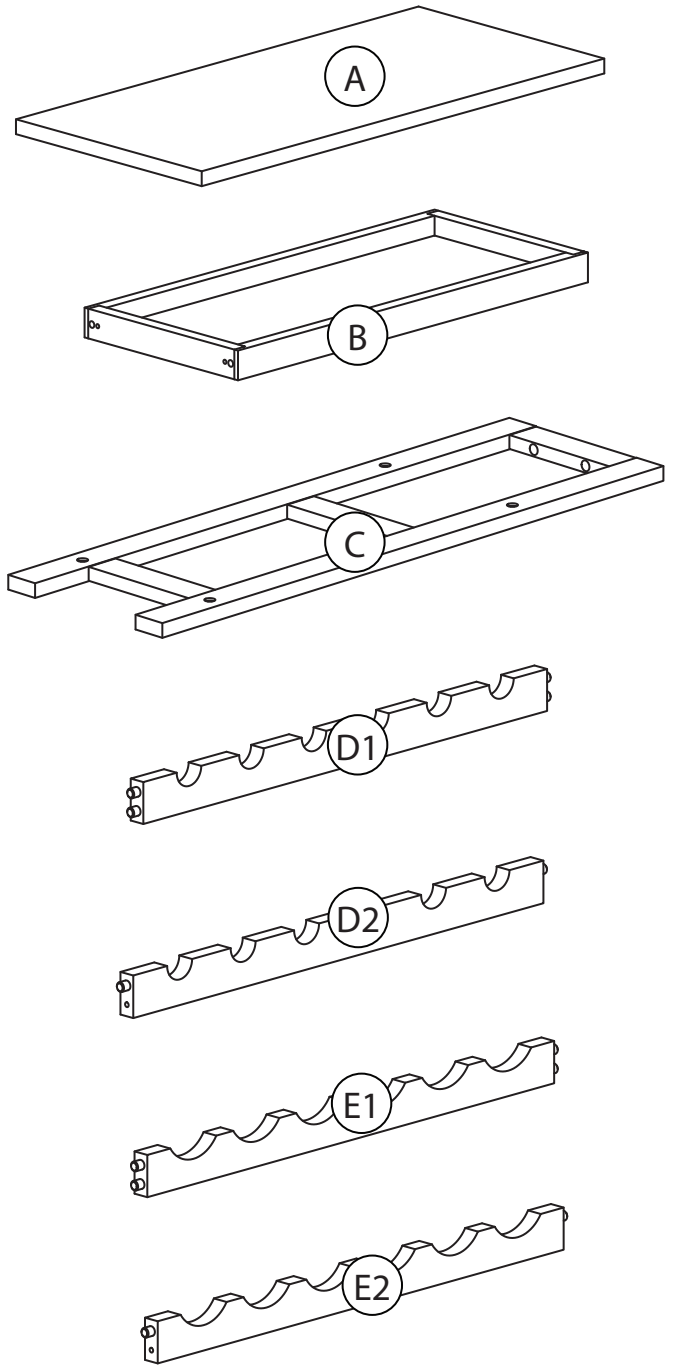
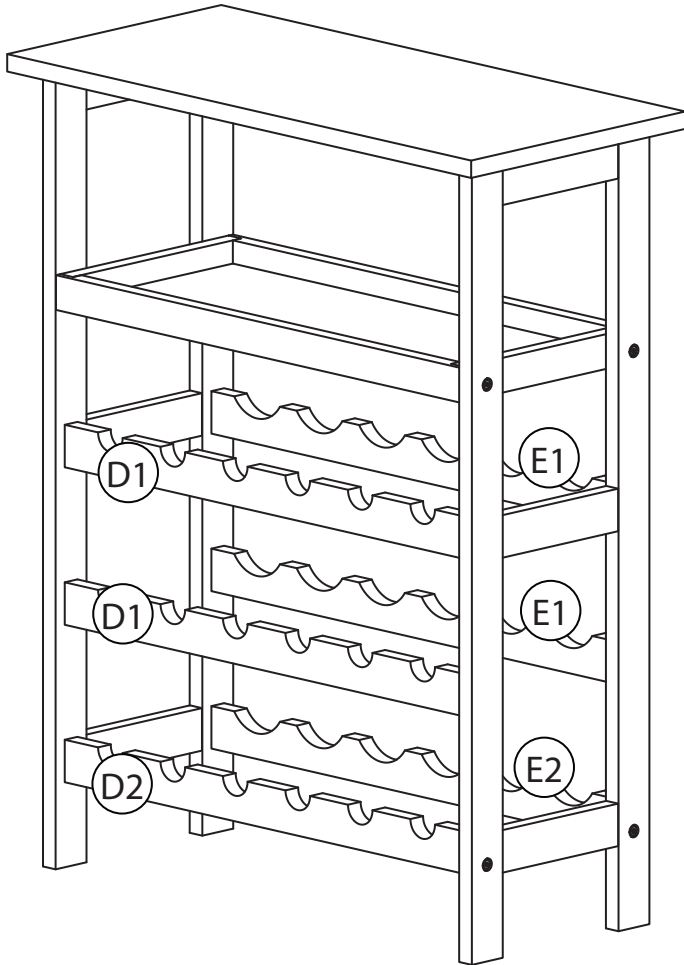


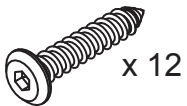
Assembly Instruction

Item# 830-6X

Solid Wood 18-Bottle Freestanding Wine Rack Storage with Table Top



HARDWARE



x 12

RF10003

Screw JCA 1/4" x 32



x 1

RF40015

Allen Key

Part	Description	Q'ty
A	Table Top	1
B	Tray	1
C	Side Panels	2
D1	Front Rack #2-3	2
D2	Front Rack #1	1
E1	Back Rack #2-3	2
E2	Back Rack #1	1

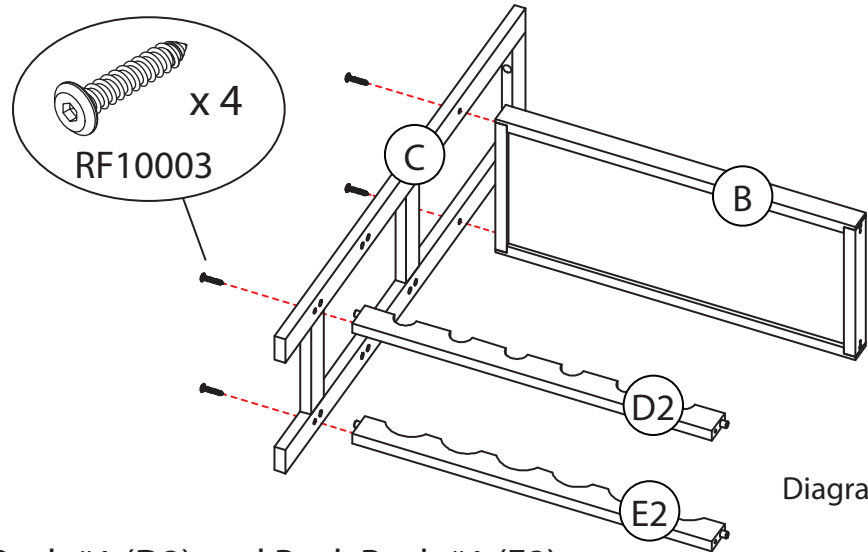


Diagram 1.

Step 1:

Attach the Tray (B), Front Rack #1 (D2) and Back Rack #1 (E2) into a Side Panel (C) by using 4 Screws (RF10003) as per diagram 1.

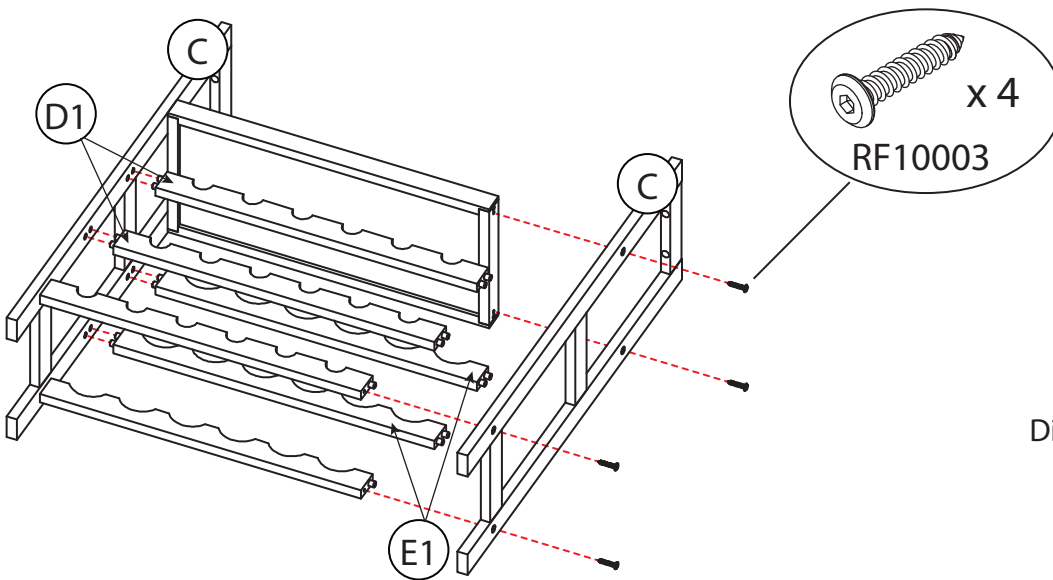


Diagram 2.

Step 2:

Insert both Front Racks #2-3 (D1) and both Back Racks #2-3 (E1) into the holes of Side Panel (C). Then attach another Side Panel (C) into the unit by using 4 Screws (RF10003) as per diagram 2.

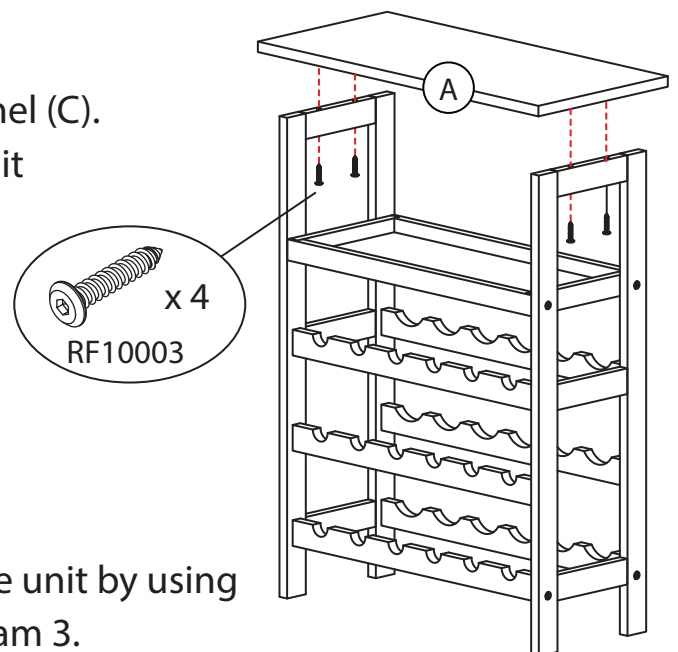


Diagram 3.

Step 3:

Attach the Table Top (A) onto the unit by using 4 Screws (RF10003) as per diagram 3.