

READ & SAVE BELOW INSTRUCTIONS

HOW TO USE THE SOLAR LAMP

There is an 'ON/OFF' button. Place the solar lamp in a sunny location in the "ON" position . When it turns dark, the solar lamp will automatically illuminate. In day, the solar lamp will automatically turned off and store the energy.

WINTER TIPS

Wipe snow or frost off the solar panel to enable the batteries to recharge. Check and switch the batteries regularly throughout the year, especially after the winter months. It is recommended that solar lights are not used in freezing conditions. Monitor weather and take solar items indoor for storage as needed.

IMPORTANT:

Before beginning assembly

- **Do not** throw away any packaging material until all parts are verified as present. Please check for ground stakes and poles on all sides.
- To allow each battery to reach full capacity, pull out the plastic tab and place in full sunlight for the first 8 hours. Failure to do so can shorten the life of the battery or operation of the light.
- **Do not** install this product over any planting beds with dried materials (mulch, etc).
- The solar cells receive less sunlight in the winter months. Therefore the number of hours the lamp will work is reduced in winter.

BATTERY WARNINGS:

- Always purchase the correct size and grade of battery most suitable for the intended use.
- Do not open, short circuit or mutilate batteries as injury may occur. Batteries must be recycled or disposed of properly. For more information, contact your local waste authority.
- Battery performance is affected by weather and temperature. Please expect REDUCED performance in adverse conditions of cold, humidity and dampness.
- Replace all batteries of a set at the same time.
- Clean the battery contacts prior to battery installation.
- Ensure the batteries are installed correctly with regard to polarity (+ and -).
- Remove batteries from equipment that will not be used for an extended period of time. Remove used batteries promptly.

BATTERY SUGGESTIONS:

Rechargeable batteries need to be charged for approximately 8 hours before using to perform correctly. Our batteries come pre-charged but some discharge may happen during storage or transit. Less than full sunlight during the day charges the batteries less. On cloudy days or rainy days it may take several days for the batteries to fully charge.

ATTENTION:

DO NOT BURN THE BATTERIES.

DO NOT USE NON-RECHARGEABLE BATTERY FOR THIS PRODUCT.

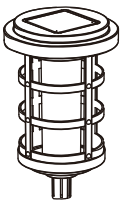




CARE AND MAINTENANCE

It is important to keep the solar cell panel clean. A dirty solar cell will prevent the battery from fully charging. This will reduce the battery's lifetime and prevent the lamp from working optimally. Clean regularly with a damp cloth.

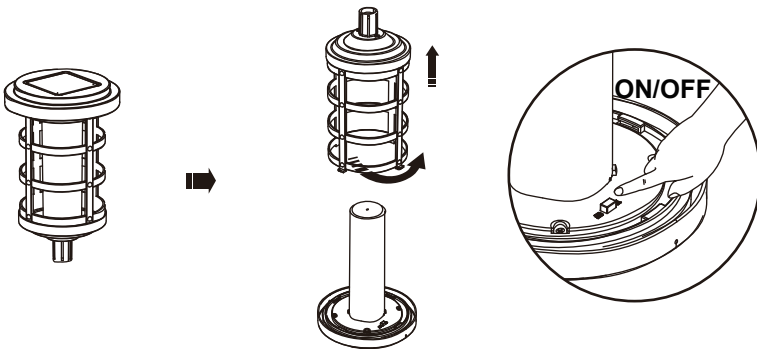
The solar lamp can remain outdoors all year round. If you wish to store the lamp indoors for more than two or three days, please follow the guidance below to avoid damage to the rechargeable battery:

- Keep the lamp dry at room temperature
- Store the lamp where it can receive sunlight or artificial light every day. The batteries require light during storage to maintain their charge capacity.
- For longer periods of storage, the batteries must be discharged and recharged once a month. Alternatively, remove the batteries from the lamp and insert new ones when the lamp is used again.
- Do not store the lamp in boxes or dark rooms, as this will make the batteries lose their charge capacity.
- For optimal use of the lamp, avoid long periods of storage.

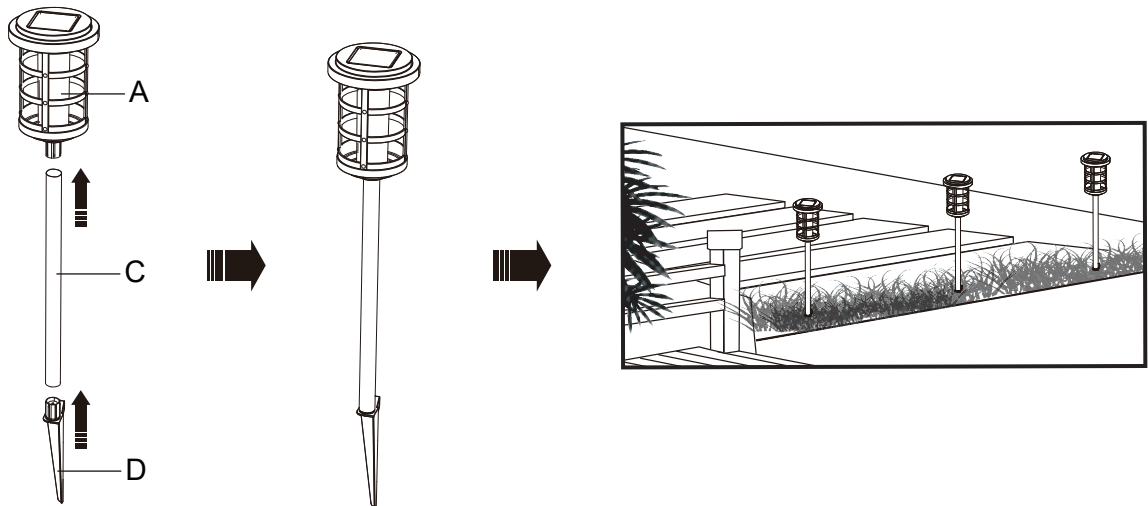
PACKAGE CONTENTS

A	B	C	D	
				
x4	x4	x4	x4	14500 3.7V 500MAH

ASSEMBLY INSTRUCTIONS

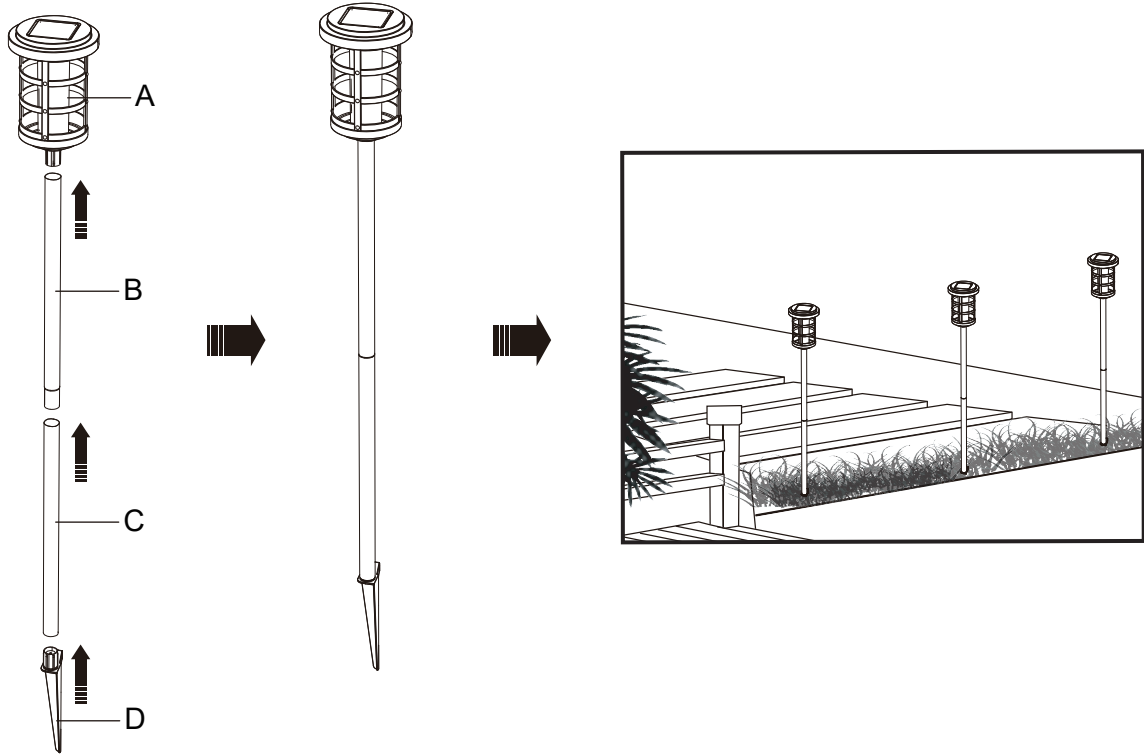


1

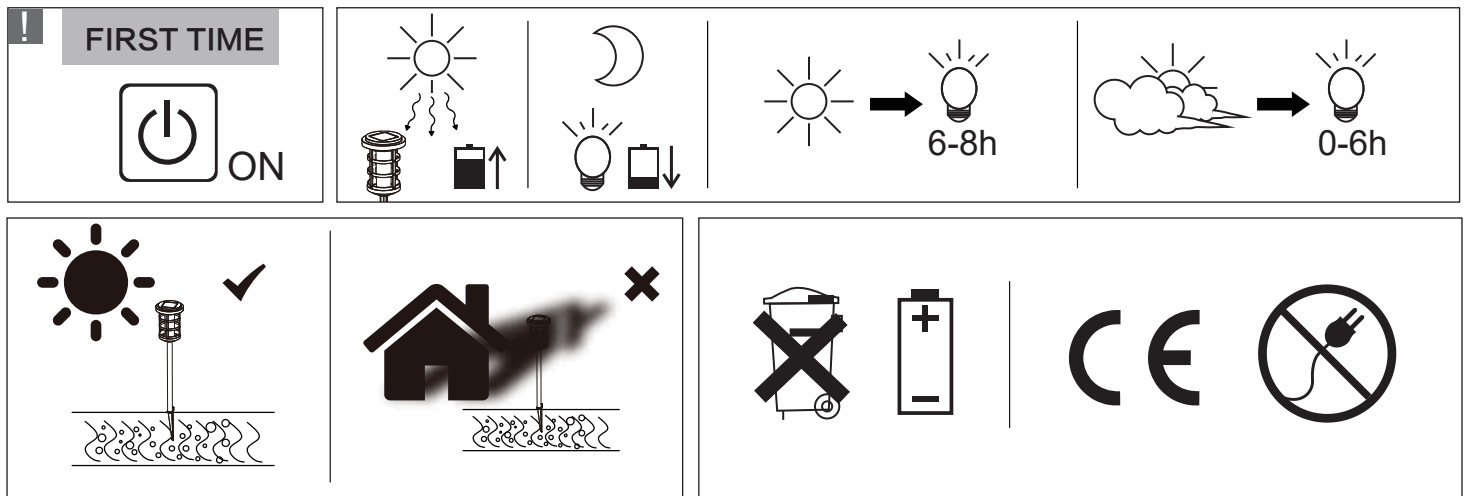


ASSEMBLY INSTRUCTIONS

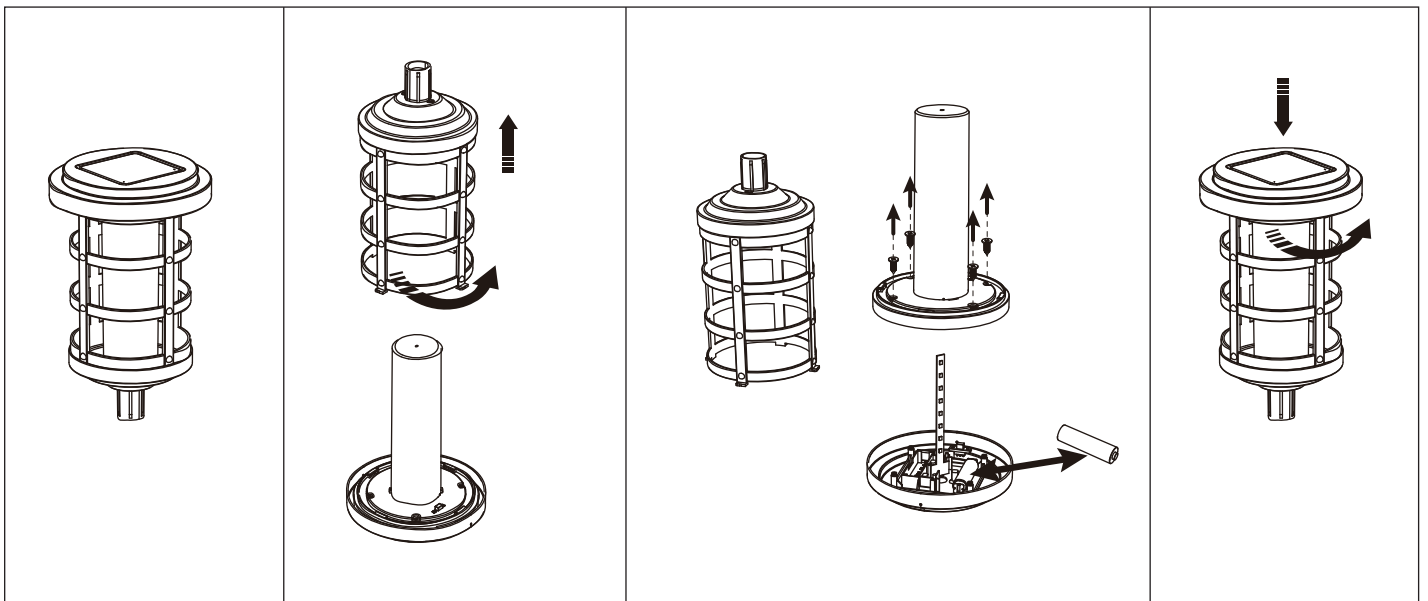
2



GENERAL USE INSTRUCTION



BATTERY REPLACEMENT INSTRUCTION



TROUBLESHOOTING

PROBLEM	CAUSE	SOLUTION
The lamp doesn't light at night.	The photocell reacts to other light sources. If other lights, such as street lights, lights from houses or other lamps, are too close to the solar lamp, this might prevent the lamp from switching on automatically at night.	Remove the light source at fault or move the solar lamp. After correcting it, check the lamp after dark or in a dark room. If the lamp only lights for a short while, the battery needs recharging.
	A dirty solar cell will prevent the batteries from charging fully. This will reduce the batteries' lifetime and prevent the lamp from working optimally.	Clean the lamp regularly with a damp cloth. After correcting it, check the lamp after dark or in a dark room. If the lamp only lights for a short while, the battery needs recharging.
	The battery is not fully charged. If the weather has been overcast during the day, the battery may not be optimally charged for night-time use. Cloudy or rainy days generate far less charge on the solar panel and thus fewer hours of operation. Prolonged cloudy or rainy days can affect performance dramatically.	Ensure that the lamp is placed where it can receive maximum sunlight every day. The solar cells must have direct sunlight every day to charge the batteries fully. If the solar cell does not receive enough sunlight on a particular day, the battery will recharge on the next sunny day and function normally again.
	Batteries may need to be changed depending on amount of use, temperature, weather conditions and heat.	Replace batteries with the exact same type of rechargeable batteries.
	The batteries are not seated well between metal clips with regard to polarity (+ and -). In some cases, some dislodging may occur during the shipment.	Open the battery compartment and clean the battery contacts to ensure that there is nothing blocking the battery terminals from making contact, then "seat" the batteries correctly with regard to polarity (+ and -).