

# HEADBOARD

## ASSEMBLY INSTRUCTIONS

Before assembling your headboard, please read through these instructions carefully and familiarize yourself with the different parts.

**ATTENTION!** If you receive a damaged or defective item.



### PARTS LIST

- ① HEADBOARD PANEL 1 PC
- ② LEFT LEG 1 PC
- ③ RIGHT LEG 1 PC
- ④ SPACER BLOCK 2 PCS
- ⑤ PACKING STICK 2 PCS

Instructions apply for bed sizes  
TWIN > FULL

### HARDWARE

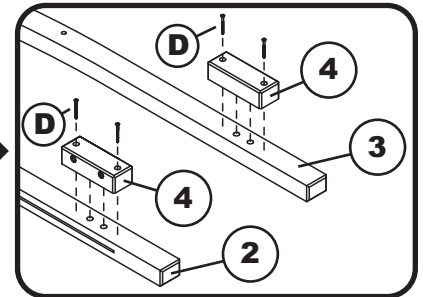
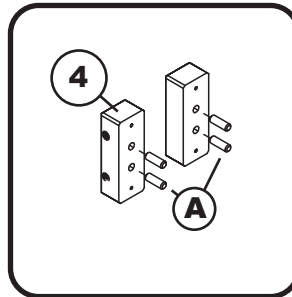
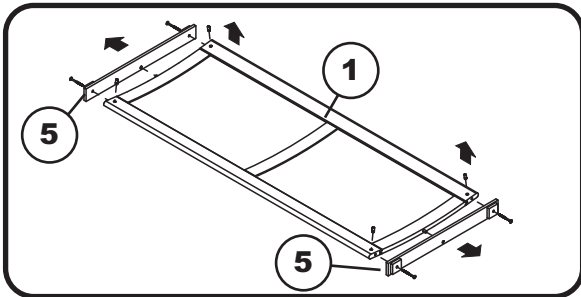
- |  |  |                                      |                                       |  |                                       |  |
|--|--|--------------------------------------|---------------------------------------|--|---------------------------------------|--|
| ① Wooden dowel - 4 pcs<br>Spare - 1 pc | ② JCB M6 X 70mm (2 3/4") - 4 pcs<br>Spare - 1 pc | ③ Barrel nut - 4 pcs<br>Spare - 1 pc | ④ Wood screw - 4 pcs<br>Spare - 1 pc  | ⑤ JCB M6 X 25mm (1") - 4 pcs<br>Spare - 1 pc | ⑥ Flat washer - 4 pcs<br>Spare - 1 pc | ⑦ Split washer - 4 pcs<br>Spare - 1 pc |
|  |  |                                      | ⑧ Allen wrench - 1 pc<br>Spare - 1 pc |  |                                       |  |

#### HARDWARE FOR METAL BED FRAME

NOTE: WE INCLUDE SPARE HARDWARE IN CASE DAMAGE OCCURS DURING ASSEMBLY.

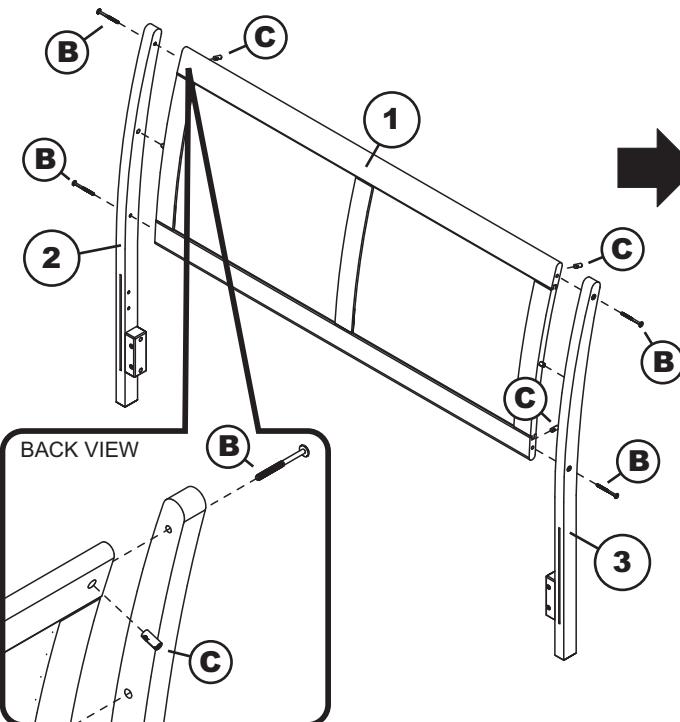
### Step 1

Remove packing stick (5) from headboard panel (1) and **DISCARD**. Insert wooden dowels (A) to the locator holes on spacer block (4). Attach the spacer blocks (4) to the legs (2) and (3), using wood screws (D), as shown below. Tighten with Phillips screwdriver. (customer supplied)



### Step 2

Attach the legs (2) and (3) to the headboard panel (1), using JCB (B) and barrel nut (C). Tighten with the Allen wrench (H).



CODE	ITEM	ITEM
HB-POR	R-28982X	R-28983X

PO :

If you purchased a wood headboard to attach to metal bed frame, please refer to page 2.

# BED FRAME

affurnishings.com

## ASSEMBLY INSTRUCTIONS

Before assembling your bed frame, please read through these instructions carefully and familiarize yourself with the different parts.

**ATTENTION!** If you receive a damaged or defective item,



Instructions apply for all bed sizes  
Twin > Twin XL > Full > Queen > King

### PARTS LIST

### HARDWARE

- 1 END RAIL 1 PC**
- 2 TALL LEG 2 PCS**
- 3 SHORT LEG 2 PCS**
- 4 SIDE RAIL 2 PCS**

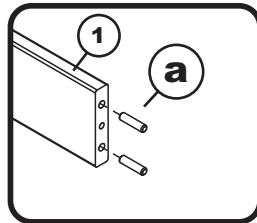
- (a)** Wooden dowels - 4 pcs  
Spare - 1 pc
- (b)** JCB M6 X 100mm (4") - 2 pcs  
Spare - 1 pc
- (c)** Barrel nut - 2 pcs  
Spare - 1 pc

- (d)** Wood button - 2 pcs  
Spare - 1 pc
- (e)** Allen wrench - 1pc  
Spare - 1pc

NOTE: WE INCLUDE SPARE HARDWARE IN CASE DAMAGE OCCURS DURING ASSEMBLY.

### Step 1

Insert wooden dowels (a) into the locator holes on (1) both ends of end rail.

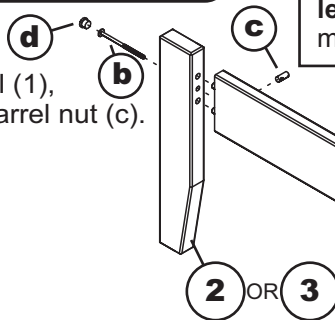


Choose the **tall legs** when using storage drawers, Trundle bed or mattress only, choose the **short legs** if using both foundation and mattress.



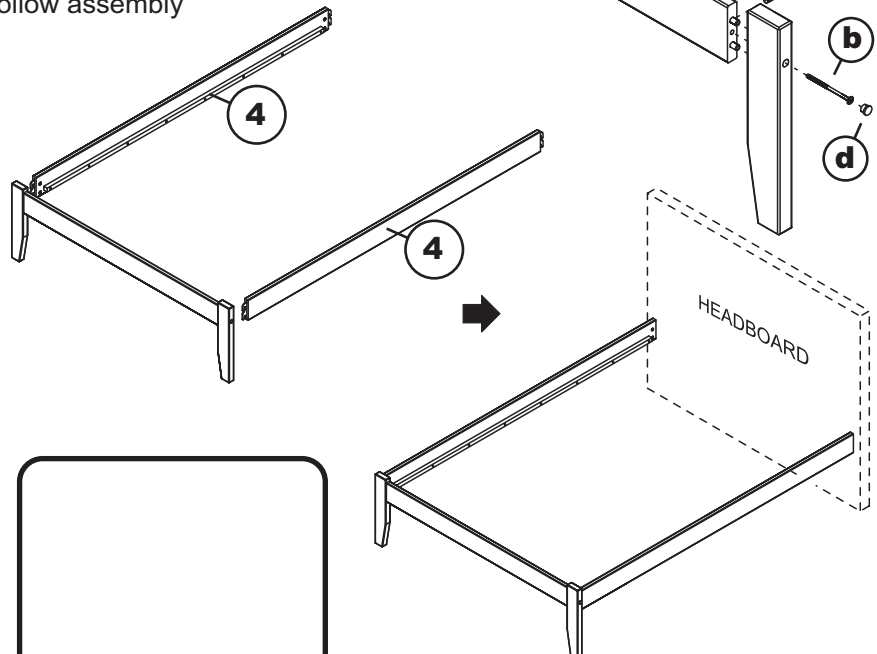
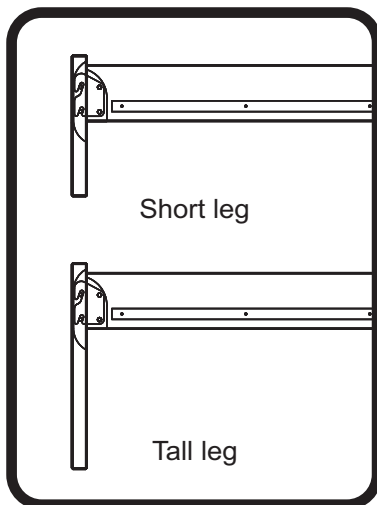
### Step 2

Attach the legs (2) or (3) to end rail (1), using JCB M6 X 100mm (b) and barrel nut (c). Tighten with the Allen wrench (e). Cover holes with wood button (d).



### Step 3

Attach side rails (4) to the end rail using bed hook as shown. For headboard assembly, follow assembly instructions included with headboard.



**PO:**

# FOUNDATION SUPPORT BOARDS

## ASSEMBLY INSTRUCTIONS ( TWIN )

Before assembling your Support boards, please read through these instructions carefully and familiarize yourself with the different parts.

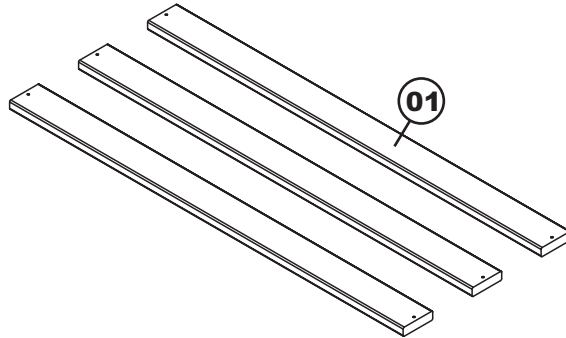
Please note that you will require a Phillips screwdriver.

**ATTENTION!** If you receive a damaged or defective item,



### PARTS LIST

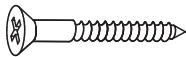
**01 SUPPORT BOARDS 3 PCS**



**PO :**

NOTE: WE INCLUDE SPARE HARDWARE IN CASE DAMAGE OCCURS DURING ASSEMBLY.

**A**



1 1/4" Wood screw - 6 pcs  
Spare - 1 pc

**HARDWARE**

### Step 1

Assemble bed frame according to assembly instructions.

### Step 2

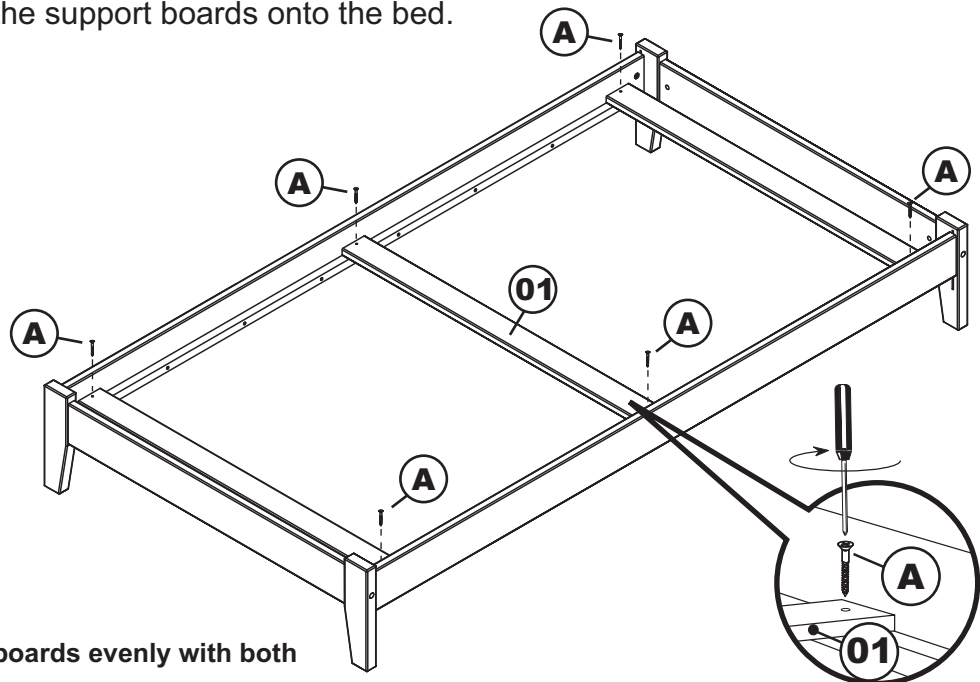
Lay the support boards onto the bed.



Adult assembly



Wood screw



### Step 3

**Be sure to align support boards evenly with both ends of side rails.**

Screw support boards (01) to side rails, using wood screw (A).

Tighten with Phillips screw driver. (Customer supplied)

Be sure the space between support boards is even.