

PLEASE KEEP ME WITH YOUR PROOF OF PURCHASE FOR FUTURE REFERENCE






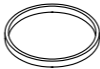


ATTENTION:

1. Please read these instructions carefully before assembly
2. Aluminium is soft metal and over tightening may strip thread or break the part
3. DO NOT use power tools
4. Please allow 30 minutes for assembly.
5. Although assembly only requires 1 person it is advised that a second person be present to help turn the table over and into position when fully assembled.

ASSEMBLY STEPS:

1. Remove glass and set aside on a clean surface
2. Turn the table top (A) upside down onto a soft clean surface
3. LOOSELY attach all 4 legs (B) to the table top(A) with bolts (E) and big flat washers (F)using Spanner (H) DO NOT TIGHTEN THE BOLTS AT THIS STAGE
4. LOOSELY attach the ring (C) to legs(B) with bolts (E) and big flat washers (F) using Spanner (H) DO NOT TIGHTEN THE BOLTS AT THIS STAGE
5. Using spanner (H) carefully tighten all bolts, do not over tighten as this will cause the thread to become damaged
6. Place Nut caps (G) on all bolts (E)
7. Turnover and place table where required
8. Place glass (D) on table top and gently press down on suckers to ensure glass is secure

For more information regarding maintenance of your furniture and to register your warranty, please visit www.hartmanuk.com

Component's Ref.69020112					Fixings				
Parts List	Parts Picture	Description	QTY	Part no	Parts list	Parts Picture	Description	QTY	Part no.
A		Table top	1	69020112A	E		M6*25 bolts	12	2002173
					F		Big Flat washers	12	1061162
B		Leg	4	69020112B	G		Flat Nut Cap	12	2002170
C		Ring	1	69020112C	H		Allen Key	1	2002191
D		Glass	1	69020112D					

For replacement or lost spare parts please go to <http://faq.hartmanuk.co.uk/spares/>

Should you have any queries about your furniture your first point of contact should be the retailer from whom you purchased your product

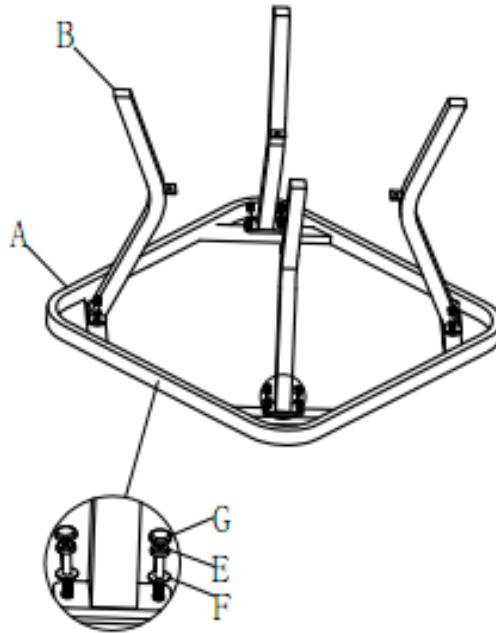
PLEASE KEEP ME WITH YOUR PROOF OF PURCHASE FOR FUTURE REFERENCE

ASSEMBLY INSTRUCTIONS

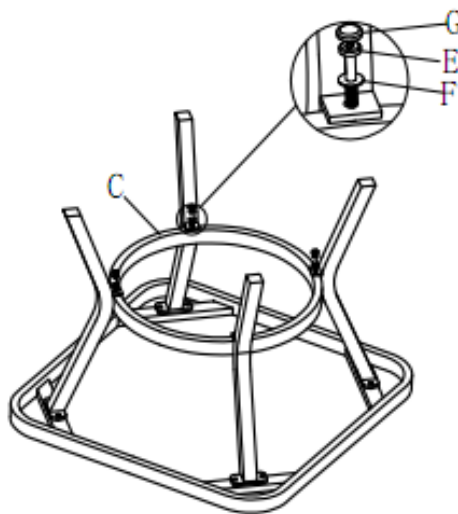
Dubai Rope Square Casual Dining Table

REF.69020112

1



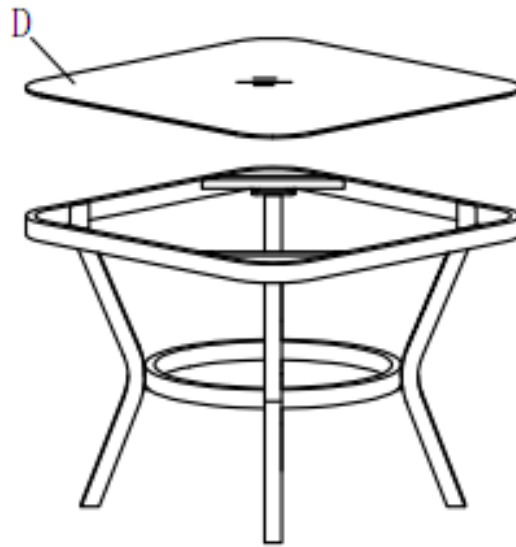
2



For replacement or lost spare parts please go to <http://faq.hartmanuk.co.uk/spares/>
Should you have any queries about your furniture your first point of contact should be the retailer from whom you purchased your product

PLEASE KEEP ME WITH YOUR PROOF OF PURCHASE FOR FUTURE REFERENCE

3



For replacement or lost spare parts please go to <http://faq.hartmanuk.co.uk/spares/>
Should you have any queries about your furniture your first point of contact should be the retailer from whom you purchased your product