

the INFINITY DOOR & PANEL

Semi-
Frameless
Door & Panel
Shower
Door

INFH35A



SHOWER ENCLOSURES

BECAUSE THE SHOWER IS EVERYTHING

www.BascoShowerDoor.com | 800.45.BASCO

MAINTENANCE: Two primary materials are used to manufacture your new shower enclosure: tempered glass and anodized aluminum. To assure a long lasting finish on the enclosure, wipe it down with a towel after each use. Never use a scouring agent to clean the aluminum.

For occasional, more concentrated cleaning efforts, we find that *Lysol Bathroom Cleaner* works extremely well. Be sure that any over spray falling on the aluminum frame is rinsed thoroughly and dried. Many over-the-counter cleaners, if applied to the aluminum and left on, will harm the metal finish and cause permanent damage, even though their directions indicate safe use on shower doors.

INSTALLATION NOTES: Unpack your unit carefully and inspect for freight damage. Lay out and identify all parts using the instruction sheets as a reference. Before discarding the carton, check to see that no small hardware parts have fallen to the bottom of the box. If any parts are damaged or missing, refer to the descriptions noted in the instructions when contacting your dealer for replacements.

Handle the glass panels carefully and protect the edges.

Please wear safety glasses whenever drilling or cutting. When drilling holes in the ceramic tile or marble, use a center punch and hammer to carefully break the surface glaze so the drill can start without skidding.

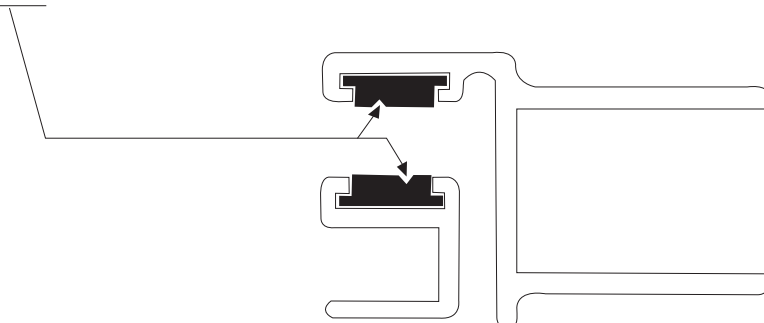
To install your new shower door you will need the following: tape measure, level, #2 Phillips screwdriver, drill, 3/16" wrench, 1/8" and 3/16" drill bits, hacksaw, pencil, and caulking (clear silicone recommended). Optional tools include a miter box for cutting parts to length, files, center punch, and masking tape.

NOTE: Tempered glass cannot be cut.
Although safety tempered glass is very resistant to breakage, the glass can still break if unequal pressure is placed on it during installation. Use caution. In addition, the sharp corners of the panels can damage tile and floor surfaces, so it is best to handle the glass panels carefully and protect the edges.

IDENTIFICATION GROOVE

NOTE : Each magnetic strip has an indentification groove on the exposed surface. For proper alignment, the grooves should be opposite each other (see detail).

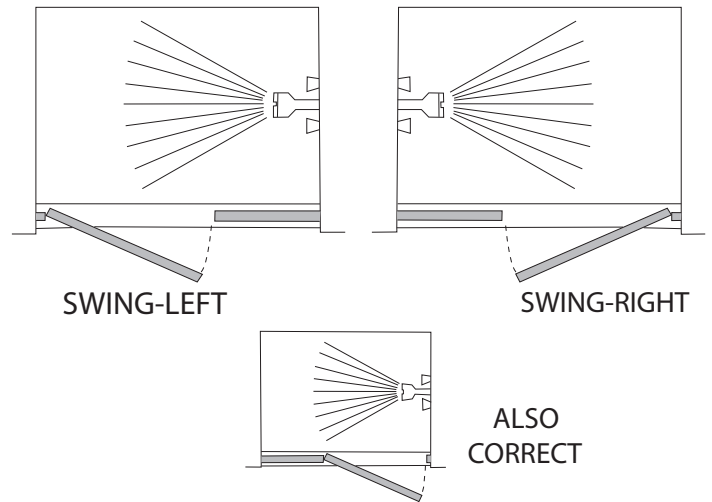
Identification Groove



1

The frameless continuous hinge shower enclosure is completely reversible and may be installed swing-left or swing-right. The door may hinge from the wall or from the center-post. For maximum waterproofing, the hinge jamb should always be opposite the shower head.

Using the illustration, determine the correct position for the door in your particular installation. This instruction sheet depicts a hinge-right installation.



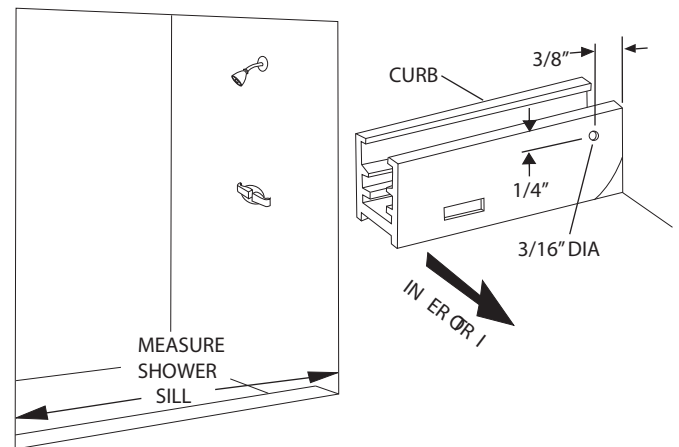
CAUTION: For safety, the door must *always* open outward.

2

Measure the wall-to-wall opening at the shower sill and cut the curb [A] (with weep slots) to fit the full width of the opening. If necessary, use a file to round the lower corners of the curb to fit the shower sill properly.

Using a 3/16" drill bit, drill the interior face of the curb on both ends as shown. These holes may be pre-drilled from the factory.

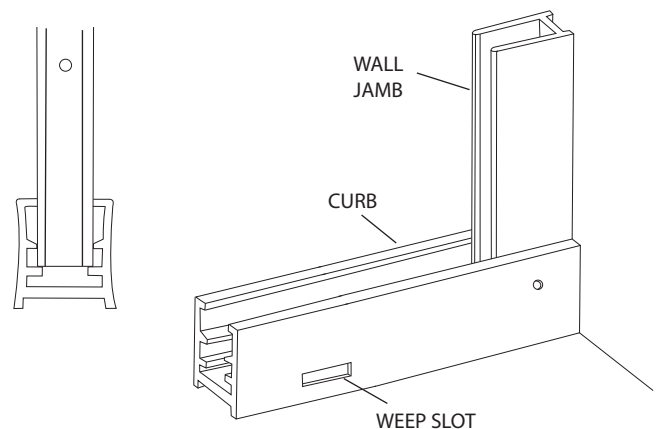
Position the curb in the middle of the sill with the weep slots to the interior and mark its position with a pencil line along the interior and exterior base.



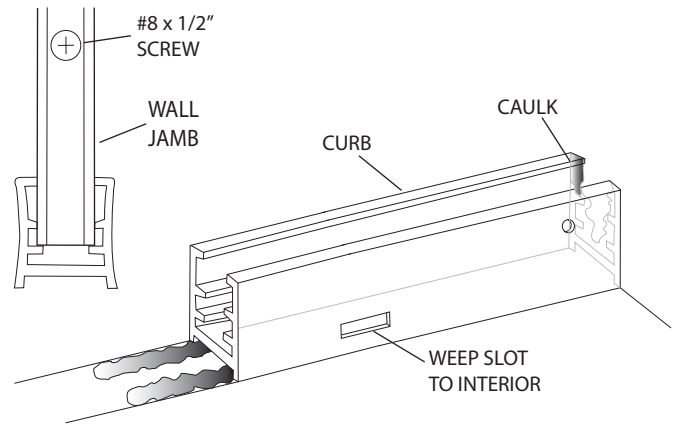
3

Place the two wall jambs [B] into the ends of the curb [A]. Masking tape may be used to hold the curb in place during this operation. Plumb the jambs and mark the hole locations on the wall. Remove all parts and drill the walls for hardware.

For tile or marble walls, drill six 3/16" diameter holes and insert the plastic wall anchors [C]. Attachments to fiberglass or acrylic units can be made in two ways. If reinforcement is built into the wall of the unit, drill six 1/8" holes to install mounting screws directly into the reinforcement. If walls are not reinforced, drill six 3/16" holes and install plastic wall anchors or toggle bolts (toggle bolts not supplied).



4 Wipe the shower walls and sill, the curb [A] and the wall jambs [B] with a clean, dry cloth to remove any dust or debris. Apply a 1/4" bead of caulk along the inside of both of the pencil lines marked in Step #2. Carefully replace the curb in the exact position marked. **Caulk the inside of the curb ends where they meet the wall.** Replace both wall jambs and attach to the walls with six #8 x 1 1/2" truss head screws [D].

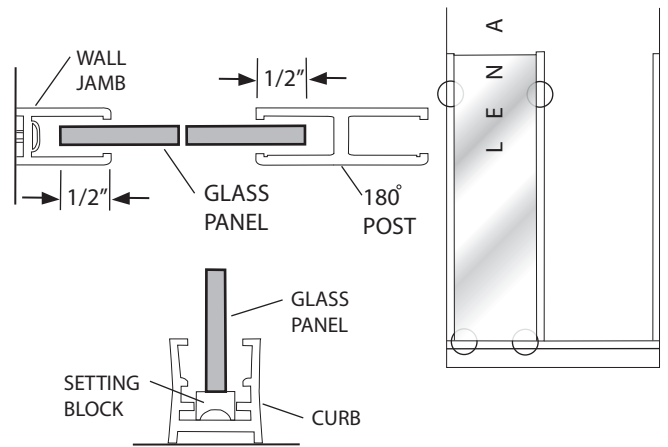


5 Place two setting blocks [E] into the curb [A] to support the fixed glass panel [F]. Position the blocks 3" from each corner of the glass panel. Set the glass panel into place on the setting blocks and approximately 1/2" into the wall jamb [B]. A strip of masking tape 1/2" from each vertical edge of the glass will aid alignment.

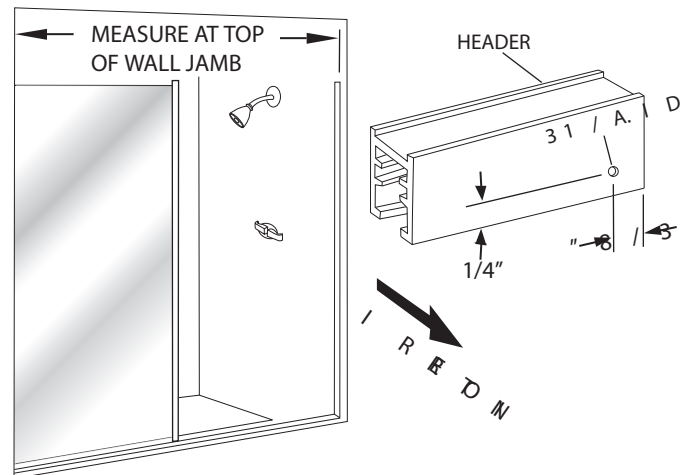
NOTE: Obscure or etched glass panels should be installed with the rough or patterned surface of the glass to the exterior of the unit.

Press the 180° post [G] into the curb and position to overlap the glass panel by 1/2". Use masking tape to hold the post in position temporarily.

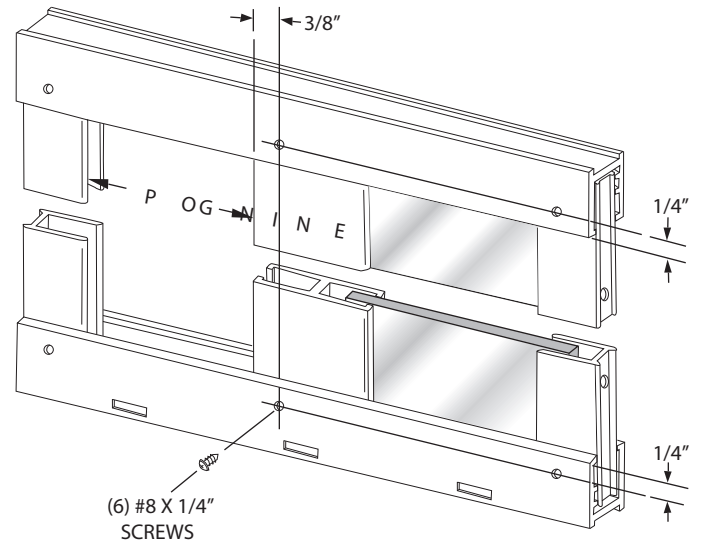
NOTE: To facilitate out-of-plumb walls, the 1/2" glass bite may be varied from 1/4" to 3/4".



6 Measure the wall-to-wall opening at the top of the wall jambs [B] and cut the header [H] to fit the exact opening. Using a 3/16" drill bit, drill the interior face of the header on both ends as shown. These holes may be pre-drilled from the factory.

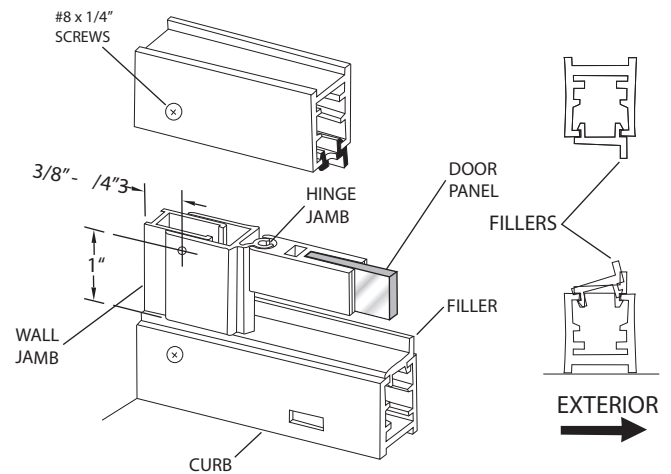


7 Press the header [H] over the wall jambs [B] and the 180° post [G]. Plumb the post, moving it laterally as required to maintain proper coverage on the fixed glass panel [F]. The minimum horizontal dimension for the door opening is the door panel width (see illustration in Step #8) plus 1/2", maximum if the door panel width plus 1 3/4". Using the holes in the ends of the header and curb as a guide, drill four 1/8" holes into the wall jambs. Drill two 1/8" holes thru the header and curb into the 180° post as shown, then enlarge the two outer holes with a 3/16" drill for clearance on the self-tapping screws. Secure the header and curb to the wall jambs and 180° post with six #8 x 1/4" truss head screws [K].



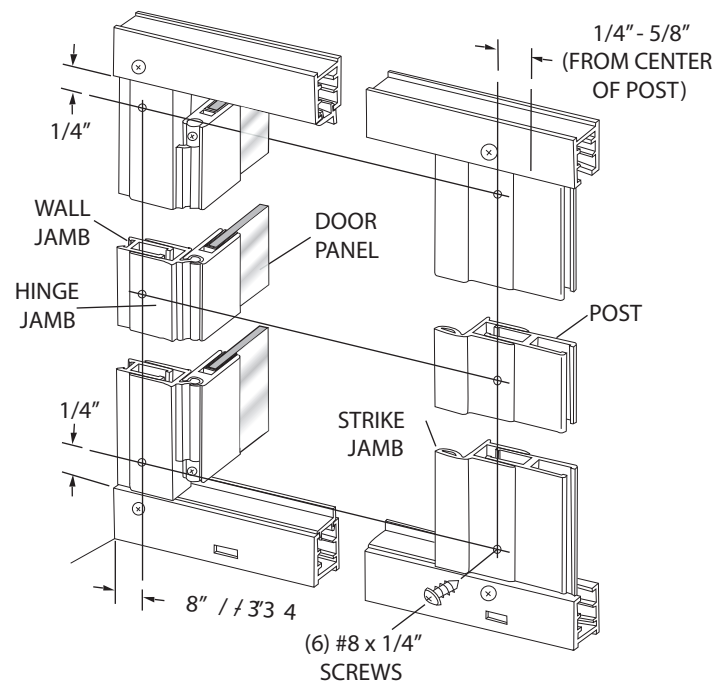
CAUTION: Slide the glass panel away from the wall jamb before drilling to prevent damage or breakage.

8 Orient the door to the opening (either hinge right Or hinge left). Place the door in the opening with the door hinge over the wall jamb or post. Carefully hold the door in the opening (in the open position) and don't let go of the door. Place the top filler to the under side of the header WITH THE RAISED LIP TO THE EXTERIOR and snap it into place. Still holding the door in the opening move down to the lower filler and snap it into place, being sure that the raised lip of the filler is to the exterior.



9 Pull the bottom end of the hinge jamb [L] tight to the curb filler [N] and plumb the jamb. Drill two 1/8" holes thru the hinge jamb and into the wall jamb [B] 3/8" to 3/4" from the wall and approximately 1/4" from the ends of the jamb. Drill a third hole centered between the first two, then enlarge the three outer holes with a 3/16" drill for clearance on the self-tapping screws. Attach the pivot jamb permanently with three #8 x 1/4" truss head screws [K].

Slide the header filler [N] tight against the hinge jamb. Push the strike jamb [M] tight against the fillers top and bottom. With the hinge jamb plumb and both fillers tight between the two door jambs, the strike jamb also will be plumb and parallel to the hinge jamb. Attach the strike jamb to the 180° post [G] in the same manner as the hinge jamb.



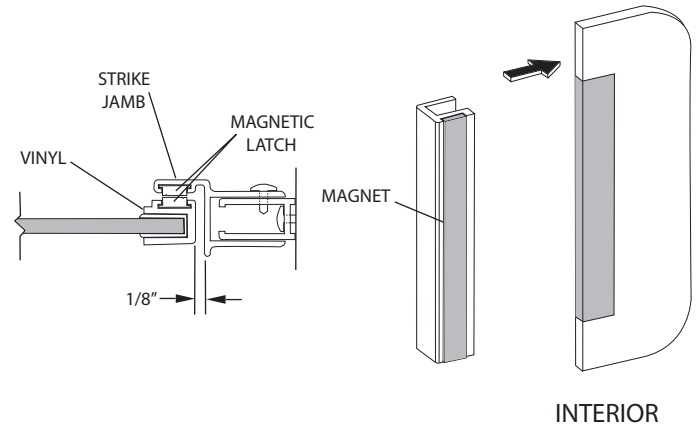
10

Slide the door [I] magnet onto the strike edge of the door panel. Close the door and slide the handle up or down until the two magnetic strips are aligned. Use a pencil or masking tape to mark the location of the magnet on the door.

Slip the vinyl material onto the door between the marks and carefully drive the door magnet on the door panel. Trim excess vinyl material off with a utility knife.

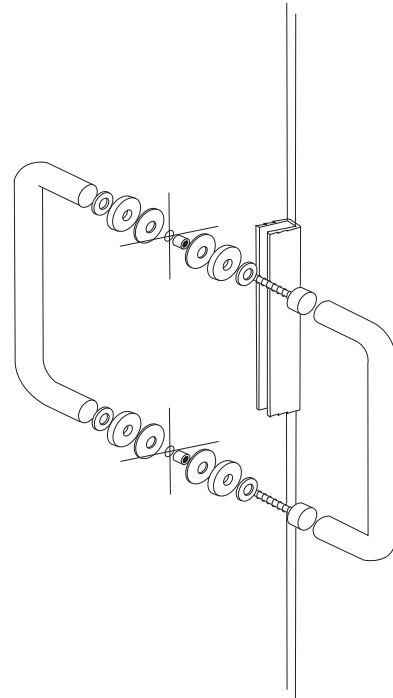
Close the door and check for proper operation of the magnetic catch.

NOTE: Never hit the door magnet with a metal hammer.



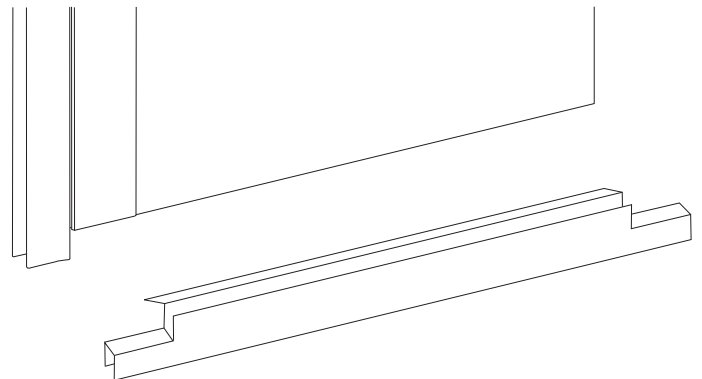
11

SEE SUPPLEMENT INSTRUCTION SHEET FOR INSTALLATION OF EITHER THE "C" PULL HANDLE OR "C" TOWEL BAR COMBO.

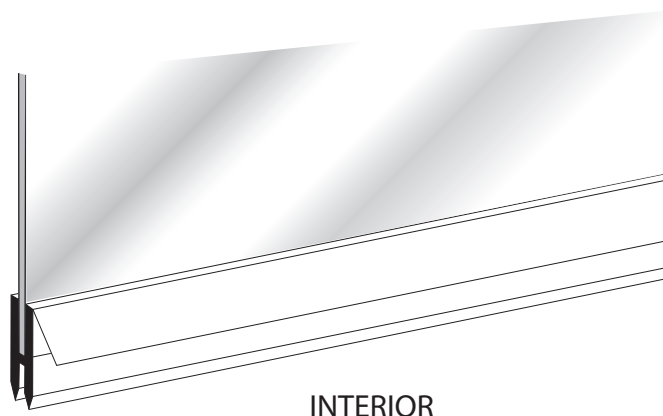


12

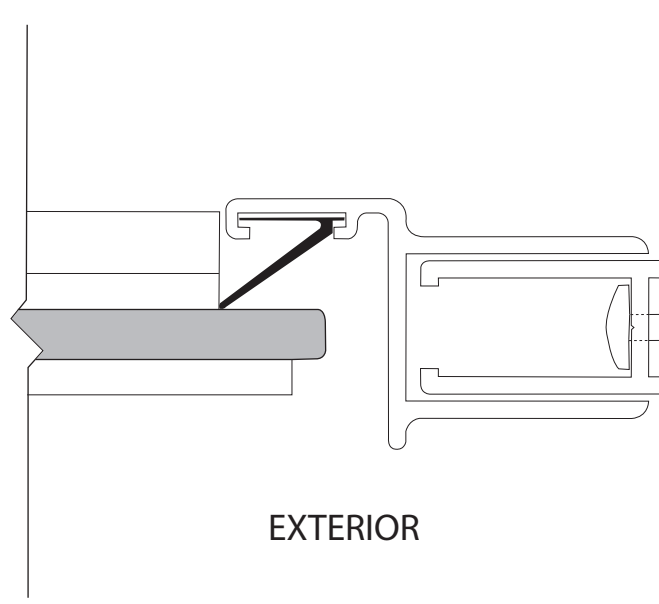
NOTE: The deflector [Q] is notched on both ends. To install deflector, determine if the door is hinge right or hinge left.







13 Align the deflector [Q] to the bottom of the door with the hinge side notch over lapping the hinge, then mark the strike side even with the door edge cut deflector at that point.

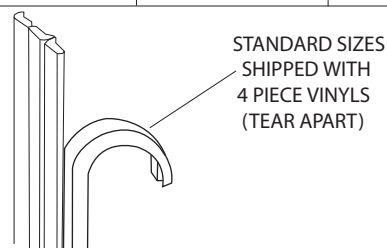


14 Place the deflector onto the bottom of the door and from inside the shower, close the door and mark the deflector at the edge of the strike jamb. Open the door and remove the deflector. Notch the inside portion of the deflector so the door will close to the strike jamb. Replace the deflector back on the door; close the door to check for clearance.



15 Inspect the pieces of black glazing vinyl, and note the two different profiles. The smaller shape [HH] is installed vertically and the larger shape [JJ] is installed horizontally. For structural strength and maximum water resistance, these vinyls are designed to fit tightly between the glass and framing. To speed installation, use glass cleaner for lubrication and a small block of wood to press the vinyl into place.

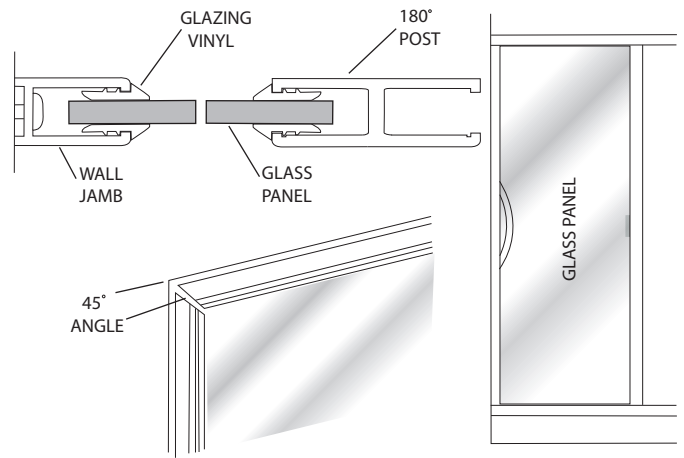
FIXED GLASS PANEL	VERTICAL	HORIZONTAL
1/4" GLASS REQUIRES :	V-219 	V-220 
3/16" GLASS REQUIRES :	V-226 NOTCH 	V-225 NOTCH 



16

Cut four pieces of the smaller vinyl [HH] 1" longer than the vertical opening (to prevent gapping from shrinkage) and trim the ends on a 45° angle. Using the masking tape guides, center the glass panel [F] in the frame. Cut four short (1" – 2") pieces of the small vinyl and press into the jamb and post on each side to hold the glass temporarily.

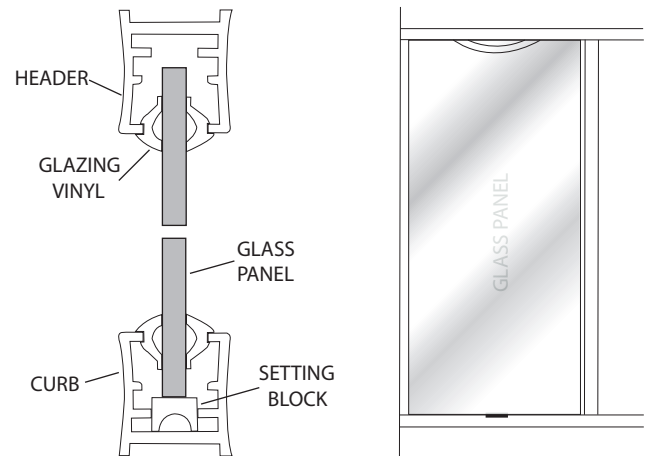
Take one of the long pieces of vinyl, and starting on the outside exterior jamb, press each end into the frame and work toward the middle. Be careful not to stretch the vinyl. Install the other three pieces in a similar fashion.



17

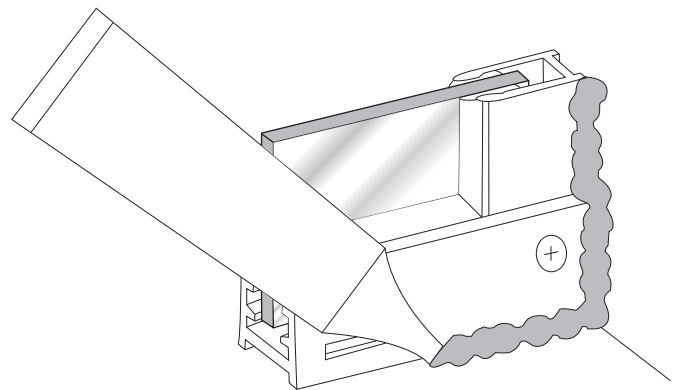
Cut four pieces of the larger vinyl [JJ] 1/2" longer than the horizontal opening and trim the ends on a 45° angle. Install the top exterior vinyl starting at both ends and working toward the middle. Be careful not to stretch the vinyl.

Install the top interior vinyl and the two bottom vinyls in the same way.



18

Carefully caulk the interior jamb-to-wall and curb-to-base joints. For appearance, you may wish to caulk the exterior joints as well. We recommend you wait twenty-four hours before the first shower to allow the caulking to cure properly.



Note: Do not caulk over weep holes

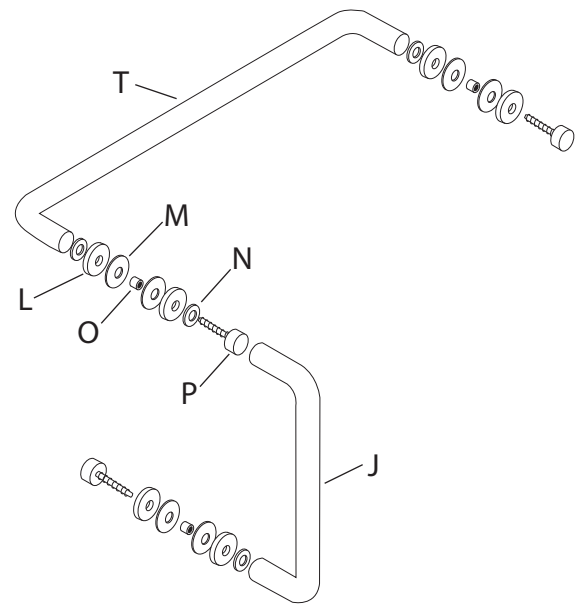
INSTALLATION INSTRUCTIONS – ACCESSORIES

Combination Door Pull and Towel Bar Installation Instructions

There are eleven hardware components for Combination Door Pull and Towel Bar mounting: Six 1-1/4" style washers; one towel bar; one pull; two end caps with threaded studs; one stud head screw. In addition to these hardware parts, there are six clear gaskets that act as a buffer between the hardware and the glass.

STEP 1 Take the stud head screw and sleeve a 1-1/4" style washer on it. Now take both end caps with a stud protruding and sleeve a 1-1/4" style washer on them. Sleeve a clear gasket on each of the screws.

STEP 2 The towel bar will be mounted first. Take the stud head screw with the washer and gasket attached, and from the inside of the enclosure push the threaded portion through the top hole in the glass on the strike side of the door. Place a clear gasket, then a 1-1/4" style washer over the stud head screw on the outside of the glass door. Now thread the stud head screw into the towel bar and tighten. On the other end of the towel bar (on the hinge side), push one of the end caps with the stud protruding through the hole. Now place a clear gasket, then a 1-1/4" style washer over the threaded stud on the outside of the glass door. Thread the end cap into the towel bar and tighten by hand. Tighten both components down, the stud head screw with a screwdriver, and the end cap by hand.



J	Exterior handle	(1)
T	Towel bar	(1)
L	Metal washers	(6)
M	Large clear discs	(6)
N	Small clear discs	(6)
O	Glass hole sleeve	(3)
P	Stud screws	(3)

STEP 3 The towel bar is now complete and it is time to mount the pull portion. From outside the enclosure, push the end cap with the stud protruding through the bottom hole of the door. First place a clear gasket, then a 1-1/4" style washer over the threaded stud on the inside of the glass door. Now thread the stud into the small threaded opening of the pull. Do not tighten this end of the pull down at this time. Place the end of the pull with the large hole and the set screw over the stud head. Now tighten the end cap by hand as tight as possible. Use the Allen wrench provided to tighten the set screw on the pull to the stud head screw.

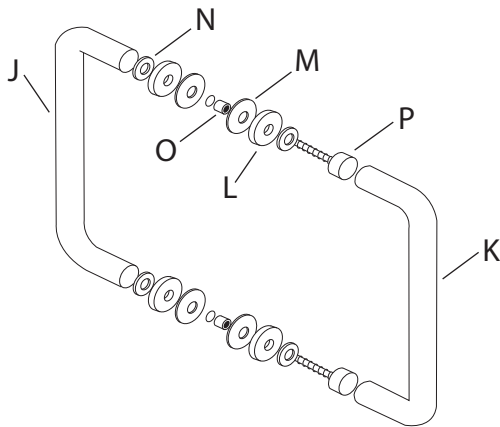
Back-To-Back Door Pull or Towel Bar Mounting Instructions

There are six hardware components for back-to-back mounting: two pulls and four 1-1/4" diameter style washers. In addition to these hardware parts, there are four clear gaskets and two stud head screws. A decision must be made at this time as to the location of the half of the pull that contains the set screws. Most put the set screws to the outside of the enclosure, so they are not exposed to direct water contact. These instructions will address this application.

STEP 1 Take the two stud head mounting screws and sleeve on 1-1/4" style washer on each screw. Next, sleeve one of the clear gaskets onto the screw. From the outside of the enclosure, push the thread of the screw through the hole in the glass. On the inside of the enclosure, sleeve a clear gasket onto the threads of the screw. Place the 1-1/4" style washer over the threads and onto the glass.

STEP 2 Take the pull that has the smaller threaded holes in each end and begin to thread the screw into it. Line up the other end of the pull with the other screw and begin to thread it through as well. Tighten both screws to "finger-tightness", then tighten the stud head screws down permanently with a screwdriver.

STEP 3 Place the remaining pull, with the large holes in each end as well as a set screw, onto the stud heads of the screws. Tighten the set screws with the Allen wrench provided.



J	Interior & Exterior handle (1 ea.)	
K		
L	Metal washers	(4)
M	Large clear discs	(4)
N	Small clear discs	(4)
O	Glass hole sleeve	(2)
P	Stud screws	(2)