

| | |
|---------|-------|
| A | 37PCS |
| | |
| Ø6*35mm | |

| | |
|----------|-------|
| B | 37PCS |
| | |
| Ø15*10mm | |

| | |
|---------|-------|
| C | 30PCS |
| | |
| M8*30mm | |

| | |
|-----|-----|
| D | 2PC |
| | |
| 12" | |

| | |
|-----------|--------|
| E | 100PCS |
| | |
| M3.5*14mm | |

| | |
|---------|-------|
| F | 12PCS |
| | |
| M7*38mm | |

| | |
|------|------|
| G | 8PCS |
| | |
| 2.5" | |

| | |
|---------|------|
| H | 4PCS |
| | |
| M8*30mm | |

| | |
|---------|------|
| I | 2PCS |
| | |
| M6*38mm | |

| | |
|---------|------|
| J | 2PCS |
| | |
| M6*38mm | |

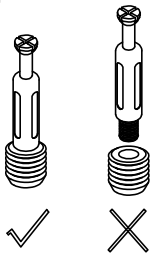
| | |
|-----------|------|
| K | 8PCS |
| | |
| M3.5*35mm | |

| | |
|---|------|
| H | 2PCS |
| | |

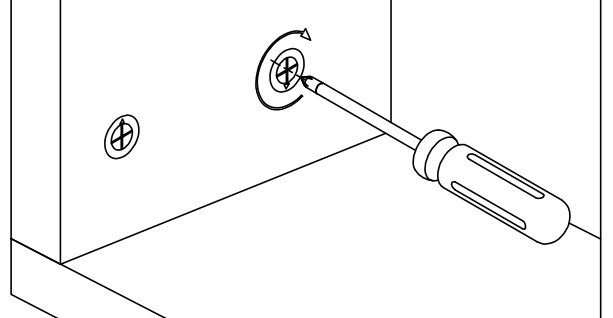
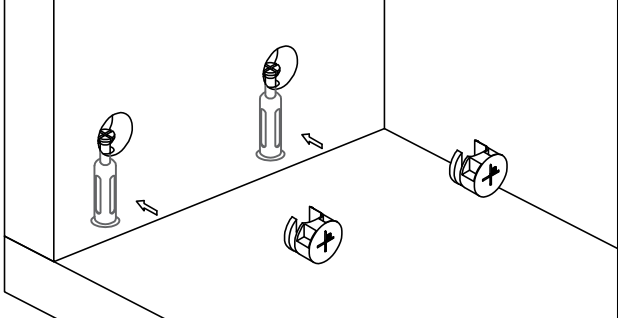
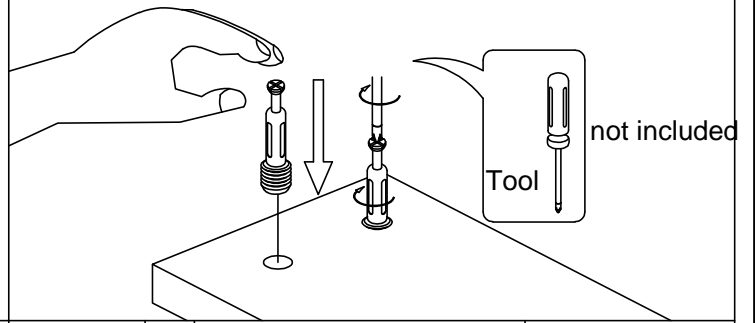
| | |
|---------|-------|
| I | 16PCS |
| | |
| M5*14mm | |

"A" Hardware installation example

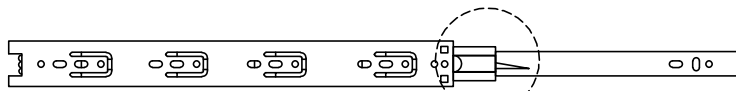
Step 1



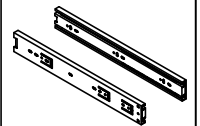
This part cannot be separated, please install in strict accordance with the assembly requirements



FX12

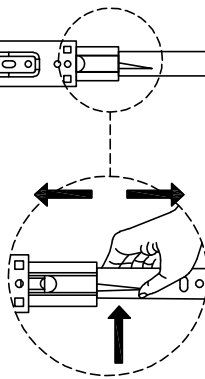


D 4PCS

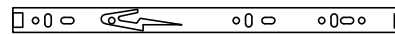


12"

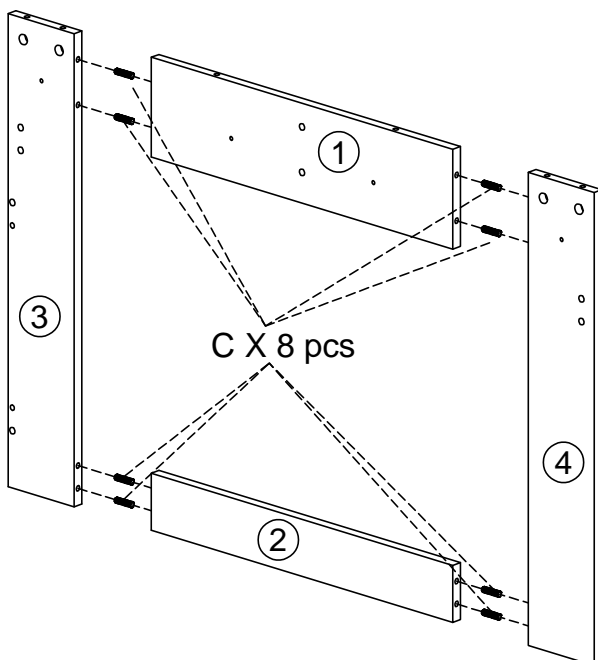
F1



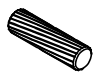
F2



Step 2



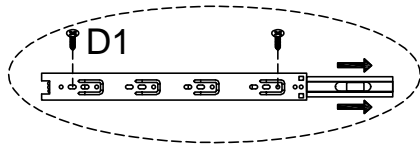
C 16PCS



M8*40mm

X 2

Step 3

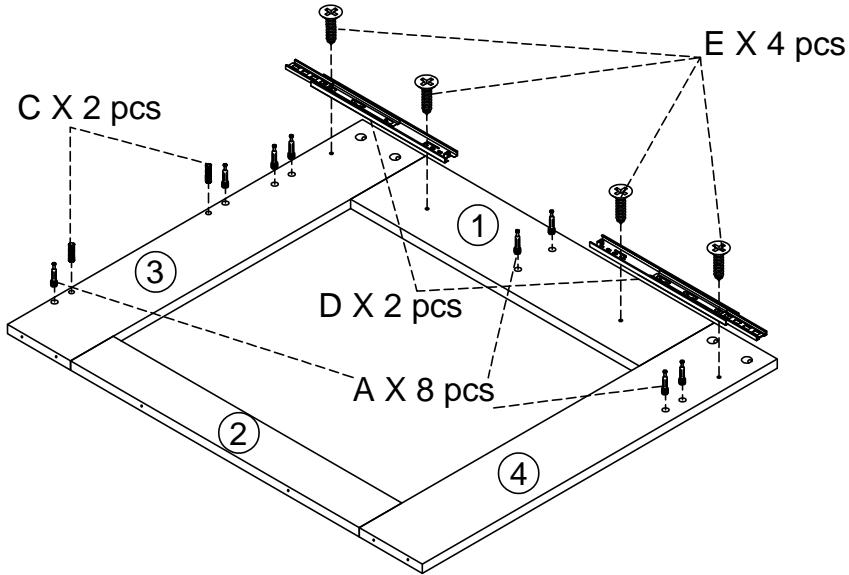


| | | | |
|---------|------|-----|-----|
| C | 4PCS | D | 4PC |
| | | | |
| M8*30mm | | 12" | |

| | |
|---|------|
| E | 8PCS |
| | |

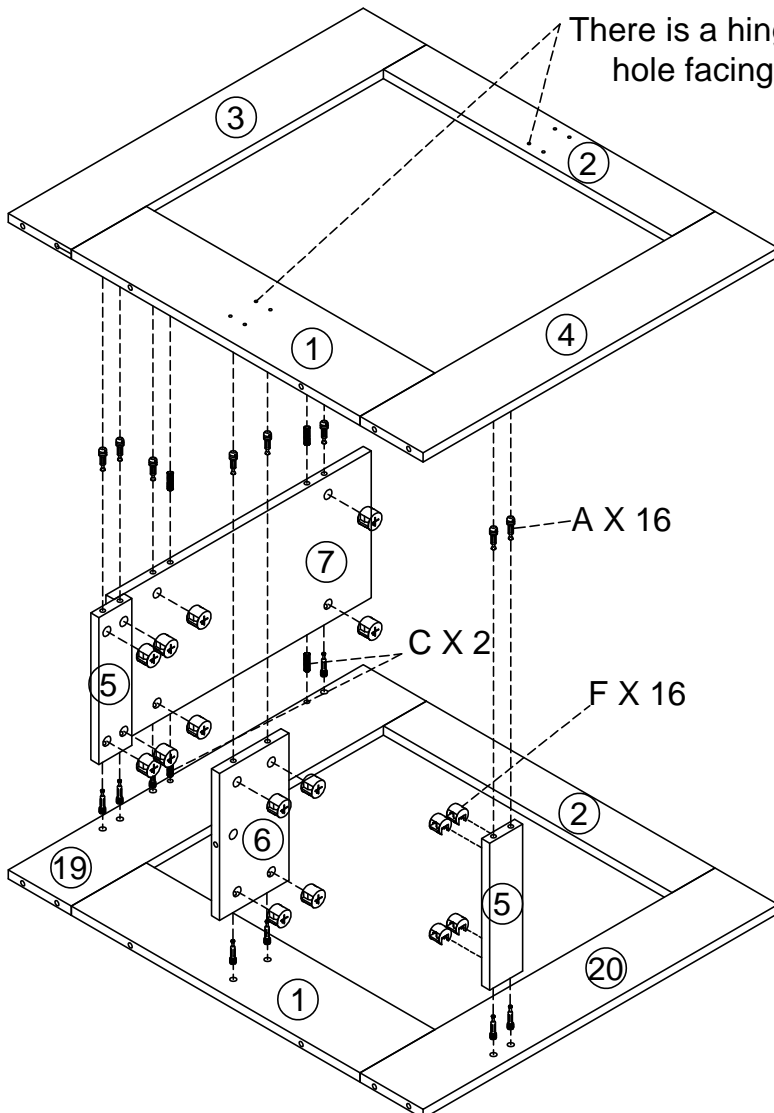
| | |
|-----------|-------|
| M3.5*14mm | |
| A | 16PCS |

| | |
|---------|--|
| | |
| Ø6*35mm | |



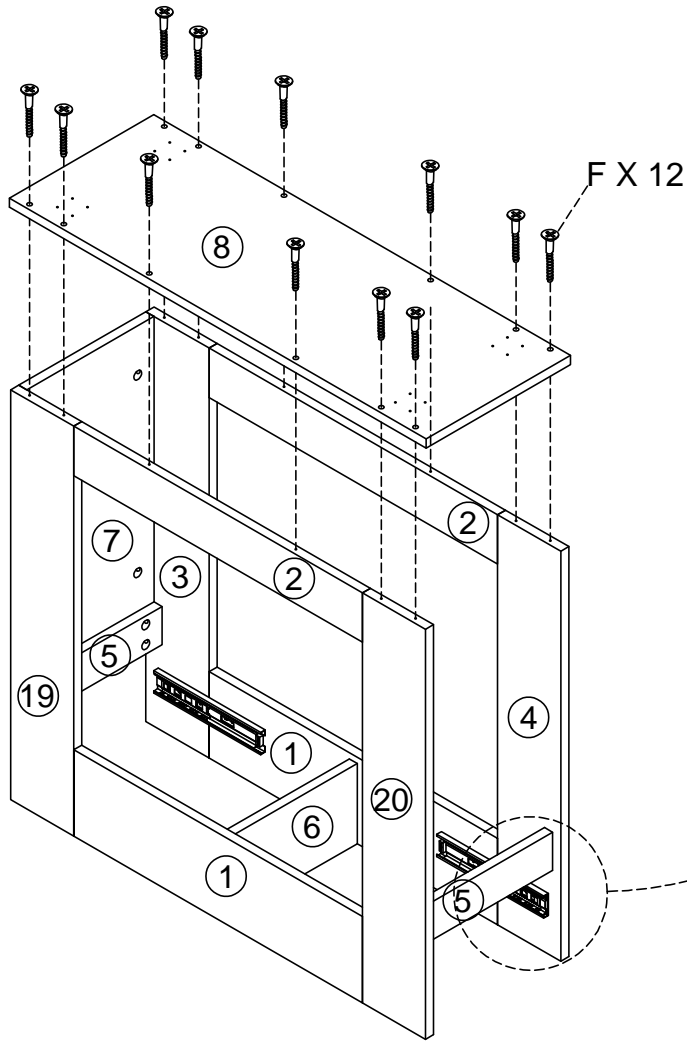
X 2

Step 4



| | |
|----------|-------|
| B | 16PCS |
| | |
| Ø15*10mm | |

Step 5

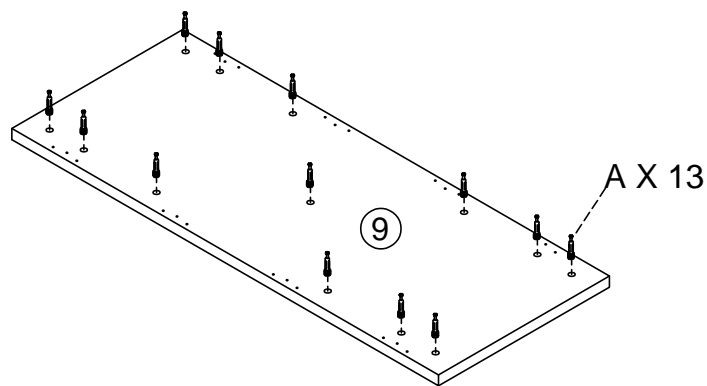


F | 12PCS

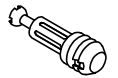


M7*38mm

Step 6

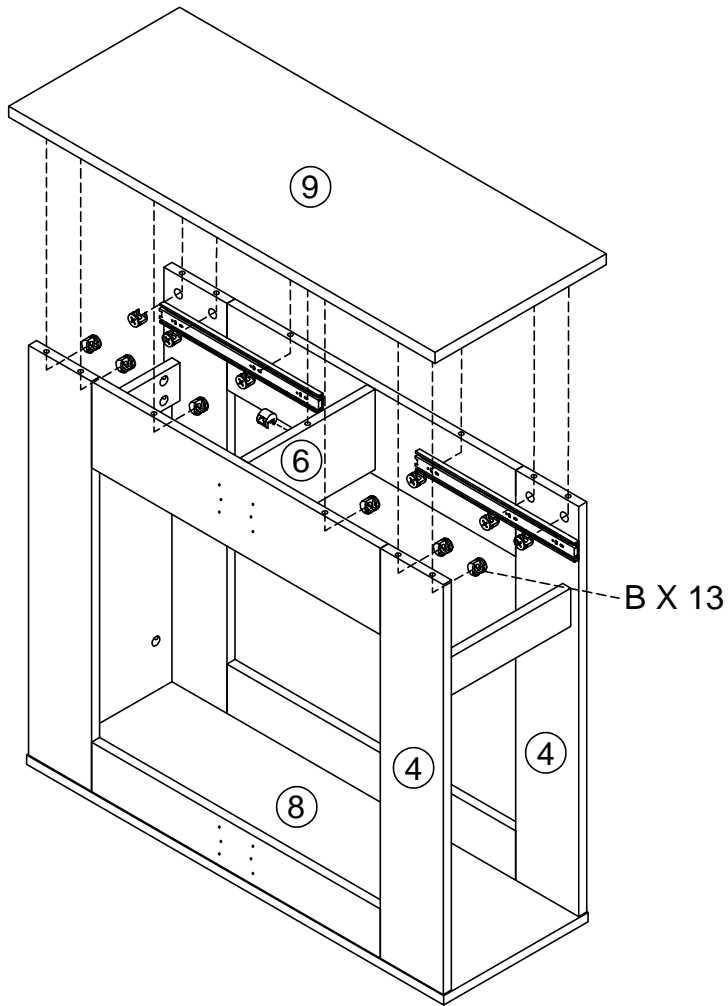


A | 13PCS



Ø6*35mm

Step 7

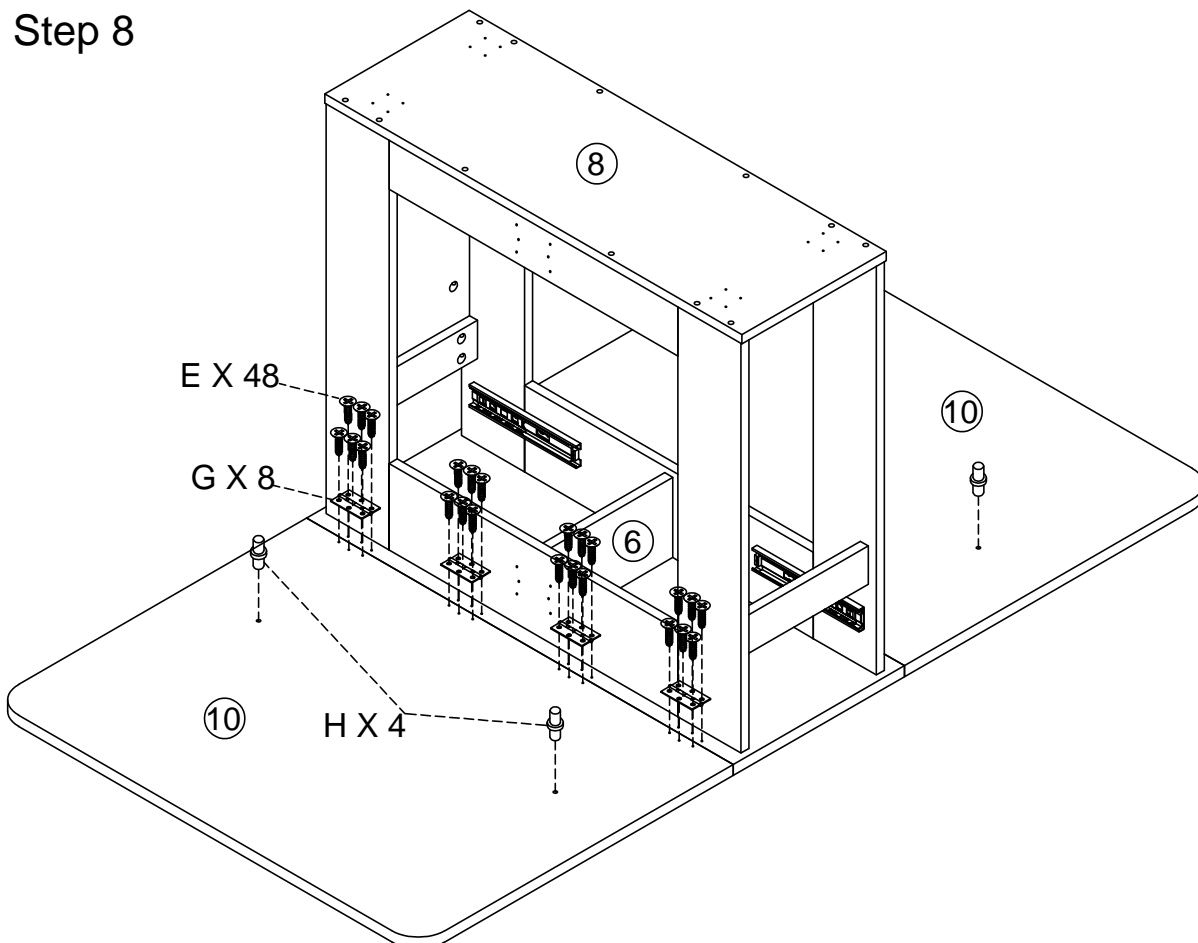


B | 13PCS

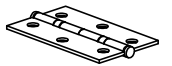


Ø15*10mm

Step 8

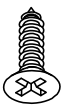


G | 8PCS



2.5"

E | 48PCS



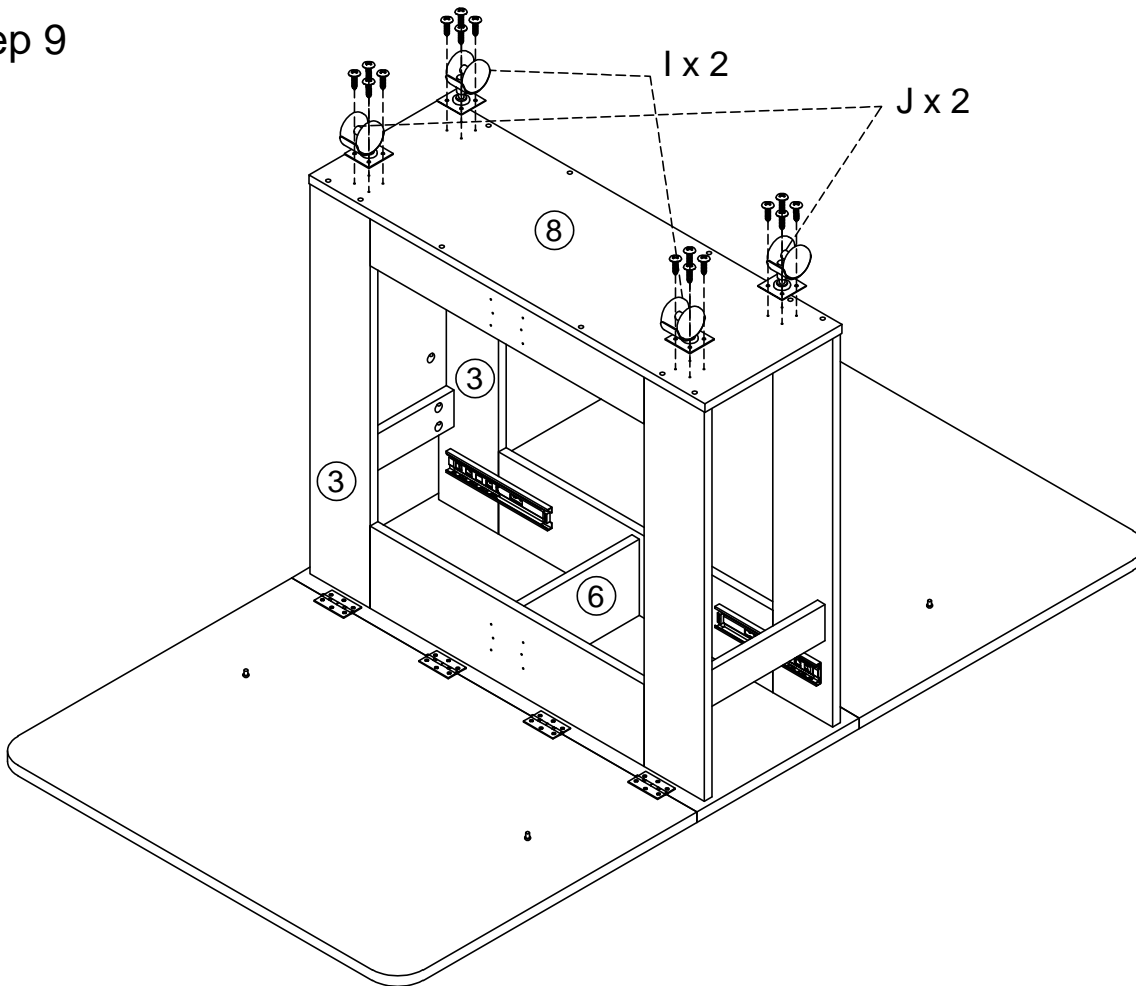
M3.5*14mm


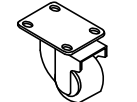
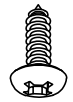
H | 4PCS



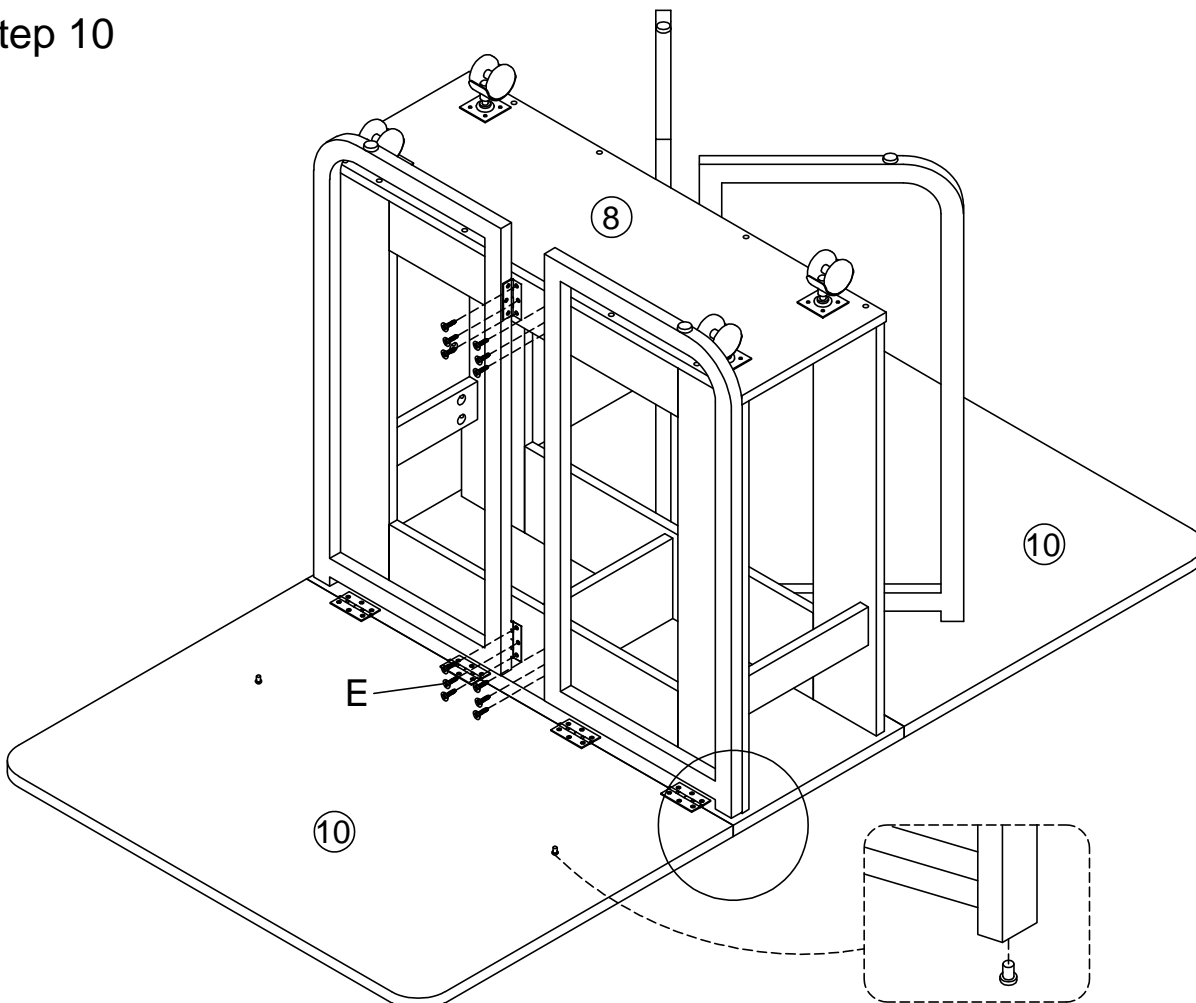
M8*30mm

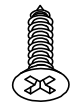
Step 9



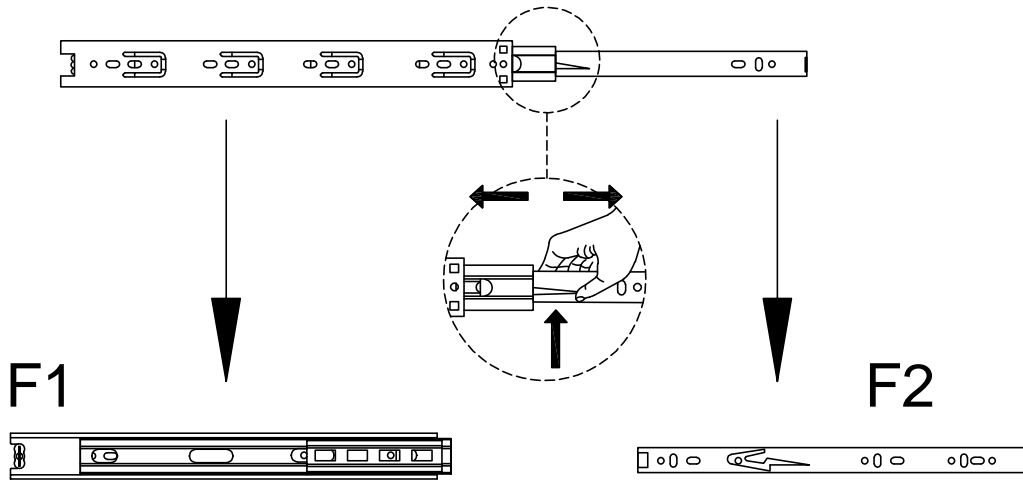
| | |
|---|-------|
| I | 2PCS |
|  | |
| M6*38mm | |
| J | 2PCS |
|  | |
| M6*38mm | |
| I | 16PCS |
|  | |
| M5*14mm | |

Step 10



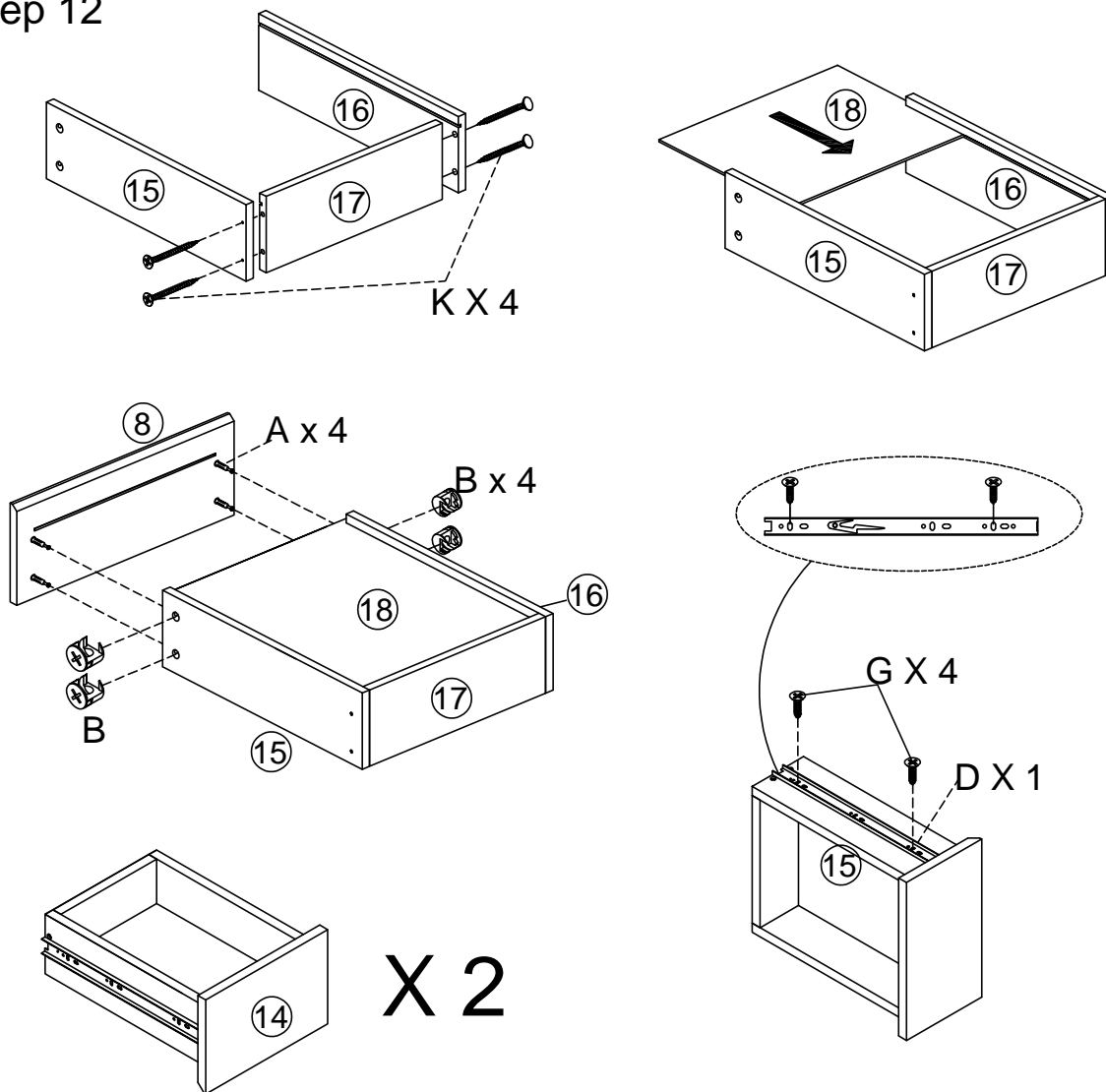
| | |
|---|-------|
| E | 24PCS |
|  | |
| M3.5*14mm | |

Step 11



| | |
|-----|------|
| D | 2PCS |
| | |
| 12" | |

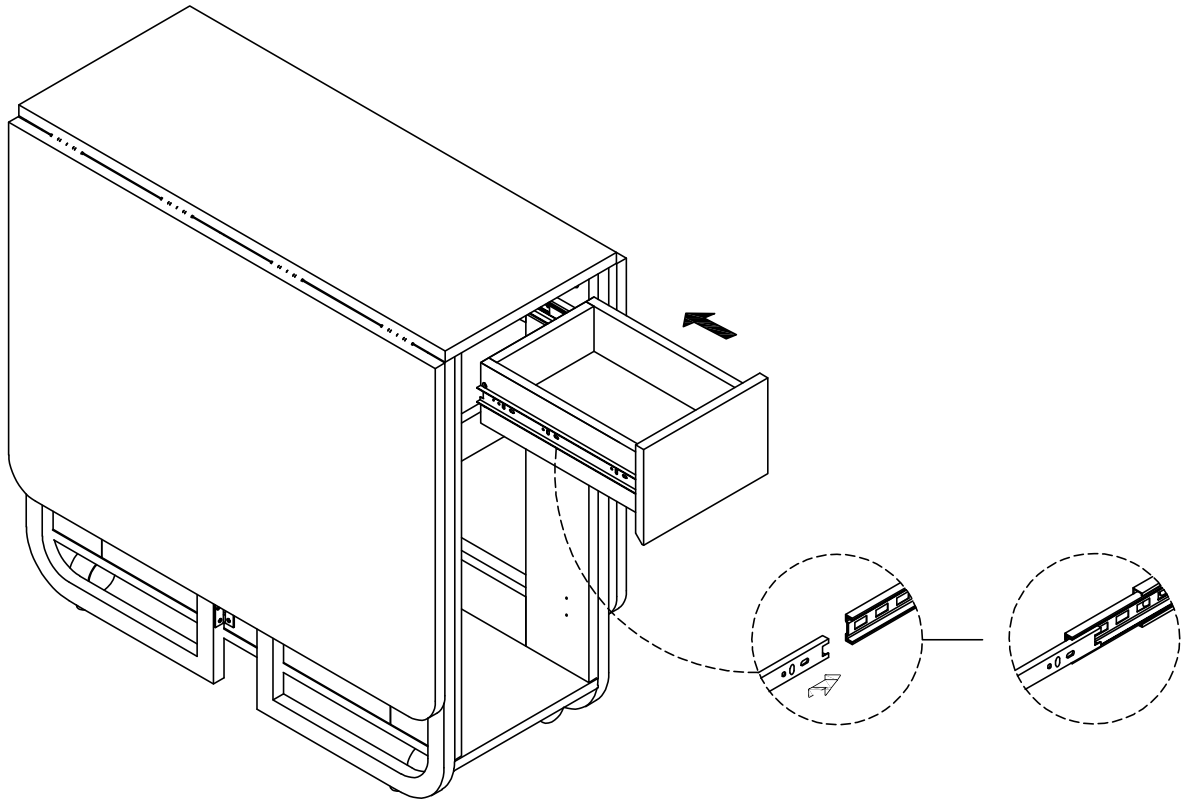
Step 12



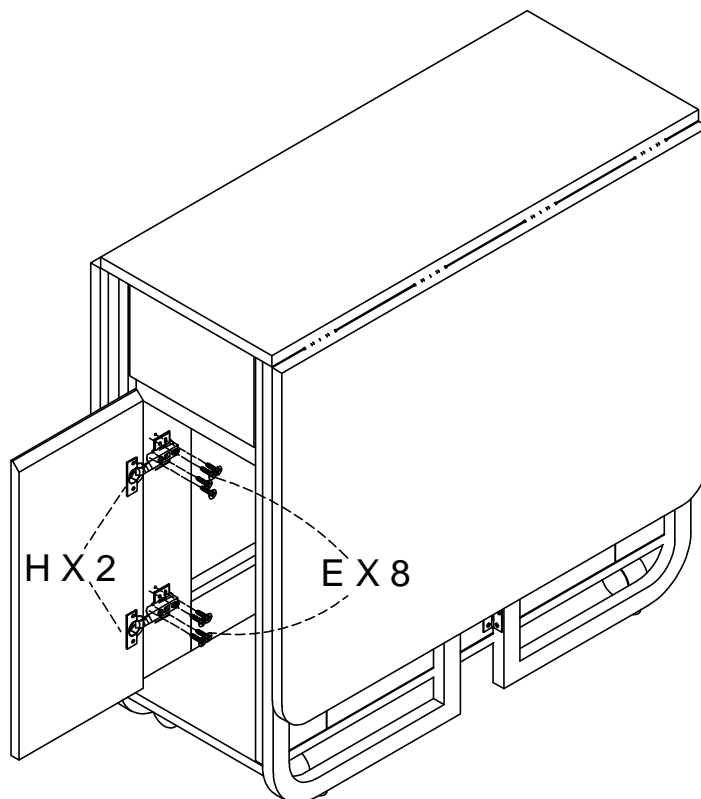
| | |
|-----------|------|
| A | 8PCS |
| | |
| Ø6*35mm | |
| B | 8PCS |
| | |
| Ø15*10mm | |
| K | 8PCS |
| | |
| M3.5*35mm | |
| D | 2PC |
| | |
| 12" | |
| E | 8PCS |
| | |
| M3.5*14mm | |

X 2

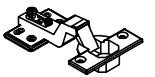
Step 13



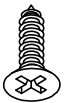
Step 14



H 2PCS

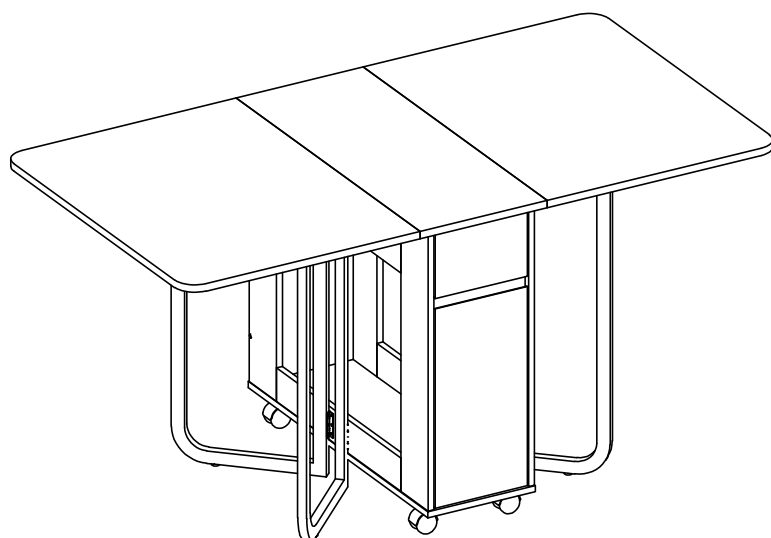
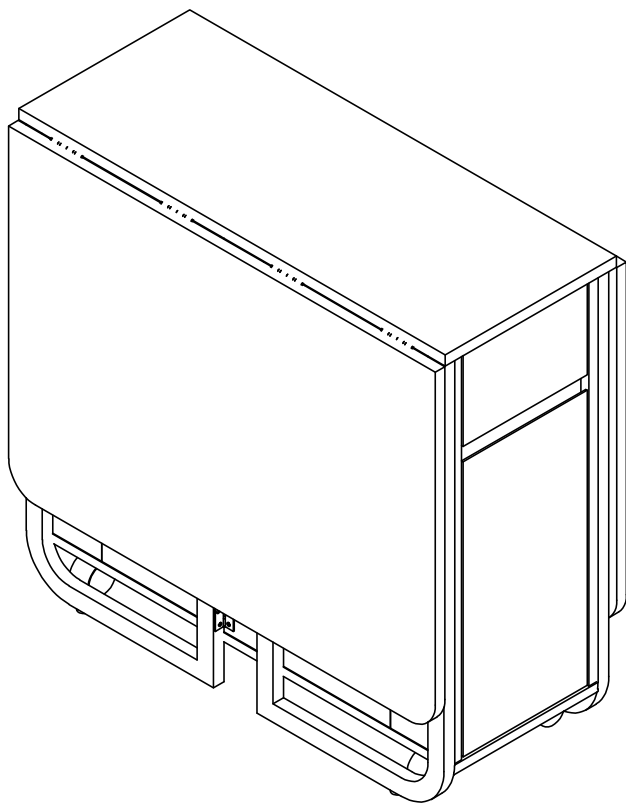


E 12PCS



M3.5*14mm

Step 15



OK