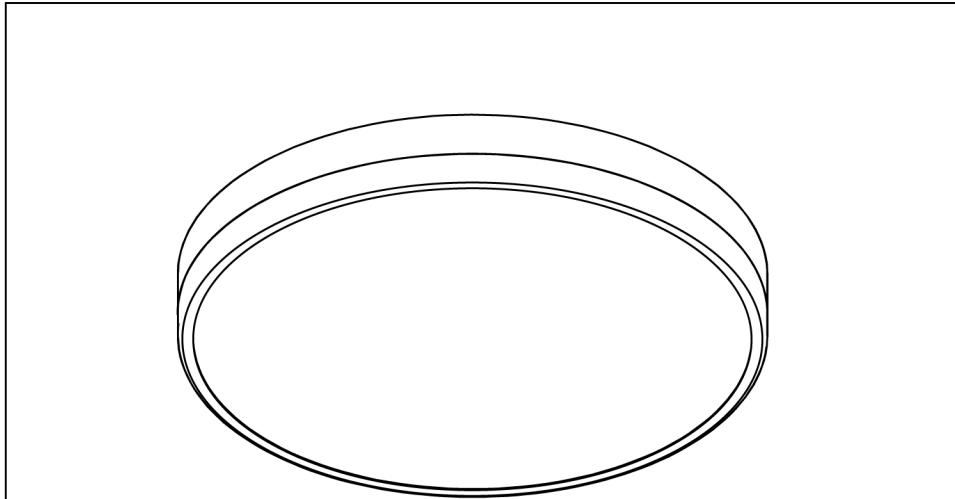


ITEM NUMBER: MRCF06-13GB

Please consult your electrician for hanging fixture and wiring.



The fixture is designed to dim with a standard Triac forward phase dimmer. Dimming levels will vary by dimmer.

Below is a list of recommended dimmers:

- Lutron MACL-153M
- Lutron DVL-153P
- Lutron SCL-153P
- Leviton IPL06-10Z
- Leviton 6674-POW

Due to inrush current, wattage should not exceed 150 Watts of product for a 600W dimmer.

WARNING: Wires need to be connected to driver found in canopy and should not be connected directly to power source or a short may occur.

3000K-4000K-5000K DIMMABLE

IMPORTANT: Turn off the power at the main fuse or circuit breaker box before starting installation



Wire Nuts(AA)



1-1/4" Screws(BB)

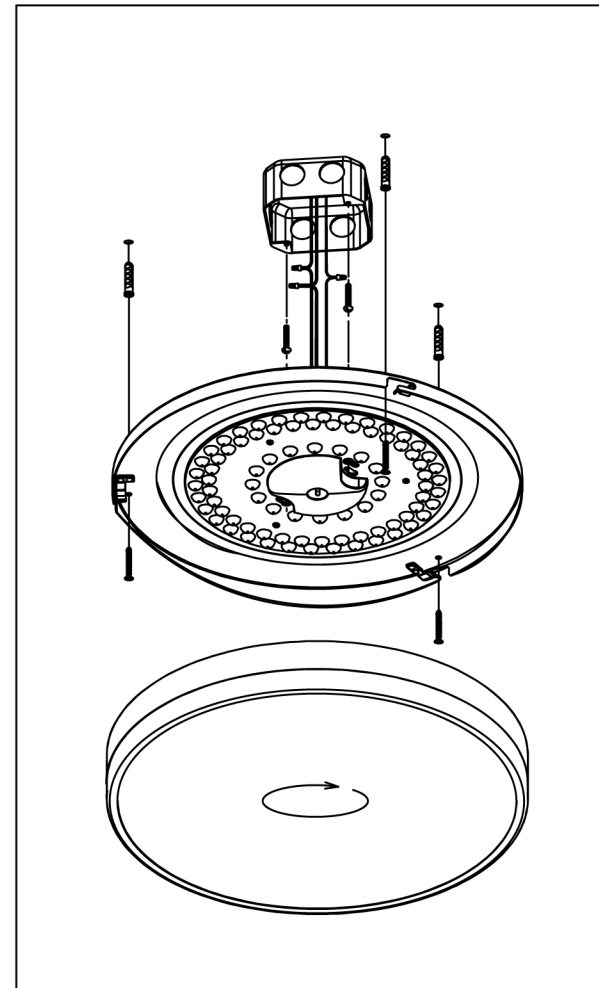


Wall Anchors(CC)

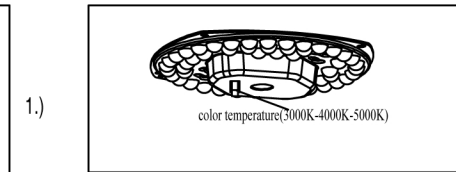


Self-tapping Screws(DD)

Locate all hardware & components before discarding packaging

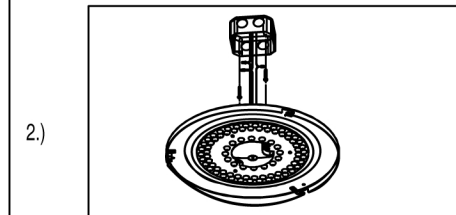


Cleaning & Care:
Clean with soft cloth and a mild detergent.
Do not use abrasive cleaner.



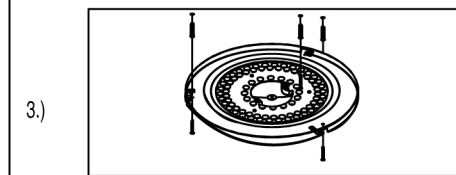
1.)

Step 1: Remove the lens by rotating it clockwise. Choose needed color temperature by adjusting switch position.



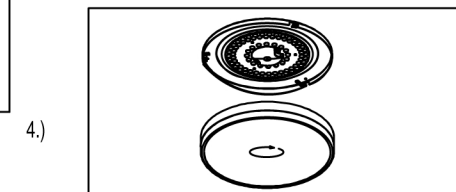
2.)

Step 2: Attach two screws(BB) to the outlet box. Connect the wires: Black to Black, White to White, Green to Green. Secure the connection with wire nuts(AA). Carefully tuck all the wires back into the outlet box.



3.)

Step 3: For drywall installations, insert the wall anchors(CC) into the holes. Otherwise, secure the fixture pan using the self-tapping screws(DD). Then, fully tighten the outlet box screws.



4.)

Step 4: Place the fixture pan over the outlet box and feed the screws through keyhole slots. Rotate the fixture pan clockwise until the screws lock into the narrow end of the keyhole slots and tighten screws firmly. Secure the lens to the fixture pan by rotating it counter clockwise.