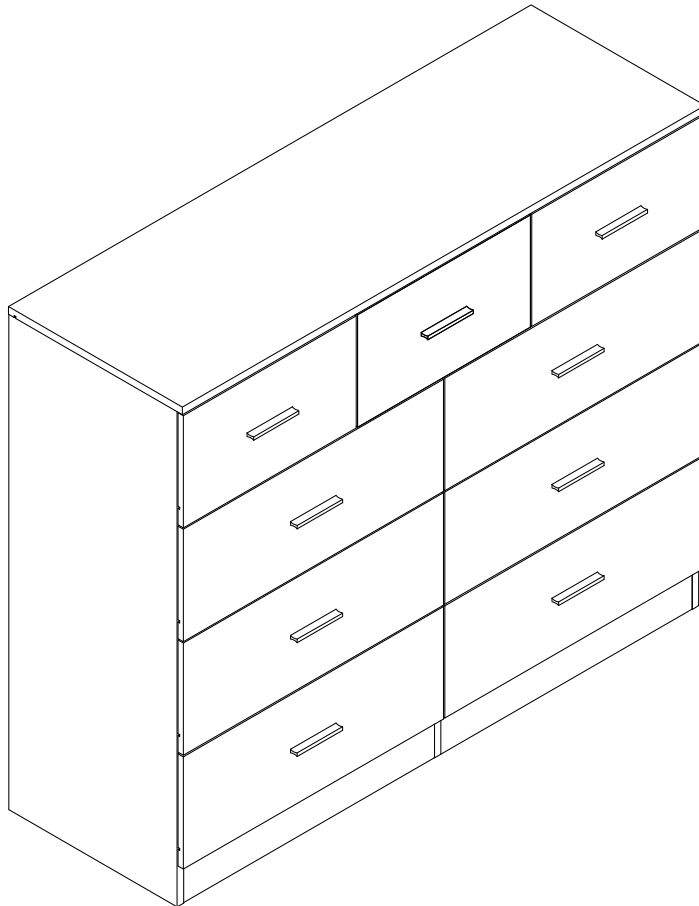
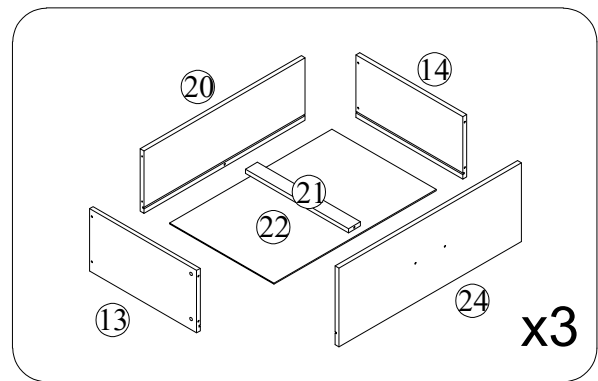
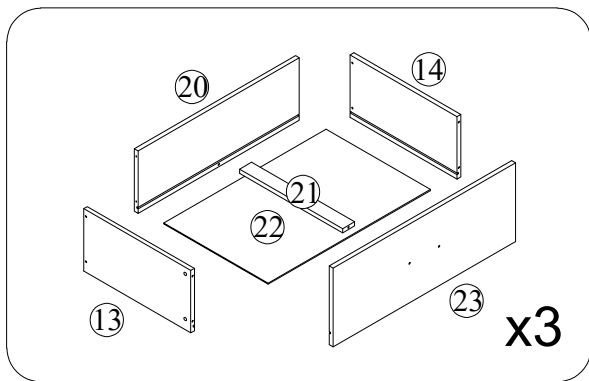
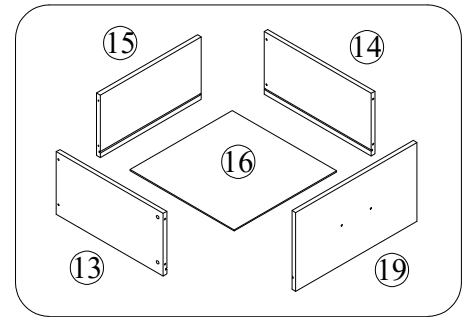
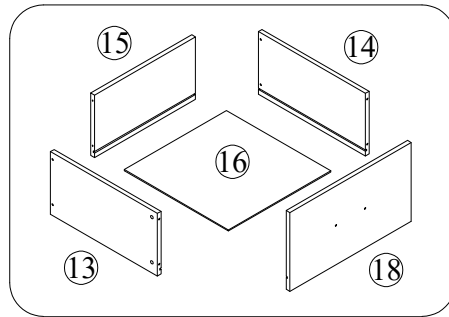
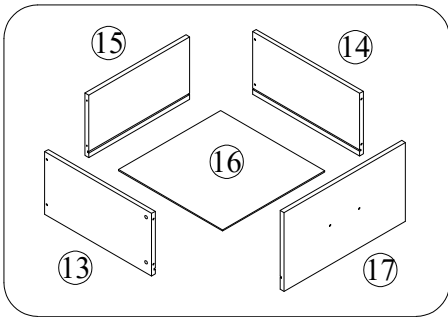
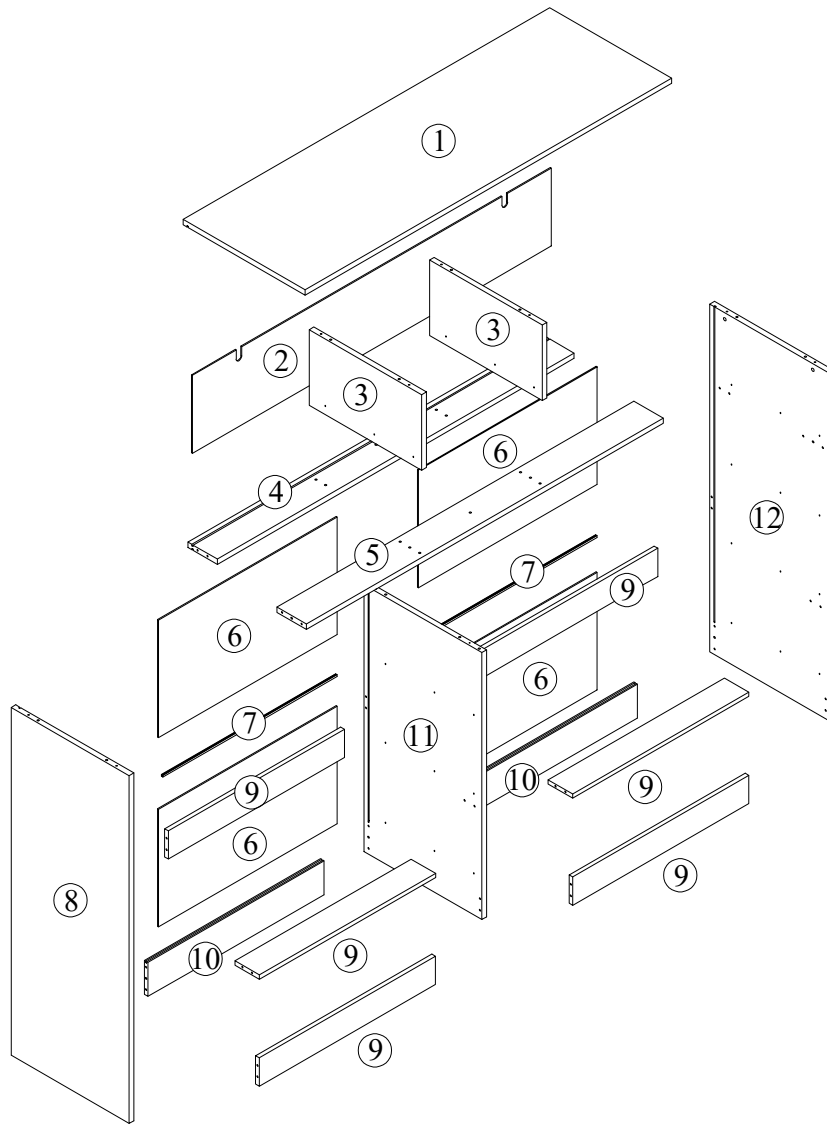
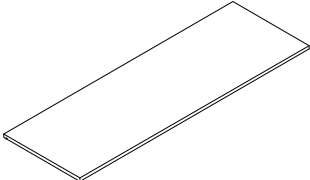
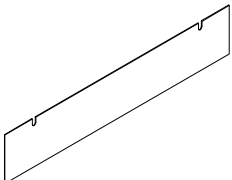
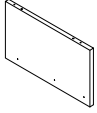
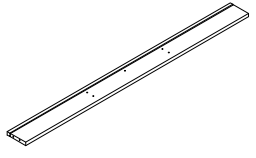
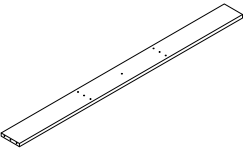
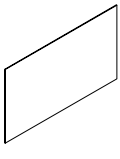


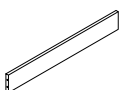

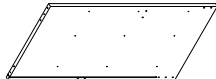

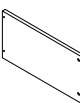
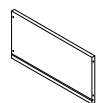
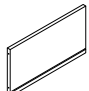
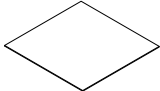
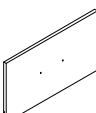
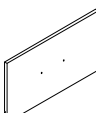
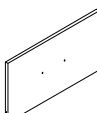
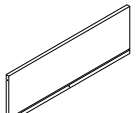

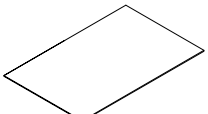
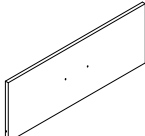
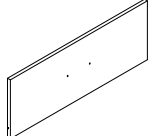
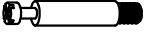



# Assembly Instruction




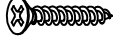


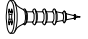
1  1198x398x15 x1	2  1174x221 x1	3  214x367x15 x2	4  1167x95x15 x1
5  1167x95x15 x1	6  583x333 x4	7  575mm x2	8  984x385x15 x1
9  576x79x12 x6	10  576x95x12 x2	11  755x385x15 x1	12  984x385x15 x1
13  350x176x12 x9	14  350x176x12 x9	15  330x176x12 x3	16  337x344 x3
17  396x222x12 x1	18  396x222x12 x1	19  396x222x12 x1	20  527x176x12 x6
21  337x39x12 x6	22  534x344 x6	23  596x222x12 x3	24  596x222x12 x3




A	x 90+9
	
Φ6X35mm	


B	x 90+9
	
Φ15X10mm	




C	x 21+2
	
Φ6X30mm	

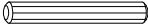
D	x 42+4
	
Φ4X35mm	


E	x 108+11
	
Φ3X12mm	



F	x 2
F-1	F-2
	
	
Φ4X12mm	




G	x 6
	

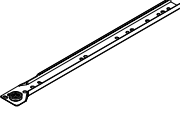
H	x 9
H-1	H-2
	
	
Φ4X16mm	

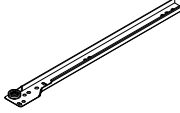
I	x 1
	
Φ6X50mm	

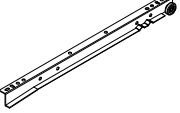
J	x 6+1
	
Φ5X40mm	

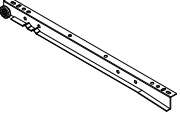
K	x 20
K-1	K-2
	
Φ3X16mm	

L	x 2	
L-1	L-2	L-3
		
Φ4X45mm		

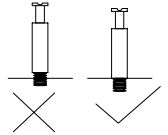
CL	x 9
	
L350	

CR	x 9
	
L350	

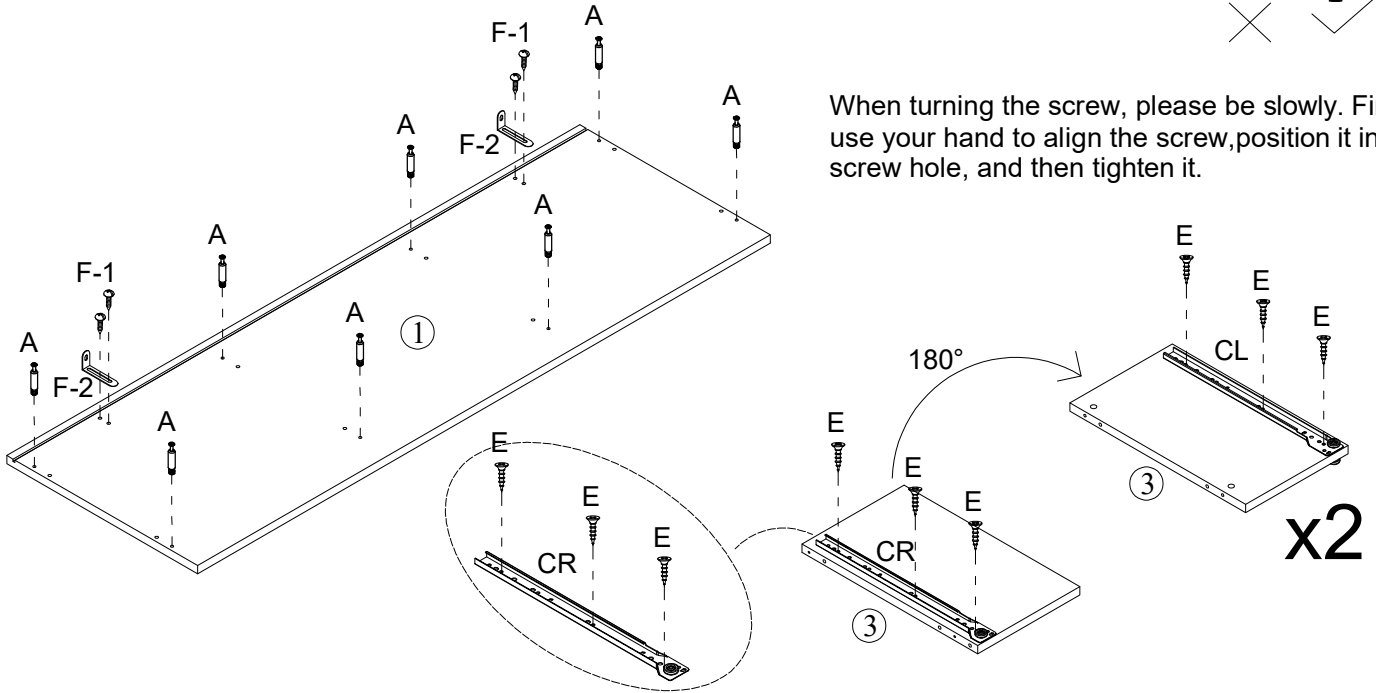
DL	x 9
	
L350	

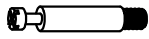
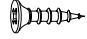
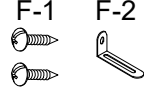
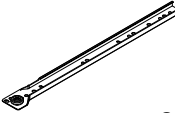
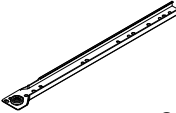
DR	x 9
	
L350	

1

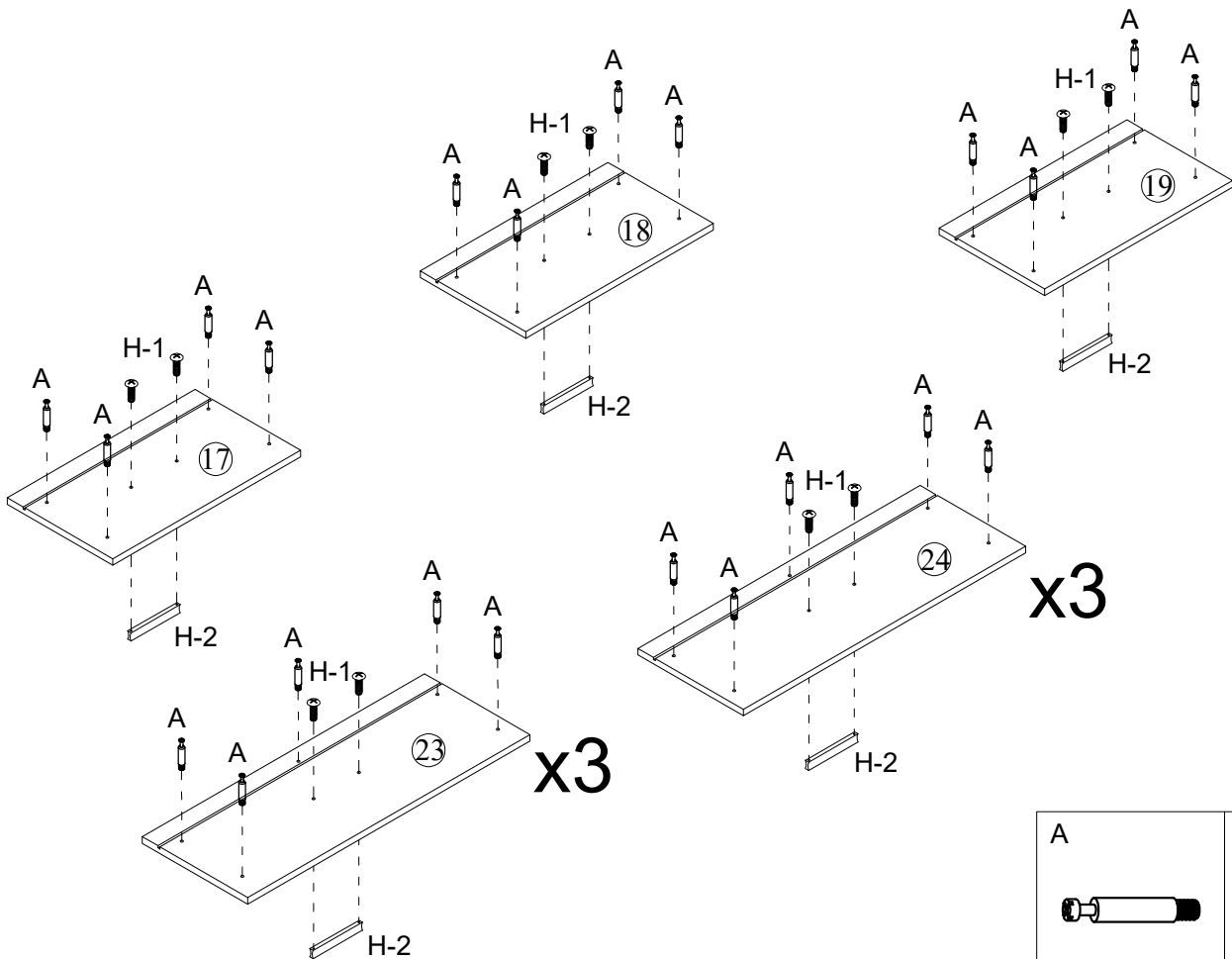


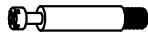
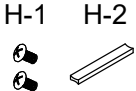
When turning the screw, please be slowly. First, use your hand to align the screw, position it in the screw hole, and then tighten it.



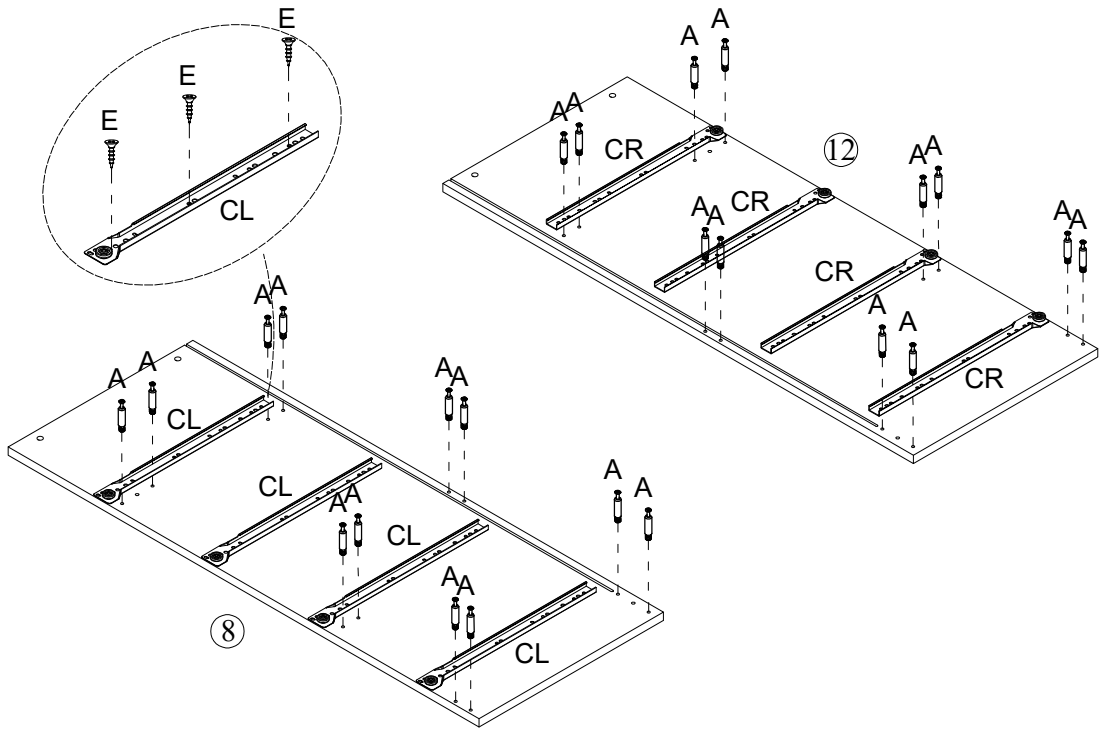
<p>A</p>  <p>x 8</p>	<p>E</p>  <p>x 12</p>	<p>F</p>  <p>x 2</p>	<p>CL</p>  <p>x 2</p>	<p>CR</p>  <p>x 2</p>
---	--	--	---	---

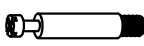

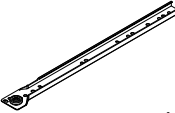
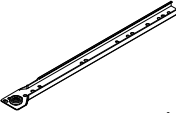
2



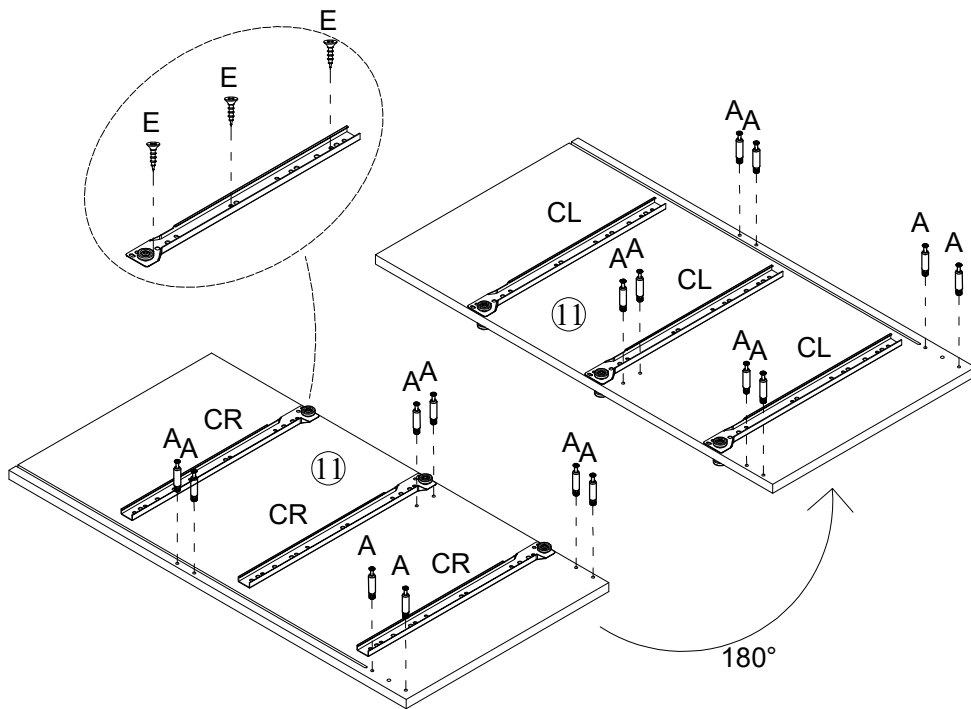
<p>A</p>  <p>x 42</p>	<p>H</p>  <p>x 9</p>
--	---

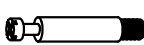

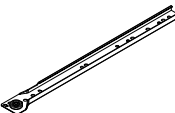
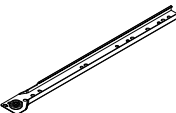
3



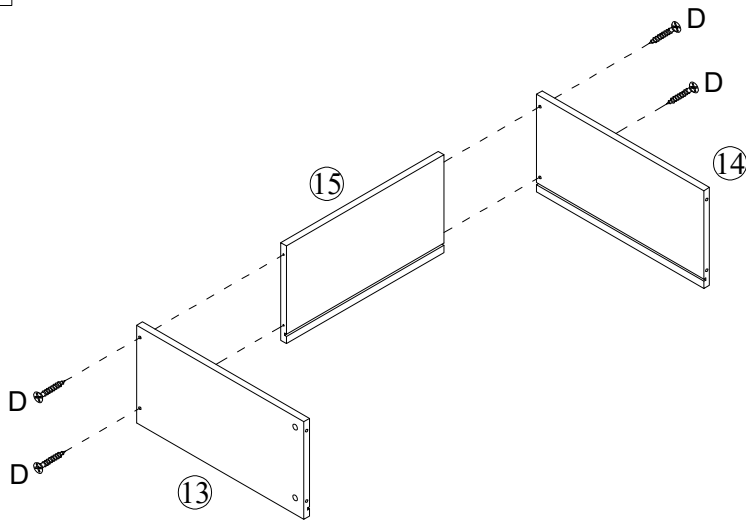
<p>A</p>  <p>x 24</p>	<p>E</p>  <p>x 24</p>	<p>CL</p>  <p>x 4</p>	<p>CR</p>  <p>x 4</p>
---	---	---	---

4

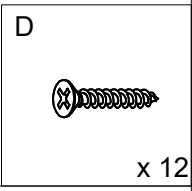
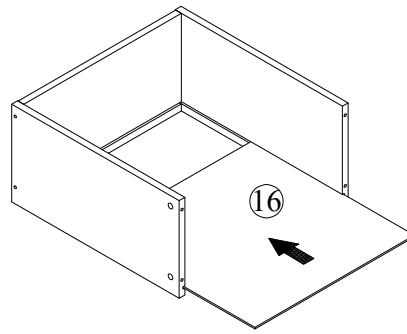


<p>A</p>  <p>x 16</p>	<p>E</p>  <p>x 18</p>	<p>CL</p>  <p>x 3</p>	<p>CR</p>  <p>x 3</p>
--	--	--	--

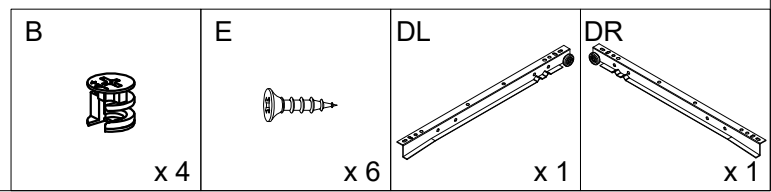
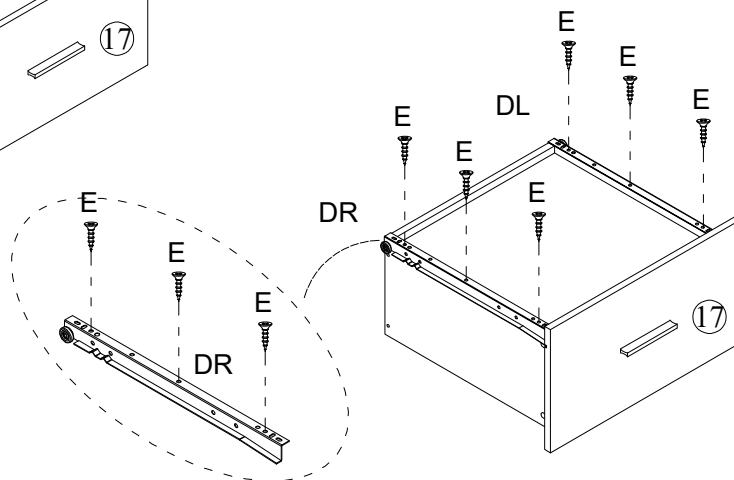
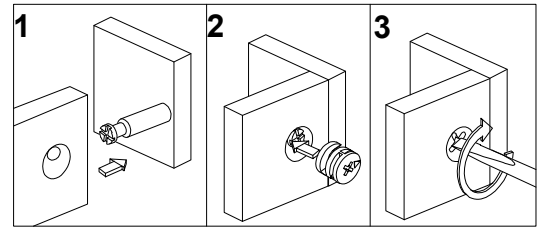
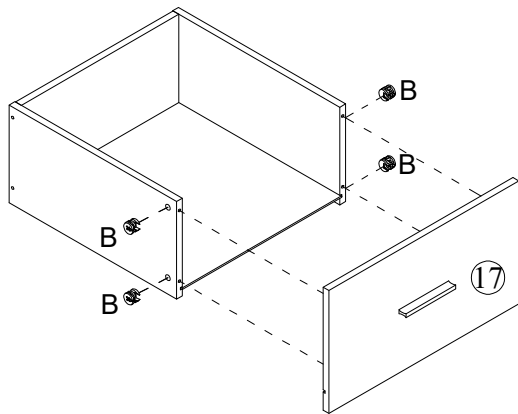
5



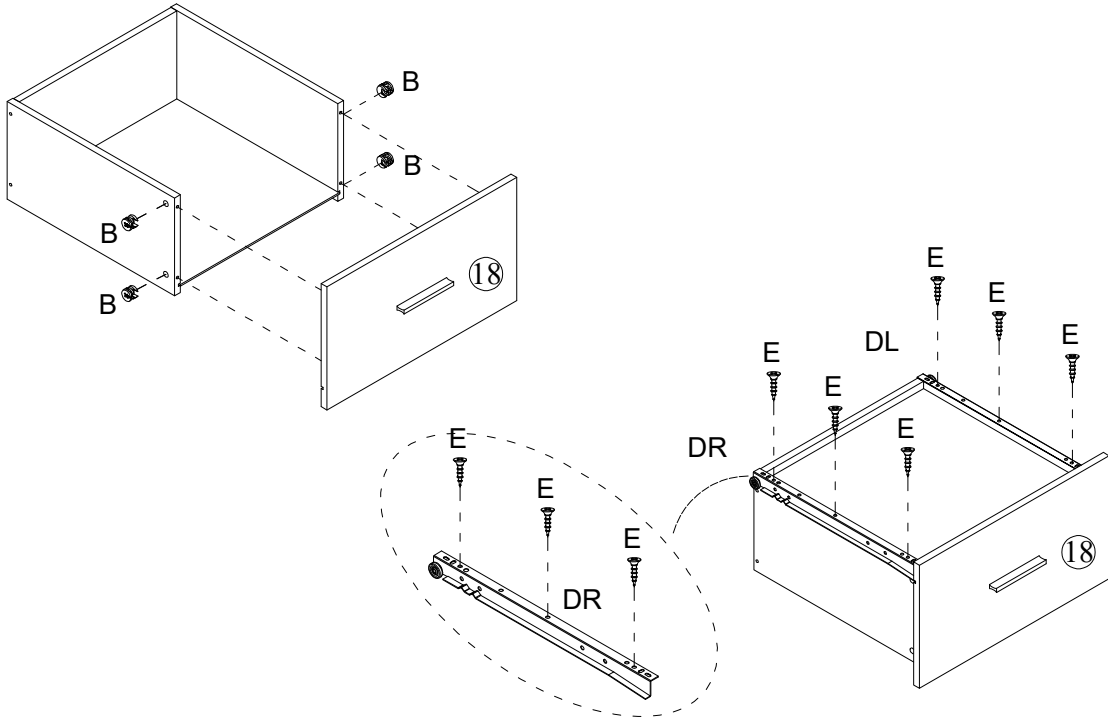
x3


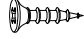
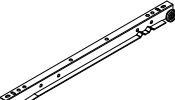
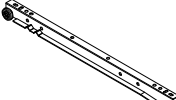


6

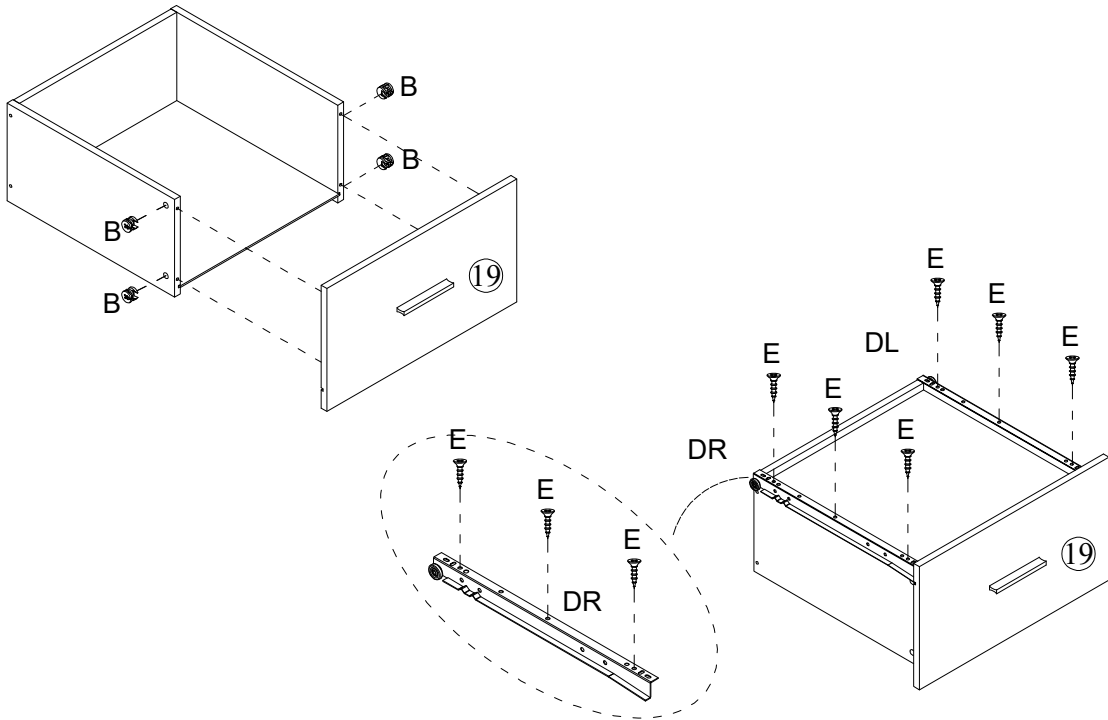



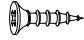
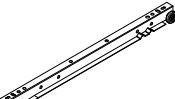
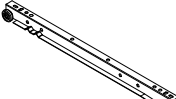
7



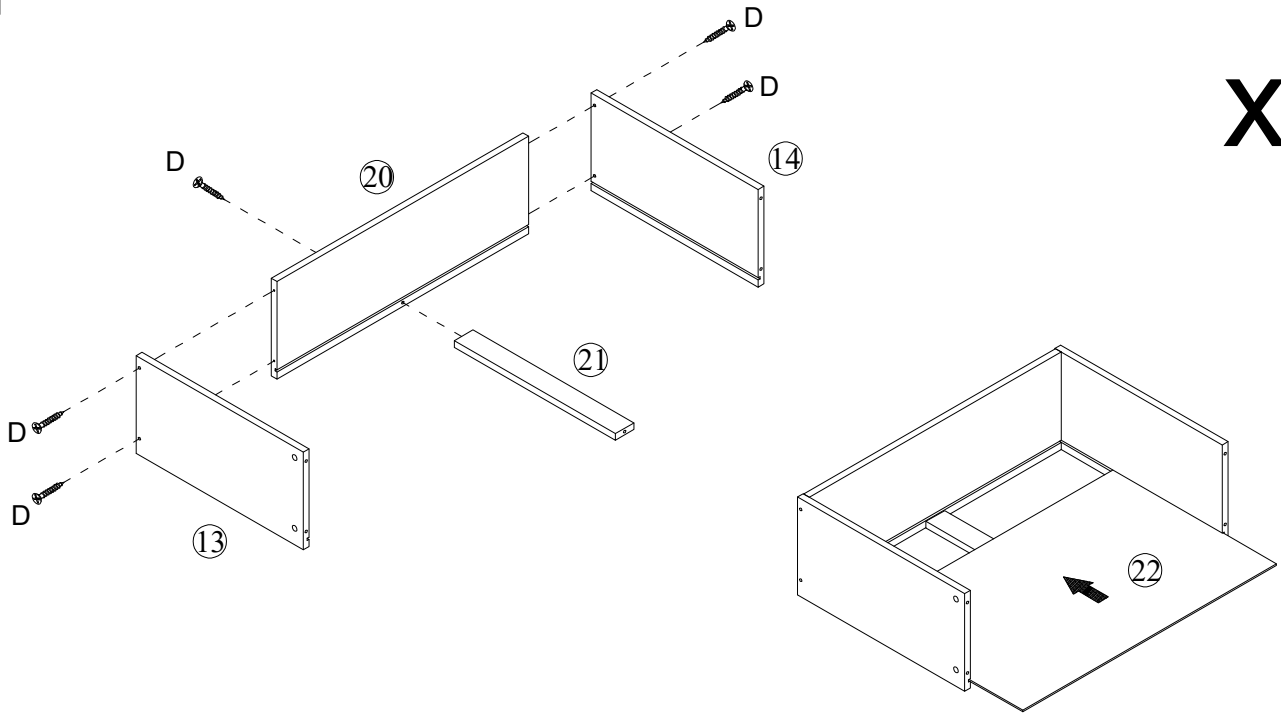
<p>B</p>  <p>x 4</p>	<p>E</p>  <p>x 6</p>	<p>DL</p>  <p>x 1</p>	<p>DR</p>  <p>x 1</p>
--	---	---	---

8

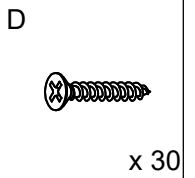


<p>B</p>  <p>x 4</p>	<p>E</p>  <p>x 6</p>	<p>DL</p>  <p>x 1</p>	<p>DR</p>  <p>x 1</p>
---	---	--	--

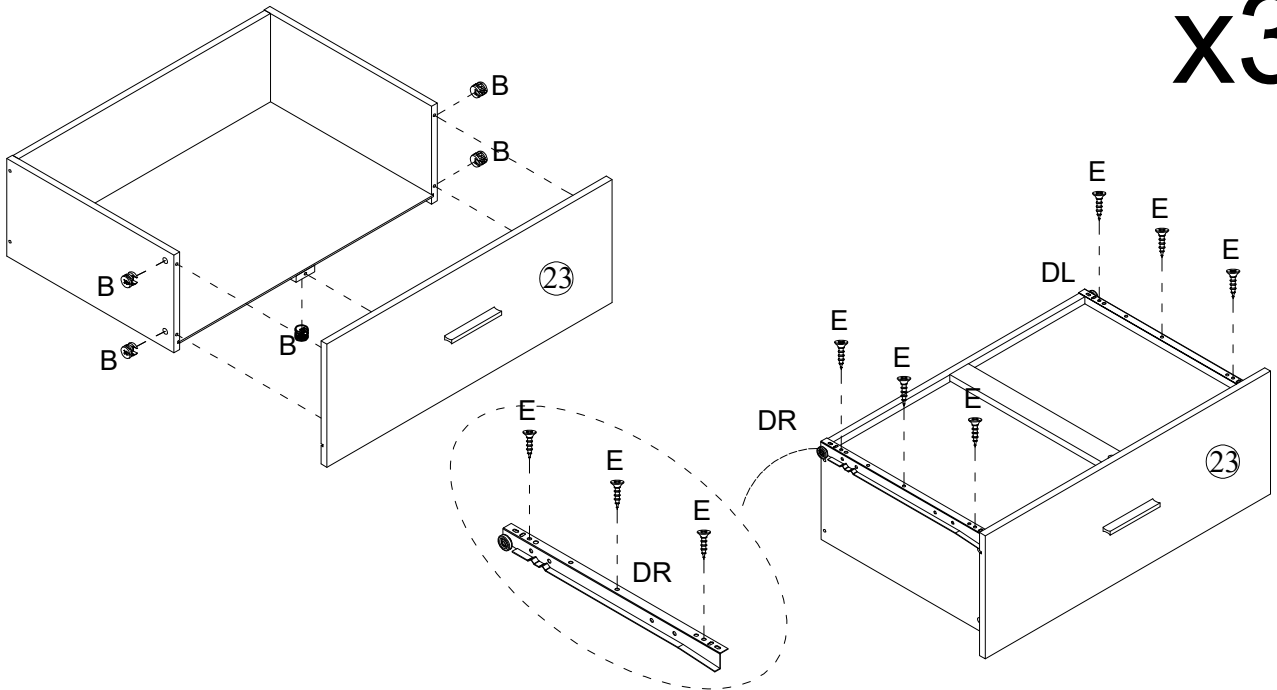
9



x6



10

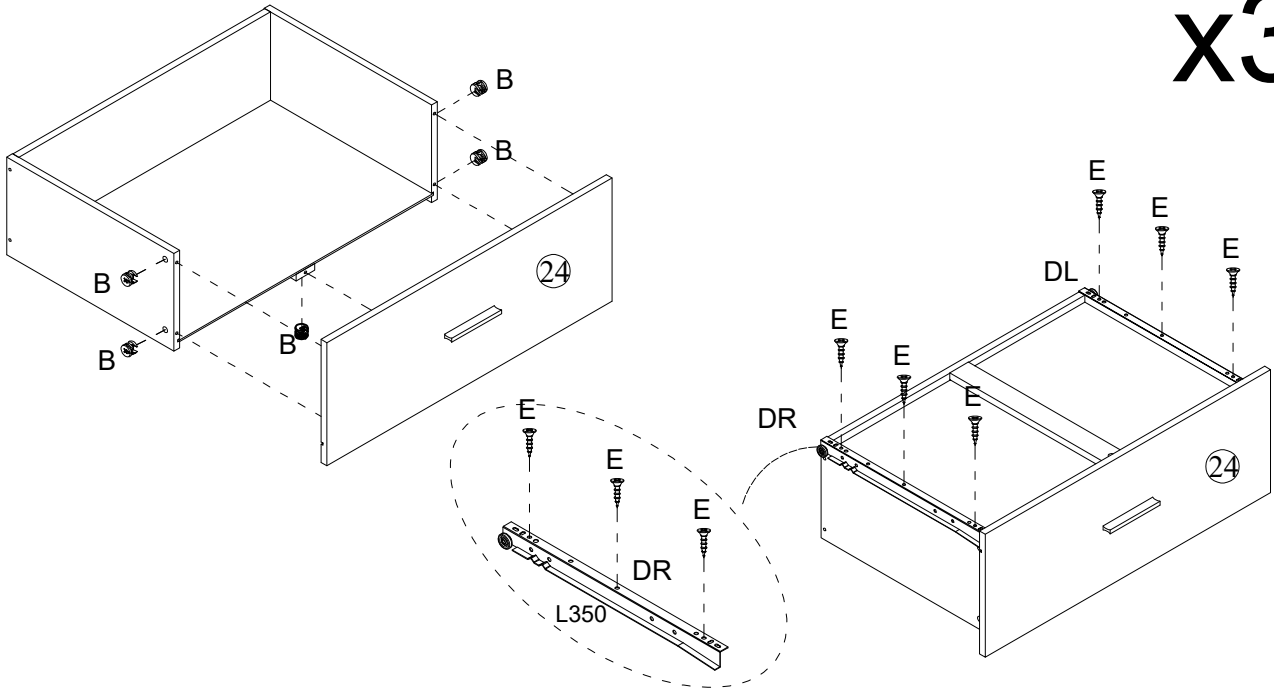



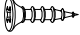
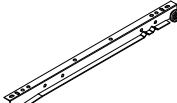
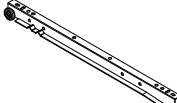
x3

<p>B</p> <p>x 15</p>	<p>E</p> <p>x 18</p>	<p>DL</p> <p>x 3</p>	<p>DR</p> <p>x 3</p>
----------------------	----------------------	----------------------	----------------------

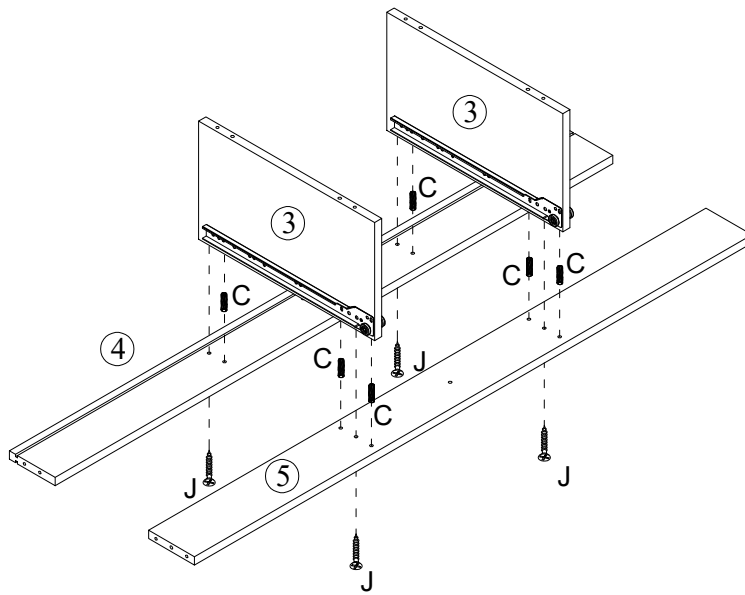
11


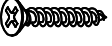
x3



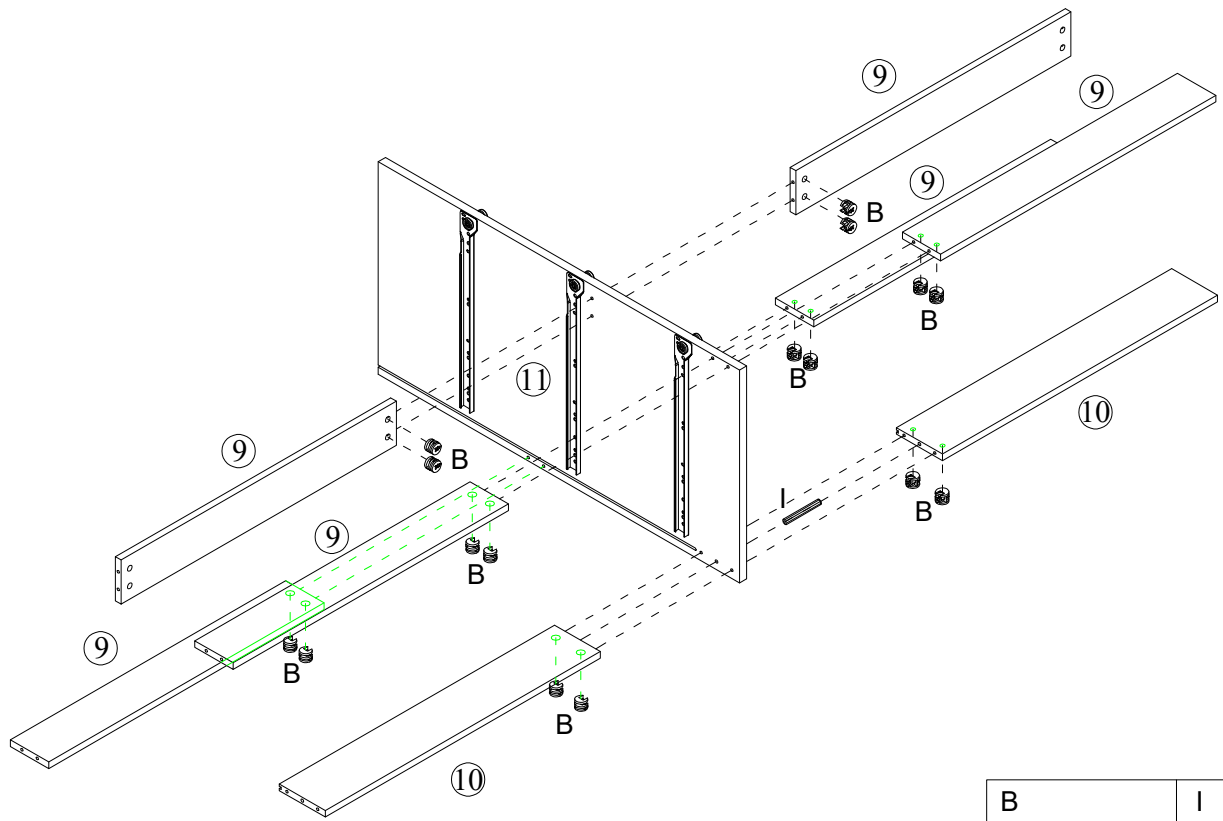
<p>B</p>  <p>x 15</p>	<p>E</p>  <p>x 18</p>	<p>DL</p>  <p>x 3</p>	<p>DR</p>  <p>x 3</p>
---	--	---	---



12



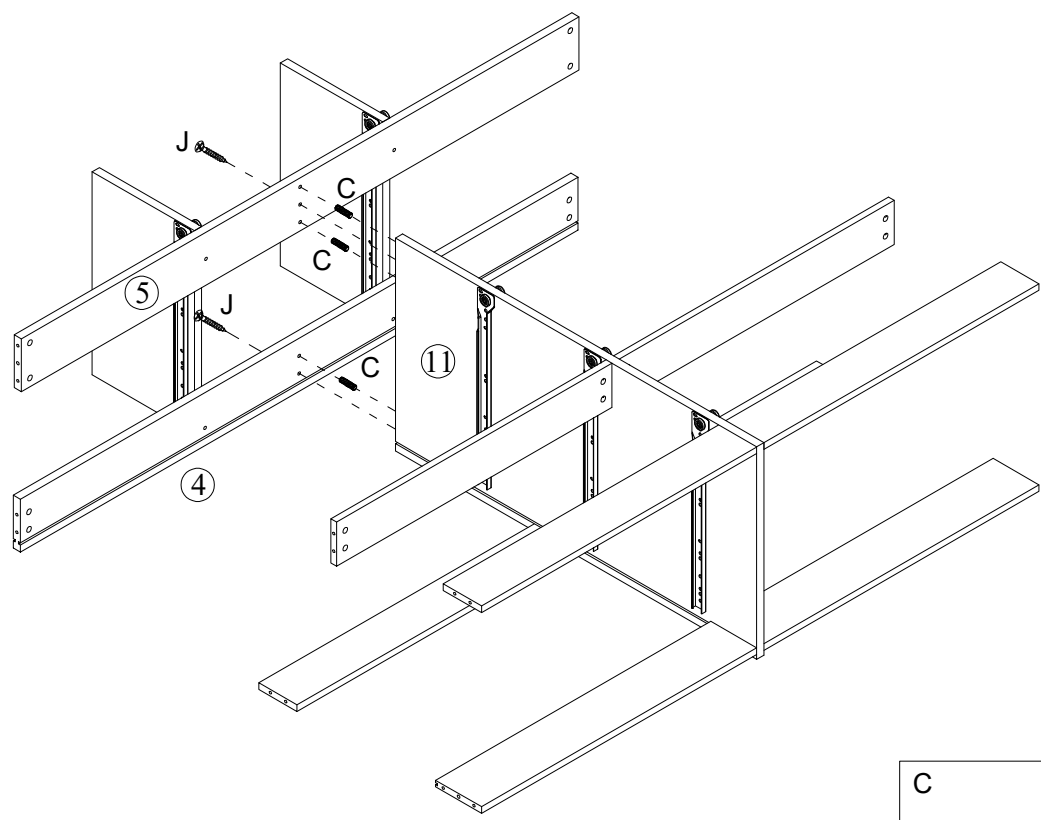
<p>C</p>  <p>x 6</p>	<p>J</p>  <p>x 4</p>
---	---



13



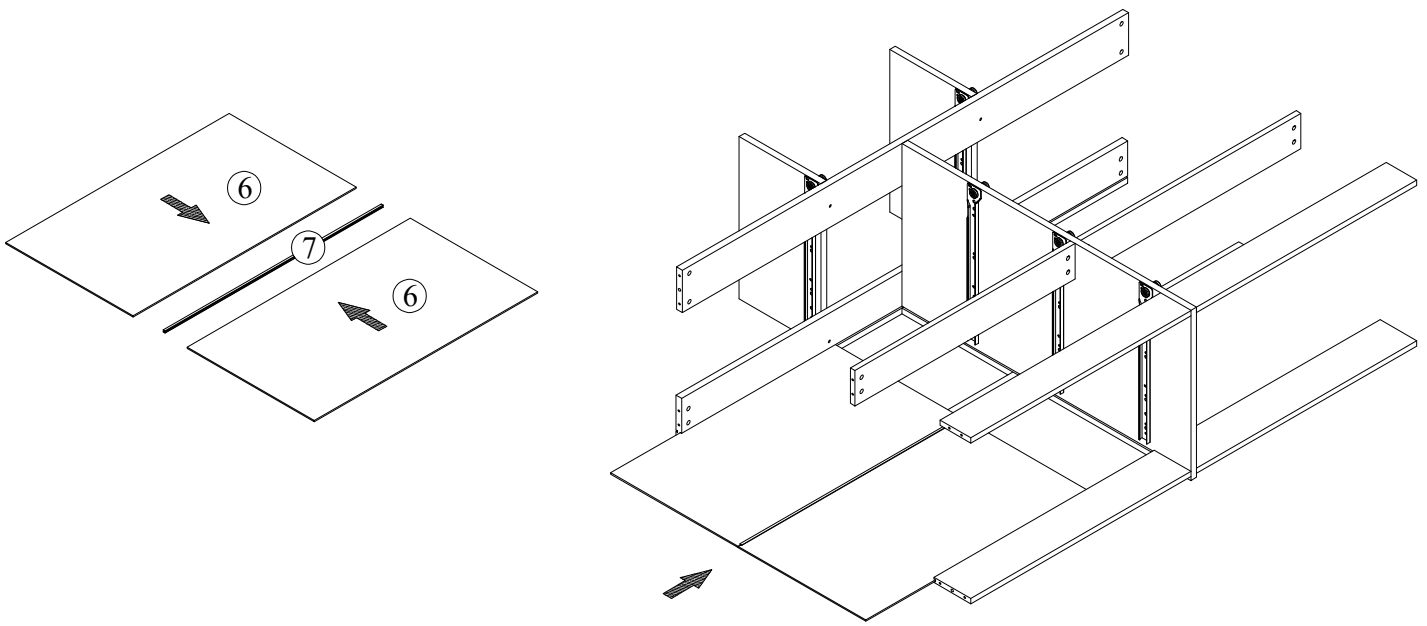
<b>B</b>  x 16	<b>I</b>  x 1
--	---

14

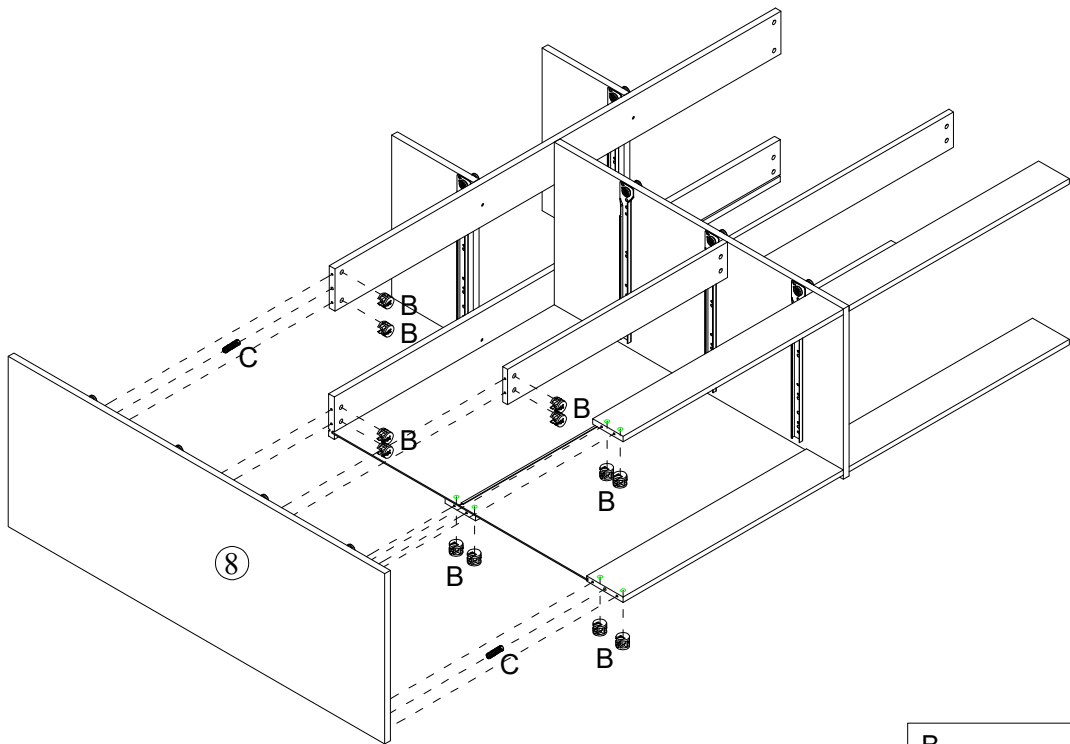



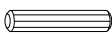
<b>C</b>  x 3	<b>J</b>  x 2
--	--

15

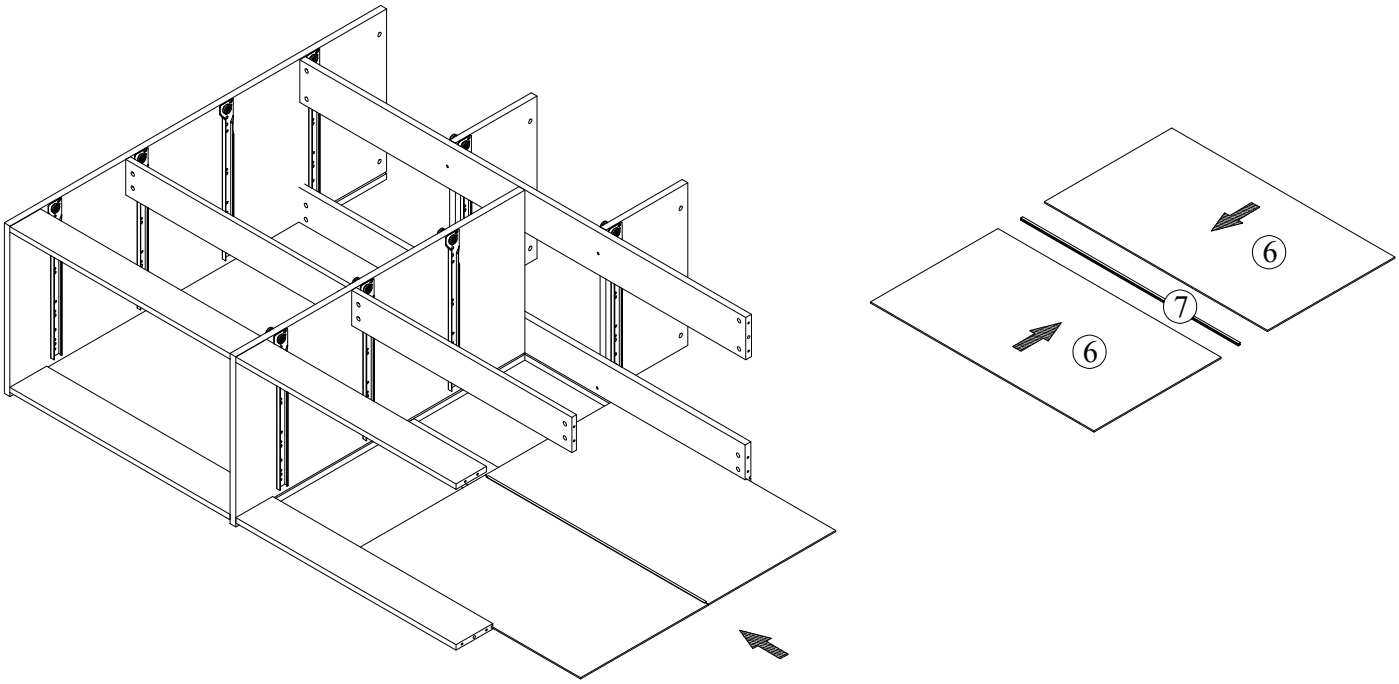


16

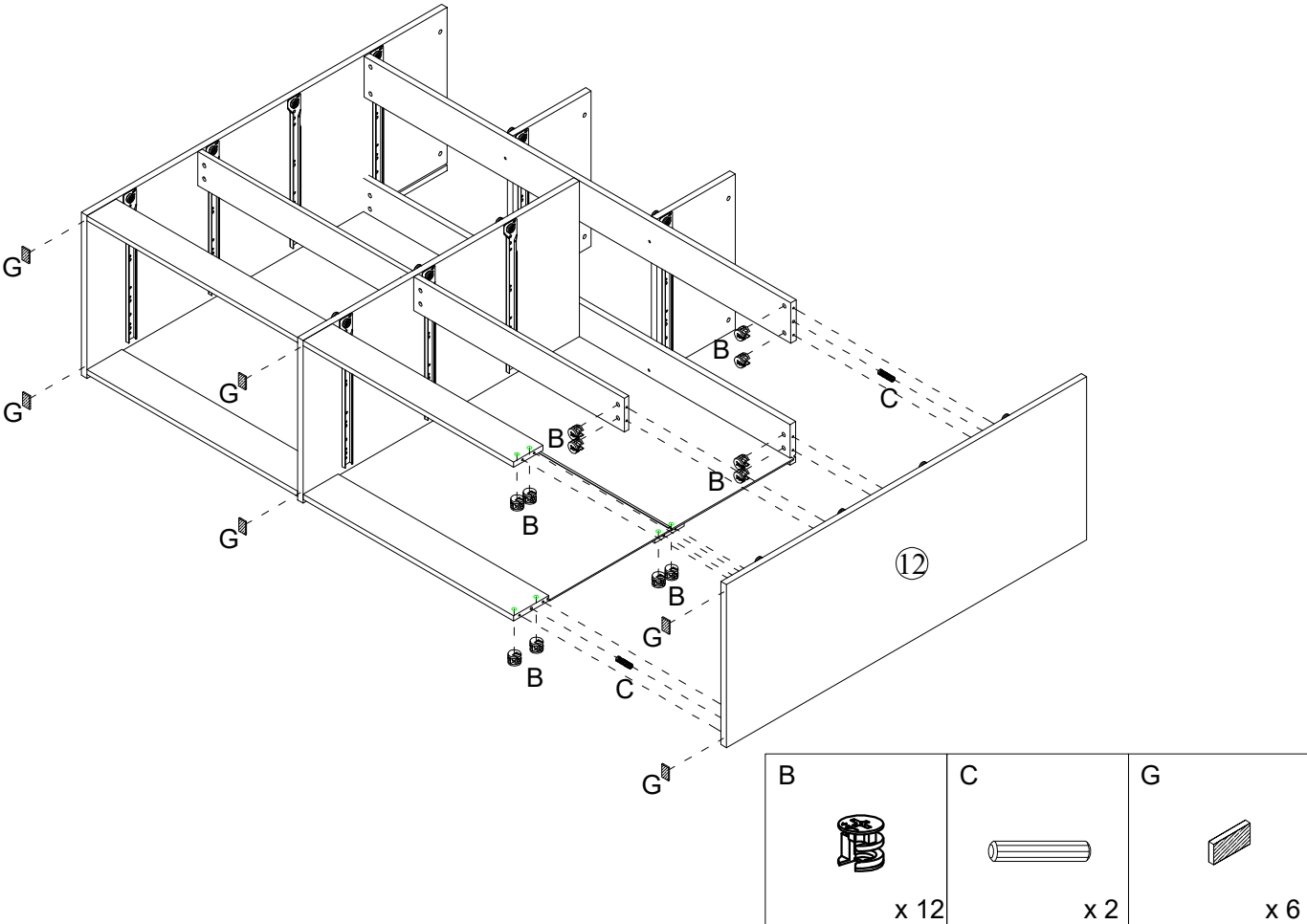


<p><b>B</b></p>  <p>x 12</p>	<p><b>C</b></p>  <p>x 2</p>
---	--

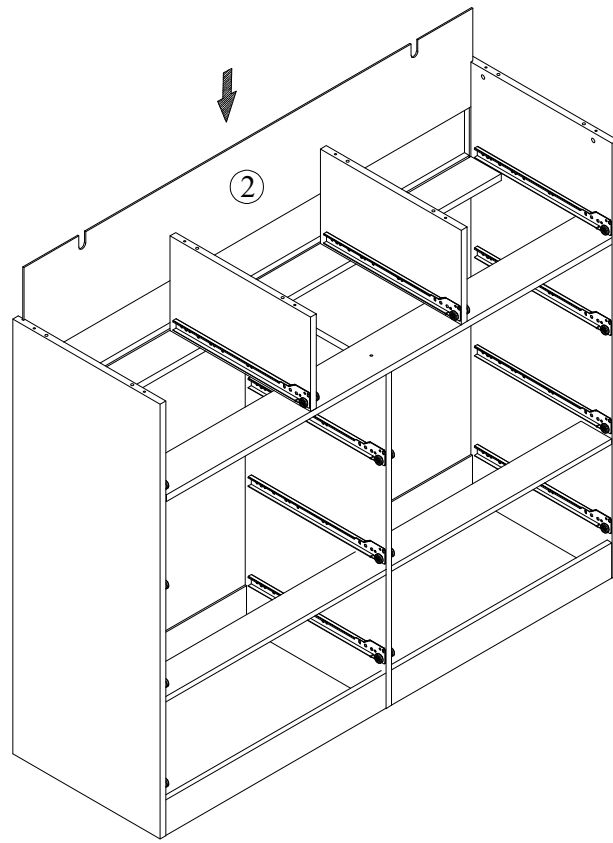
17



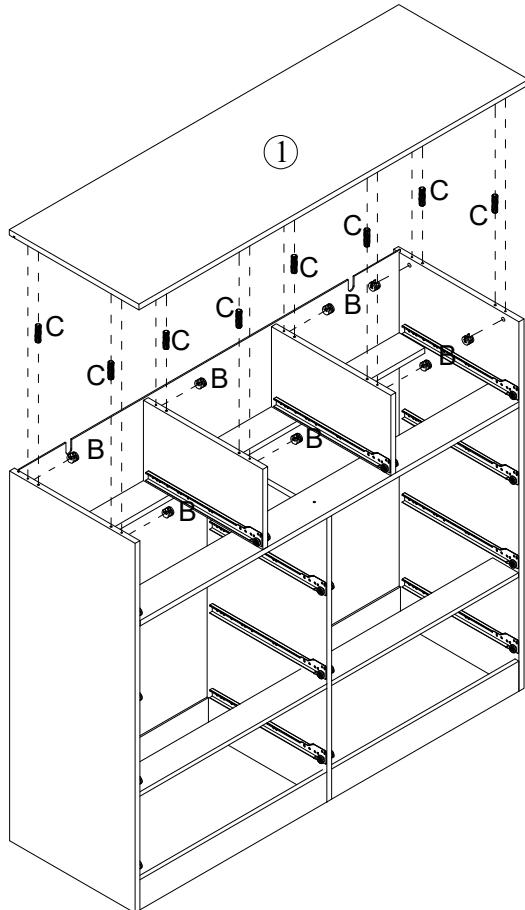
18





19

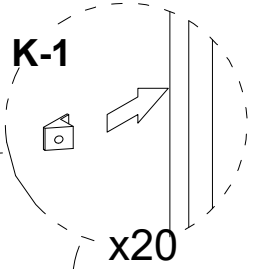
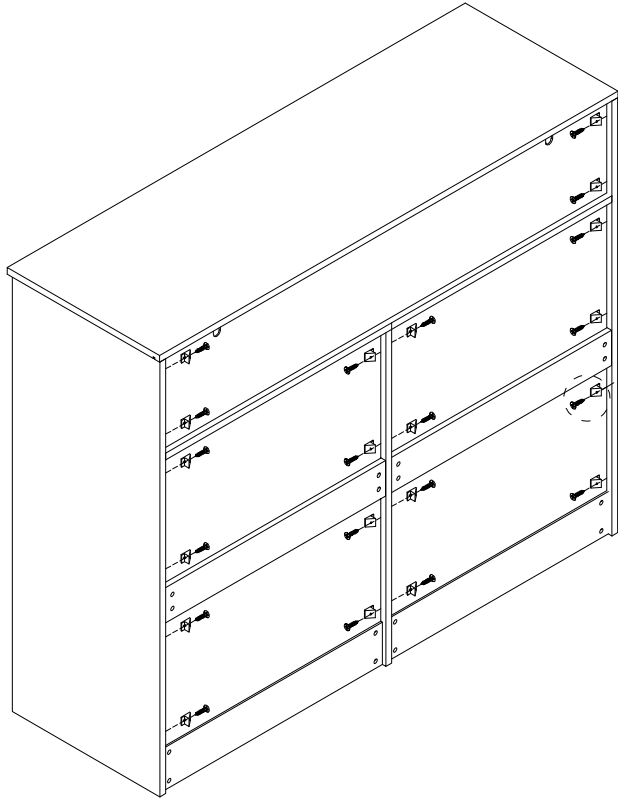


20

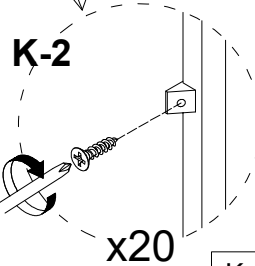


<p>B</p>  <p>x 8</p>	<p>C</p>  <p>x 8</p>
---	---

21





x20

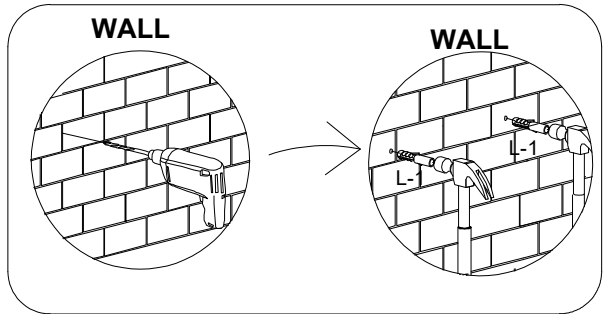
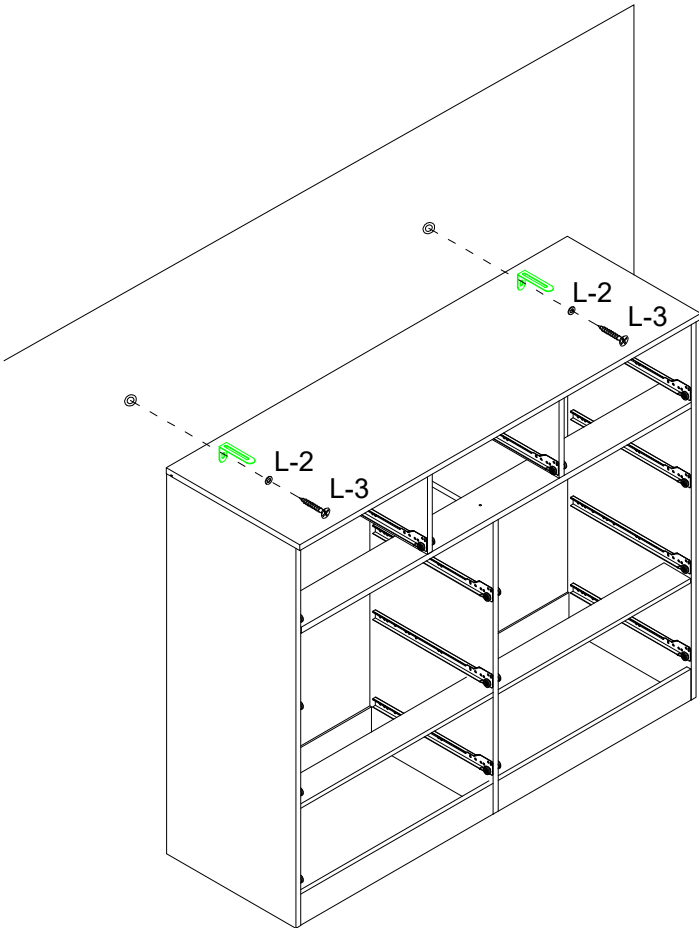


x20

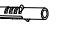


**K**

	
<b>K-1</b>	<b>K-2</b>
	<b>x 20</b>

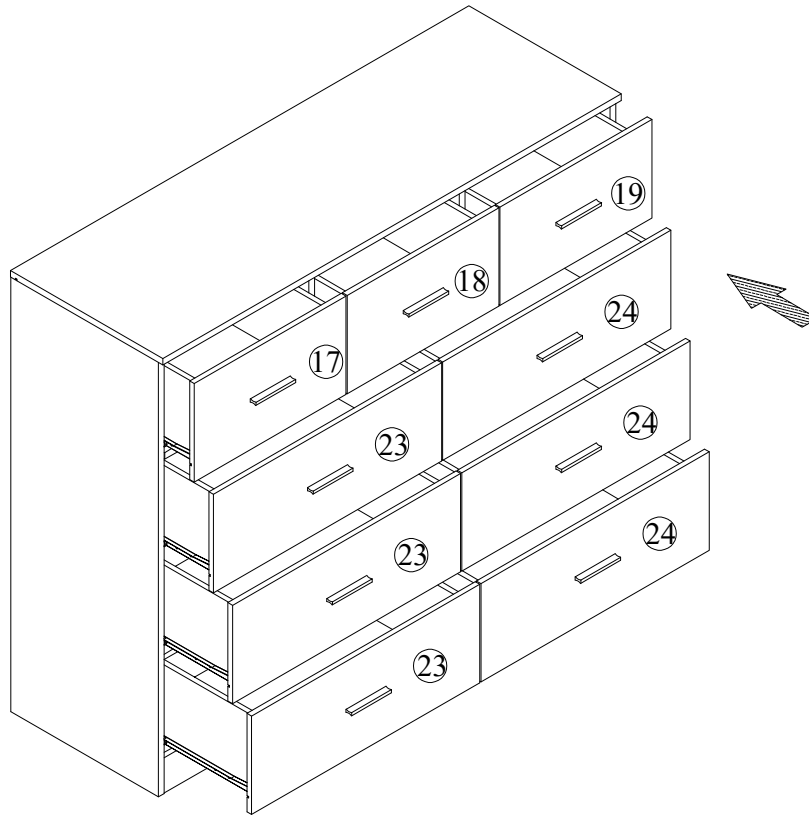
22



**L**

		
<b>L-1</b>	<b>L-2</b>	<b>L-3</b>
		<b>x 2</b>

23



24

