

Safety and Installation Instructions

LED Flush mount light

Edge lit LED fixture series

With Integrated Dimmable Driver



Thank you for purchasing our product. This fixture has been manufactured from components with advanced optoelectronics to ensure high reliability and long life. Before assembling please read this Operation Manual carefully and save in a safe place for future reference. Please note that all electrical connections must be in accordance with local and National Electrical Code standards as well as local building codes. In case you are not familiar with proper wiring connections and building codes, consult a qualified electrician.

1. RISK OF ELECTRIC SHOCK – THIS PRODUCT MUST BE INSTALLED IN ACCORDANCE WITH APPLICABLE INSTALLATION CODES BY A PERSON FAMILIAR WITH MENTIONED ABOVE CODES AND HAZARDS INVOLVED. DISCONNECT POWER AT CIRCUIT BREAKER OR FUSE BEFORE INSTALLING OR SERVICING.
2. BEFORE USE OF THE PRODUCT CAREFULLY READ THE WHOLE INSTALLATION INSTRUCTIONS.
3. THE PRODUCT IS SUITABLE FOR BOTH: DAMP AND WET LOCATIONS.
4. ASSEMBLE THE PRODUCT ONLY WITH THE USE OF PARTS PROVIDED AND THE HOUSING;
5. IMPROPER ASSEMBLY MAY RESULT IN DEVICE FAILING WHICH COULD DAMAGE THE PRODUCT, PERSONAL PROPERTY OR CAUSE INJURY.
6. ASSEMBLY SHALL FOLLOW WITH ACCESSORIES DELIVERED WITH THE SET ONLY. THE DEVICE IS NOT A TOY, KEEP OUT OF REACH OF CHILDREN.

Specifications:

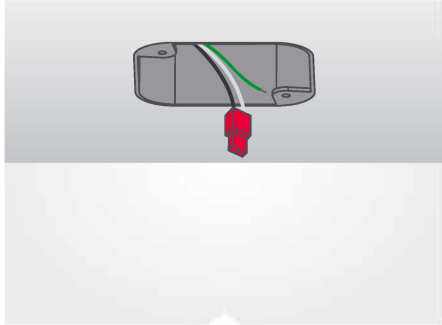
Flush Mount Light

Operating Voltage: 120V

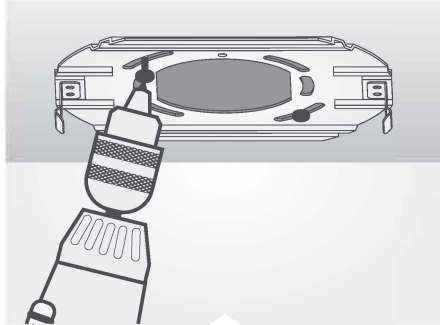
Dimming: LED rated Controls

Power consumption: 10.5W/13.5W/18.5W

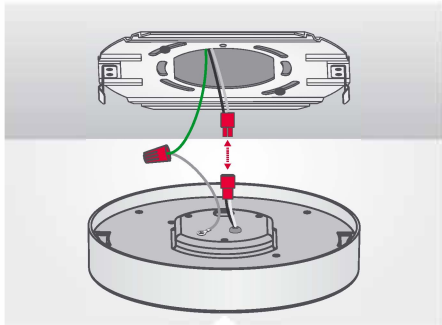




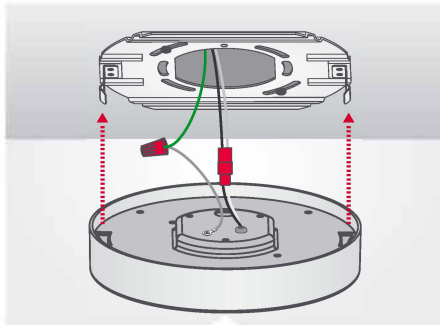
STEP 1: Turn-off / disconnect power at circuit breaker. Attach connector (provided) to AC cable from junction box: L side to Black side wire. N side to White AC wire.



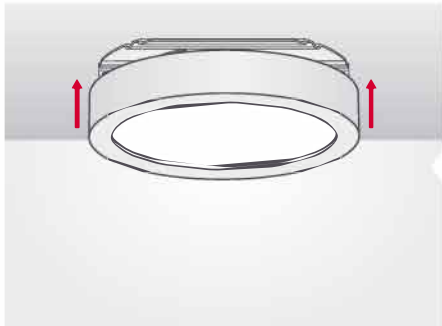
STEP 2: Attach the bracket to junction box using 2 screws (provided). Pull the AC cable with connector through the bracket center hole.



STEP 3: Make ground connection. Next simply "snap" the two sides of the orange wire connector together.



STEP 4: Carefully push connections back into the J-Box. Align the two clips and driver on the fixture body to the opening of the J-Box Mounting bracket.



STEP 5: Push and feed all wires up into junction box as you raise the fixture into place. Push to lock the fixture in place. For wet location usage, please caulk the edge of fixture with glue to ceiling.



Installed-Congratulations...
Enjoy the light!

Dimming

This product is compatible with most LED rated type dimmers available on the market. The dimming performance will depend on kind of dimmer and dimmer settings.

Cleaning

- Clean with a soft or damp cloth. While cleaning with the damp cloth make sure the power is off.
- Do not clean with abrasives.

5 Year limited warranty

The purchased product is covered with a 5 year warranty in respect of any defect in material or workmanship after purchase date.

We shall bear no responsibility on account of guarantee, as well as shall bear no liability for any faults, in case of improper operation, use negligence, accident or exposure to natural hazard, or excessive use over the limits specified for the unit, or if any unauthorized alteration or repair followed.