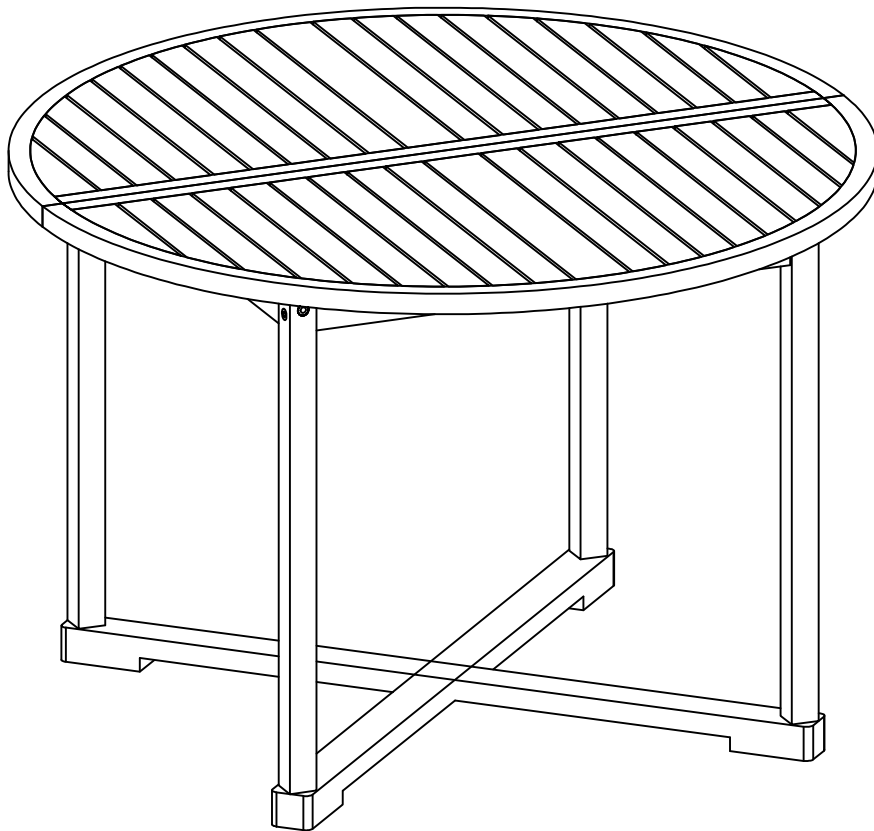


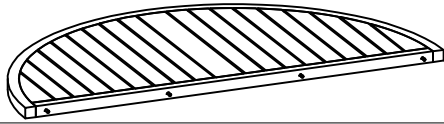
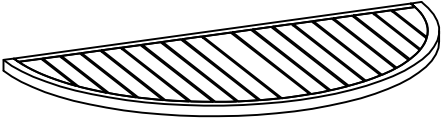


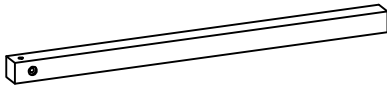
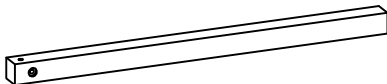
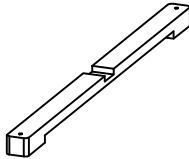
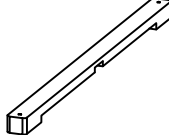
Please look into the Table for hardware packs.

Round Table



Caution: This Chair is NOT a TOY
Keep your child/children at bay during the assembly process.
Whenever lifting or moving the Chair and to prevent damage to the Chair,
two adults may be needed to execute these action.

Part List

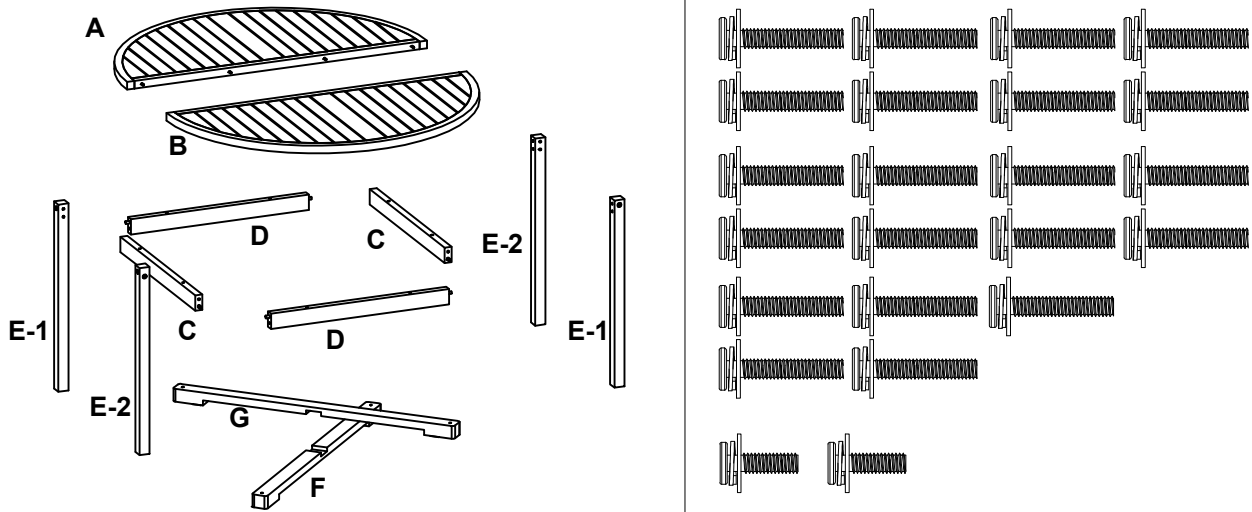
Label	Picture	Description	Qty
A		Table Top	1pc
B		Table Top	1pc
C		Aprons	2pcs
D		Aprons	2pcs
E-1		Legs	2pcs
E-2		Legs	2pcs
F		Support Leg Frame - lower	1pc
G		Support Leg Frame - high	1pc

Hardware

Label	Picture	Description	Qty
①		Bolt 1/4" x 50mm	20pcs + 1 extra
②		Lock Washer Ø8 x 13mm	21pcs + 1 extra
③		Flat Washer Ø8 x 16 x 2mm	21pcs + 1 extra
④		Bolt 1/4" x 20mm	1pc + 1 extra
⑤		Allen Key	1pc

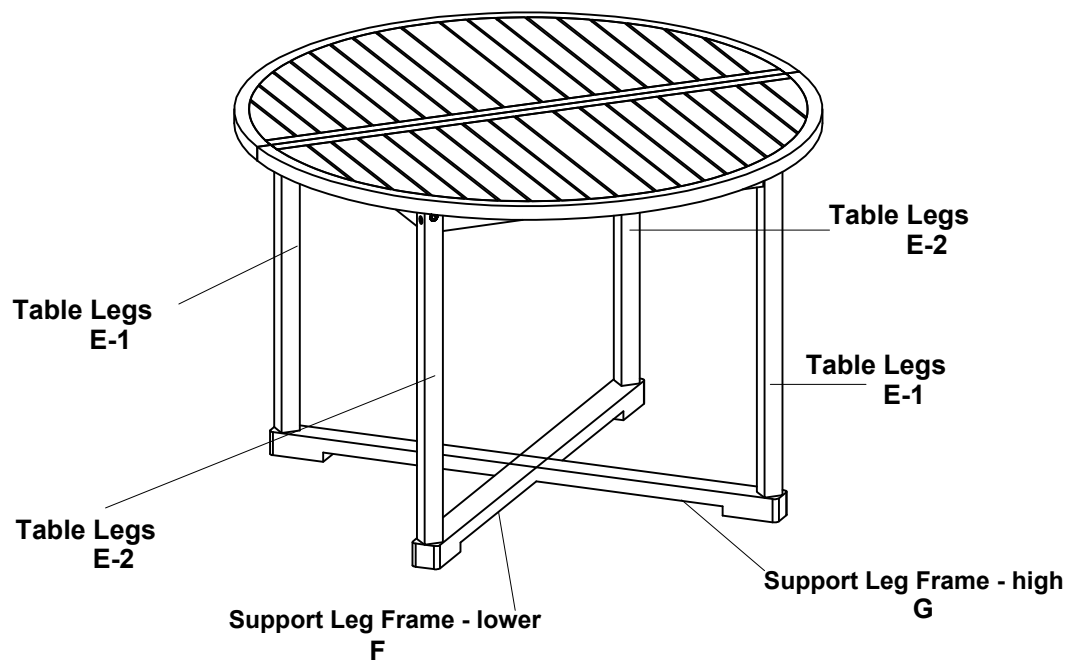
Assembly Preparation

Before Beginning Assembly:



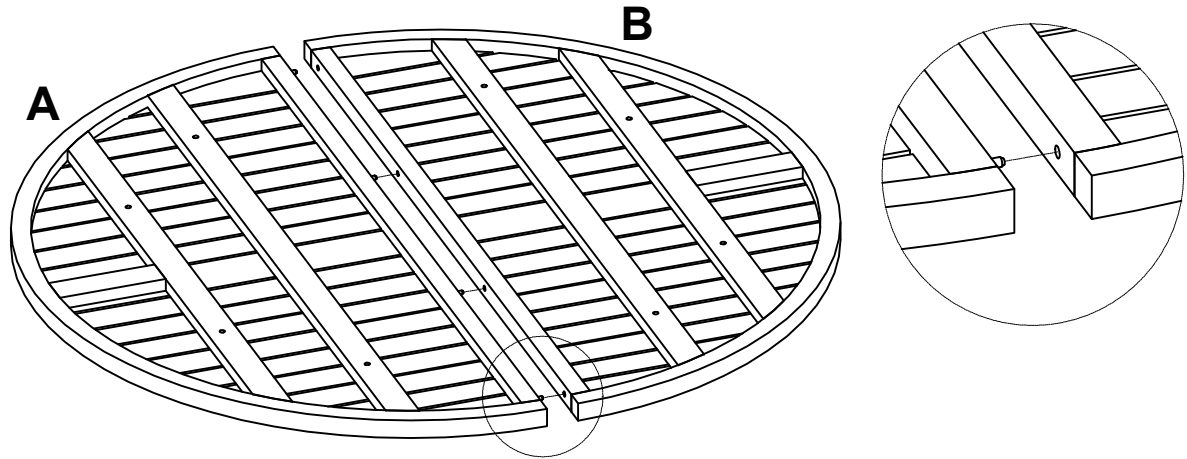
Assembly Steps

Overview

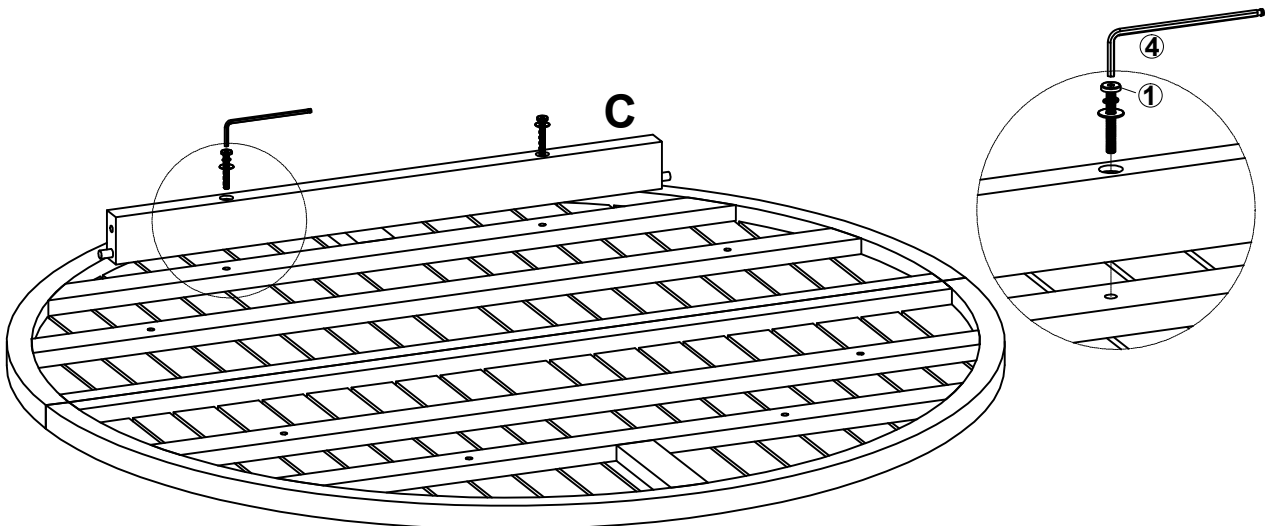


This Table has multiple parts and may require up to 30 minutes to assemble. To give you an overview of the Table parts, the above picture is to help you put the various parts into perspective. Please read through the instruction below to familiarise yourself with the parts and steps before assembly.

Step 1

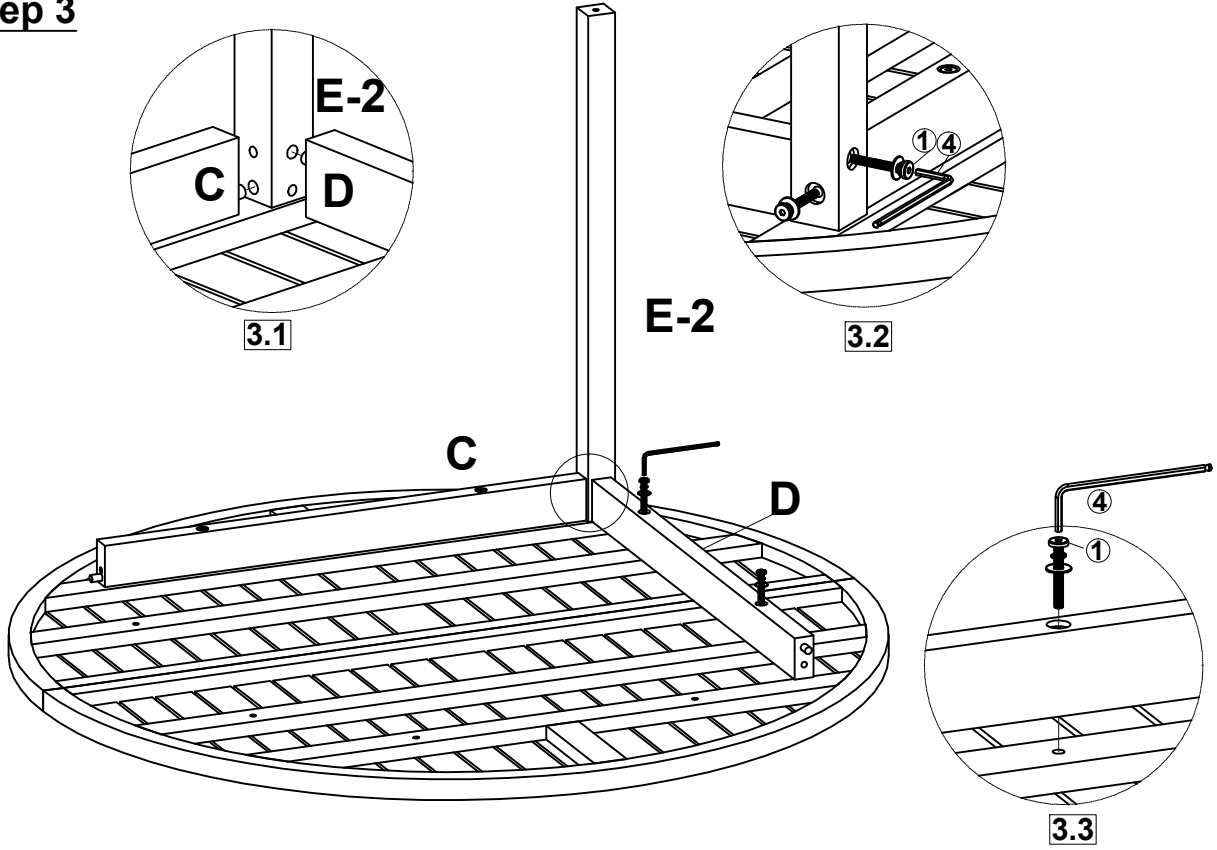


Step 2



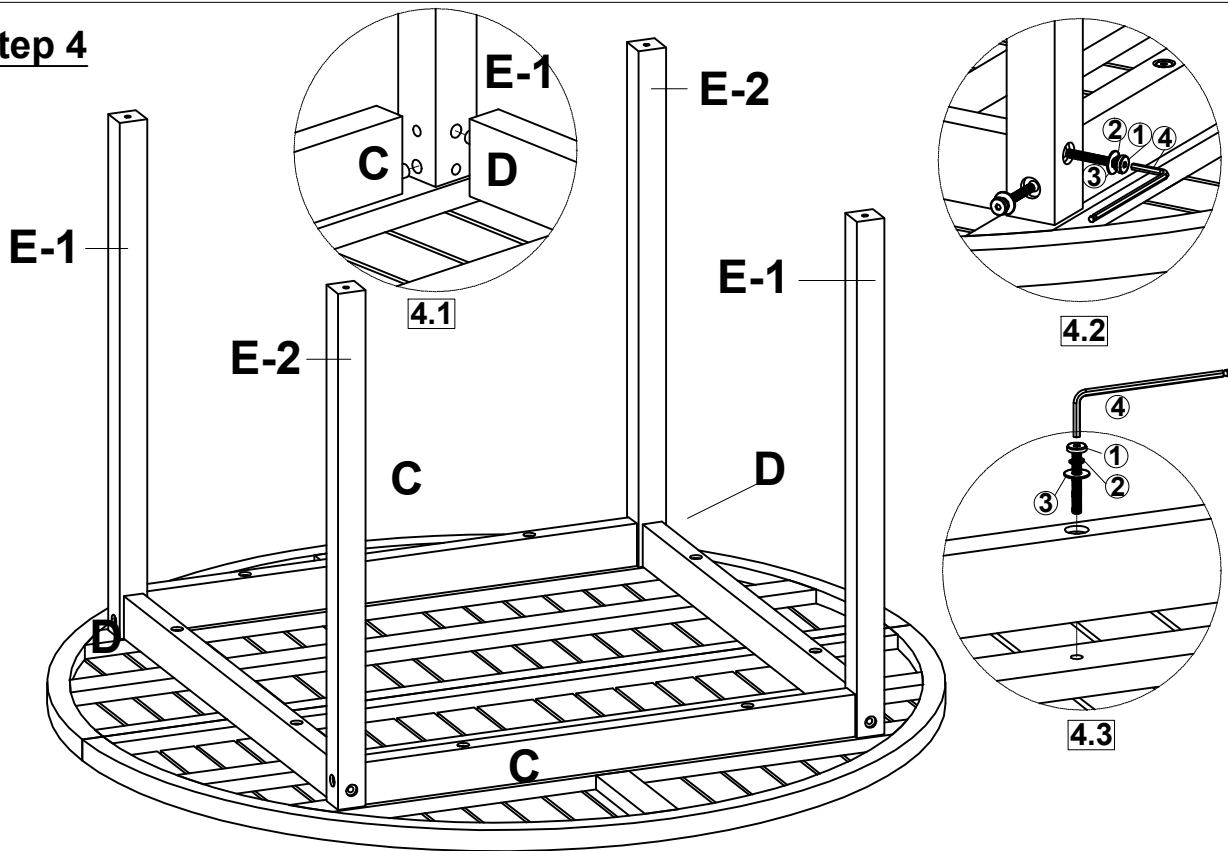
Do not fully tighten the Bolts

Step 3



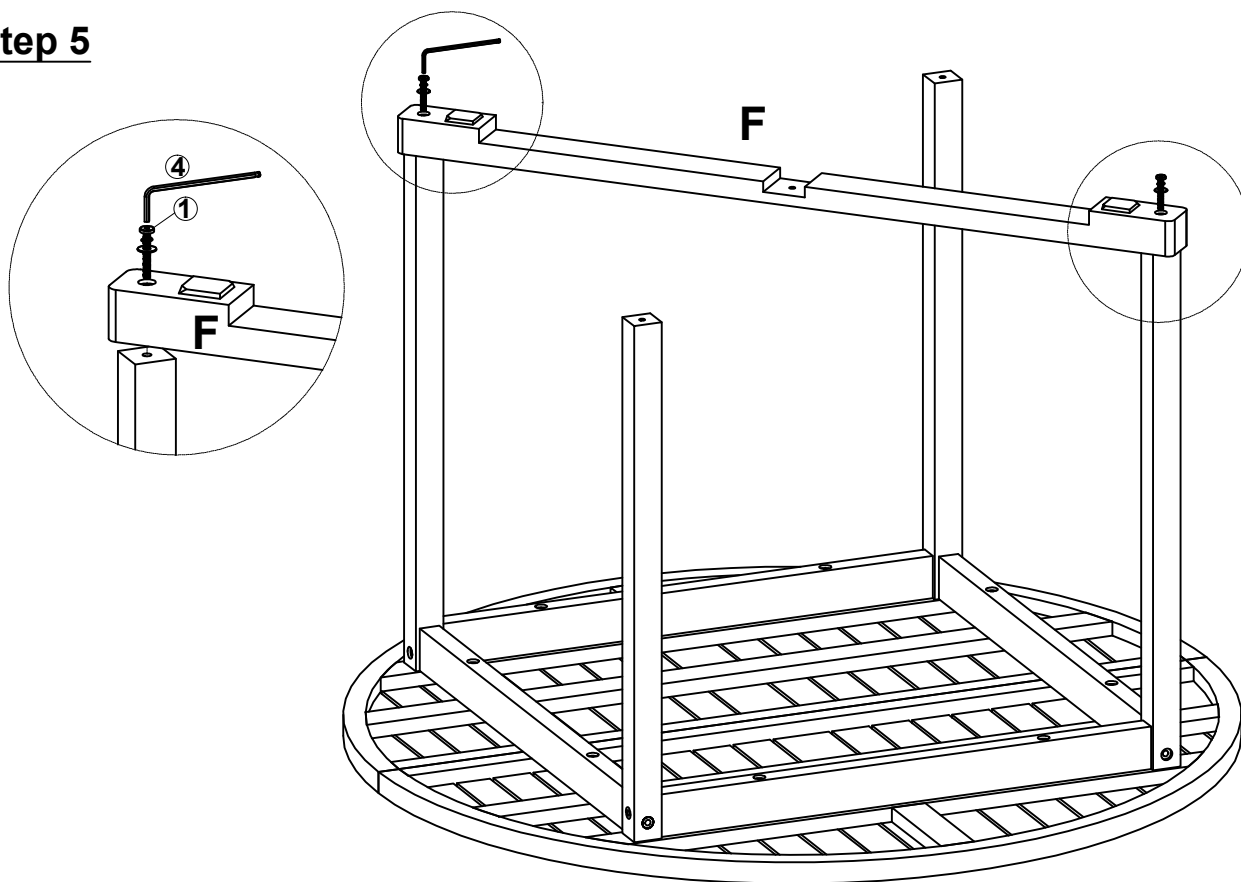
Do not fully tighten the Bolts

Step 4



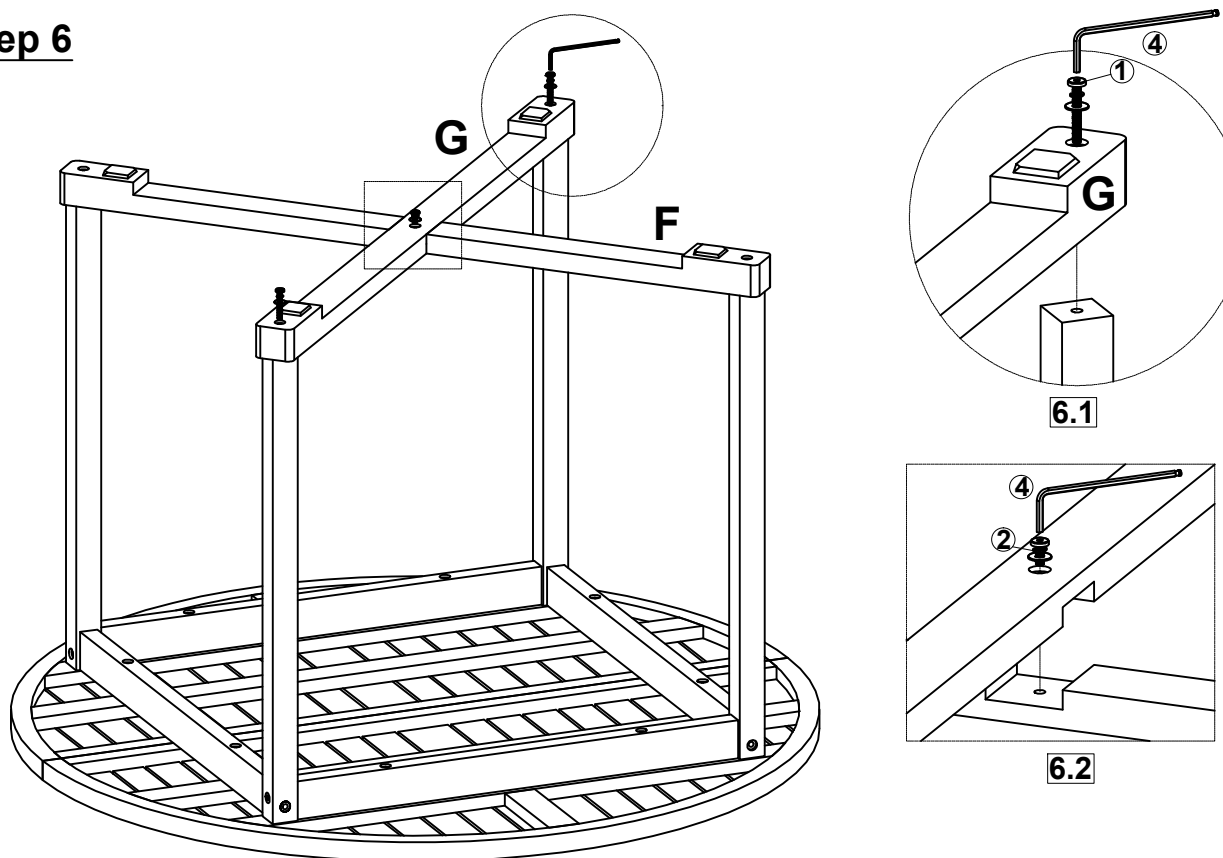
Do not fully tighten the Bolts

Step 5



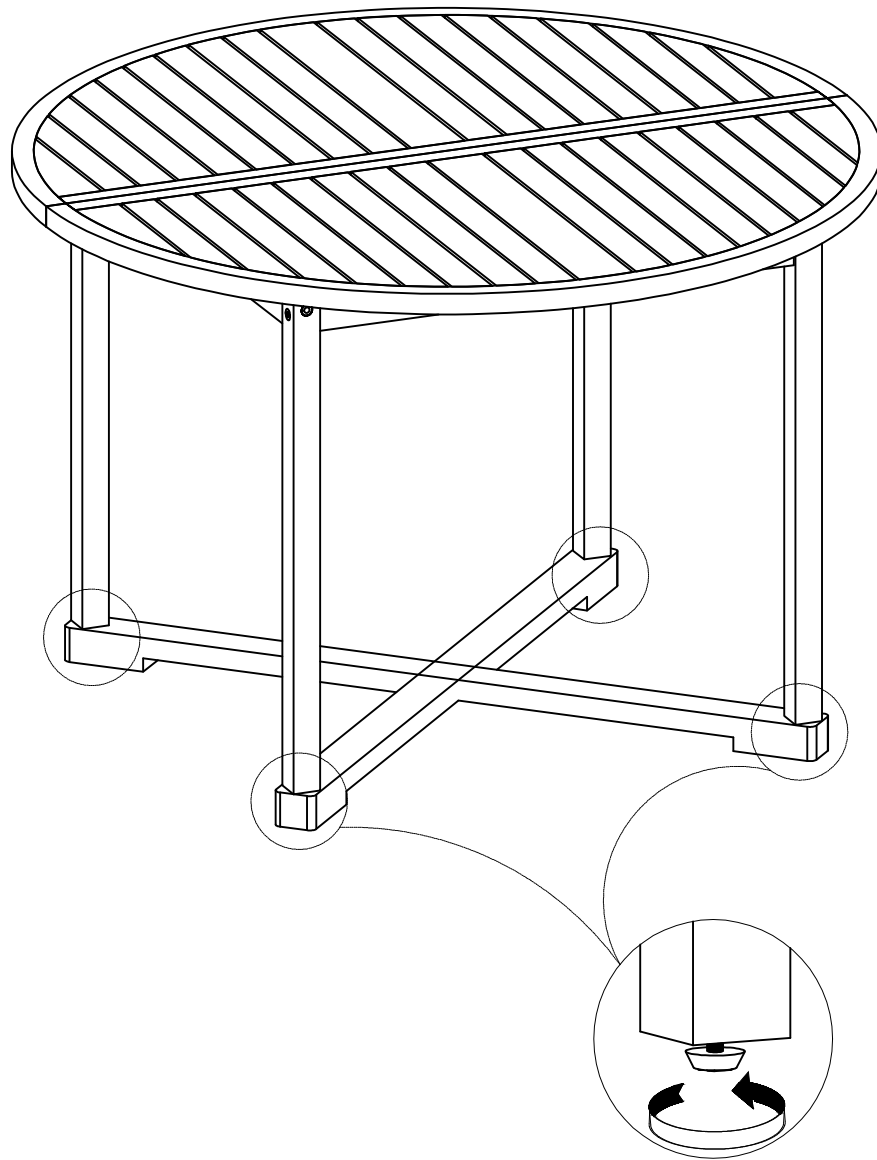
Do not fully tighten the Bolts

Step 6



Tighten the Bolts

Step 8



Adjustable floor leveler

Step 9

