
OPERATIONS MANUAL



Assembly & Installation Instructions

Dear Customer:
 Thank you for your business!
 If you have any questions or problems, please send us an email to . We will do everything possible to make

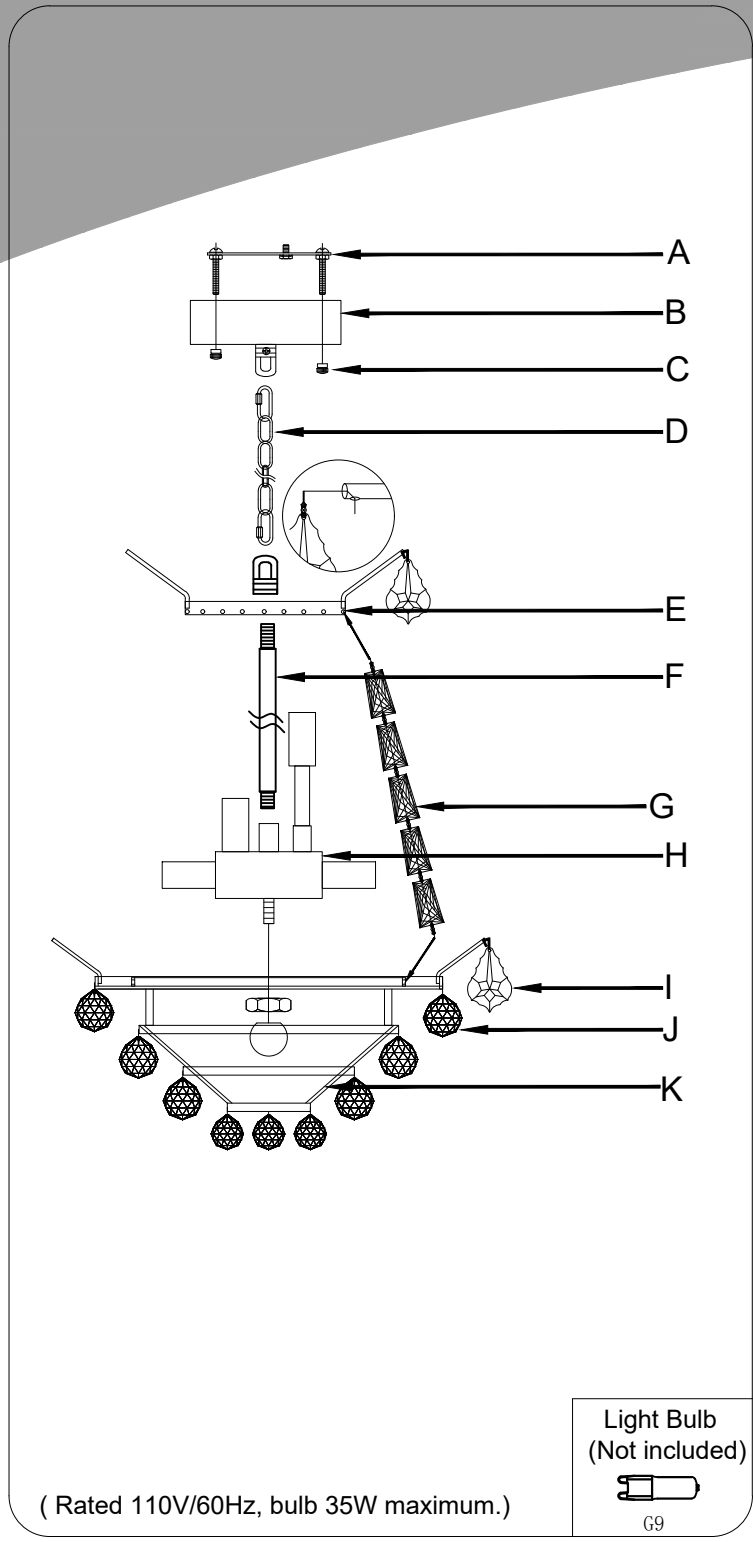
you completely satisfied with your purchase.
For video instruction, please search

Product reviews help future customers to make their purchase decision. You are encouraged to share your experience by leaving a short product review on the platform where you bought this product.
 Thank you!
 4ModernHome

Warning: If any special control devices are used with this fixture, follow the instructions carefully to assure full compliance with N.E.C.requirements. If there are any questions, contact a qualified electric contractor.

Warning: California Residents Proposition 65 This product contains lead, a chemical known to the state of California to cause cancer and birth defects or other reproductive harm. Do not place the product in your mouth. Wash your hands after handling this product.

Caution: It is highly recommended to get an electrician to install this light. Please make sure to turn the electricity off at the main circuit breaker before beginning installation. All glass is fragile. Use care when handling glass component(s) and/or lamp(s).



WIRE CONNECTION DIAGRAM

Wires meeting safety standards are required to connect the electrical circuit.

CAUTION: Risk of fire

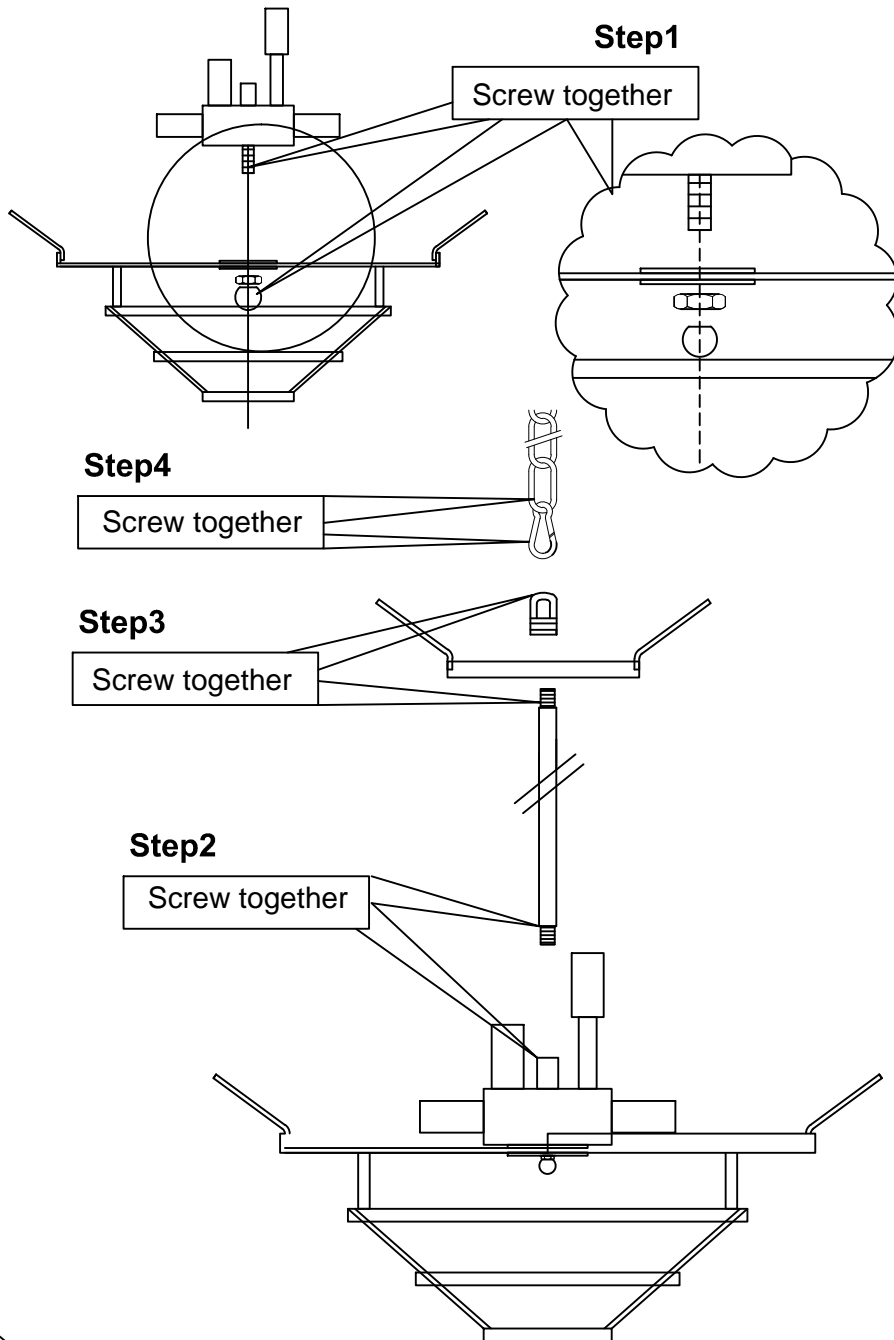


Please read all instructions carefully. Before you proceed to install, make sure that the power supply is turned off and remains off until installation is completed.

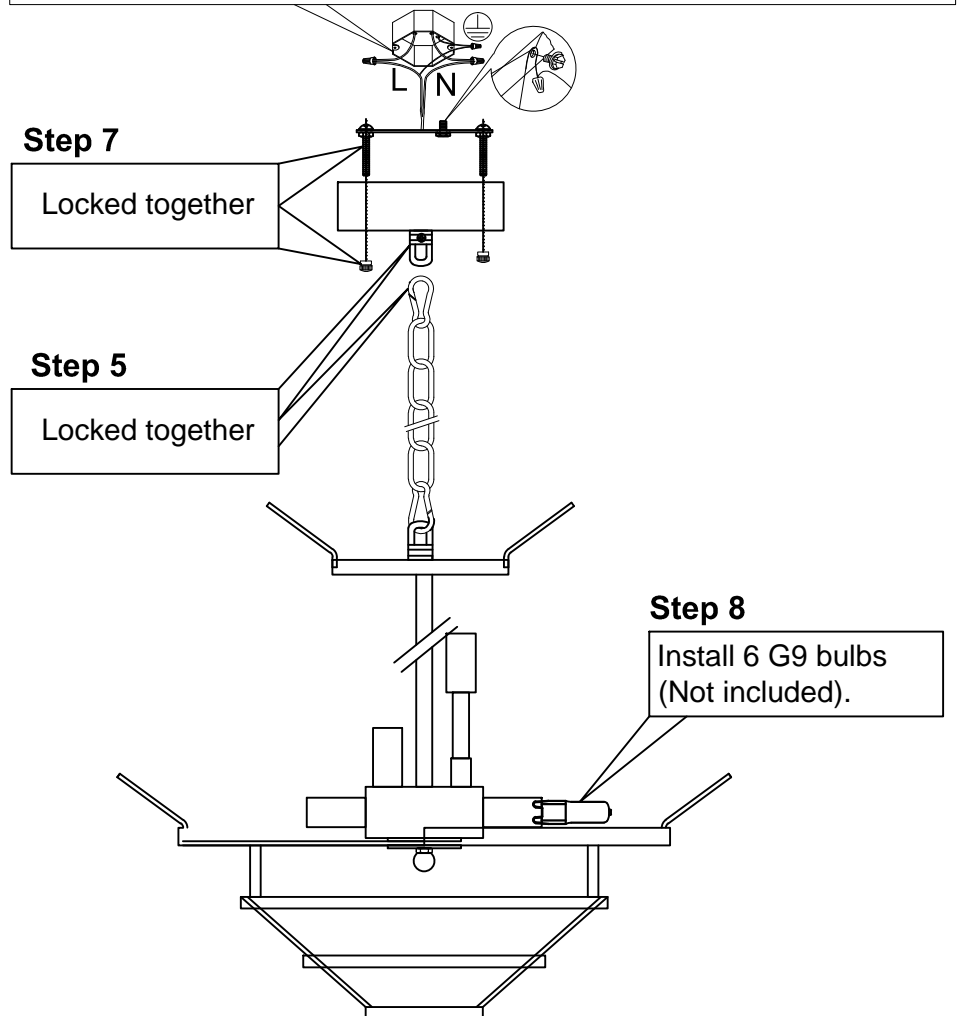
PARTS INCLUDED

Code	Part Description	QTY
A	Mounting Bracket	1
B	Canopy	1
C	Cover Nut	2
D	Sling Chain	1
E	Round Iron Circle	1
F	Central Rod	1
G	Crystal String	90
H	Lamp Body	1
I	Maple Leaf Crystal Pin	43
J	Crystal Ball	51
K	Circular Iron Sheet	1

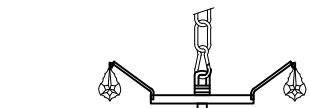
Assembly and Installation Steps



Step 6
6A. Lock the crossbar to the junction box of the ceiling by using 2 pcs of 5/32 screws in the accessories bag.
6B. Connect the wires. The hot/positive wire (+) has an "L" label on it. The other one is the negative wire (-). And the bare cooper is the ground wire.
6C. Attach the canopy to the ceiling with screws

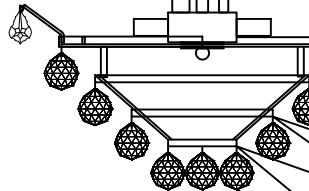
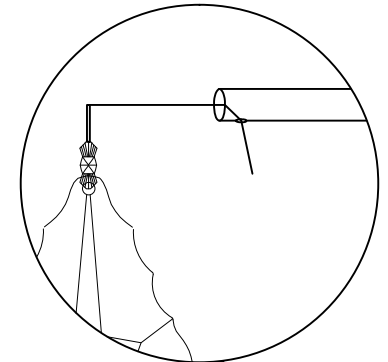


Assembly and Installation Steps



Step 9

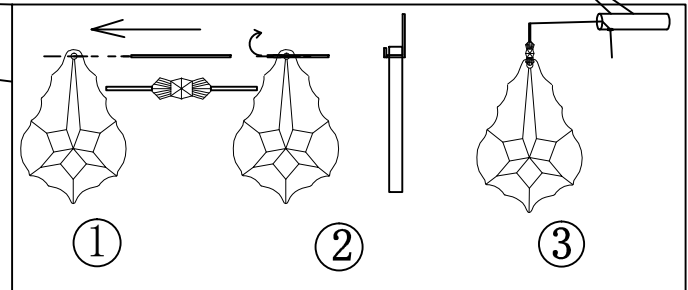
Hang the Maple Crystal from the metal ring Keyhole.



Step 10

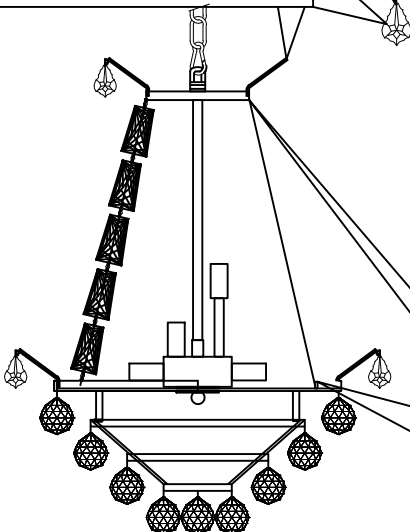
Hang the Crystal Ball from the metal ring Keyhole.

The steps of hanging crystals.



Step 12

Hang the Maple Crystal from the metal ring Keyhole.



Step 11

Hang the Crystal string from the metal ring Keyhole.

