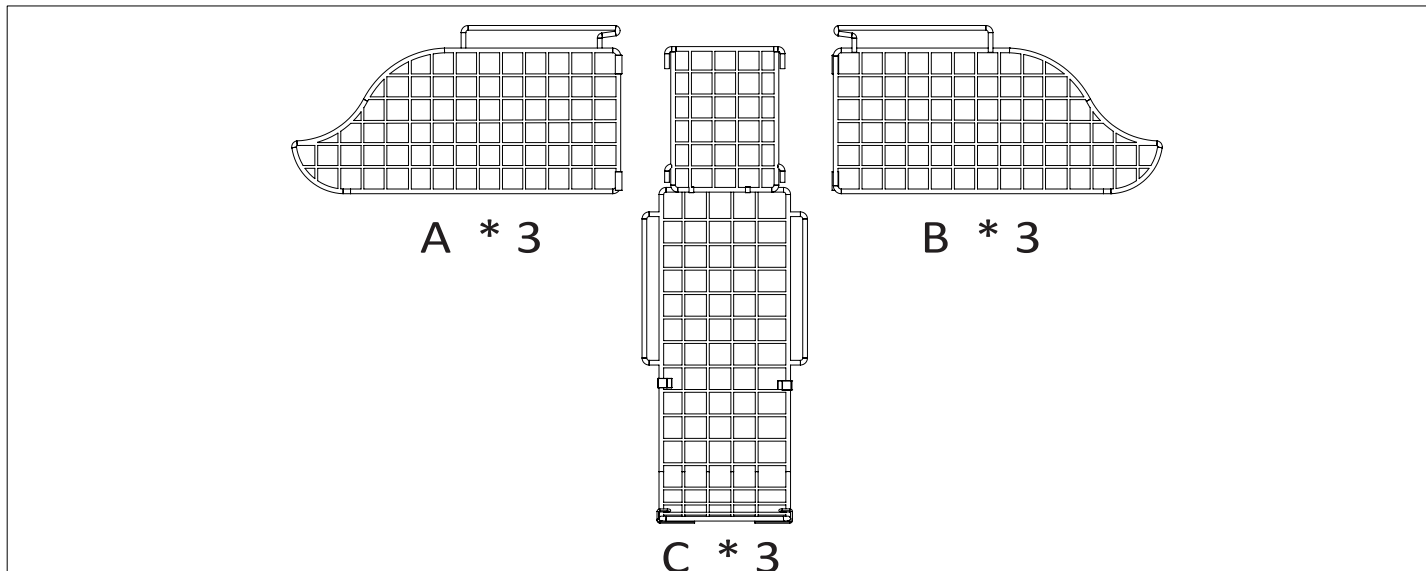


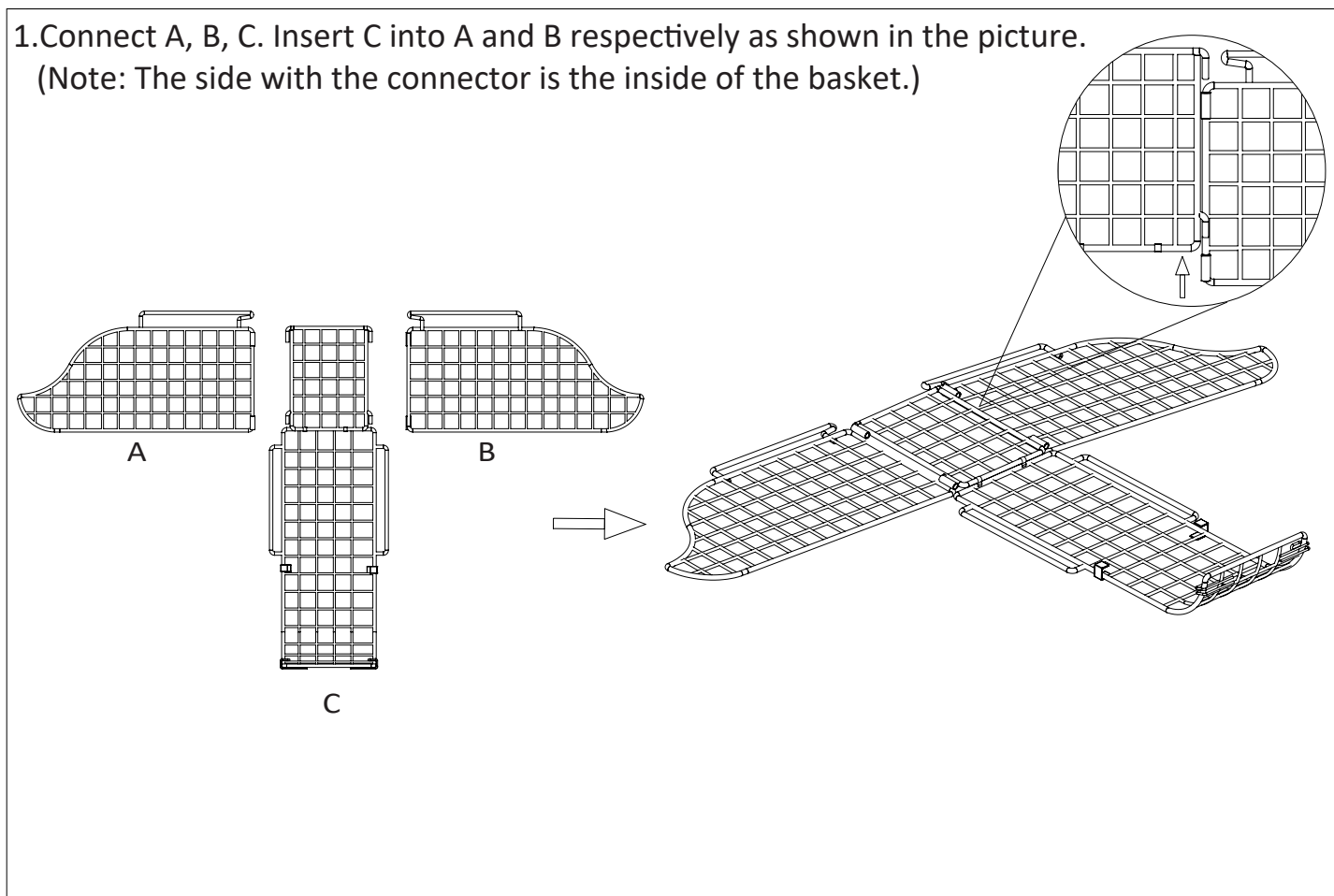
Installation Instructions

Accessories include



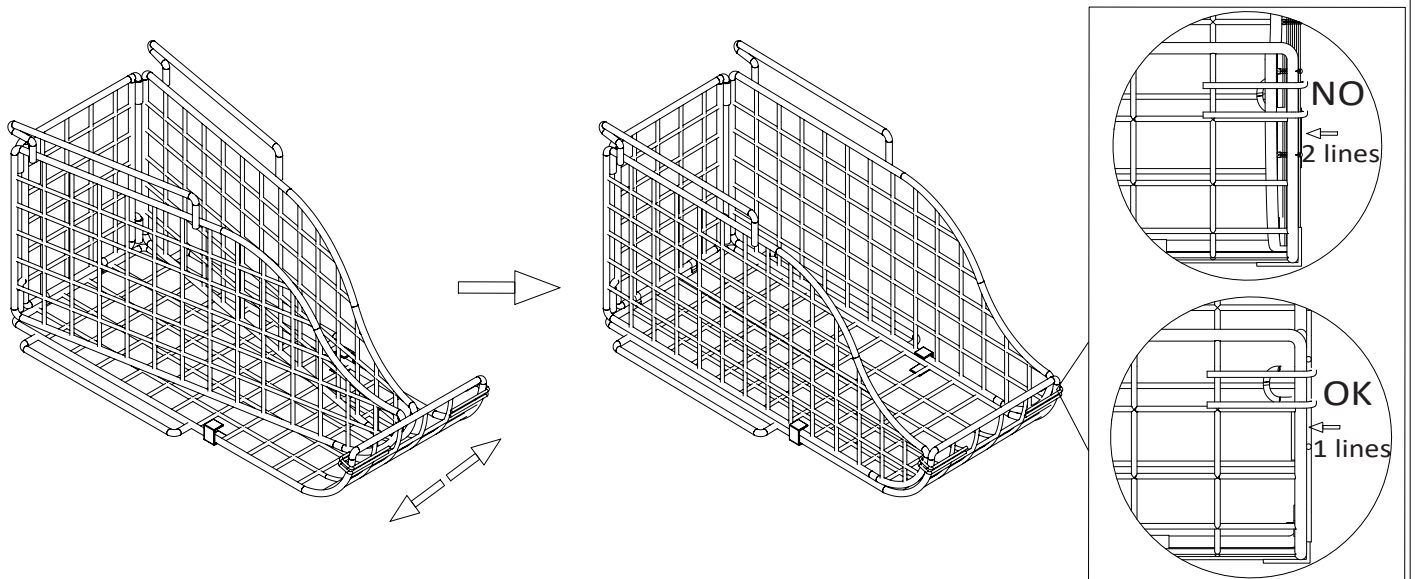
Installation Steps

1. Connect A, B, C. Insert C into A and B respectively as shown in the picture.
(Note: The side with the connector is the inside of the basket.)



2. From the inside out force, so that A, B buckle C.

(Note: from the front, the front of the basket is a line when the assembly is good, is two lines need to use more force).



3. Stack the basket together. You can stack 2 or 3 together or use each basket alone.

