

Thank you for choosing a **PALACE IMPORTS** product.  
Your total satisfaction is our #1 priority.

### Customer Service and Warranty Information

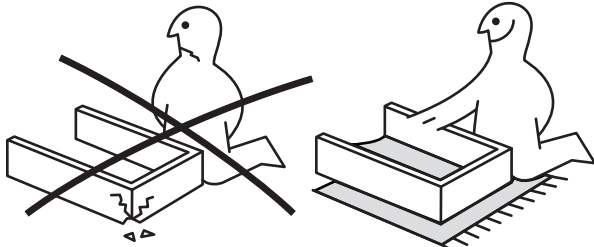
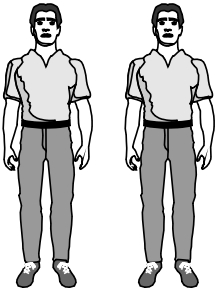
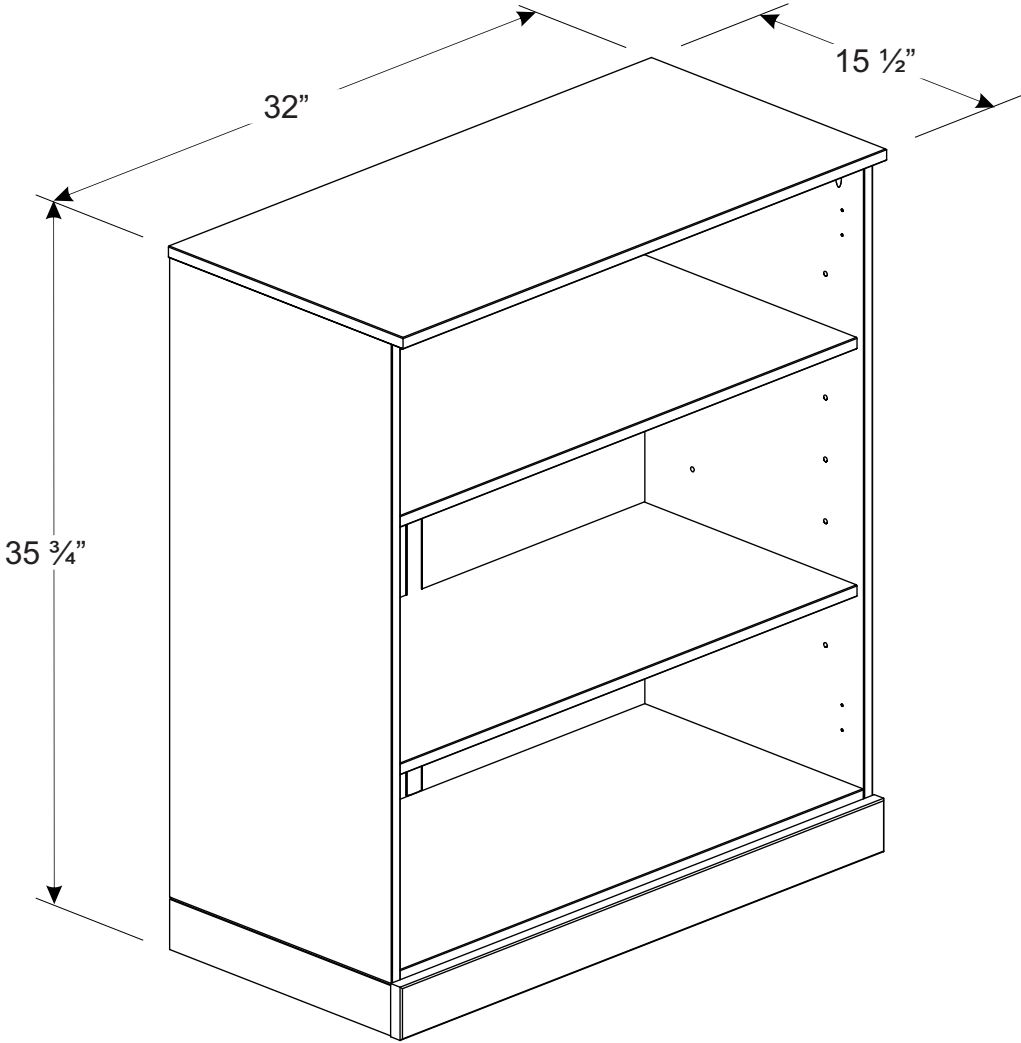
- Should you have a problem or need more information concerning the warranty, **do not contact the place of purchase. Please email our customer service department for immediate assistance at [info@palaceimportsinc.com](mailto:info@palaceimportsinc.com) or go to [www.palaceimportsinc.com](http://www.palaceimportsinc.com)**
- PALACE IMPORTS products are warranted to the original purchaser against defects in material or workmanship in the furniture. Defects as mentioned in this warranty refer to any imperfections which may impair the use of the product. Our warranty is expressly limited to the replacement of furniture parts and components for one year following the date of purchase.
- PALACE IMPORTS will replace any part that is defective. This warranty applies under conditions of normal use. Our furniture products are not intended for outdoor use. The warranty does not cover defects caused by improper assembly or disassembly, defects occurring after purchase due to product modifications, intentional damage, accident, misuse, exposure to the elements and labor or assembly costs.
- PALACE IMPORTS reserves the right to request proof of purchase to document a warranty claim. In no event shall PALACE IMPORTS be liable for incidental or consequent damages resulting from the misuse of the product.



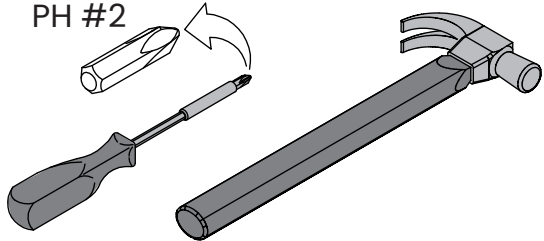
# ASSEMBLY GUIDE

## PANTRY 2-DOOR CABINET

SKU 9201 - White  
SKU 9207 - Black



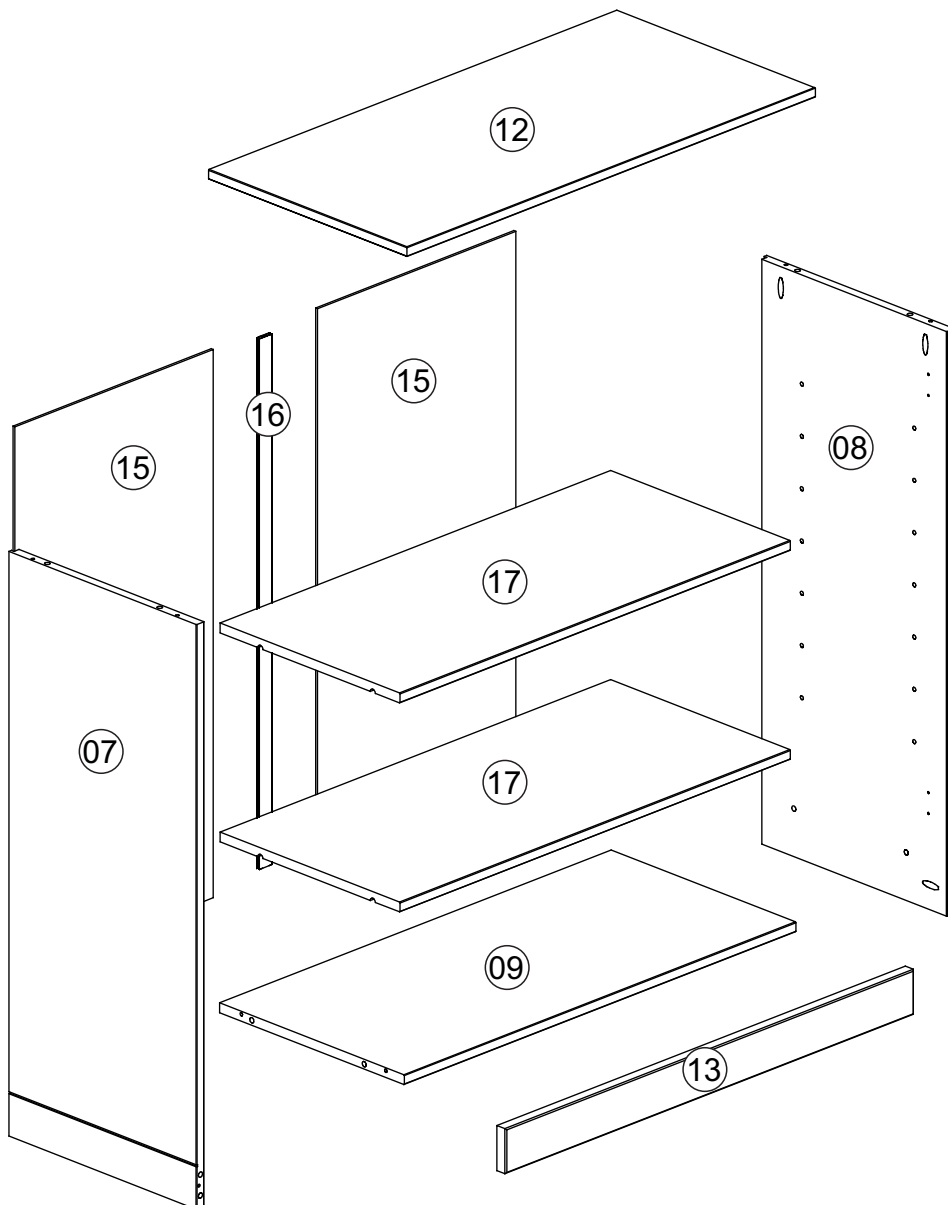
PH #2




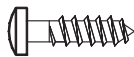
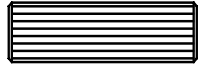
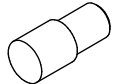
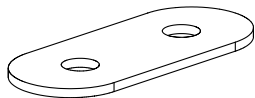
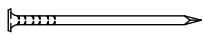
# PRE-ASSEMBLY PREPARATION

- Please check the contents before assembling. A full checklist of parts is provided below.
- If any parts are missing or damaged, please contact us at [info@palaceImportsInc.com](mailto:info@palaceImportsInc.com)
- Assemble on a flat, smooth surface on top of a blanket.
- Use only low-speed power drill setting.
- Assemble as near as possible to the point of use.
- The hardware pack contains SMALL ITEMS which should be KEPT AWAY FROM YOUNG CHILDREN.

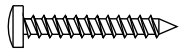
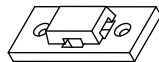

## PARTS DIAGRAM



SCREWS ARE SHOWN IN ACTUAL SIZE

A1	 4,0x30	10+1
A44	 3,5x14	4+1
C2	 8,0x25	12+1
D4		08+1
D48	 31x13	02
G1	 10x10	30

FURNITURE TIP-OVER RESTRAINT

A8	 3,0x20	02+1
F8		02
F9		01

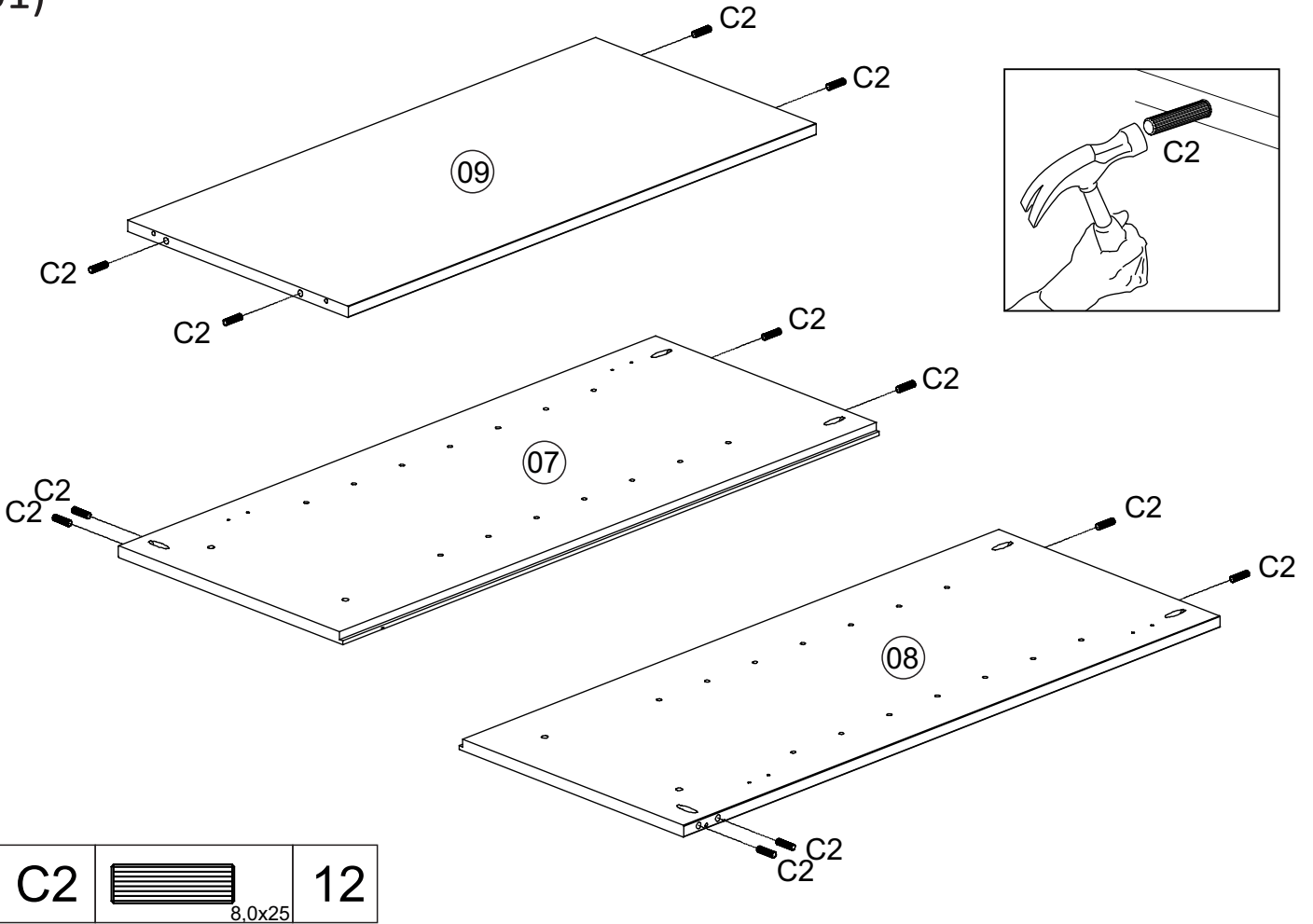
**! WARNING:**  
**CHOKING HAZARD**  
 Small Parts.  
 Adult Supervision Required.  
 Not for children under 3 years old.

**! WARNING:**

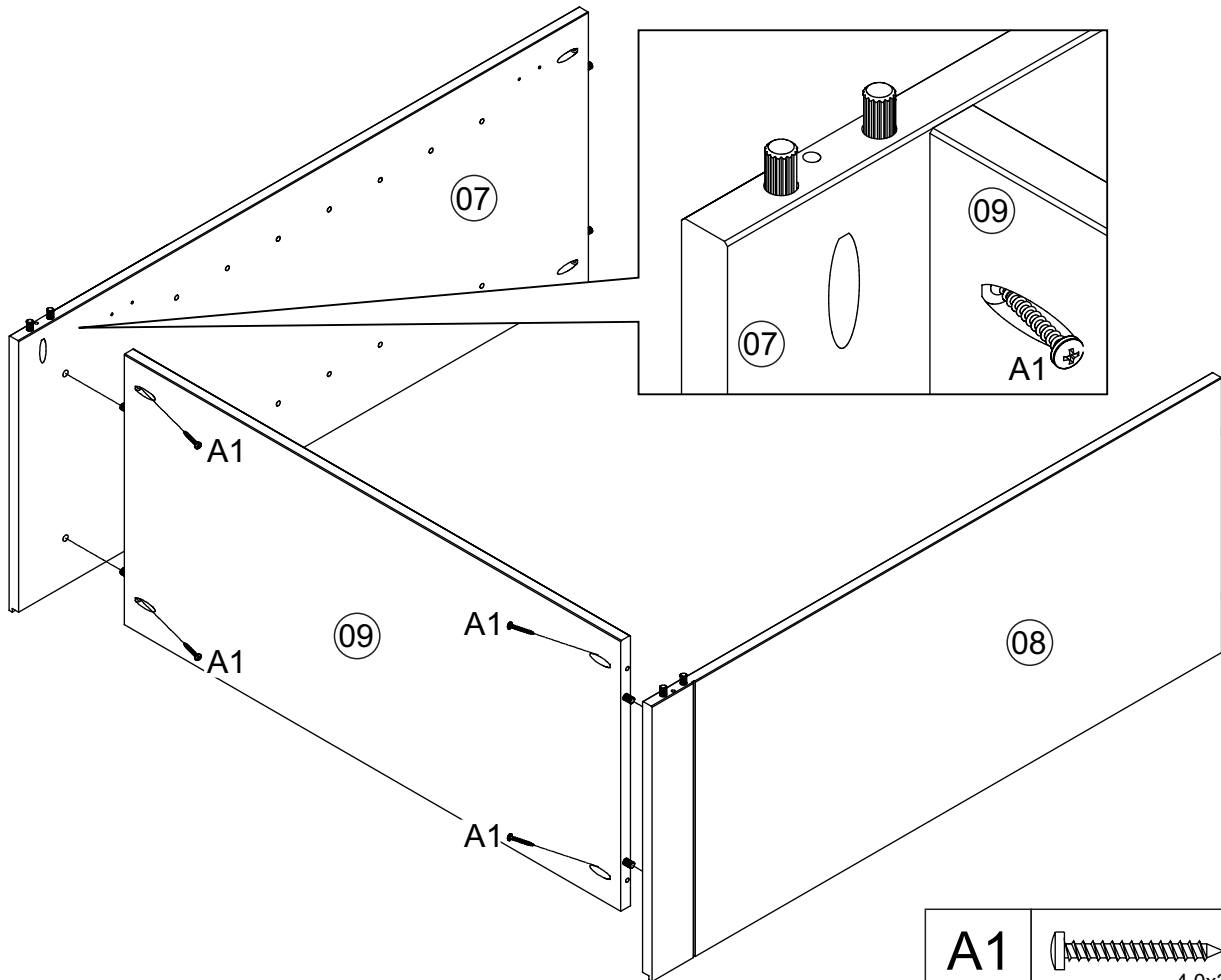
**FURNITURE TIPOVER CAN RESULT  
 IN SERIOUS INJURY OR DEATH**

This wardrobe includes tipover-  
 prevention hardware that  
**MUST BE ATTACHED TO THE WALL**  
 per the assembly instructions.

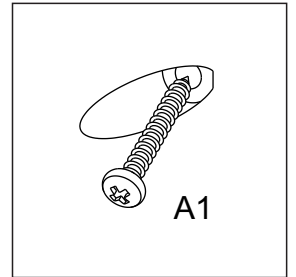
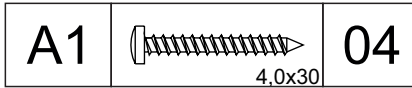
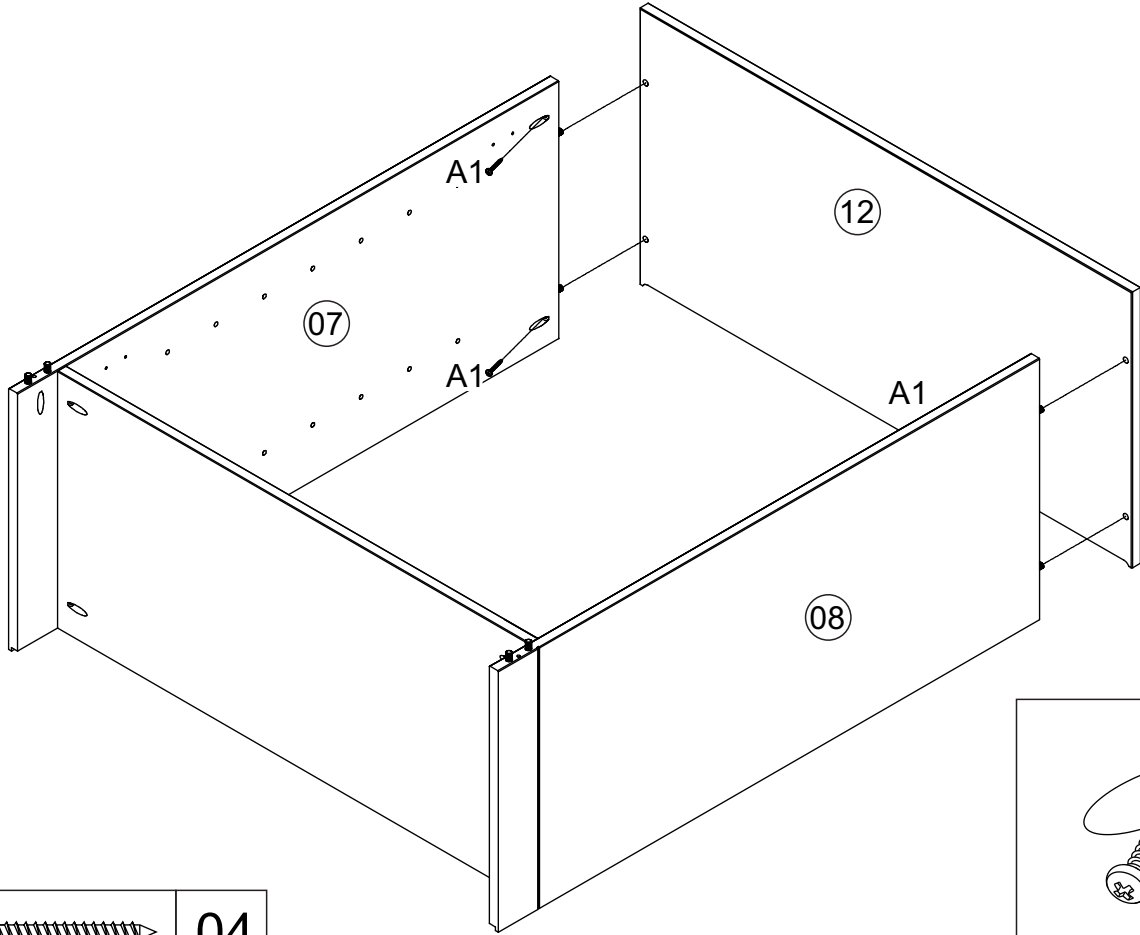
01)



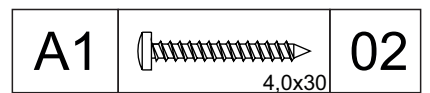
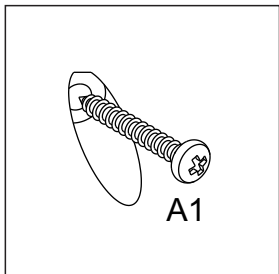
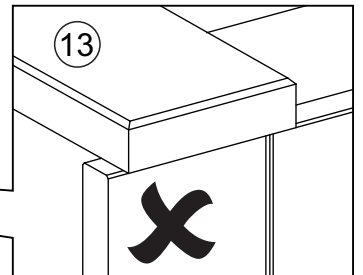
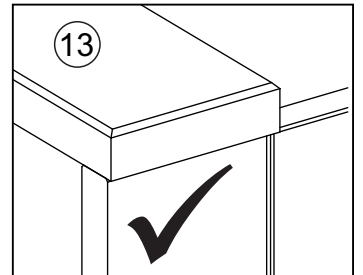
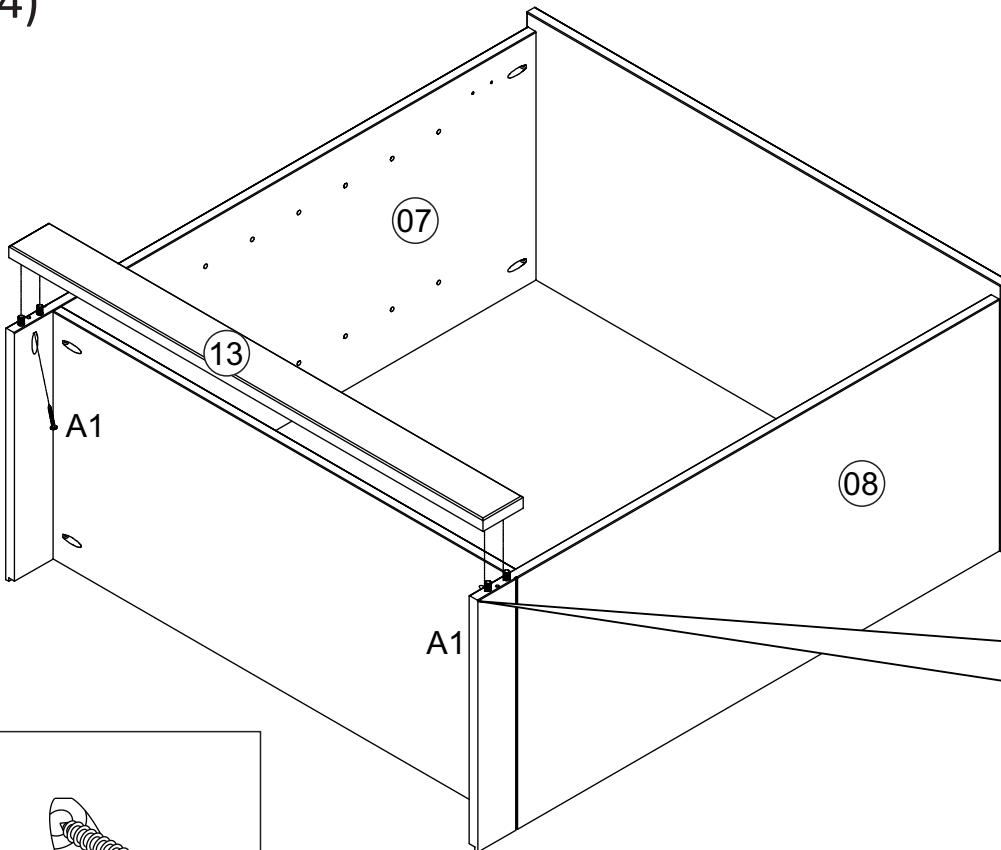
02)



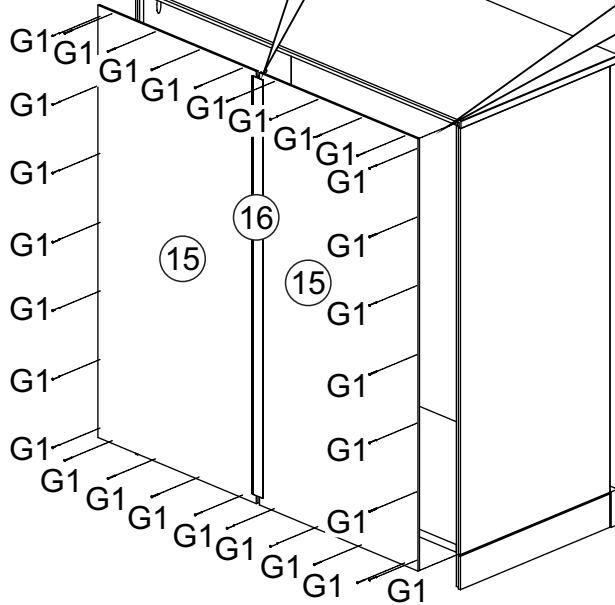
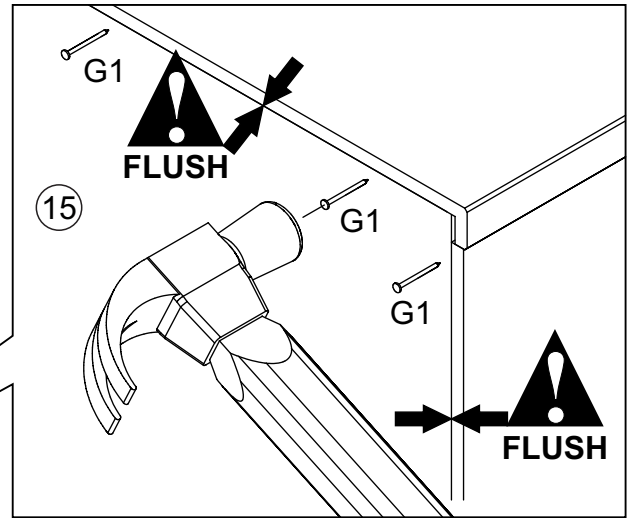
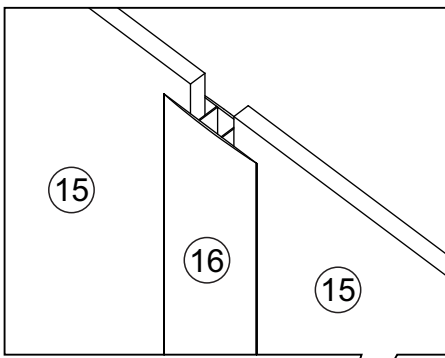
03)




04)

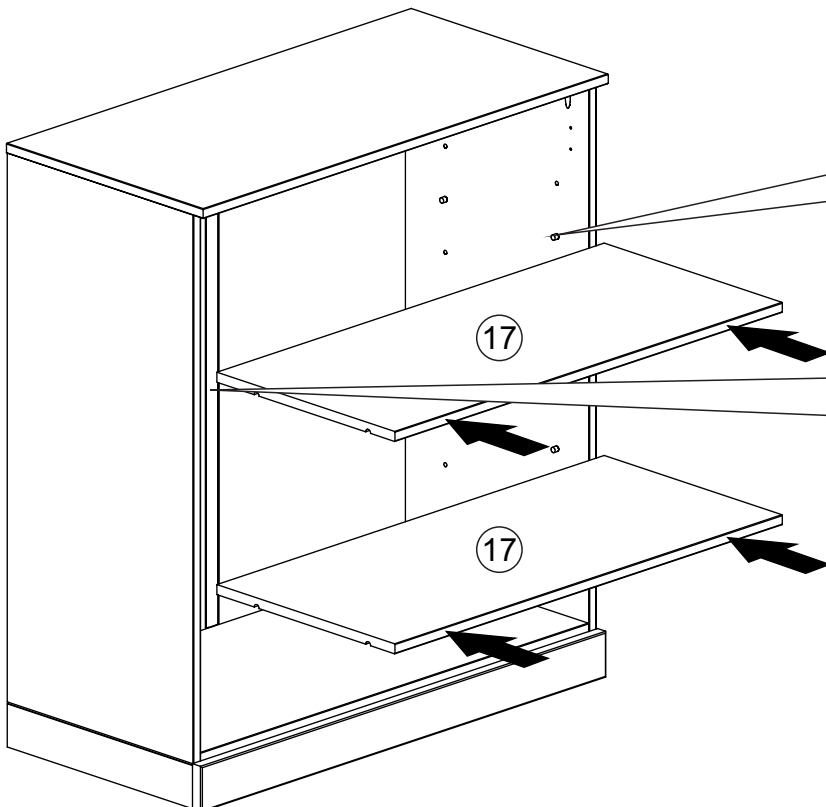


05)

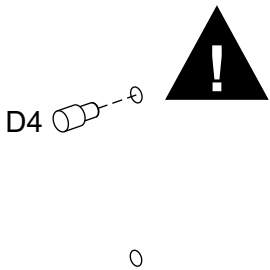



G1		30
	10x10	

06)

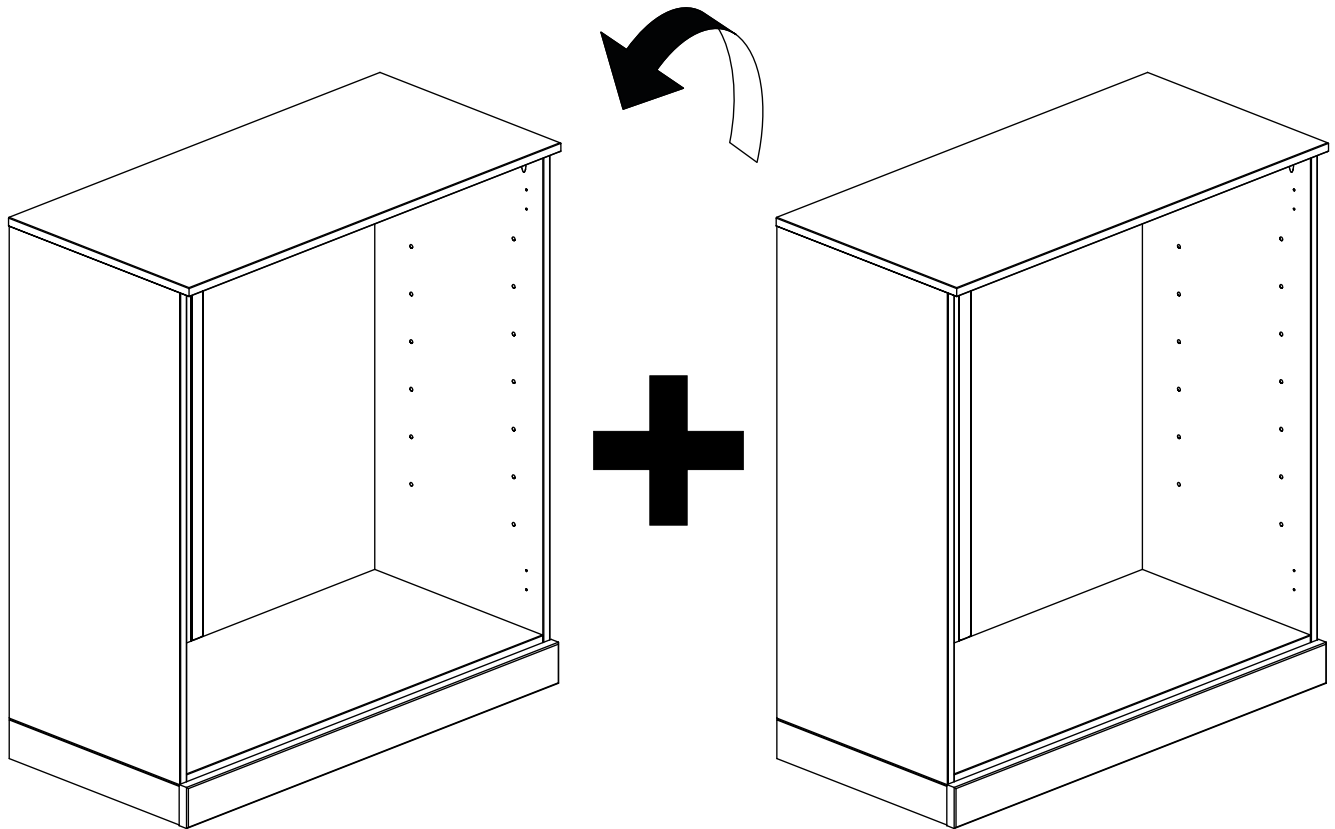


Choose the desired shelf position and insert metal pegs.

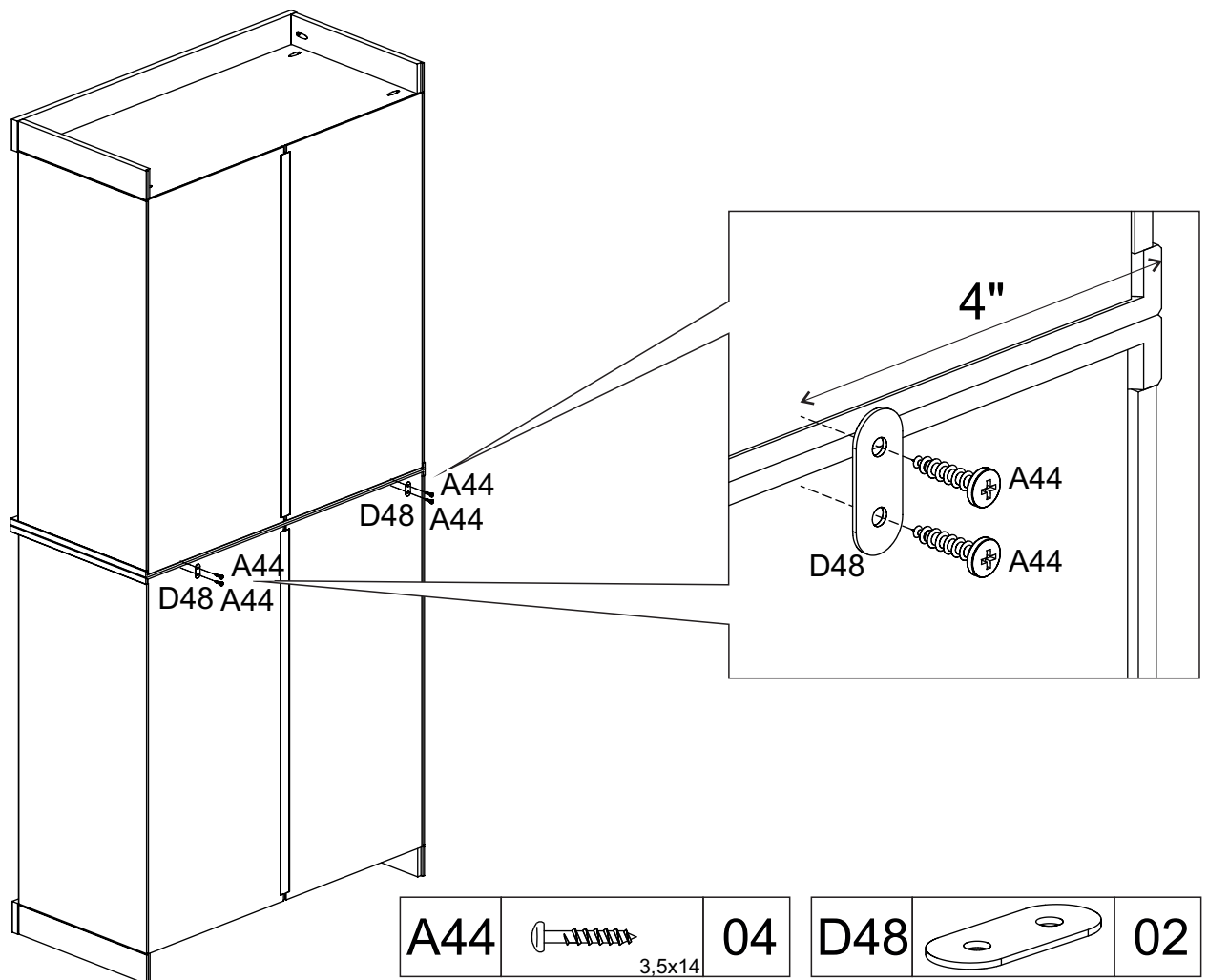


D4		08
----	---	----

07) Connecting top and bottom cabinets  
(2 cabinets must be purchased).



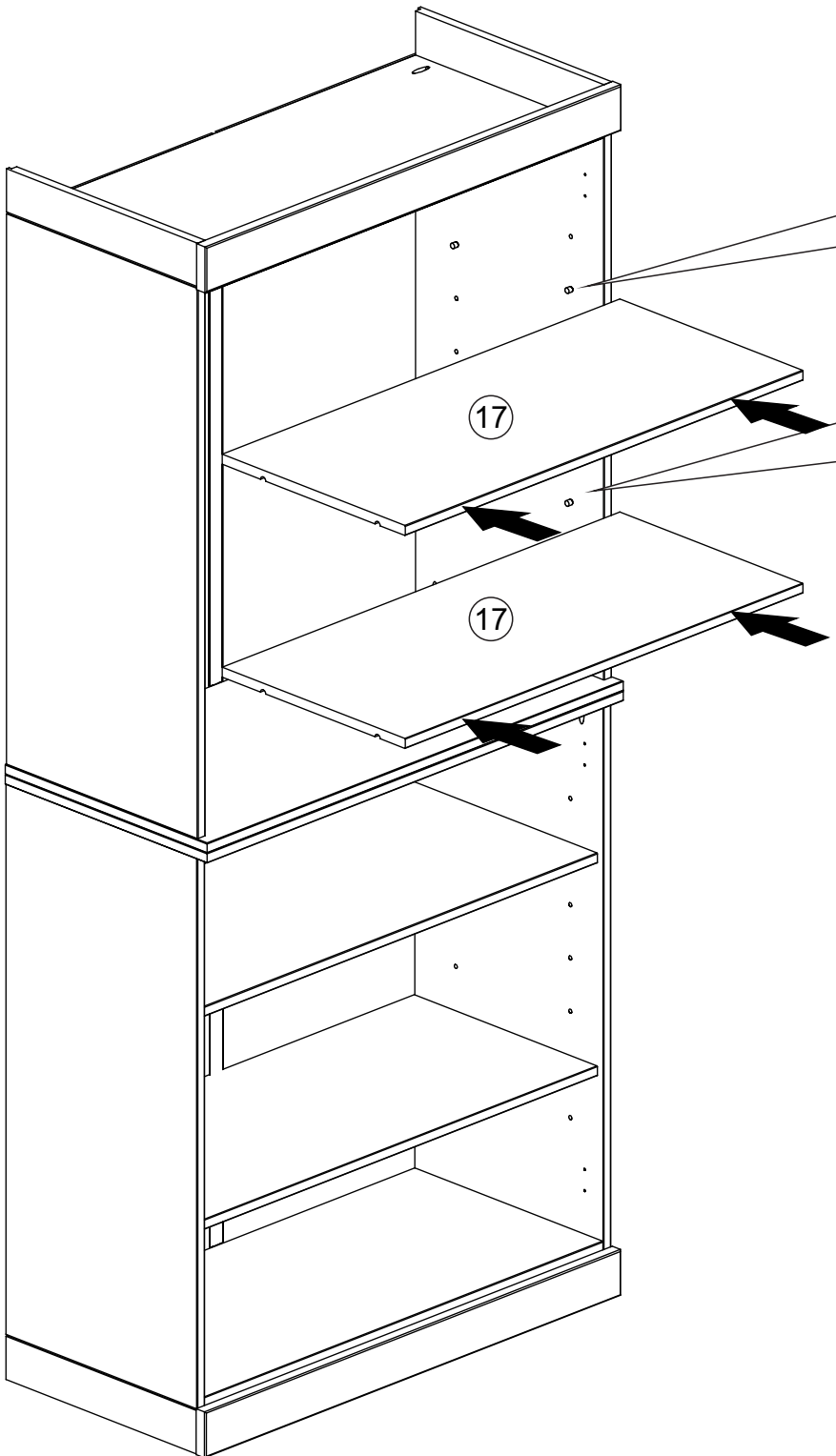
08)



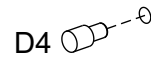
A44		04	D48		02
-----	---	----	-----	---	----

3.5x14

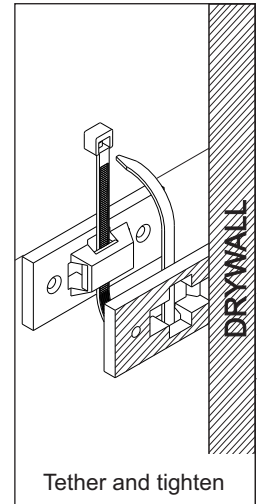
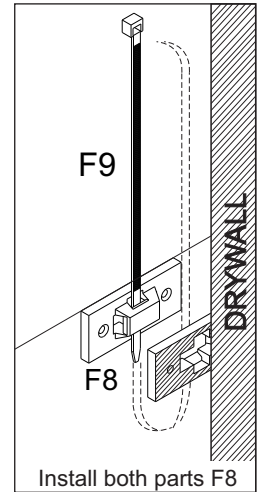
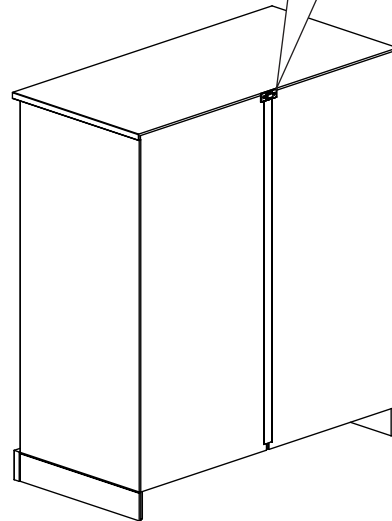
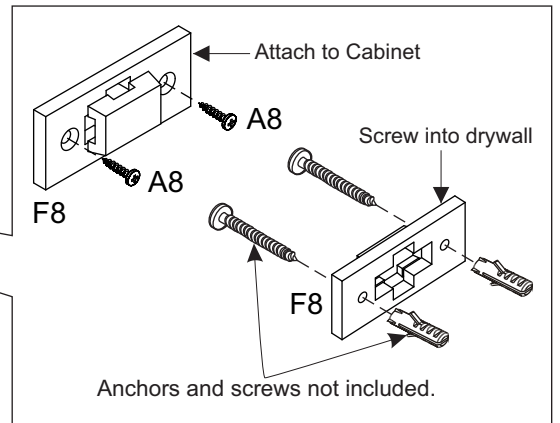
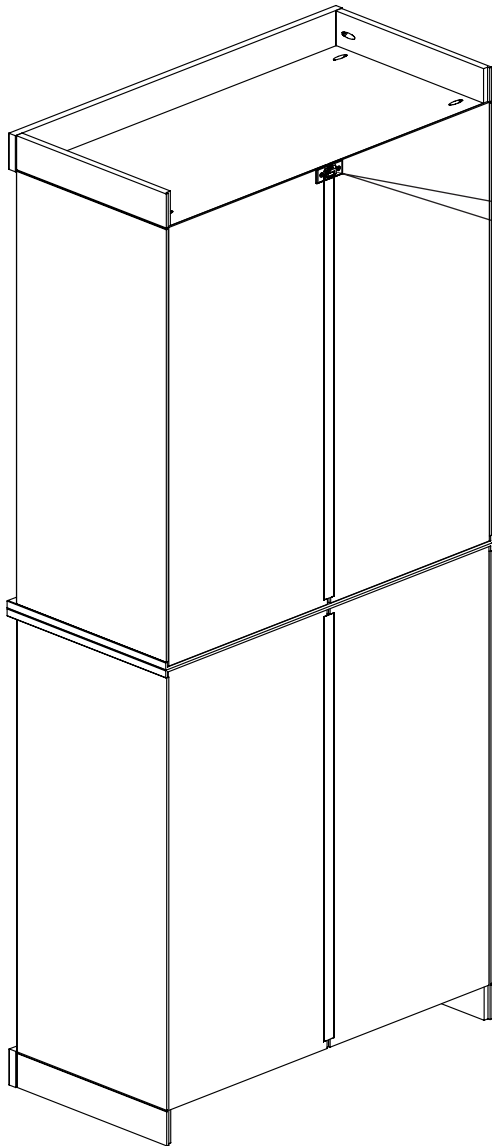
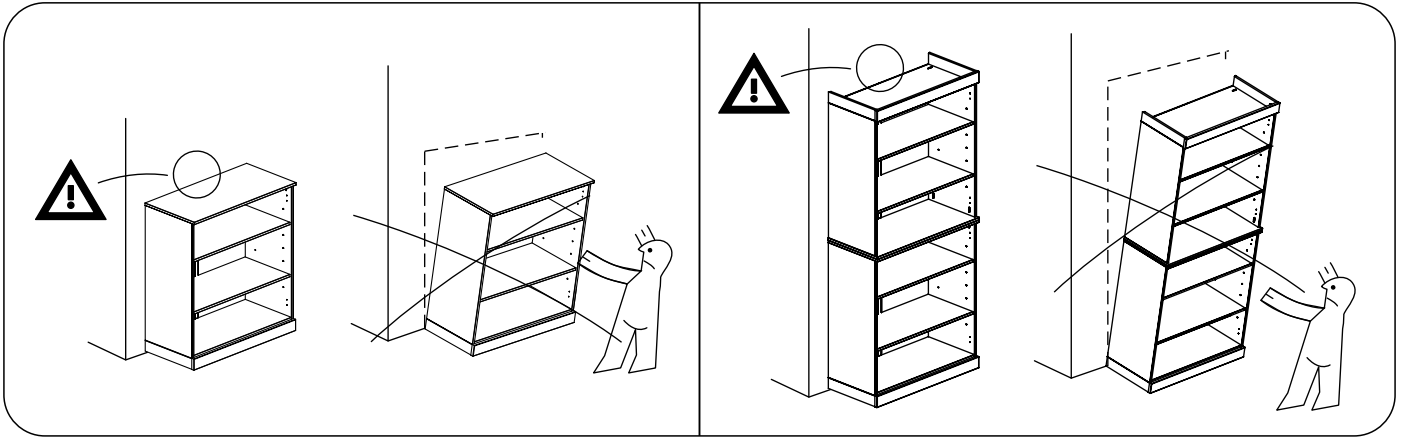
09)

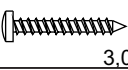
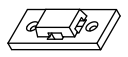



Choose the desired shelf position and insert metal pegs.



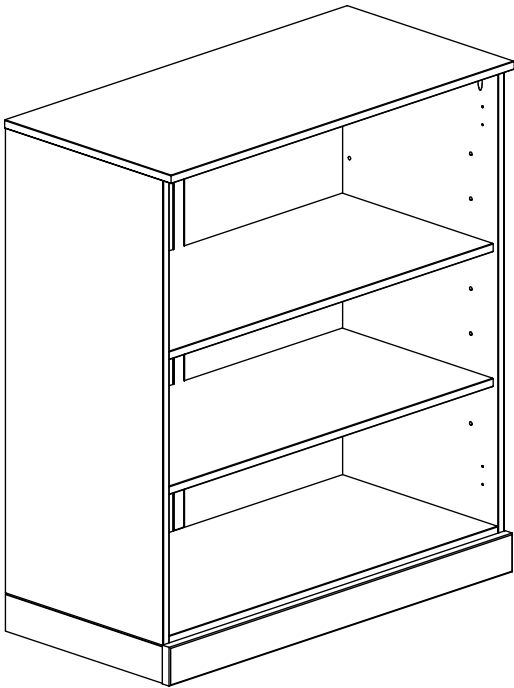
# 10) FURNITURE TIPOVER PREVENTION KIT INSTALLATION



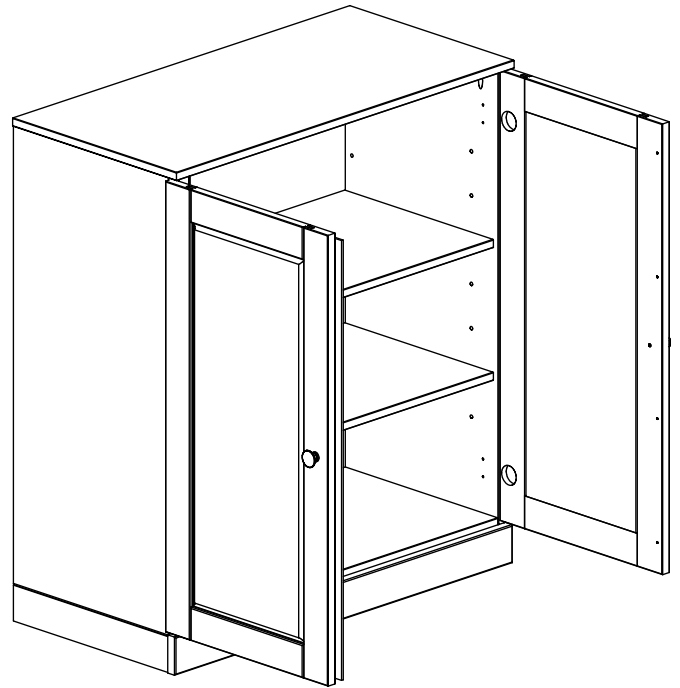
A8	 3.0x20	02
F8		02
F9		01

11) Multiple configurations are possible by purchasing additional

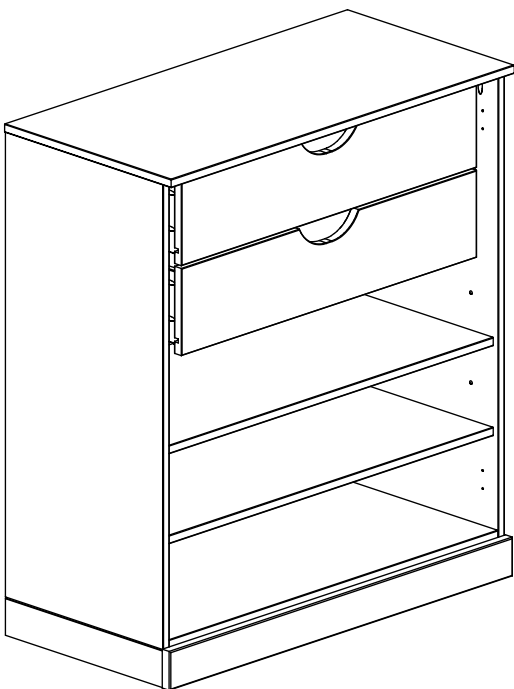
- cabinets
- raised panel doors
- clear glass doors
- drawers set



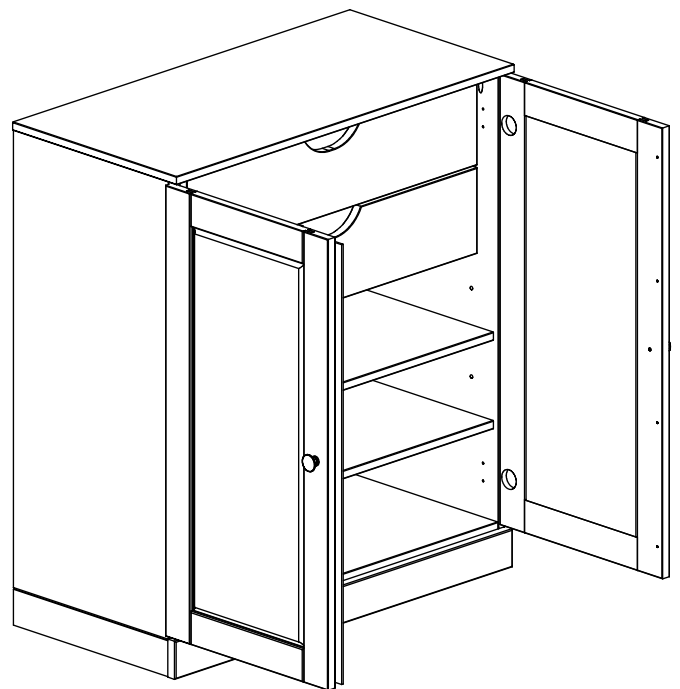
**Cabinet**



**Cabinet+Doors**



**Cabinet+Drawers**



**Cabinet+Doors+Drawers**

## 12) Additional possible configurations.

