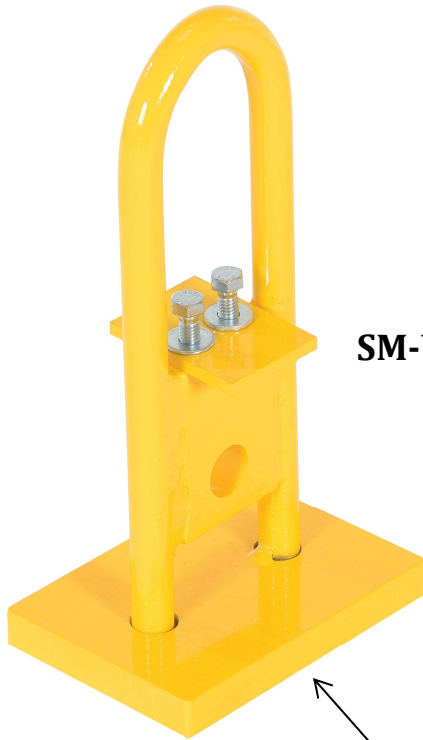
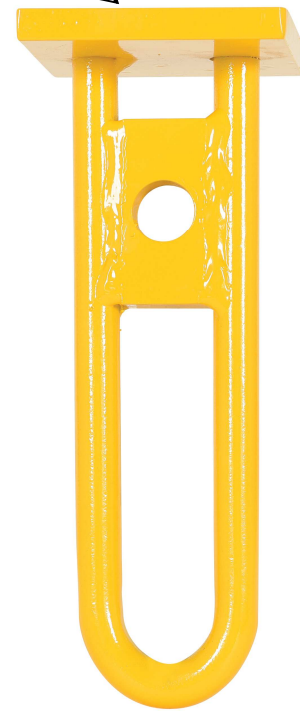


# SM-LB-X

# SM-UB-X



**SM-UB-X = UPPER BAIL**



**SM-LB-X = LOWER BAIL**

Model No. _____	Serial No. _____	
No. Modelo _____	No. Serie _____	
Capacity _____ lbs.	Lifter Weight _____ lbs.	
Capacidad _____ kgs.	Peso del Elevador _____ kgs.	
BTH-1 Design Category: B	BTH-1 Service Category: 1	VESTIL MANUFACTURING
BTH-1 Categoría de Diseño B	BTH-1 Categoría de Servicio: 1	2999 North Wayne Street
		Angola, IN 46703
Read Owners Manual for product safety warnings		1000
Lea Manual de Proprietarios para advertencias de seguridad de producto		

Label 1000

Label 1072 is to be applied to the outside of individual packaging

**WARNING:**  
Reproductive Harm -  
www.P65Warnings.ca.gov.

**ADVERTENCIA:**  
Daño Reproductivo -  
www.P65Warnings.ca.gov.

**WARNING:** Cancer -  
www.P65Warnings.ca.gov.

**ADVERTENCIA:** Cáncer -  
www.P65Warnings.ca.gov.

1072

## ADDITIONAL UPPER & LOWER BAILS FOR SPREADER BEAMS

06/09/2025