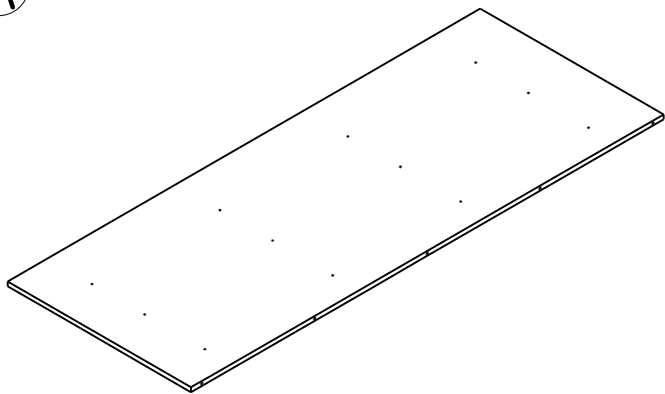
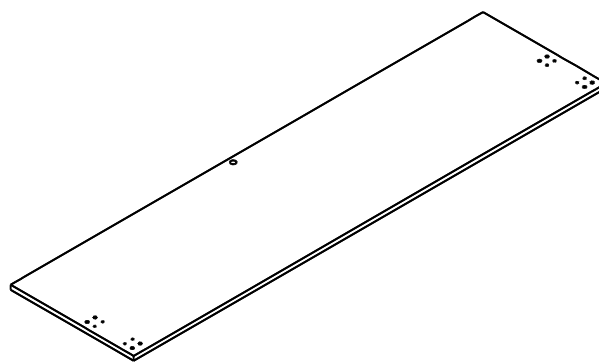


A



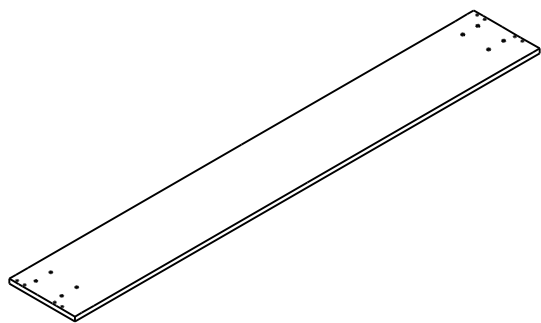
HEADBOARD nr.01

B



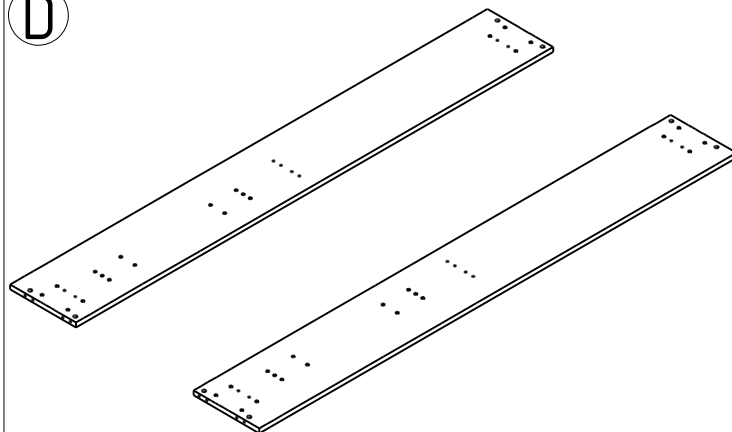
LOWER HEADBOARD nr.01

C



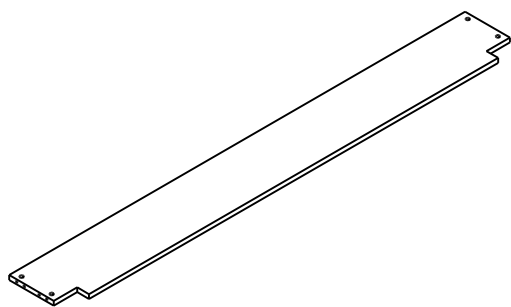
BOTTOM PANEL nr.01

D



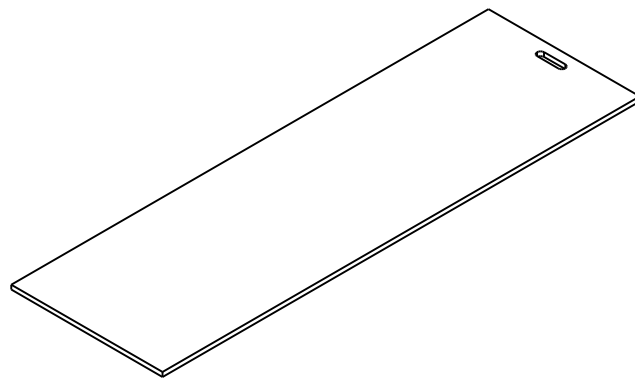
SIDE PANEL nr.01 RIGHT-nr.01 LEFT

E



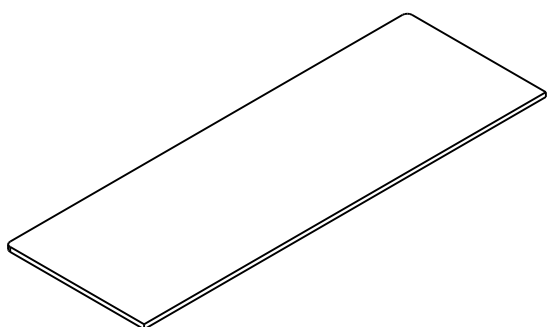
TRANSVERSE PANEL nr.03

F



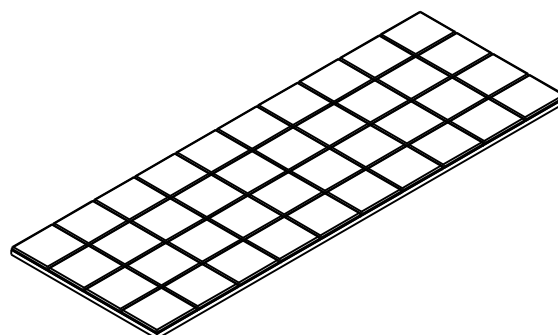
MATTRESS SUPPORT nr.03

G



LED HEADBOARD nr.01

H



UPHOLSTERED HEADBOARD nr.01