
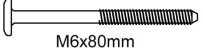

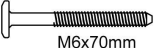




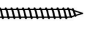

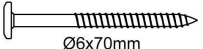
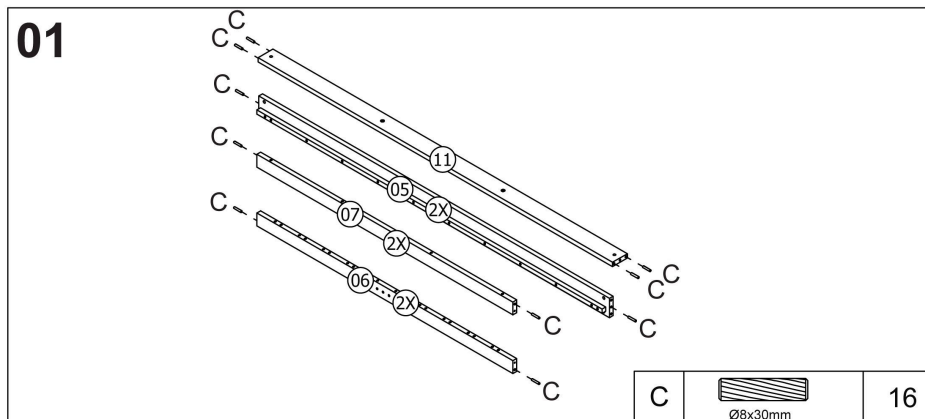
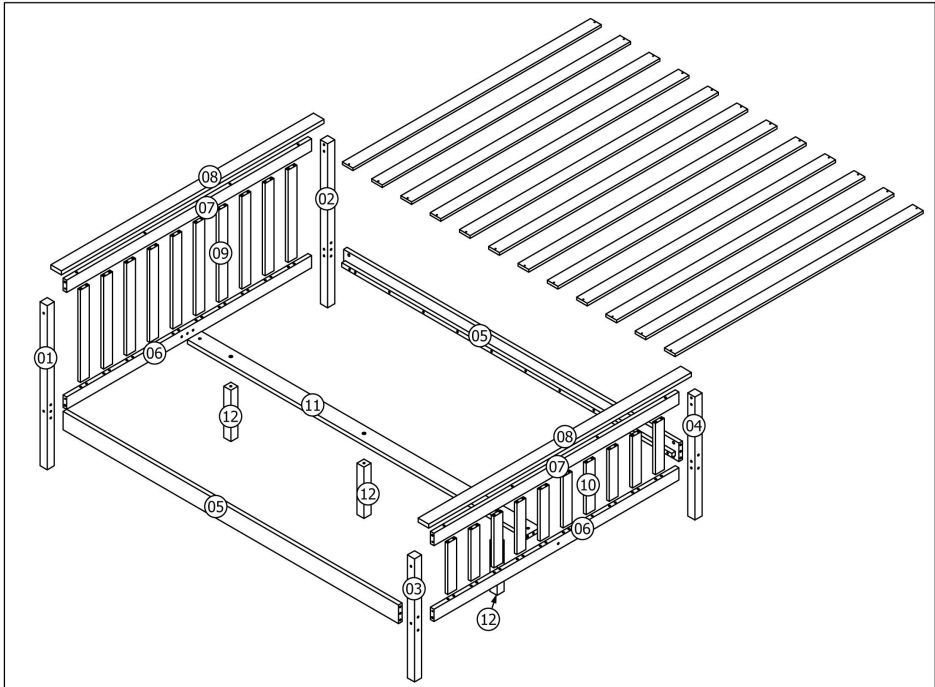


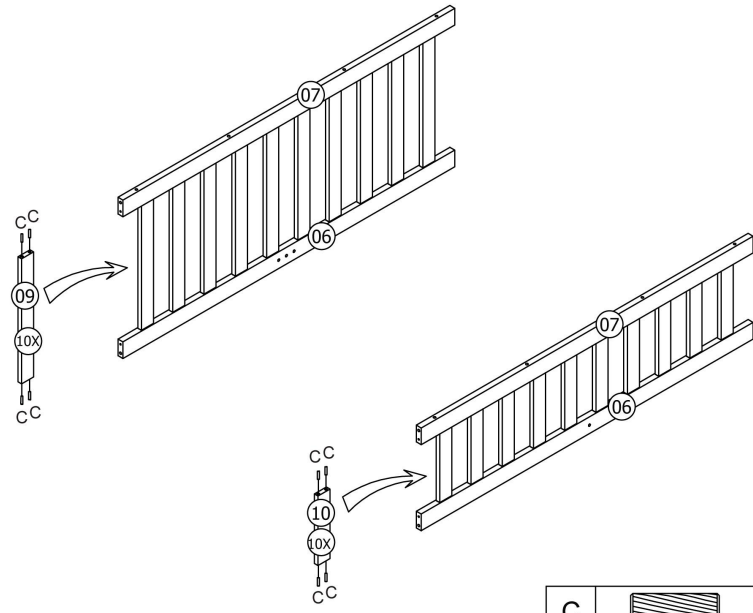
## HARDWARE


A	 	08	E	 	08
B		08	F		01
C		96	G	 	30
D	 	13			



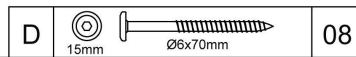
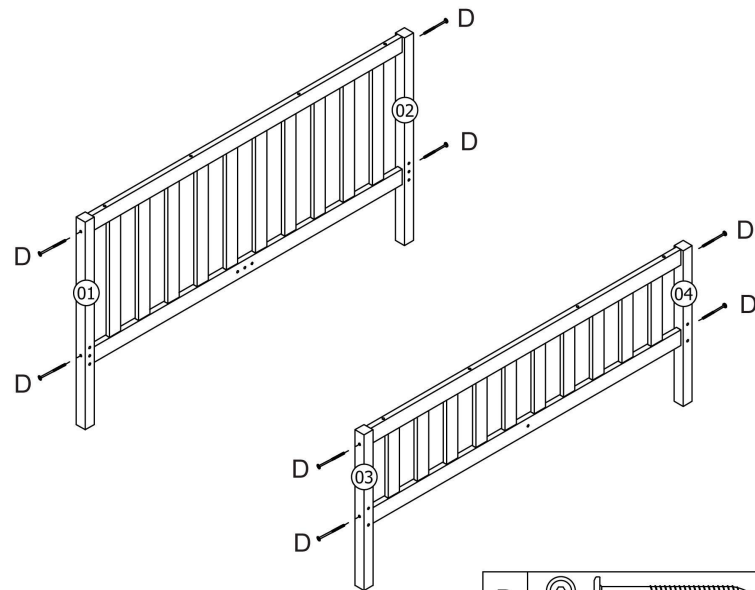


**02**

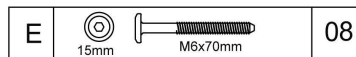
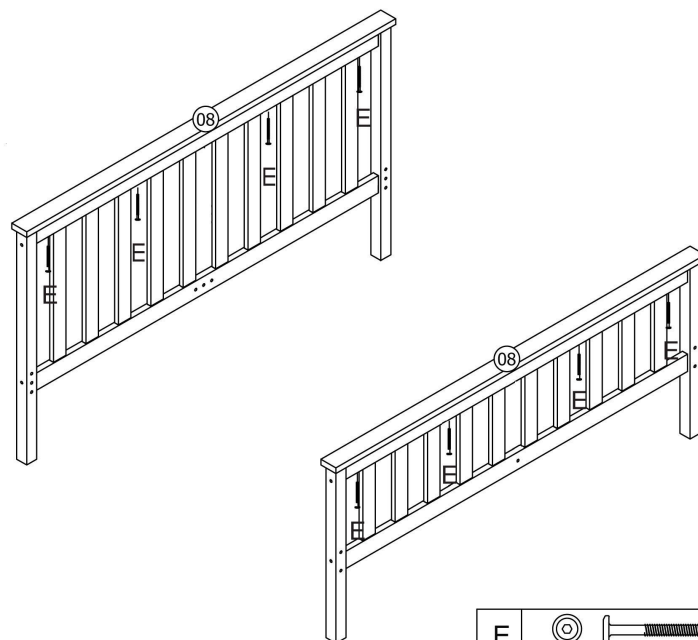


C		80
	Ø8x30mm	

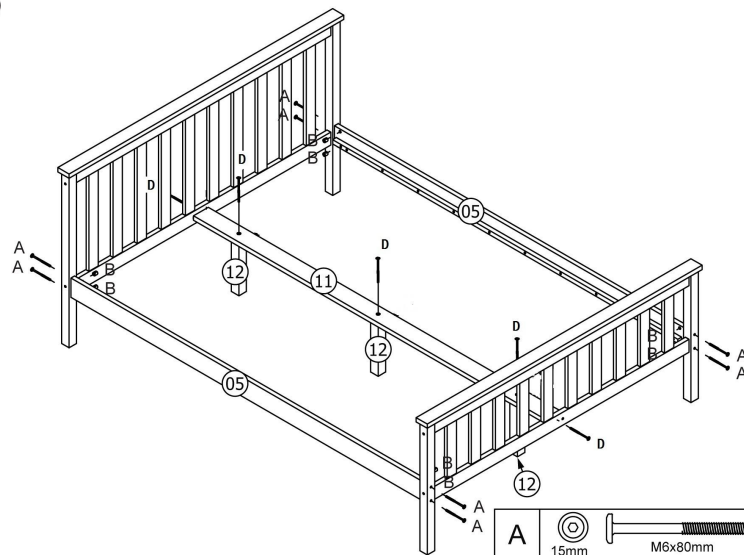
03


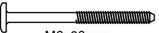


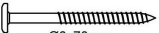


04

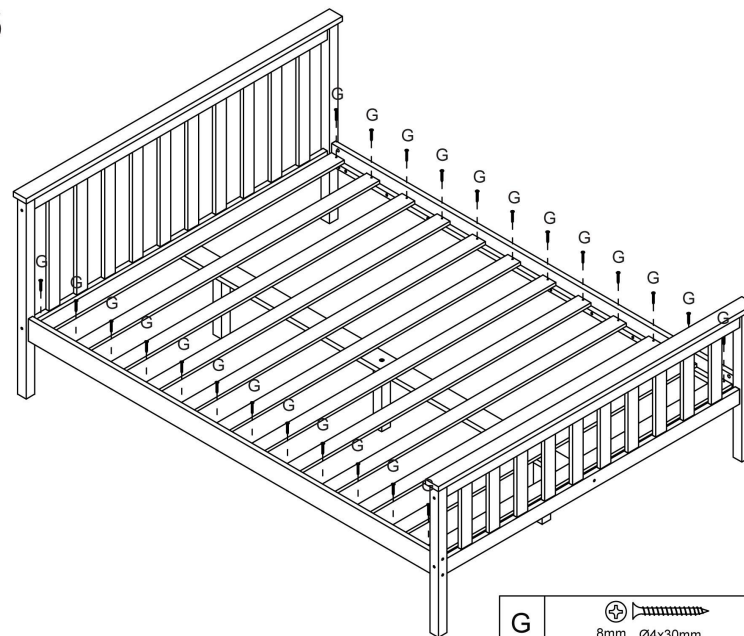


**05**



A	 15mm	 M6x80mm	08
B			08
D	 15mm	 Ø6x70mm	05

**06**



G	 8mm	 Ø4x30mm	30
---	---	---	----