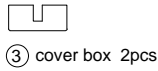


⑤ end cap 3pcs

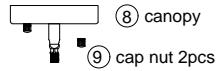


③ cover box 2pcs

④ plate 2pcs

⑥ hanging tube 1pcs

⑦ hanging tube 3pcs



⑧ canopy

⑨ cap nut 2pcs

② bolt screw
 D0216-5 14pcs
 D0216-6 18pcs
 D0216-7 18pcs
 D0216-8 22pcs
 ZJD00124-6 18pcs

screw driver 1pcs

⊗ X 1PCS

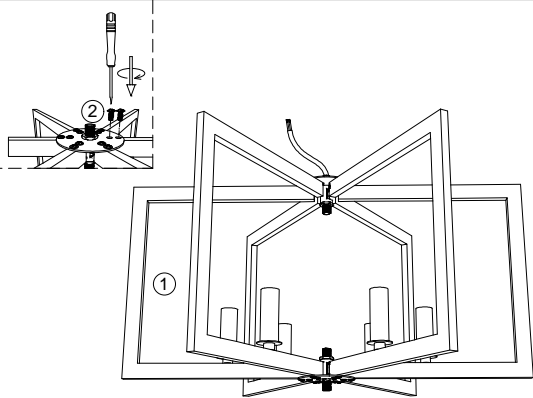
⚡ X 3PCS

⚡ X 3PCS

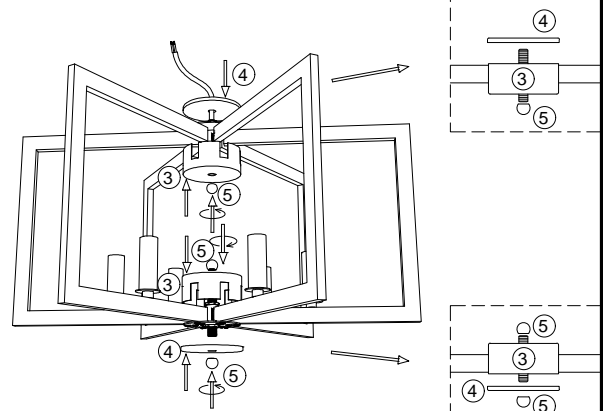
⊗ X 1PCS

⚡ X 3PCS

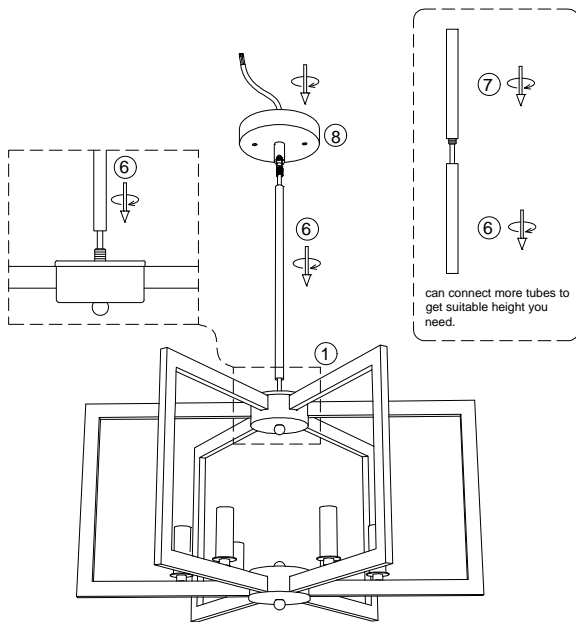
⚡ X 3PCS



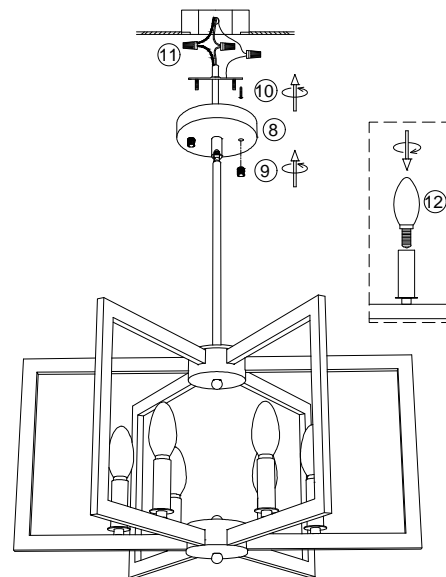
1. Open and adjust the light arms ① to suitable position, put the bolt screw ② to the round plate, don't tighten the screws ② until all screws are ready in the hole, fasten the screw ② with screw driver at last.



2. Close the cover box ③ and plate ④ to the fixture with end cap ⑤. (make sure all wires should in the box ③ to avoid damage)



3. Let the wire go through the hanging tube ⑥, rotate to install the tube to the fixture, let the wire go through the canopy ⑧, rotate to install the canopy ⑧ to the fixture.



4. Install the bracket to the ceiling junction box with screw ⑩.
 5. Connect the wire to your home line with cap connector ⑪.
 6. Install the fixture to the bracket with cap nut ⑨.
 7. Install the bulb ⑫.

Please read carefully before installation!!!

Note : Please make sure that the electricity is powered off during installation !

Only a professional electrician should install this kind of product !