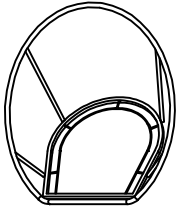


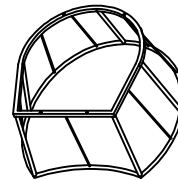
Assembly Instruction

1. Please check the carton and Packing materials before disposing, to ensure that you have all the parts for this products.
2. Do not tighten all screws completely until assemble is completed.

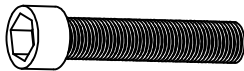
Part A - Chair Top 1pc



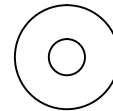
Part B - Chair Bottom 1pc



Part C - Screw M6 x 35mm 4pcs

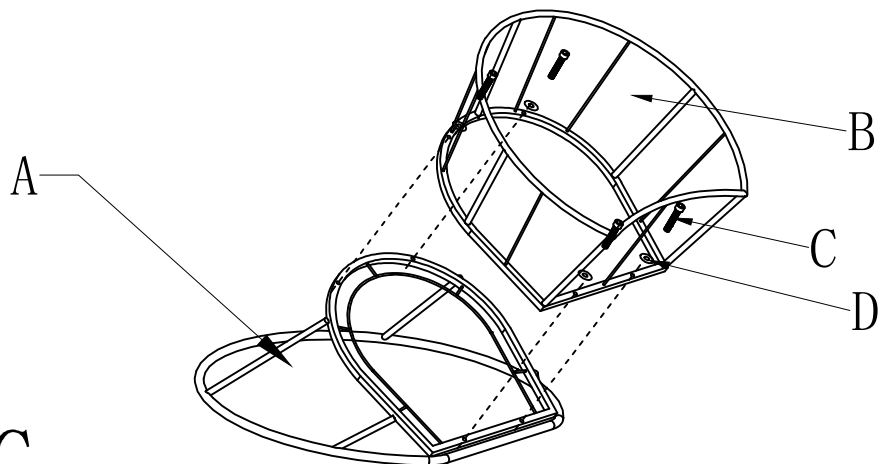


Part D - Washer 4 pcs



1

Connect Part A and Part B using 4pcs Part C and 4pcs Part D .



WARNING

Do not let any sharp objects touch or rub the surface of the product.

When assembling, do not let children play around the working area.

Please confirm all parts are correct before starting the assembly process.

Do not tighten all bolts and screws completely until the entire unit has been assembled and set up.

Use only the wrench provided. DO NOT USE POWER TOOLS.

Power tools can overtighten screws and strip threads.

For each screw:

1. Tighten each screw until you meet resistance.

2. Tighten one additional full rotation. DO NOT OVERTIGHTEN.

2