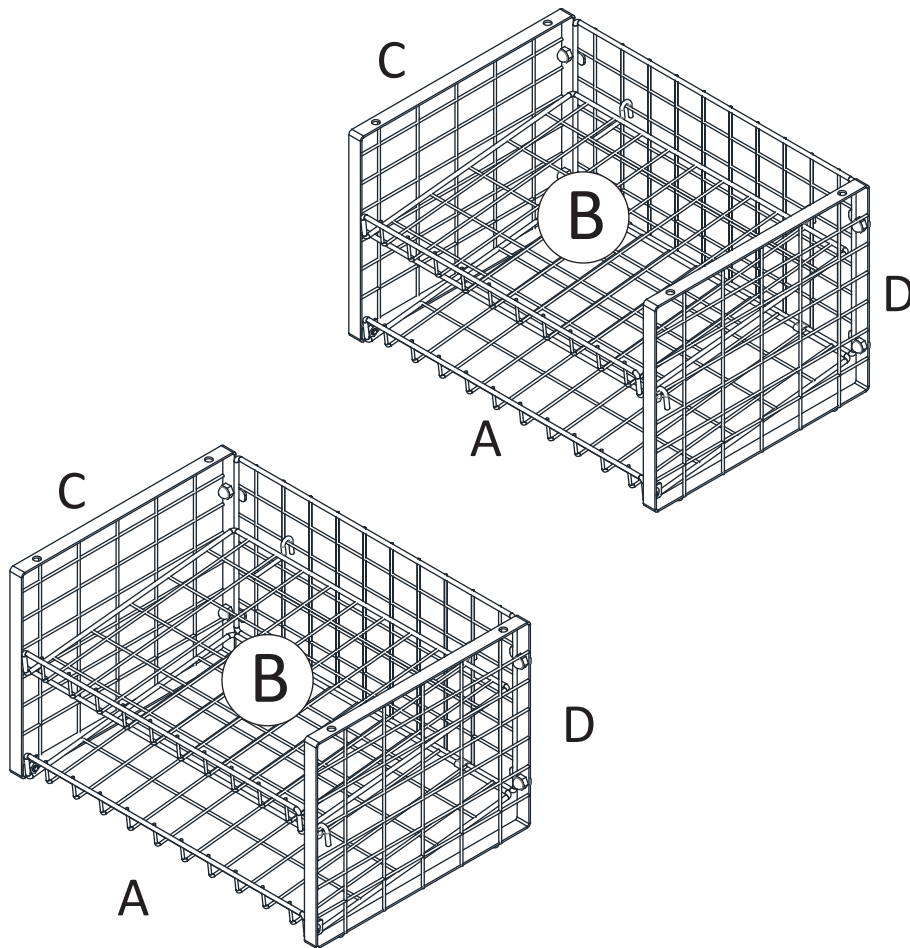


Website : www.x-cosrack.com

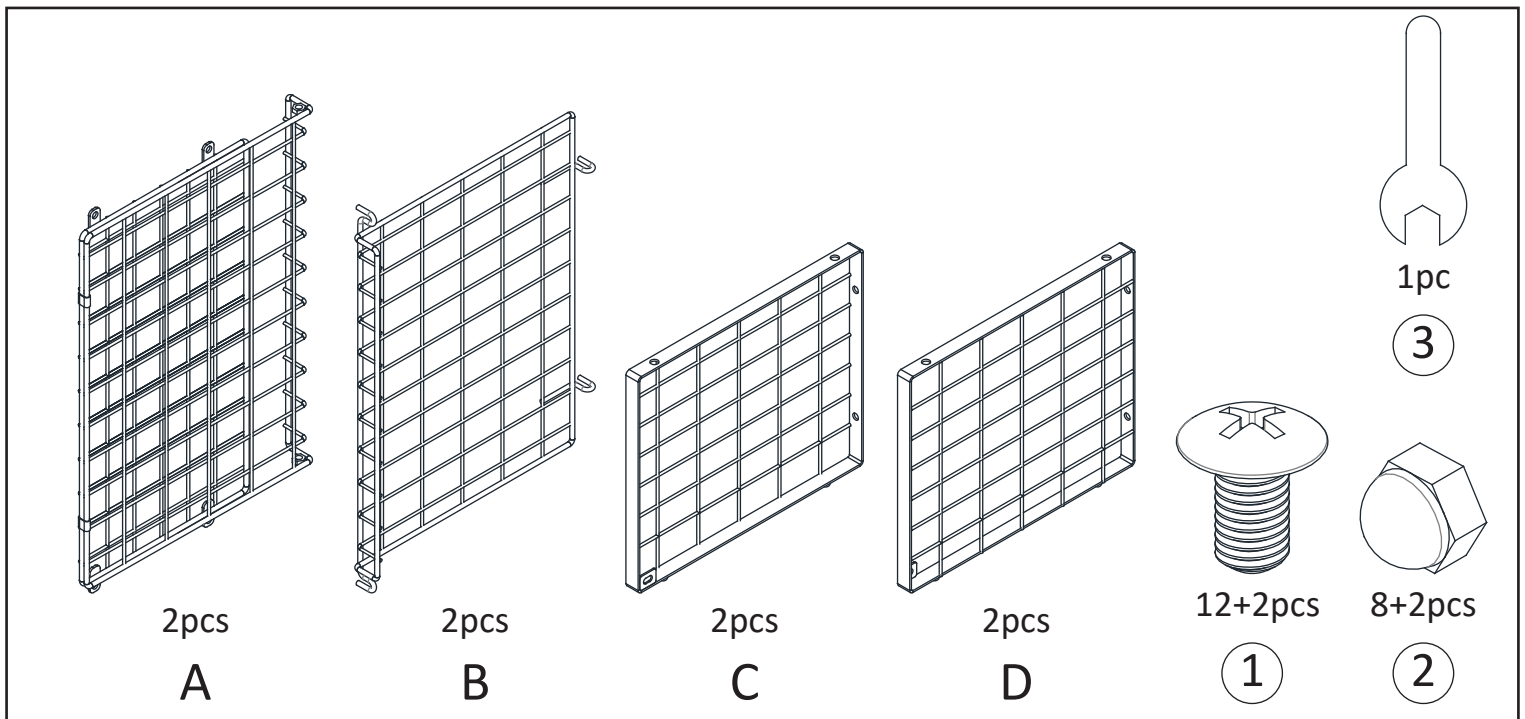
E-mail : info@x-cosrack.com

Facebook: www.facebook.com/cosrackofficial/

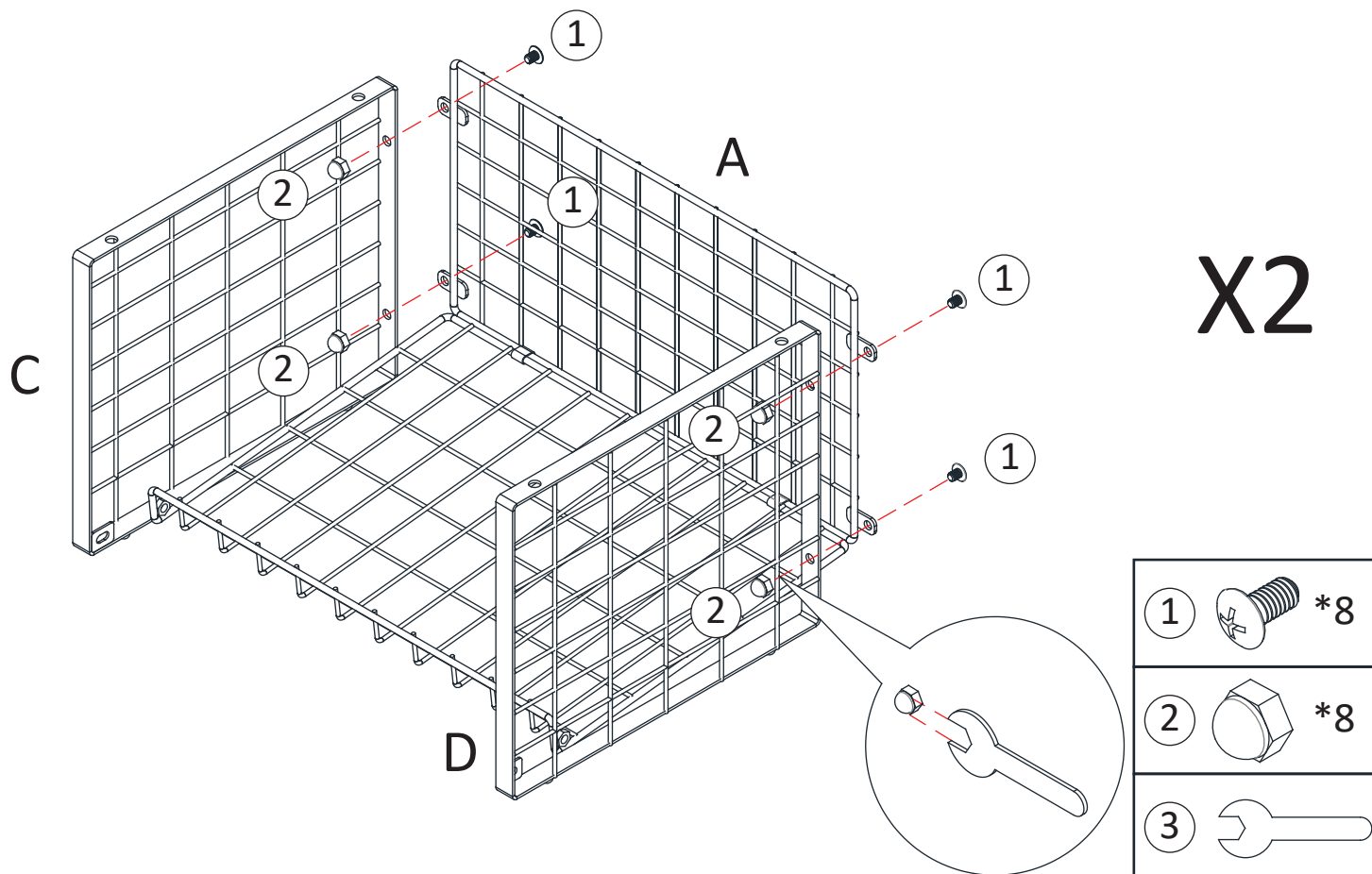
Assembly Instructions



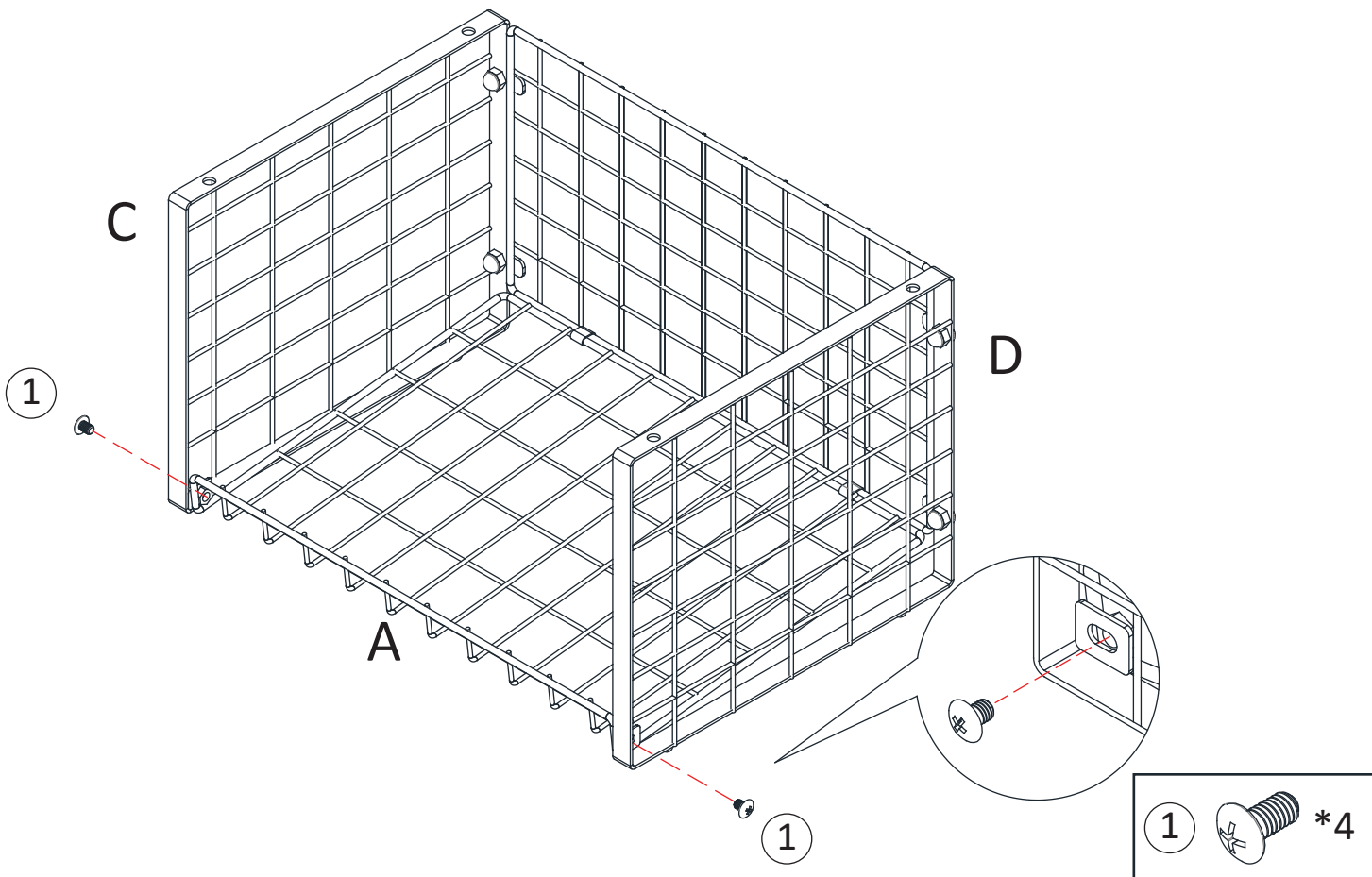
Parts Included



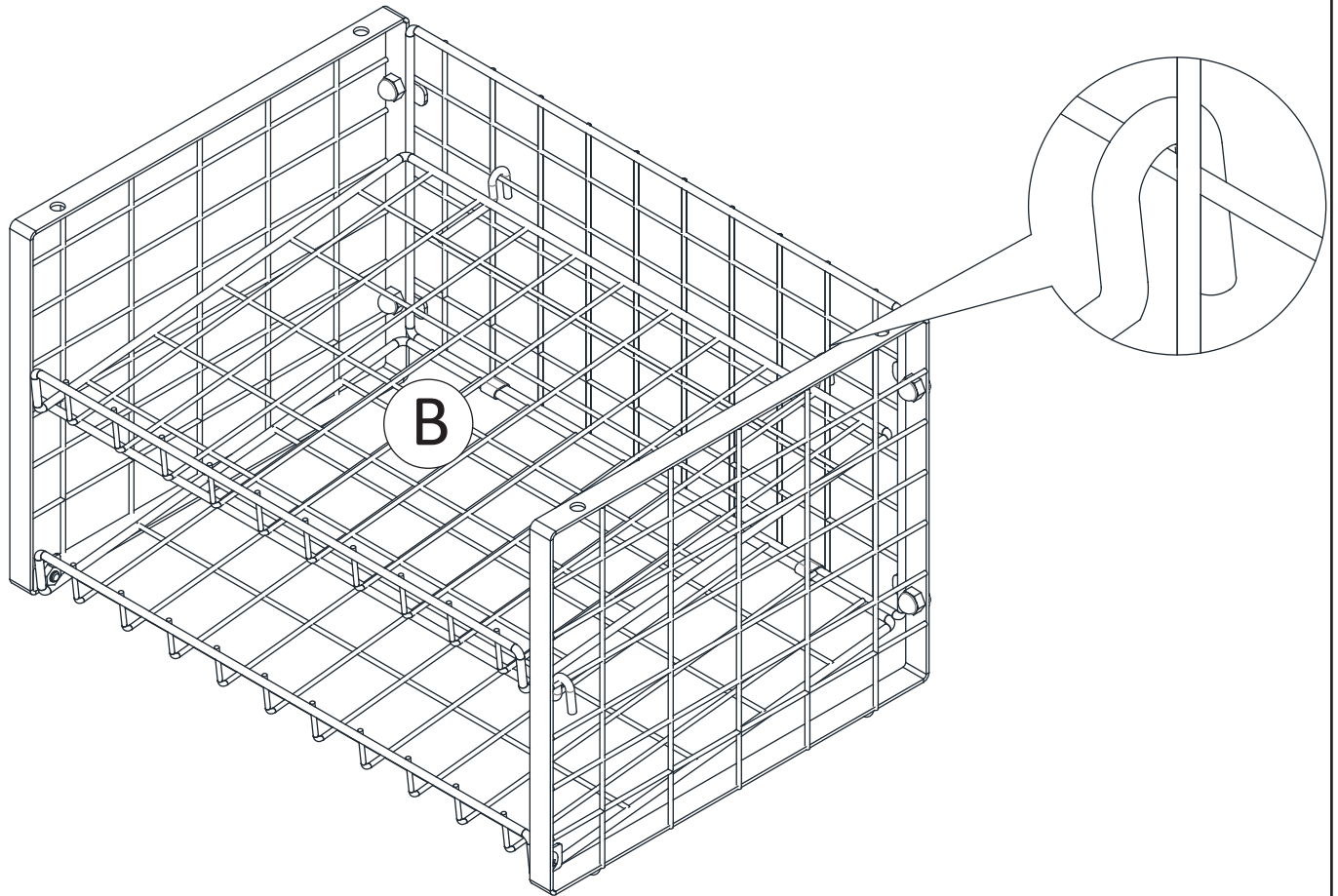
1. Connect parts C\D to A with screws ① ② as shown.
Note the direction of C\D.



2. Fix the mesh A with screws ① as shown.
If the screw holes are slightly offset, a little force can be used to align them.



3. Hook the 2 hooks on the back of mesh B to A, and the left and right hooks to the side frame (either parallel or angled)



4. Can be stacked or used individually.

