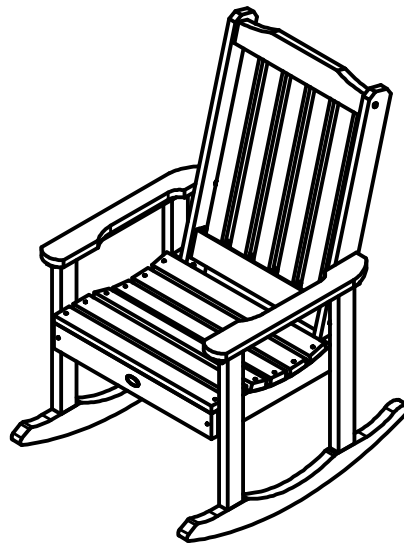


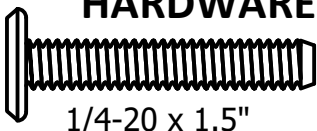
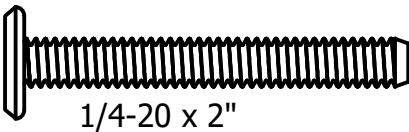
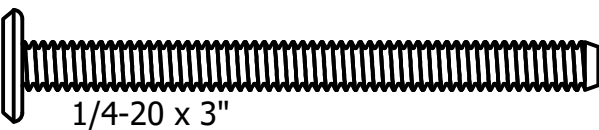
Rocking Chair

Assembly Guide



*Actual Style May Vary from the One Pictured in this Guide

HARDWARE INCLUDED

- A**  Qty: 2
1/4-20 x 1.5"
- B**  Qty: 4
1/4-20 x 2"
- C**  Qty: 4
1/4-20 x 3"

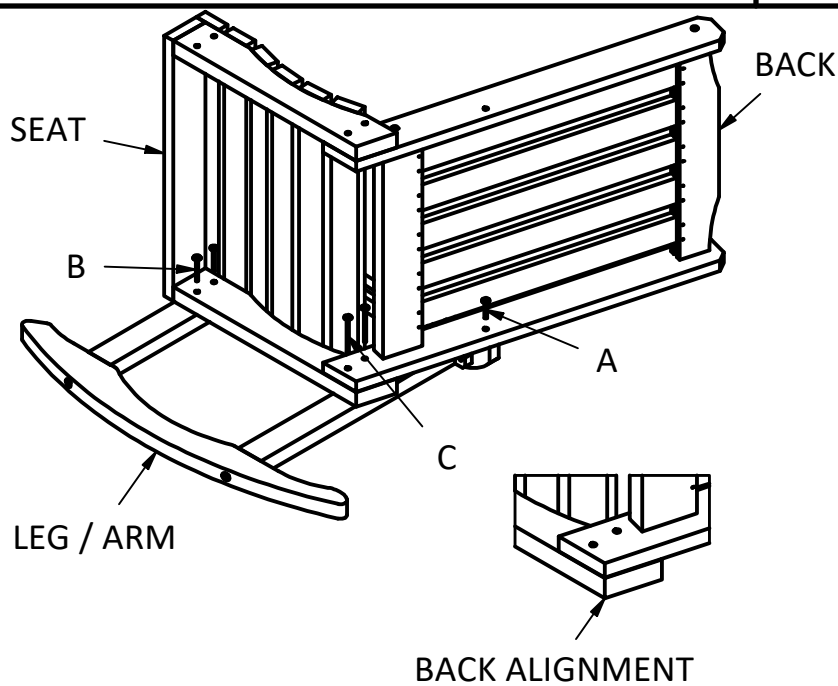
TOOLS INCLUDED



5/32" HEX KEY

IMPORTANT!

DO NOT fully tighten bolts until all bolts are started.



1) Attach Seat to Leg/Arm using (2) B bolts and (2) C bolts. (Align Back as shown for C bolts)

2) Attach Back to Leg/Arm using (1) A bolt

3) Repeat on other Side.

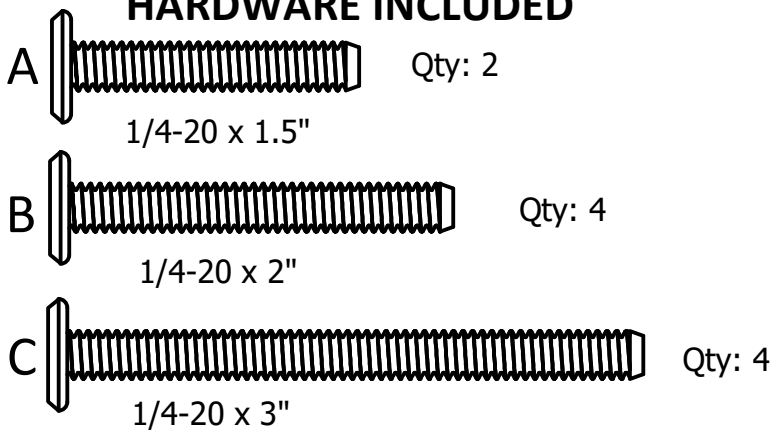
Rocking Chair

Assembly Guide

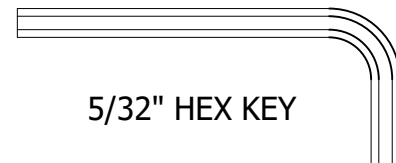


*Actual Style May Vary from the One Pictured in this Guide

HARDWARE INCLUDED

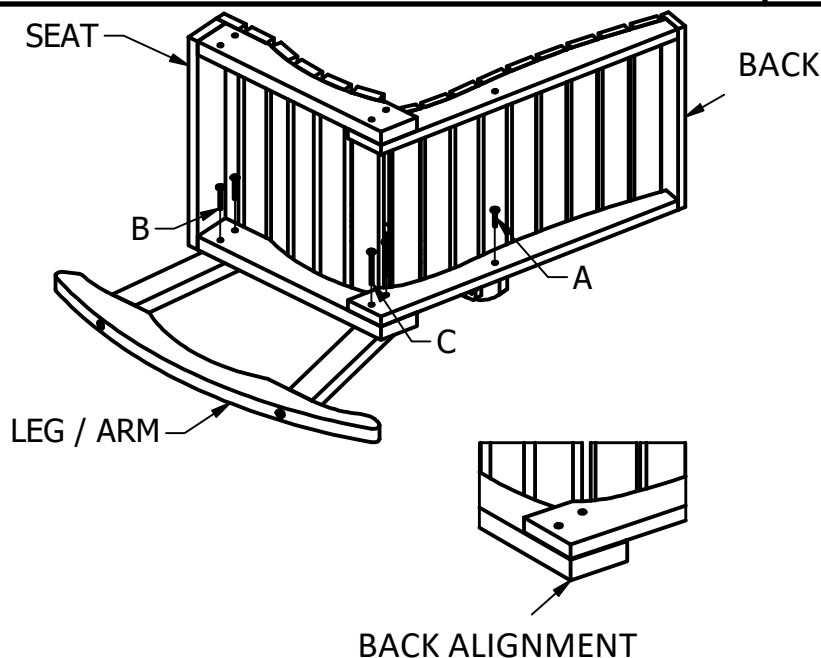


TOOLS INCLUDED



IMPORTANT!

DO NOT fully tighten bolts until all bolts are started.



- 1) Attach Seat to Leg/Arm using (2) B bolts and (2) C bolts. (Align Back as shown for C bolts)
- 2) Attach Back to Leg/Arm using (1) A bolt
- 3) Repeat on other Side.