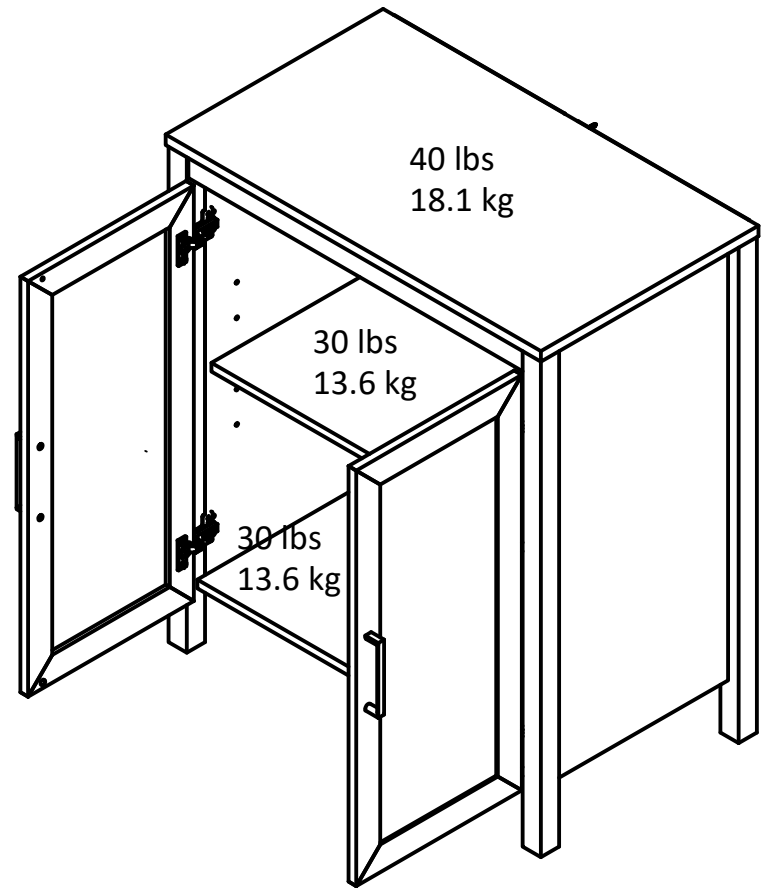


Interior Storage dimensions:
 (2) storage spaces (adjustable heights)
 27.50 in. (69.8 cm) W
 30.50 in. (77.4 cm) H
 16.90 in. (43.0 cm) D
 8.20 cubic feet each

Overall Product Size:
 30.71"W x 17.80"D x 35.98"H
 78.0cm W x 45.2cm D x 91.4cm H

Wood Breakdown: 95%
 Total storage: 8.20 cubic feet

Adjustable Shelf peg holes
 are 2.5 in (6.4cm) spacing.



Maximum Weight Capacities
 Unit Weight: 55 lbs. (25 kg)