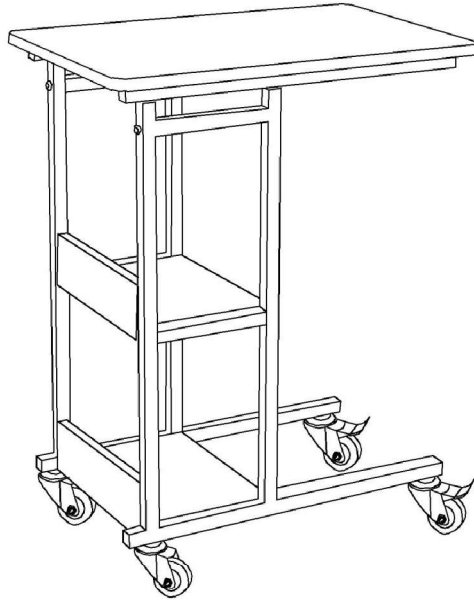





Assembly Instructions

Caution: ●You must read this before you proceed.

Laptop Table



Parts List

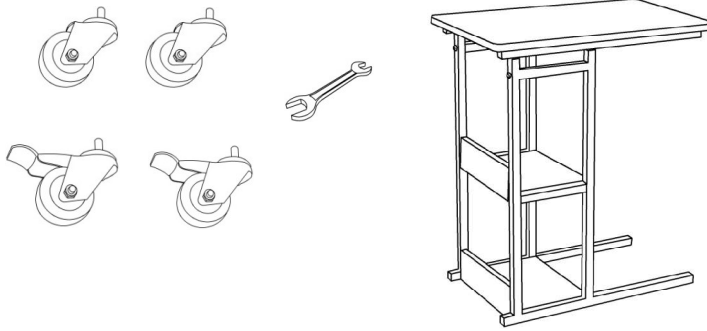
Label	Picture	Description	QTY
A		TABLE	1
B		WHEEL (WITHOUT LOCK)	2
C		WHEEL WITH LOCK	2






Hardware

Label	Picture	Description	QTY
①		SPANNER 13mm	1

Assembly Preparation

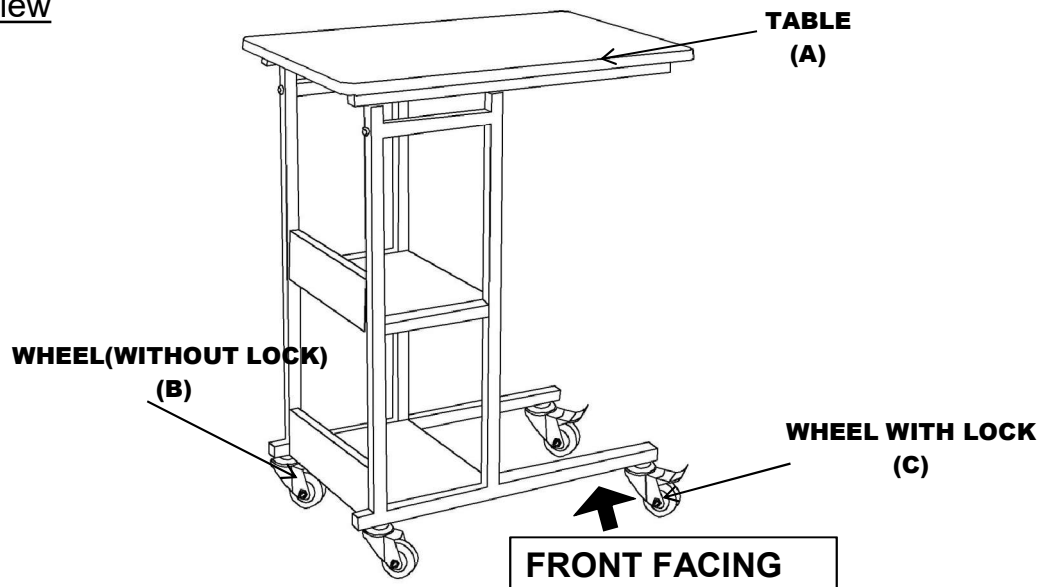
Before Beginning Assembly :



-  • Read instructions, cover to cover-
-  • Have 2 adults on hand for assembly-
-  • Do not assemble on flooring or carpet-
-  • Assemble on a clean non-marring surface (packing foam)-
-  • Save all packaging until finished-

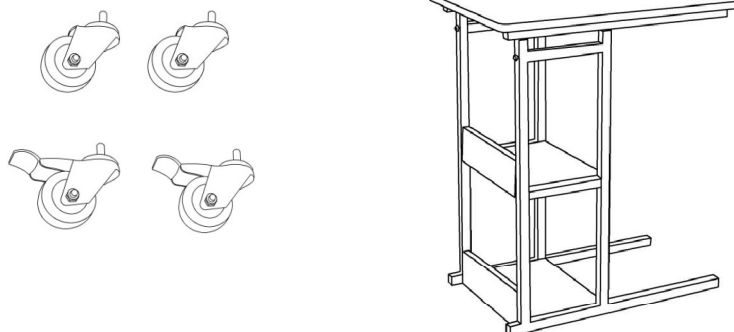
Assembly Steps

Overview



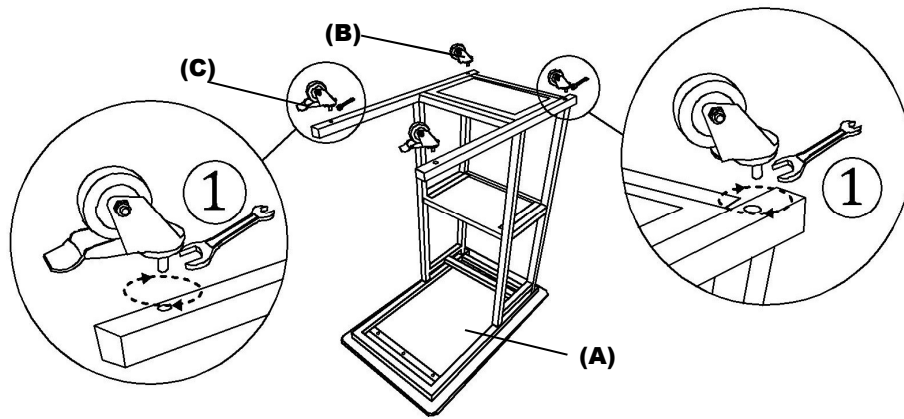
This Laptop Table has multiple parts and may require up to some 30 minutes to assemble. To give you an overview of the Laptop Table, the above picture is to help you put the various parts into perspective. Please read through the instructions below to familiarise yourself with the parts and steps before assembly.

Step 1



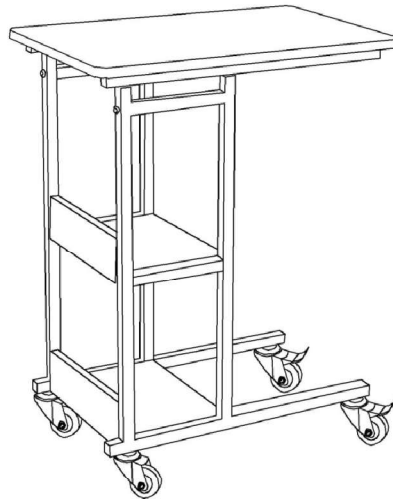
Unpack and place all parts on a clean, non-marring surface.

Step 2














Keep the TABLE(A) inverted on the clean surface and bottom facing the top then place the WHEEL(WITHOUT LOCK)(B) on designated points at back side of TABLE(A) as shown above and tighten it by using Spanner(①). Repeat the same process with other WHEEL L(WITHOUT LOCK)(B) AND WHEEL WITH LOCK (C).

Step 3



Place the Laptop Table on a LEVEL SURFACE.
Inspect it and make sure all parts are adequately connected.
Turn the Laptop Table in a synchronised manner.
CAUTION 1: When tightening these WHEELS, tighten sequentially.
WARNING!! IF LAPTOP TABLE IS NOT STABLE , IT COULD LEAD TO DAMAGING THE PRODUCT.
Ensure all WHEELS are fully locked into position.
The Laptop Table is ready to be used.
CAUTION 2: This Laptop Table can only be used on a flat, level surface.

Care & Maintenance

- ✓  ● Furniture may scratch floors. We recommend using furniture pads to protect your floors.
- ⊘  ● Do not put hot items directly on furniture surface.
- ⊘  ● Do not clean furniture with harsh cleansers or polish.
- ⊘  ● Do not place furniture under direct sunlight.
- ⊘  ● Do not place furniture near heating or cooling vents.
- ⊘  ● Do not write on furniture without a padded barrier to protect the surface.
- ⊘  ● Do not place furniture outside . For indoor use only.
- ⊘  ● Not for commercial use. For residential use only.
- ⊘  ● Stains may be removed with mild soap solution and damp cloth.
- ⊘  ● Children should not climb or jump on the furniture.
- ✓  ● Dust and pick-up spills using a clean, non-colored, lint-free cloth.