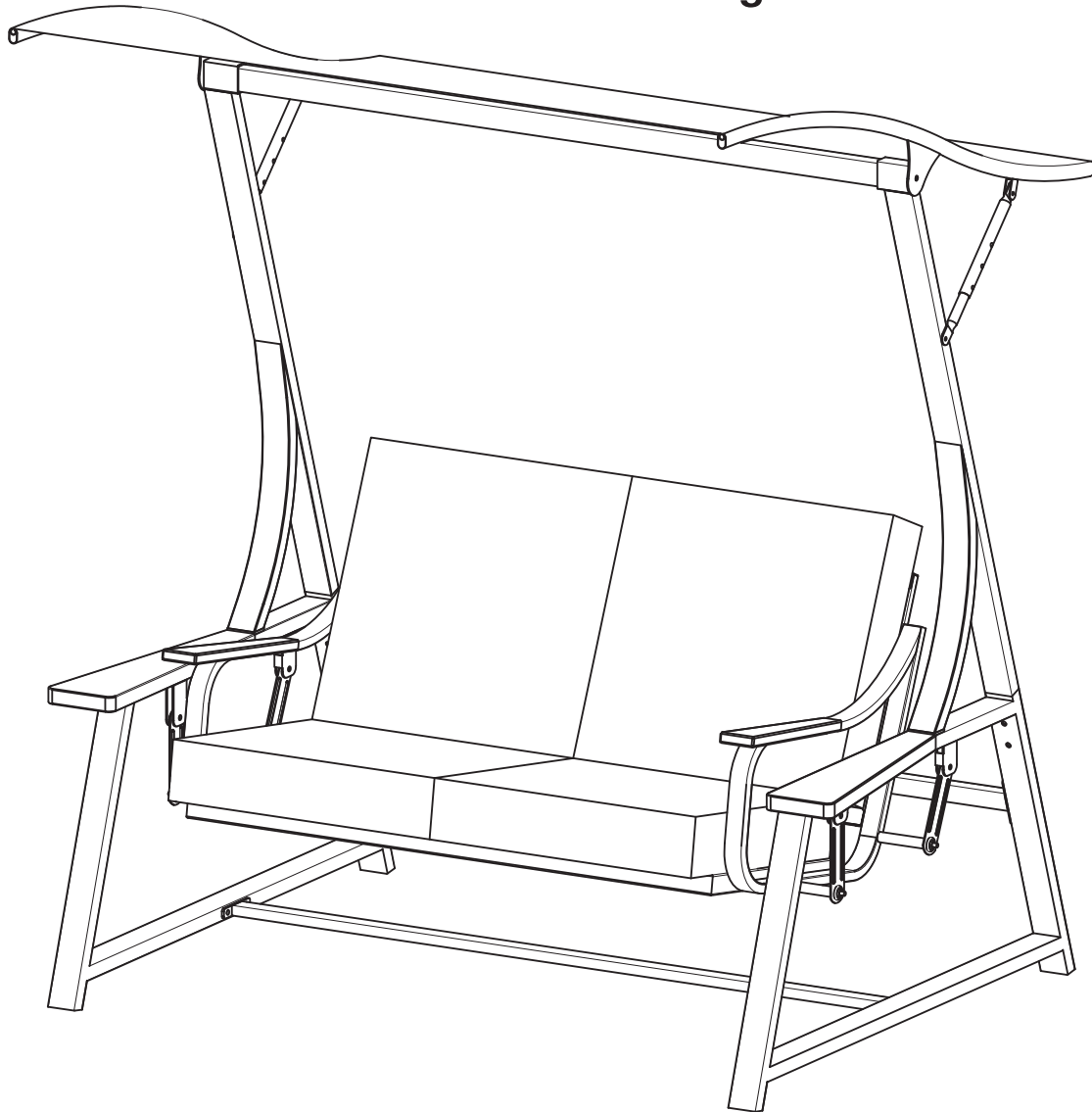


Assembly Instructions

2 Seat Glider Swing



Questions, problems, missing parts? Before returning to the store,
call our customer service

THANK YOU

We appreciate the trust and confidence you have placed in us through the purchase of this futon swing. We strive to continually create quality products designed to enhance your home. Thank you for your purchase!

Table of Contents

Table of Contents	2	Assembly.....	5
Safety Information	2		
Warranty	2		
What is Covered	2		
What is Not Covered	2		
Pre-assembly.....	3		
Planning Installation	3		
Tools Required	3		
Hardware Included.....	3		
Package Contents	4		

Safety Information



WARNING: Protective eyeglasses are recommended during assembly.



WARNING: Use proper caution when swinging. Gentle swinging is recommended. Do not leave young children alone on the swing.



WARNING: Two or more people are needed to assemble the swing and to move the swing.



WARNING: Maximum weight capacity of the swing is 400 lbs.



WARNING: Assemble and place the swing at least 6 ft. away from any obstructions, such as fences, walls, grills, tree branches, and electrical wires.



CAUTION: Assemble and locate the swing on level ground.



WARNING: Tighten all nuts, bolts, and components during assembly and periodically during use.



CAUTION: Lubricate all moving parts during periods of use.

Warranty

1 YEAR FRAME AND FABRIC WARRANTY

WHAT IS COVERED

We warrant the frame and fabric to be free of manufacturing defects to the original purchaser for one year.

WHAT IS NOT COVERED

This warranty does not cover commercial use, hardware, acts of nature, fire, freezing and abusive use and in addition, parts purchased subsequently are not covered by this warranty.

Pre-assembly

PLANNING ASSEMBLY

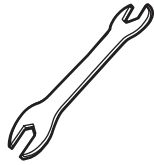
Check the product package to ensure all hardware and package contents are included.

Please read all instructions thoroughly before assembling the swing.

TOOLS REQUIRED



M6 Allen Wrench
(#1)(Included)

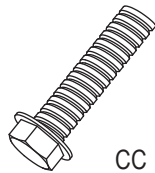
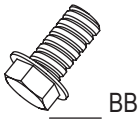
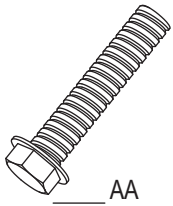


Hex Wrench x 2
(#3)(Included)

HARDWARE INCLUDED



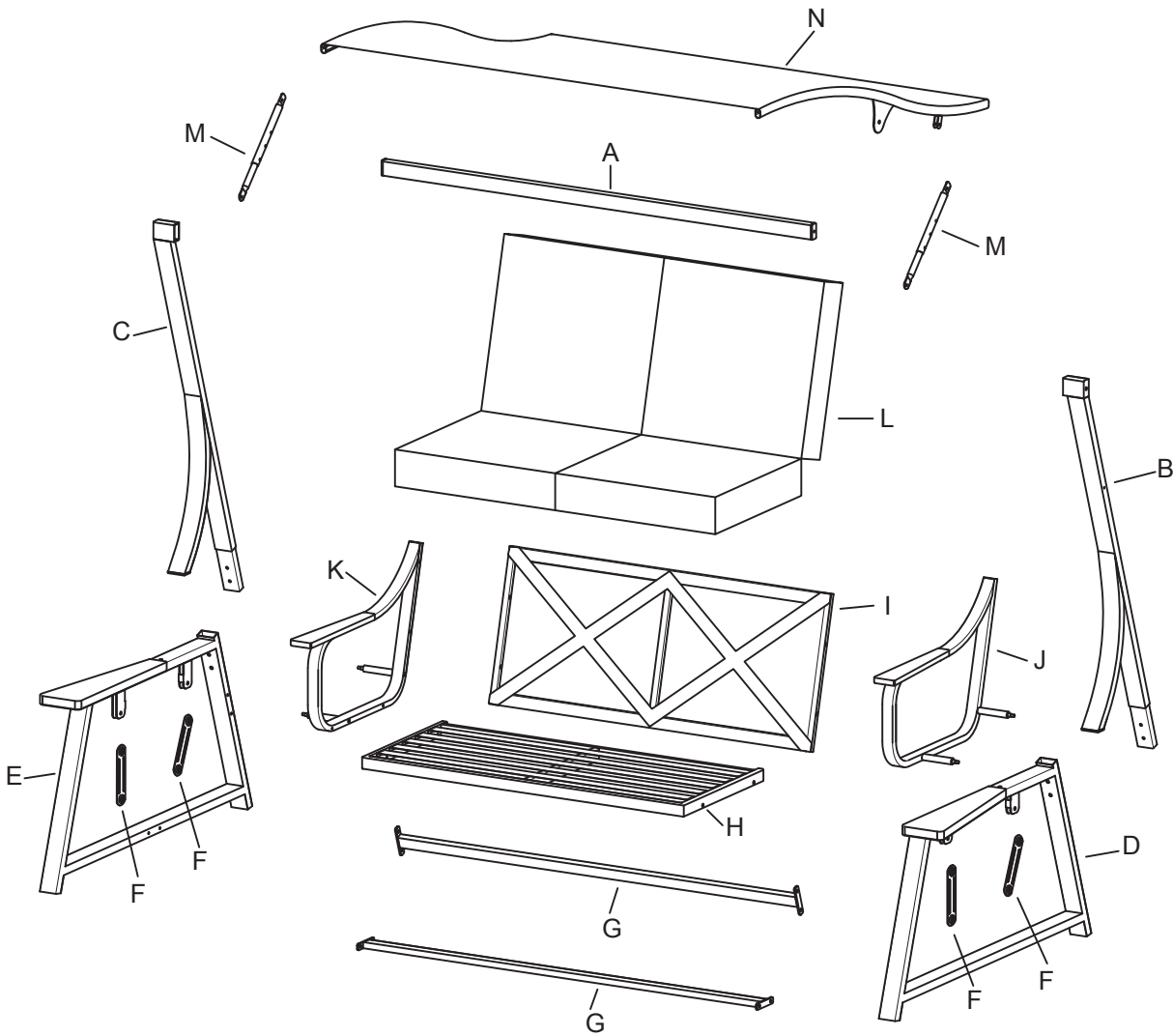
NOTE: Hardware not shown to actual size.



Part	Description	Quantity
AA	Bolt M8x40 Hex Head	4
BB	Bolt M8x16 Hex Head	12
CC	Bolt M8x30 Hex Head	12
DD	Bolt M6x16 Round Head	4
EE	Locknut	8
FF	Plastic washer	4
GG	M6 capnut	2

Pre-assembly (continued)

PACKAGE CONTENTS



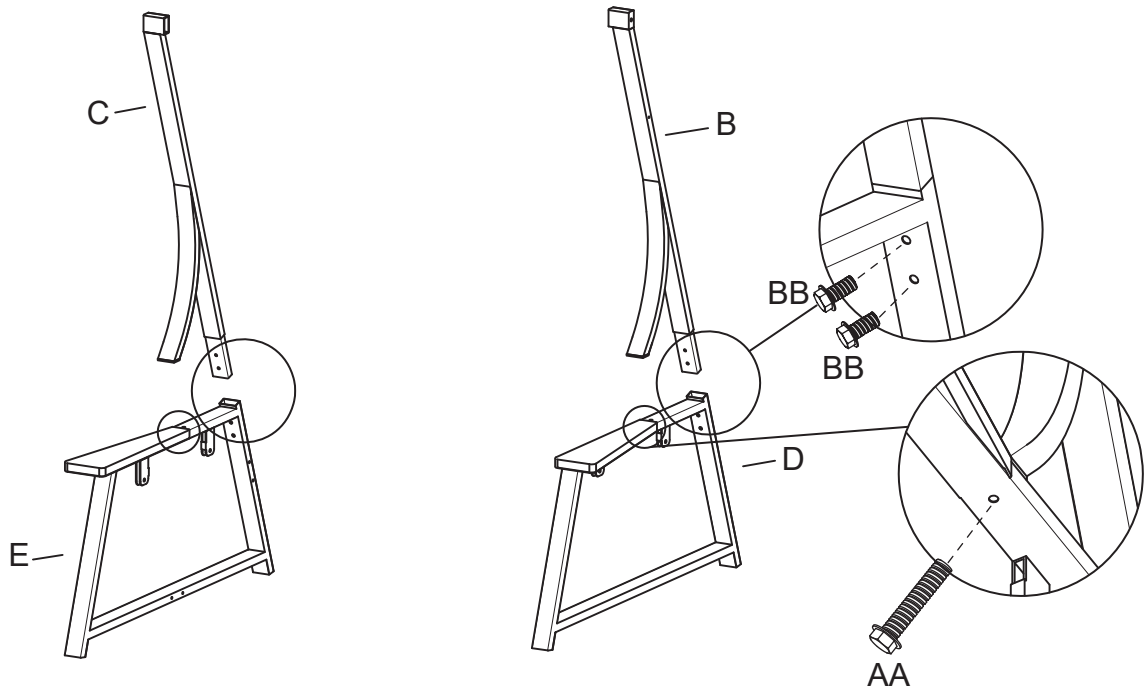
Part	Description	Quantity
A	Top cross bar	1
B	Left leg tube	1
C	Right leg tube	1
D	Left side table	1
E	Right side table	1
F	Swing arm	4
G	Connecting tube	2

Part	Description	Quantity
H	Seat frame	1
I	Back frame	1
J	Left arm & armrest	1
K	Right arm & armrest	1
L	Cushion	1
M	Canopy adjustment tube	2
N	Canopy	1

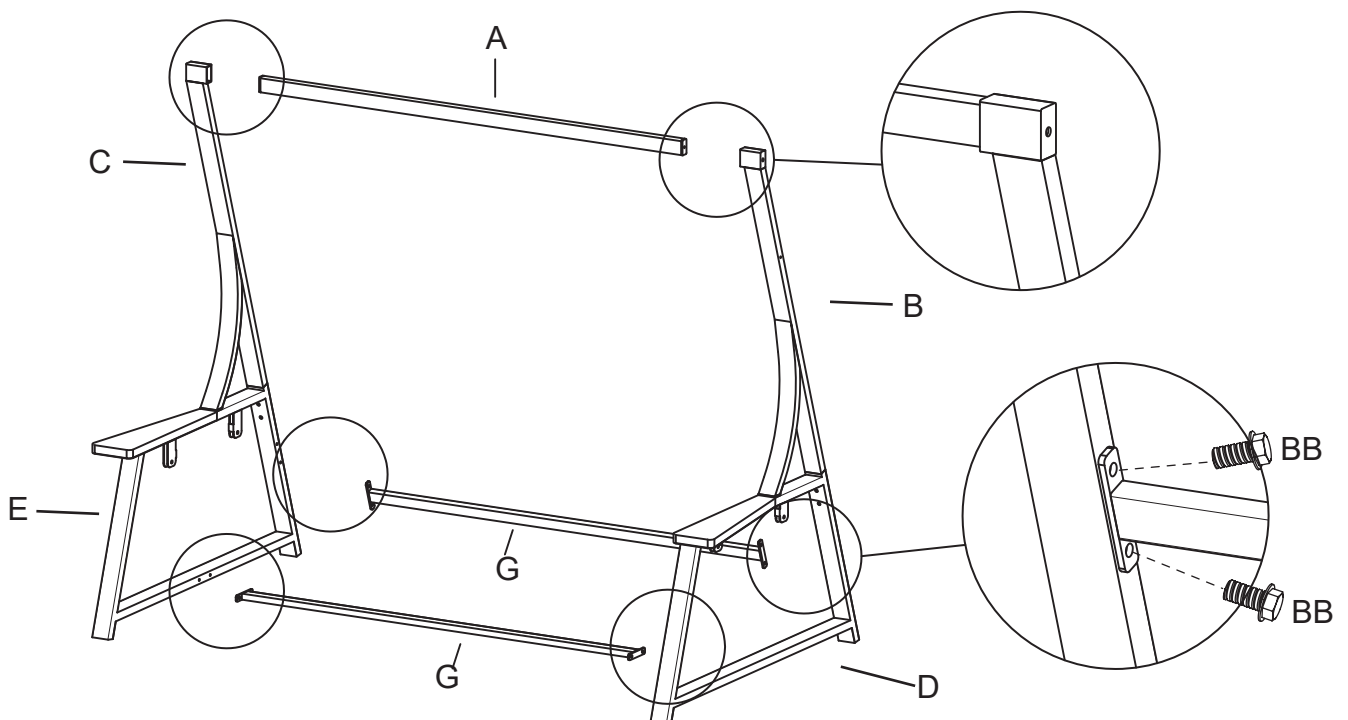
Assembly

1. Assembling the Metal Structure

- Attach the left leg tube (B) to the left side table (D) with bolt M8x16 hex head (BB) and bolt M8x40 hex head (AA).
- Attach the right leg tube (C) to the right side table (E) with bolt M8x16 hex head (BB) and bolt M8x40 hex head (AA).



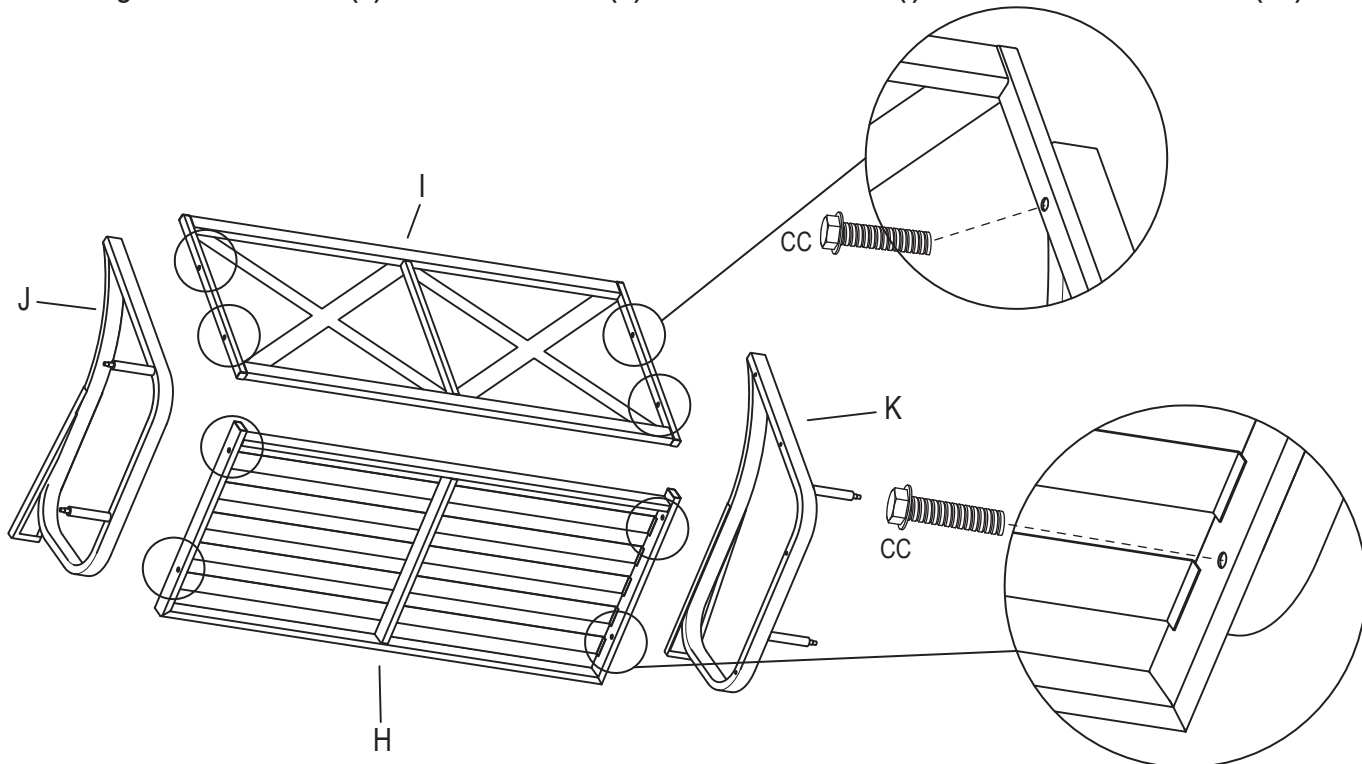
- Attach two connecting tubes (G) to the left side table (D) and the right side table (E) with bolt M8x16 hex head (BB).
- Insert the top cross bar (A) to the left tube leg (B) and right tube leg (C).



Assembly (continued)

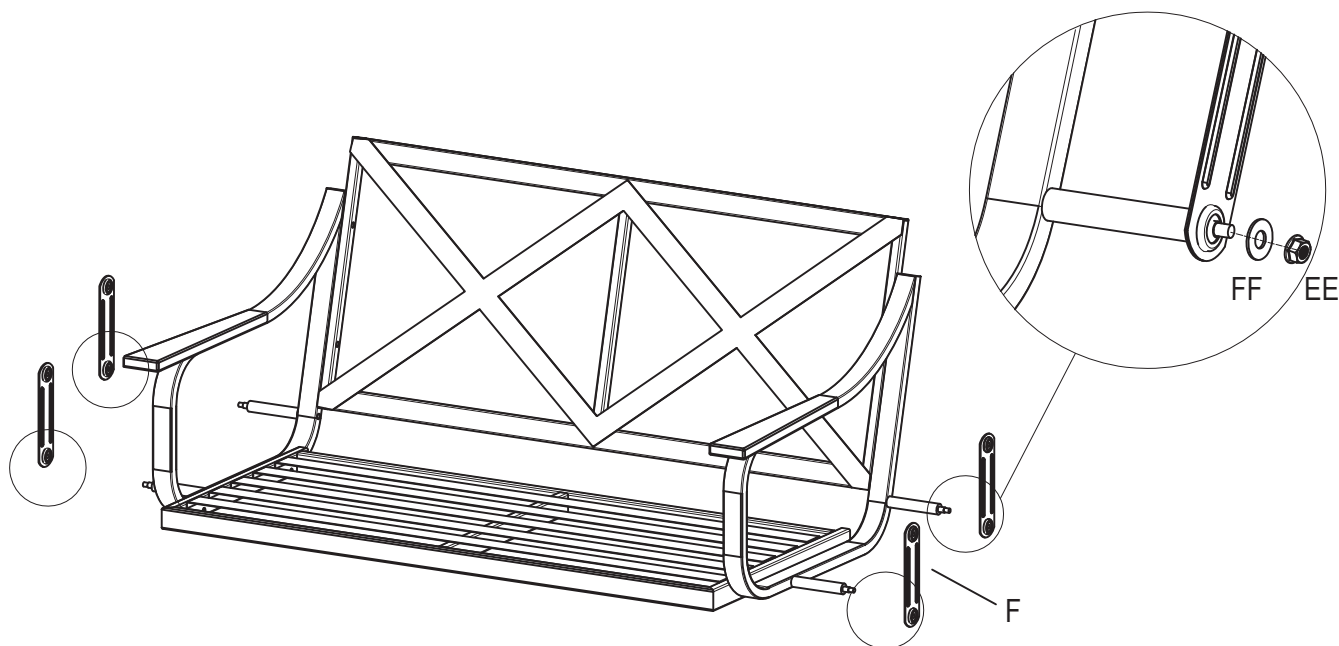
2. Assembling the seat

- Attach the left arm & armrest (J) to the seat frame (H) and the back frame (I) with bolt M8x30 hex head (CC).
- Attach the right arm & armrest (K) to the seat frame (H) and the back frame (I) with bolt M8x30 hex head (CC).



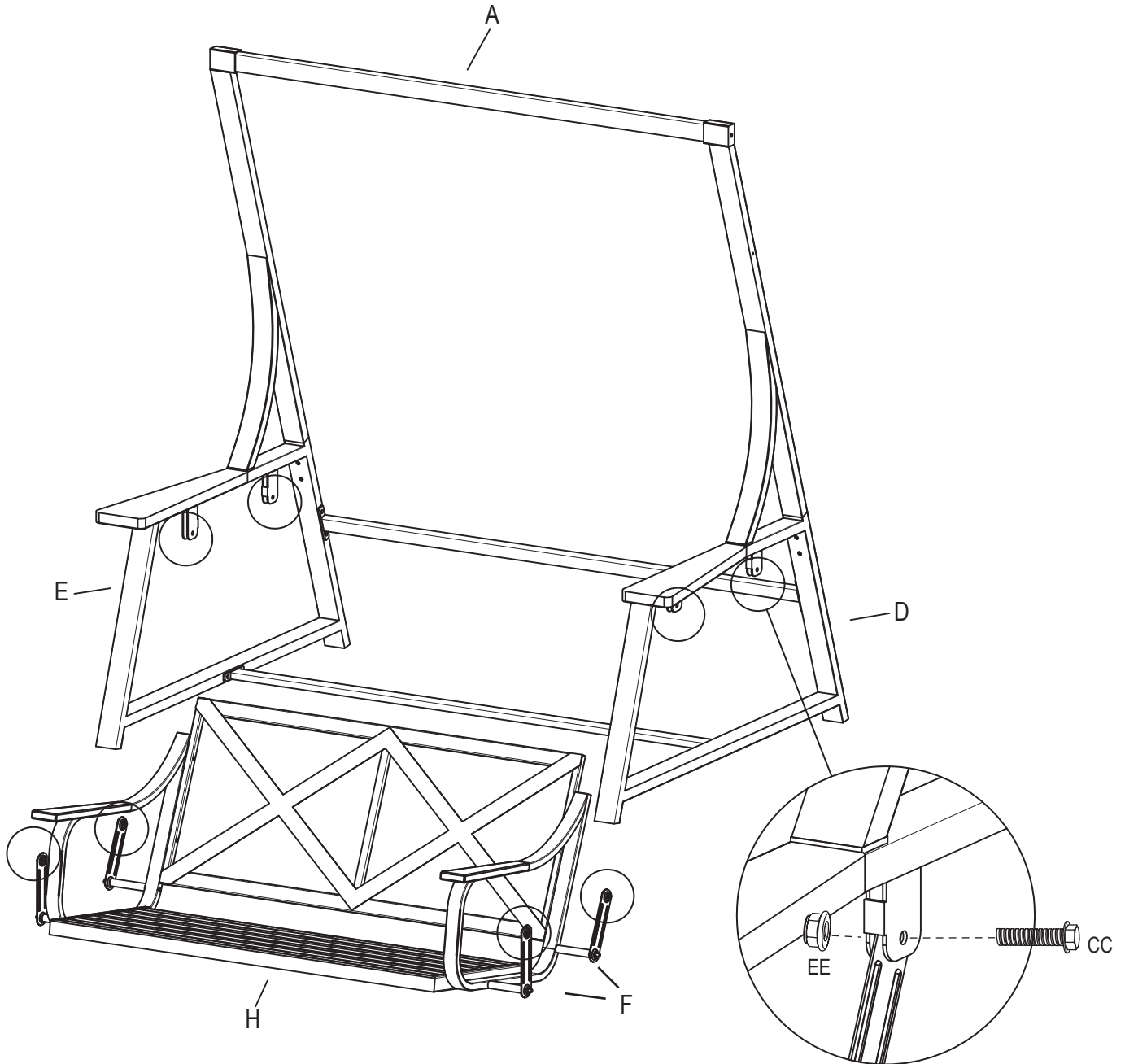
3. Assembling the swing arms

- Attach the swing arms (F) to the left arm & armrest (J) with lock nuts (EE) and plastic washers (FF).
- Attach the swing arms (F) to the right arm & armrest (K) with lock nuts (EE) and plastic washers (FF).



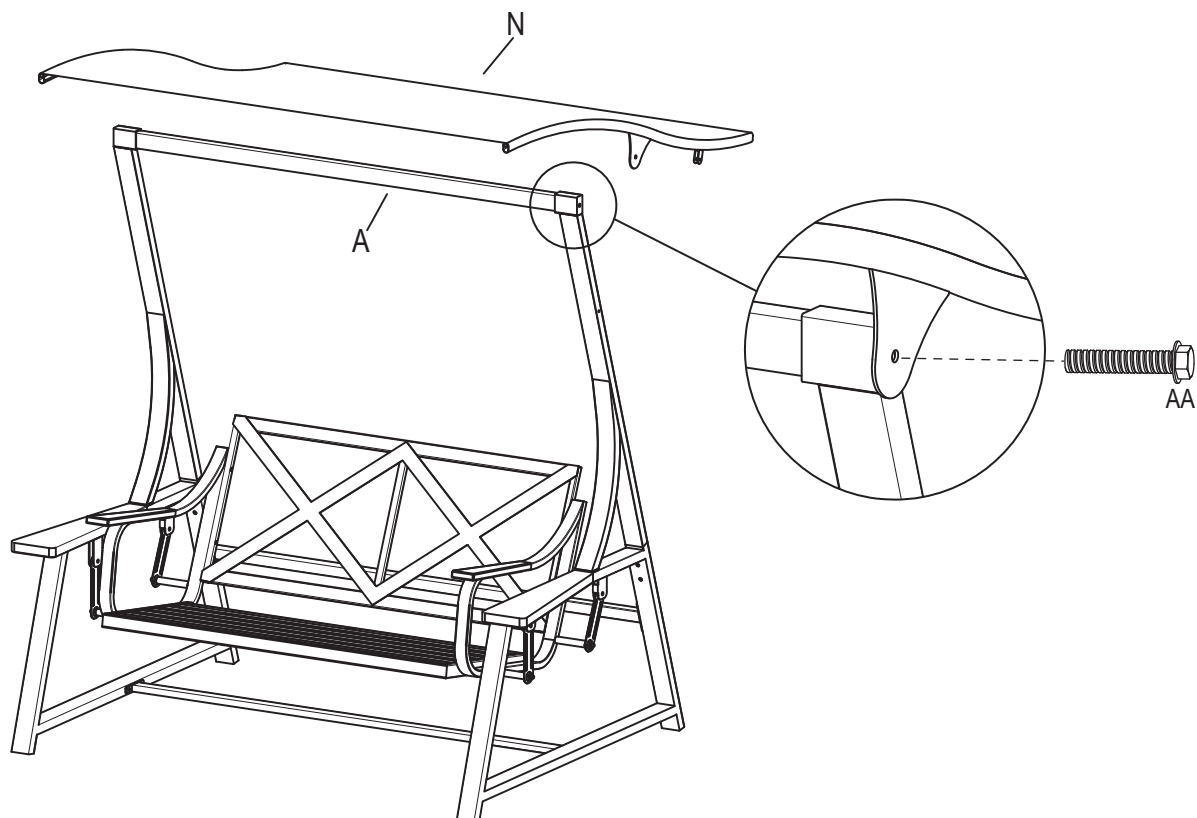
Assembly (continued)

- Attach swing arms (FF) to the left side table (D) bolt M8x30 hex head (CC) and the locknut (EE).
- Attach swing arms (FF) to the right side table (E) bolt M8x30 hex head (CC) and the locknut (EE).

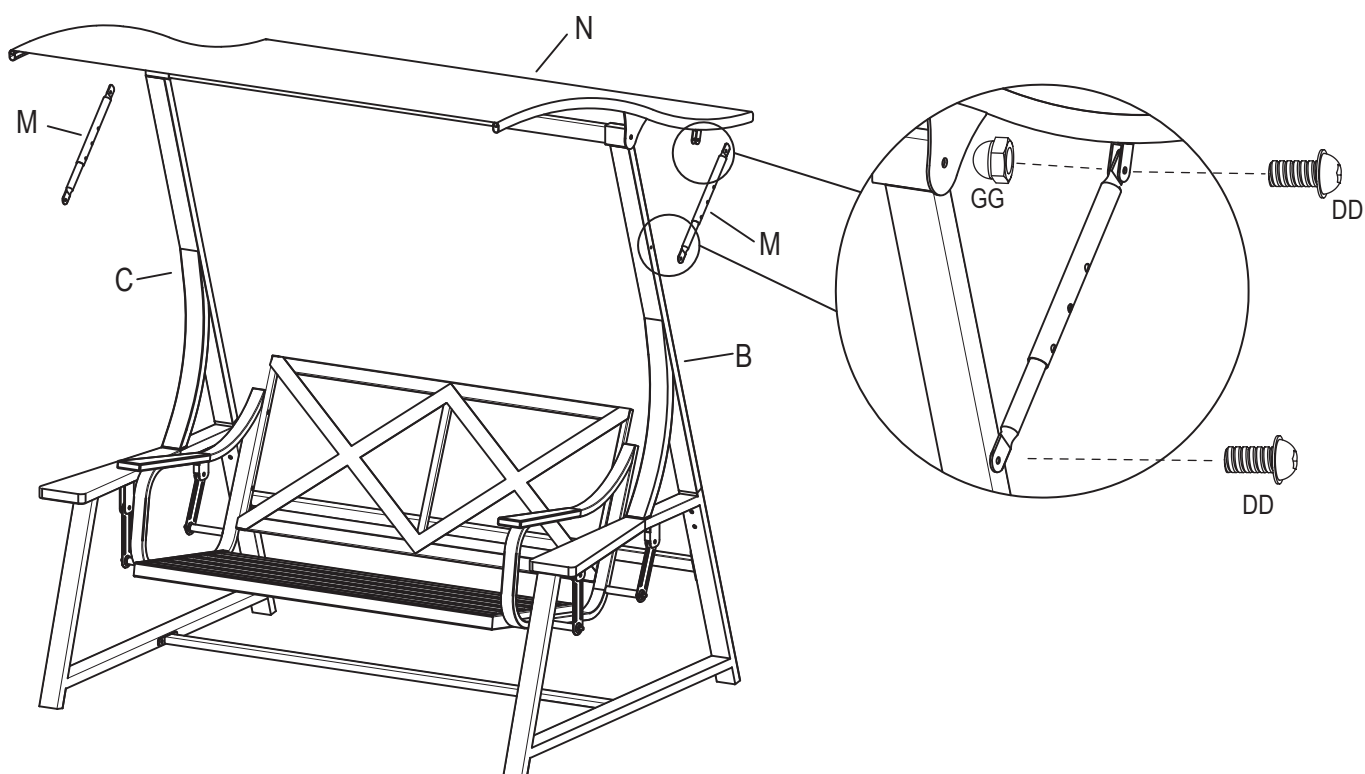


Assembly (continued)

- Stretch the canopy (N) and attach it to the top cross bar (A) with bolt M8x40 hex head (AA).

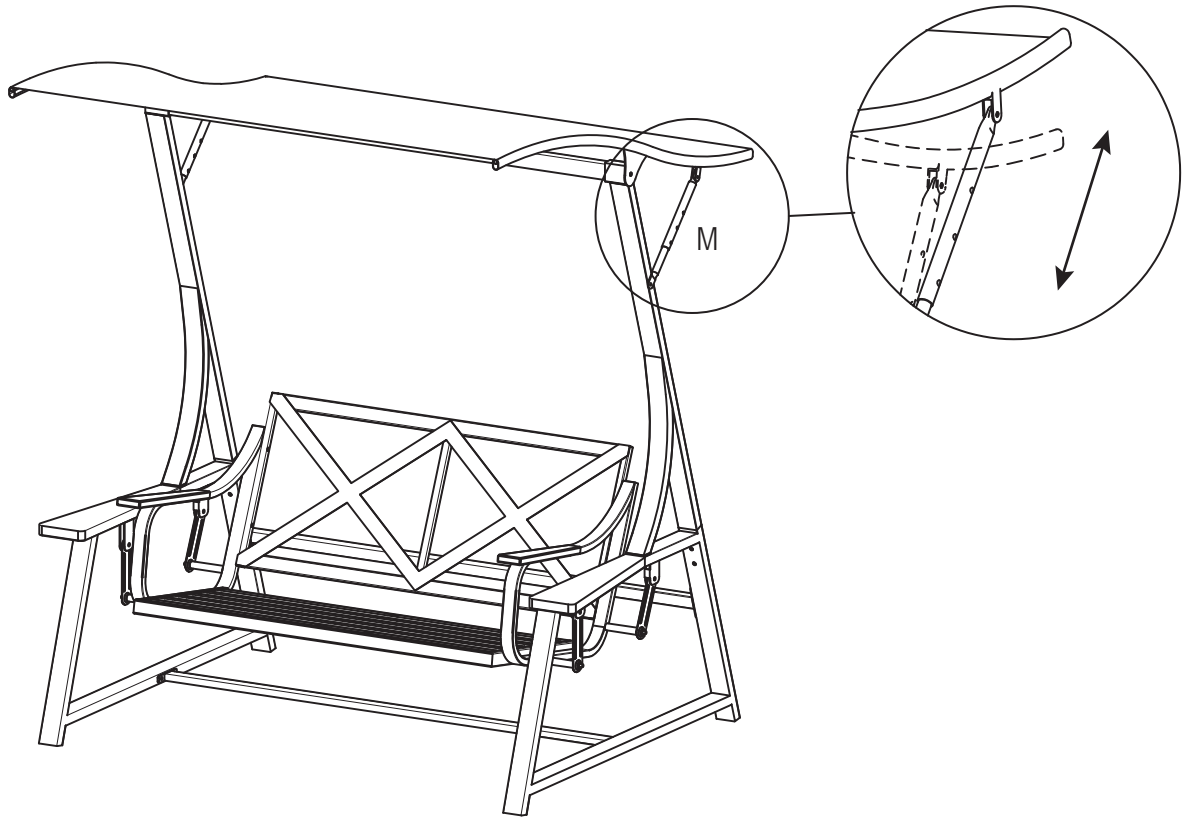


- Attach the canopy adjustment tubes (M) to the canopy (N) with bolt M6x16 round head (DD) and the M6 cap nut (GG).
- Attach the canopy adjustment tubes (M) to left & right leg tubes (B & C) with bolt M6x16 round head (DD).



Assembly (continued)

- Push the pin on the canopy adjustment tube (M) to adjust the canopy angle repeat other side.



5. Installing the Cushion

- Attach the cushion (L) to the seat & back frame (H & I) by securing the velcro straps. Your 2 Seat Glider Swing is ready to use.

