

Bathroom Cabinet

Dimension: 20*18*80cm

Tips!

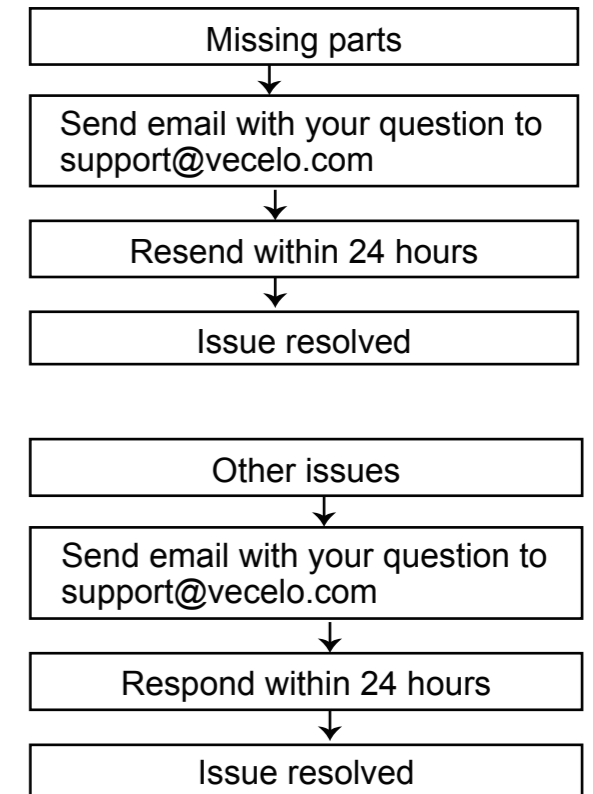
Check all the components & screws before assembly. **Do not install in case part is missing, contact us to get.** Send email with your question to support@vecelo.com. We will resend within 24 hours.

Return Policy

We believe you will absolutely love your new item. But if for some reason you want to return, please contact us directly before you decide to return your product. Our customer service organization can answer most concerns and assist you with any questions you may have about your new item, please email us first at: support@vecelo.com.

The item must be returned within 30 days of delivery for a full refund. The item must be returned in good condition, in original box, with all original proof of purchase, parts and accessories.

Trouble shooting:

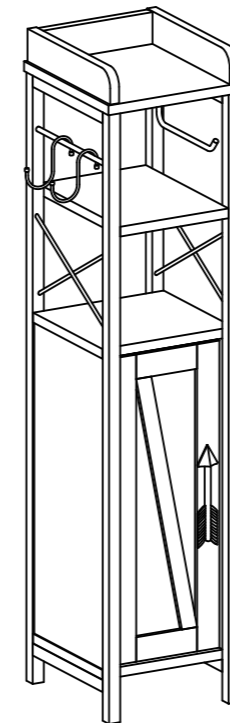


We control manufacturing and distribution ourselves, ensure the quality.

How to find us?

Email: support@vecelo.com

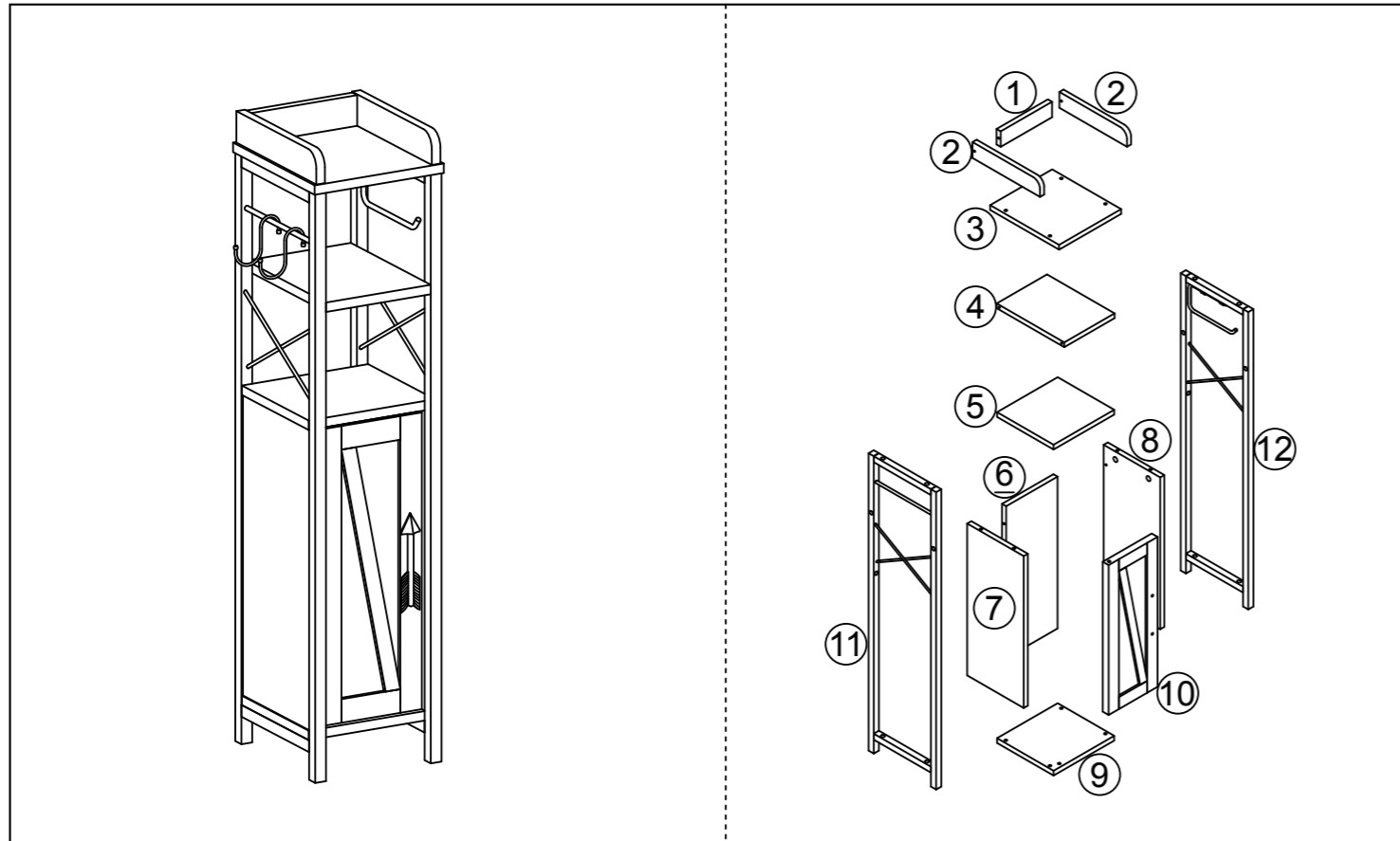
Website: www.vecelo.com



Item Description: Bathroom Cabinet

Dimension: 20*18*80cm

Model NO: JYX-NO.1

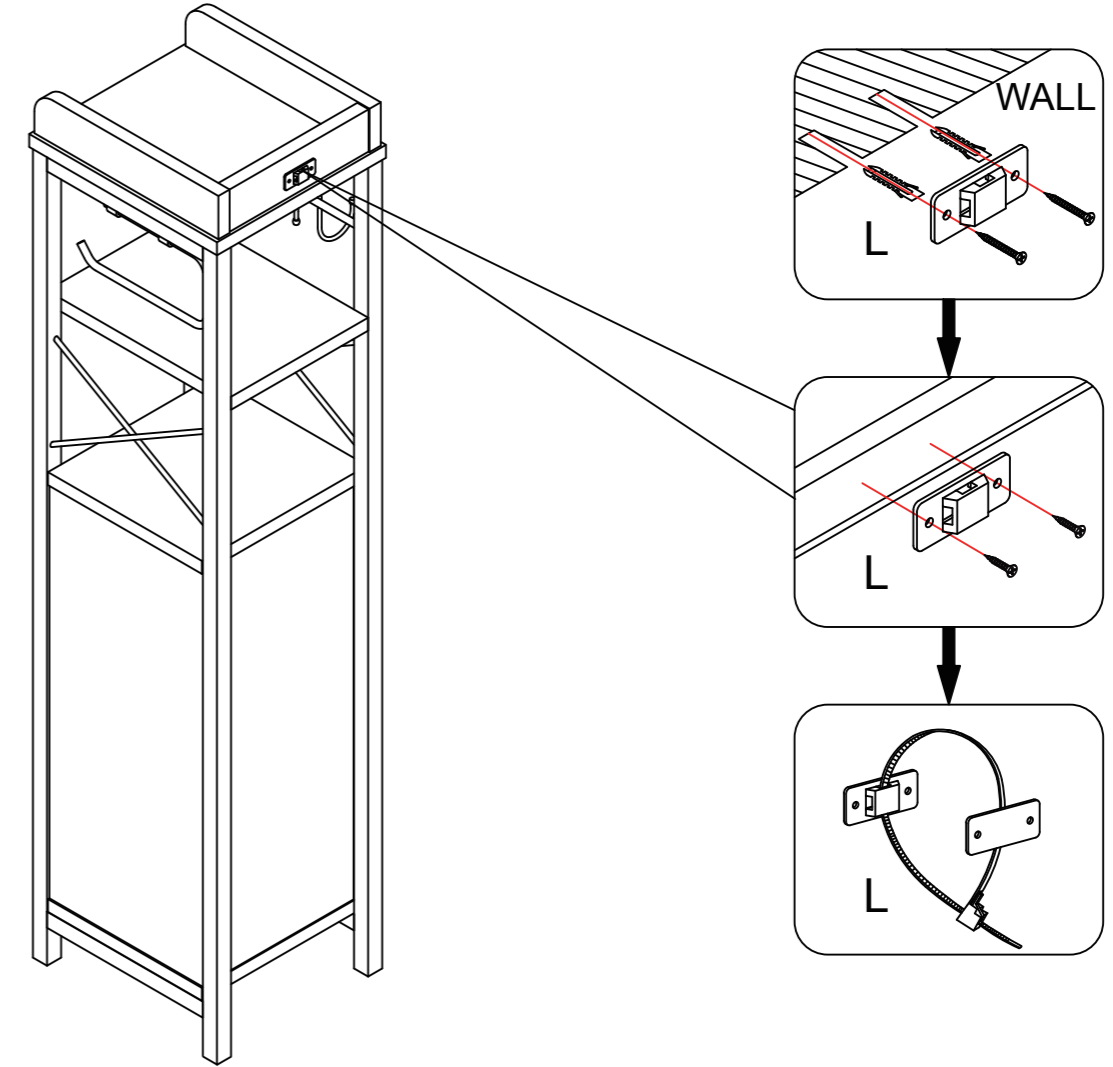


Components					
1		1	2		2
3		1	4		1
5		1	6		1
7		1	8		1
9		1	10		1
11		1	12		1

Screws&Tools					
A		8	B		8
C		8	D		2
E		2	F		1
G		2	H		1
I		2	J		2
K		2	L		1
		1			

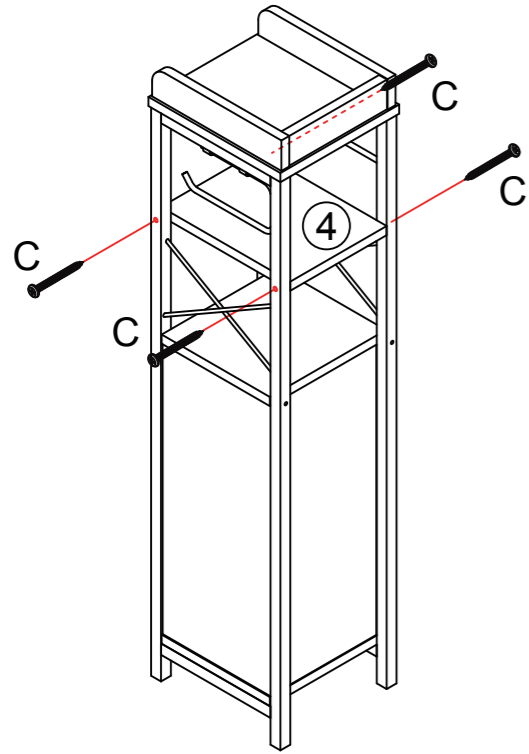
Step 15

Check and tighten all screws



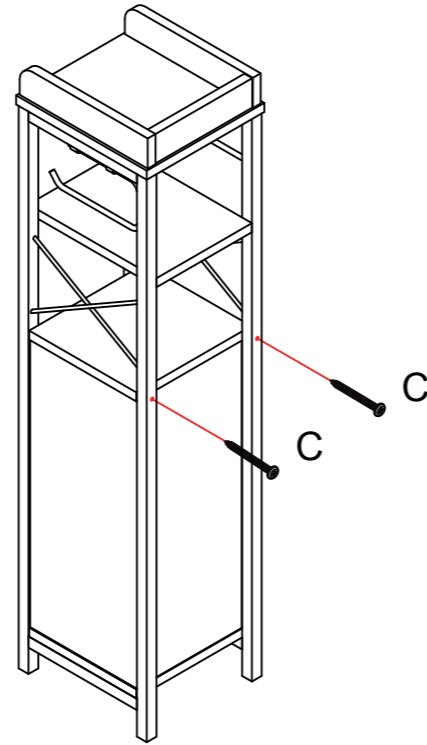
Step 11

Cx4



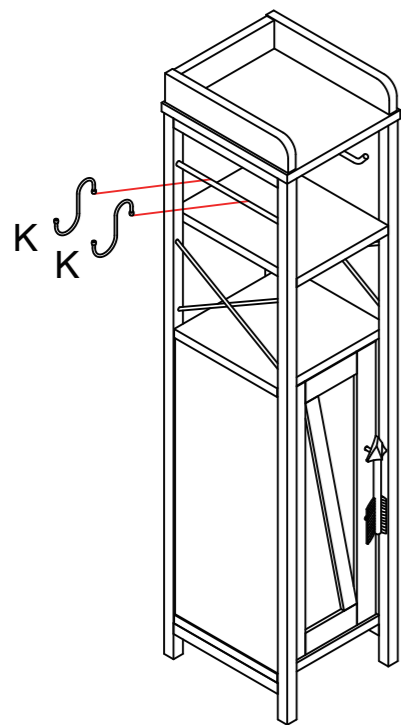
Step 12

Cx2

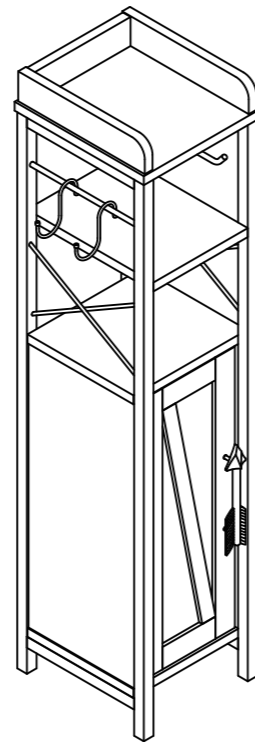


Step 13

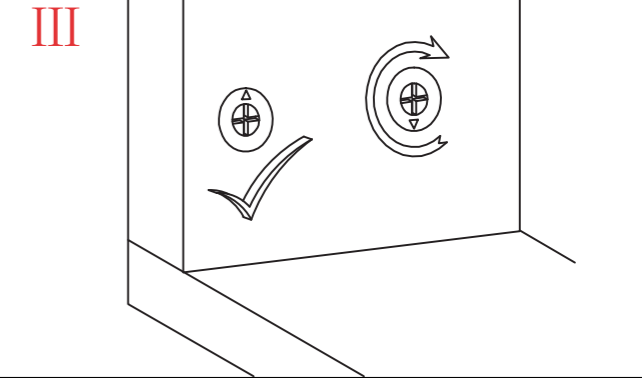
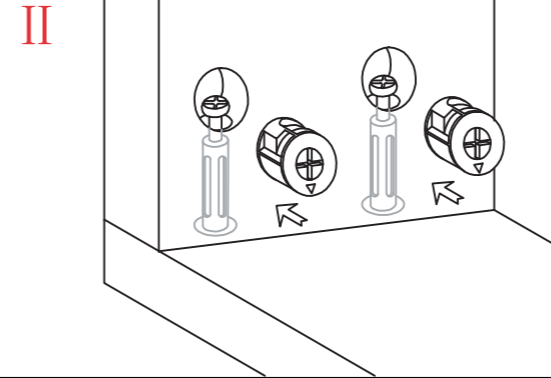
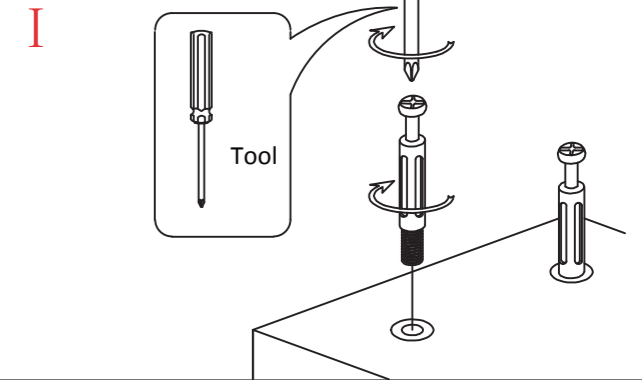
Kx2



Step 14



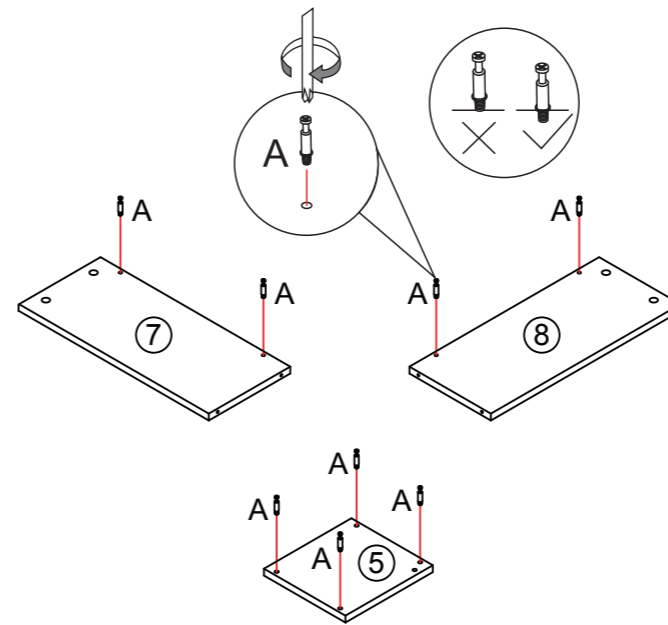
"A&B" Hardware Assembly example



Step 1

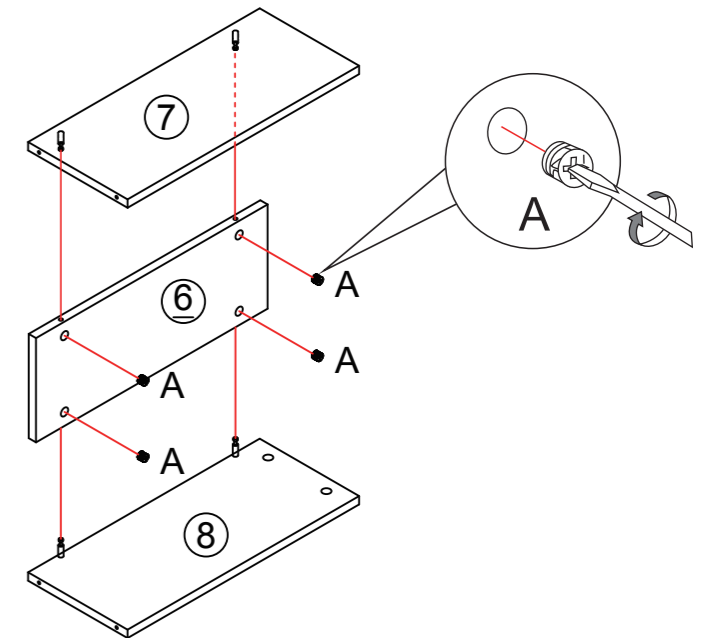
Ax8

NOTICE: Mind the directions of the groove while installation.

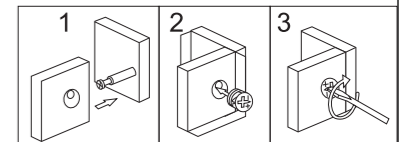


Step 2

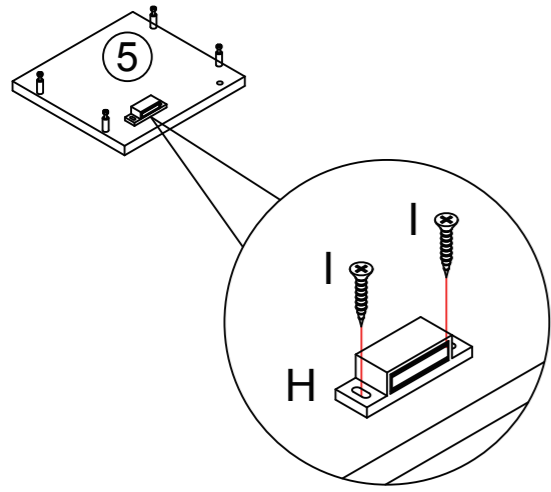
Ax4



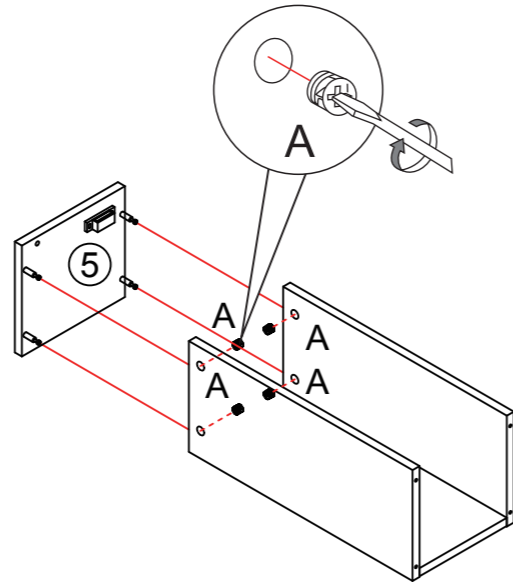
Cam Lock Fastening System



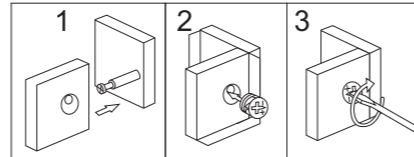
Step 3



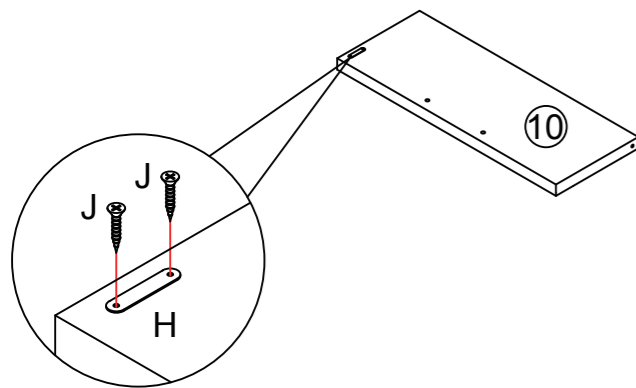
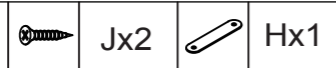
Step 4



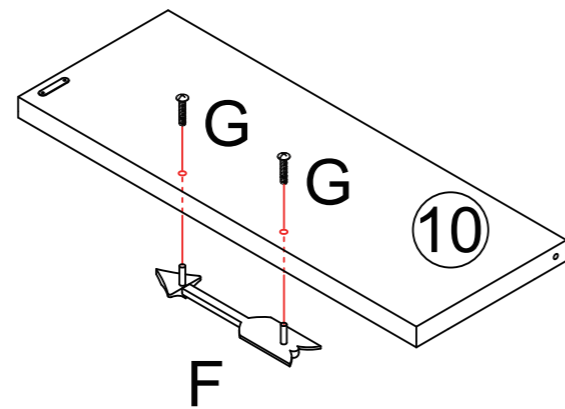
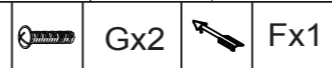
Cam Lock Fastening System



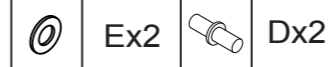
Step 5



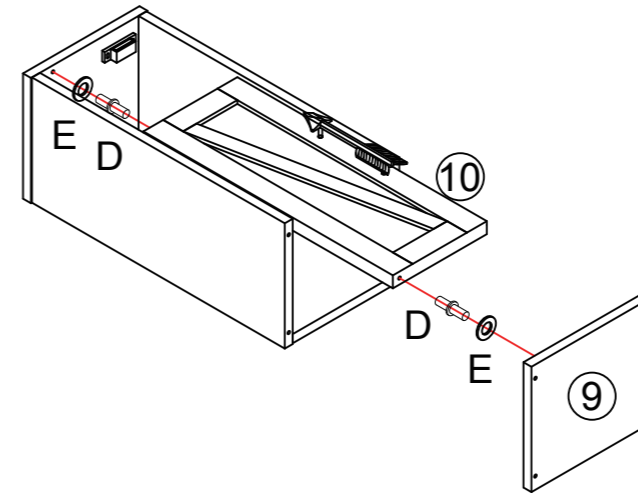
Step 6



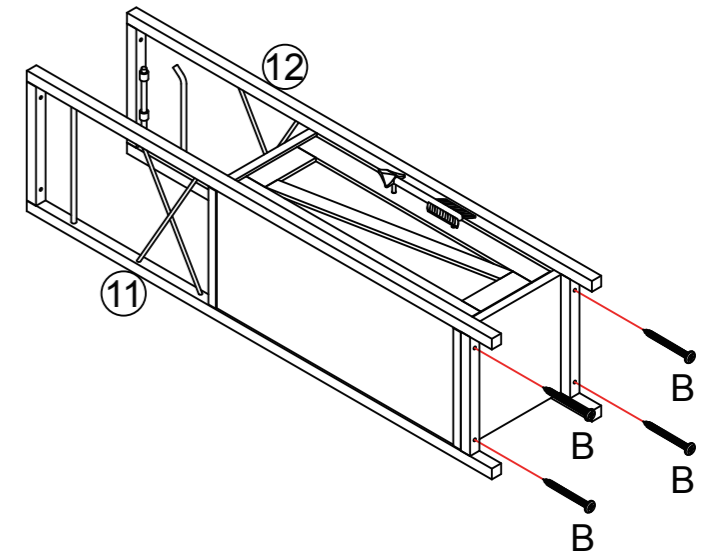
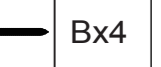
Step 7



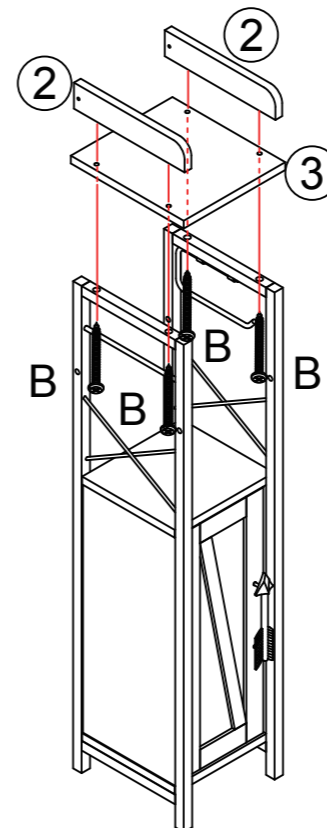
NOTICE: From step 6 to step 7, please turn the board #10 around.



Step 8



Step 9



Step 10

