



Manuals & Installation Guides

Electric Heater

1500W



Email: support@flexpatio.com

Phone: +1 213-456-9168

Website: www.flexpatio.com

Table of Contents

Table of Contents..... 2

Safety Information..... 3

Pre-installation..... 4

Tools Required..... 4

Recommended Tools..... 4

Instruction Manual 5-6

Included parts..... 7

Installation Instructions..... 8-12

Help Center..... 13

Installation qualification requirements

- Must be installed in collaboration with 1-2 or more healthy adults
- Expertise in frame construction and strict adherence to specifications required (local contractor recommended)
- Prohibition of one-person installation work (to prevent the risk of falling)

Pre-installation inspection

- Verify that all parts are intact (Contact support@flexpatio.com for missing or damaged parts)
- Verify tool availability (specialized tools such as power drills)
- Verify local building code requirements (including structural/drainage/electrical standards)

Personal protection standard

- Eye protection: anti-impact goggles (anti-aluminum chip splash)
- Hand protection: industrial-grade cut-resistant gloves (thickness $\geq 2\text{mm}$)
- Respiratory protection: N95 mask

Site safety management

- Establishment of a 2-meter safety separation zone (no children/pets allowed)
- Parts management system implemented (immediate cleaning of floor screws)
- Column bases fully tightened (eliminate tripping risks)

Power tool operation

- Ensure safe and regulated use of power tools
- Monitor tool temperature to avoid overheating (continuous use ≤ 15 minutes)
- Wear insulated gloves

Pergola structural assembly requirements

- Prohibit any structural modifications (maintain original design)
- Double verification of connection tightness (torque values according to manual)
- Link the wires according to the specification of the manual

Extreme weather conditions

- Ice and snow: shutter operation prohibited (locked when temperature $\leq 0^{\circ}\text{C}$)
- Strong wind environment: Do not use if the maximum wind limit is exceeded
- Storm conditions: exceeding the maximum drainage slope is a cautionary use

Special risk avoidance

Louvers operation ban:

- Prohibition of hand intervention in the mechanical gap (keep a safety distance of 15 cm)
- Prohibition of roof loads exceeding the maximum load

Pre-installation

PLANNING INSTALLATION

To prevent damage, place all parts on a soft surface during assembly.
Tools required for assembly (not included): Allen wrench (included), hammer, screwdriver, stepladder, level and other safety items such as gloves, safety goggles and hardhat.

NOTE | Tools and protective articles below are not provided.

TOOLS REQUIRED



Safety goggles



Gloves



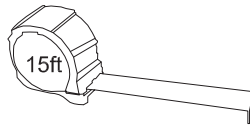
Hardhat



Level



8-Foot Ladder
(Must have 1 ladders.)

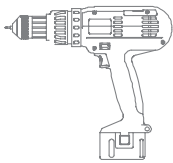


15-Foot
Tape measure

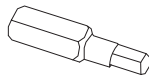


2 People

RECOMMENDED TOOLS



Cordless drill or drive
with 4mm Allen head bit



4mm
Allen or Hex bit

Preparation:

- Read this instruction manual carefully before installation and use. Keep this instruction manual in a proper and safe place for future use in case needed.

IMPORTANT INSTRUCTIONS :

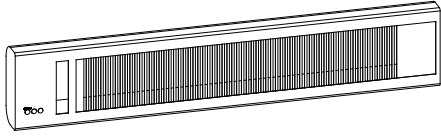

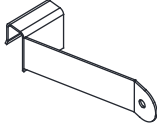
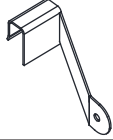
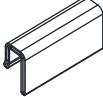


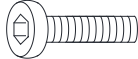
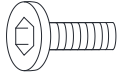
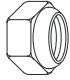

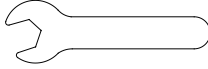

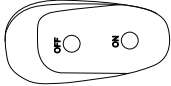
When using electrical appliances, basic precautions should always be followed to reduce the risk of fire, electric shock, and injury to persons, including the following:

- Read all instructions before installing or using this heater.
- Extreme caution is necessary when any heater is used by or near children or invalids and whenever the heater is left operating and unattended
- Do not operate any heater after it malfunctions. Disconnect power at service panel and have heater inspected by a reputable electrician before reusing.
- Do not insert or allow foreign objects to enter any ventilation or exhaust opening as this may cause an electric shock or fire, or damage the heater.
- To prevent a possible fire, do not block air intakes or exhaust in any manner.
- A heater has hot and arcing or sparking parts inside. Do not use it in areas where gasoline, paint, or flammable vapors or liquids are used or stored
- The unit must be placed with the clearance of 100cm to the wall and 30cm to the ceiling.
- This heater is hot when in use. To avoid burns, do not let bare skin touch hot surfaces. High temperature, keep combustible material such as furniture, pillows, bedding, papers, clothes, curtains at least 3 feet (0.9m) from the front of the heater and away from the side and rear.
- The unit is at high temperature during operation. It keeps hot for a period after shut down. Potential danger would occur when touching it during this period.
- Don't place the unit close to curtain and/or other flammable objects. Otherwise there will be a danger of catching fire.
- Don't cover the unit with anything during operation or a short time after it's shut down.
- Don't wrap the power supply cord on the unit.
- The unit must be handled with care, and avoid of vibration or hitting.
- The unit must be securely grounded during operation.
- When damaged, the unit must be repaired by professional repairing team.
- If the supply cord is damaged, it must be replaced by the manufacturer, its service agent or similarly qualified persons in order to avoid a hazard.
- The heater must not be located immediately below a socket-outlet.
- When assembling, keep clear from any board or flammable material.
- Do not use this heater with a programmer, timer or any other device that switches the heater on automatically, since a fire risk exists if the heater is covered or positioned incorrectly.
- This appliance is not intended for use by persons (including children) with reduced physical, sensory or mental capabilities, or lack of experience and knowledge, unless they have been given supervision or instruction concerning use of the appliance by a person responsible for their safety.

Instruction Manual

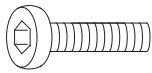
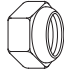

- Children should be supervised to ensure that they do not play with the appliance.
- The head of the unit is at high temperature during operation. Unplug the unit and wait till it's cool before cleaning.
- Don't use this heater in the immediate surroundings of a bath, a shower or a swimming pool.
- Don't use this unit in place where causticity or volatile air exists, i.e. dust, steam, gas, etc.
- Don't use this unit as a cloth drier or towel drier.
- Don't use this unit as a sauna heater.
- Don't use this unit as a room heater or heat storing.
- Don't use this unit in place of animal propagating and raising.
- Don't use this unit in heating system of hot air centre.
- Don't immerse this unit into water for cleaning.
- The unit should be plugged in a socket, which is easily visible and reachable.
- To avoid potential fire hazards, never place your heater or its electrical cord under rugs, or carpeting. Place the electrical cord away from busy areas to avoid accidental tripping and contact.
- To disconnect heater, turn controls to off, and turn off power to heater circuit at main disconnect panel. then remove plug from outlet.
- Use this heater only as described in this manual. Any other use not recommended by the manufacturer may cause fire, electric shock, or injury to persons.
- Surface temperatures become very hot when operating heater. Children and adults should stay away to avoid burns or clothing ignition.
- Young children should be carefully supervised when they are in the area of the heater.

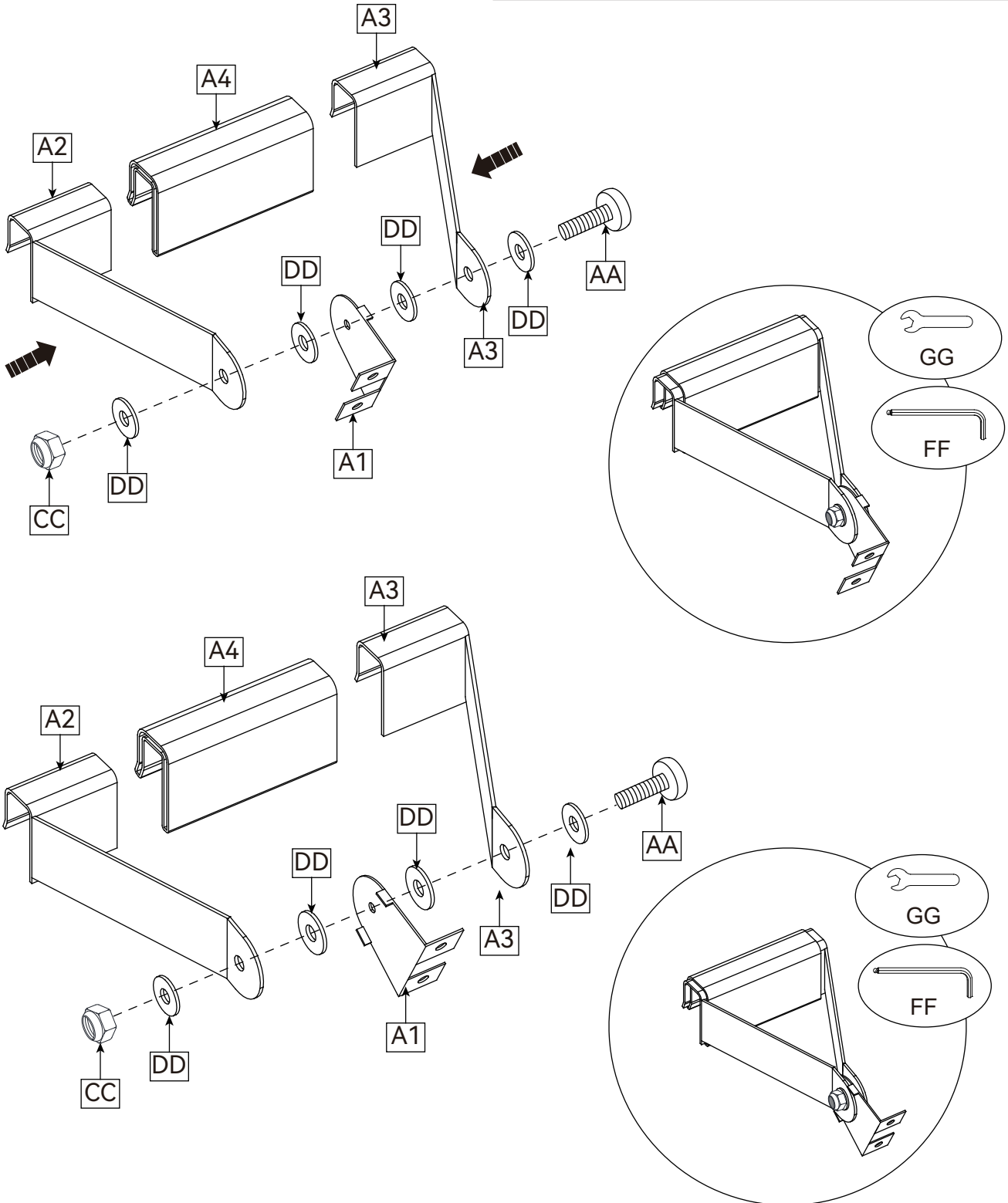
Included Parts

PART	QTY	DIAGRAM
Electric heater A	1	
Connector A1	2	
Connector A2	2	
Connector A3	2	
Connector A4	2	
Wire B1	1	 6M
Wire B2	1	 6M
Bolt AA	2	 M6*20MM
Bolt BB	4	 M6*15MM
Nut CC	2	 M6
M6 Washer DD	12	 M6
Wrench EE	1	 10#
Allen Wrench FF	1	 4#
Remote Control GG	1	

Installation Instructions

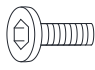

1 Installing the connectors

AA		x2
CC		x2
DD		x8

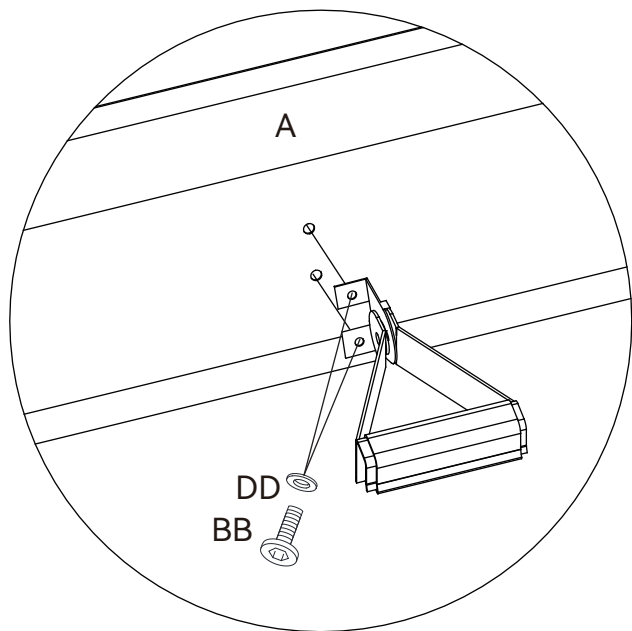
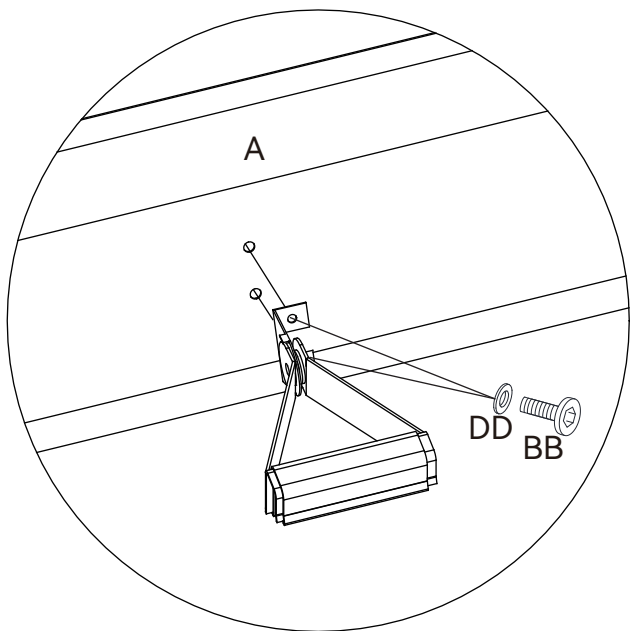
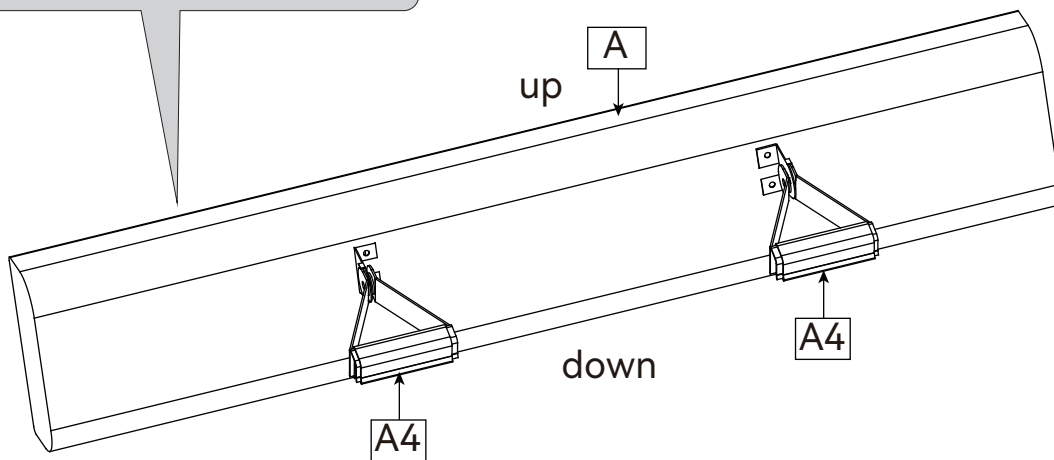


Installation Instructions

2 Connecting the connectors and electric heater

BB		x4
DD		x4

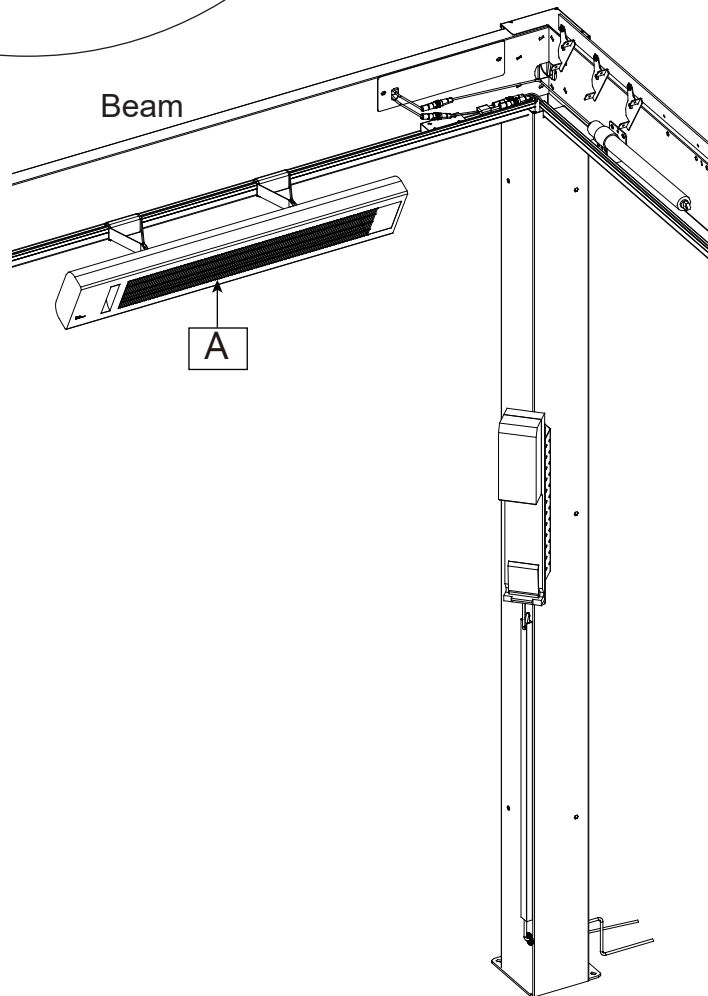
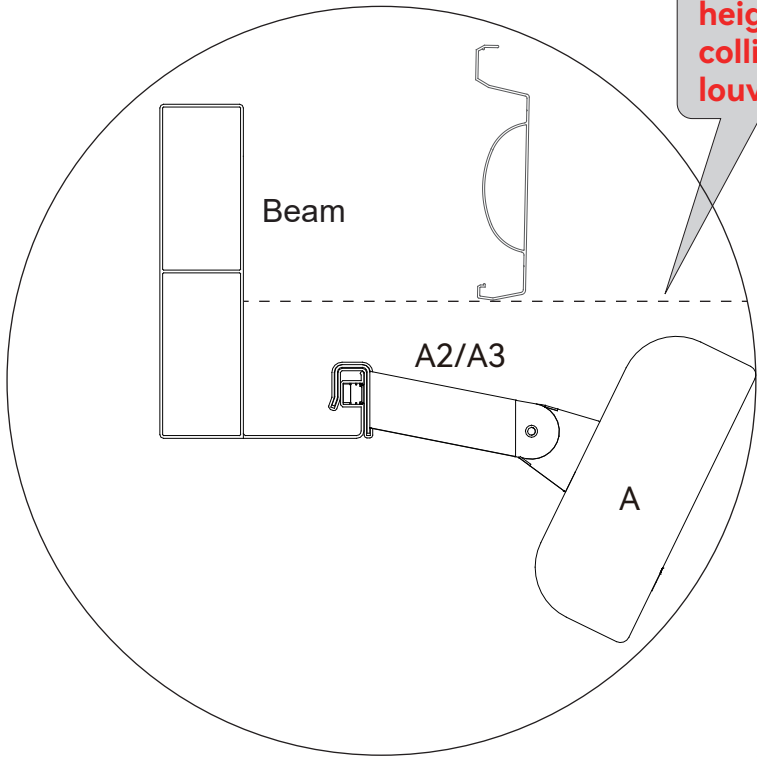
IMPORTANT:
Please note the direction of the electric heater



Installation Instructions

3 Installing the electric heater

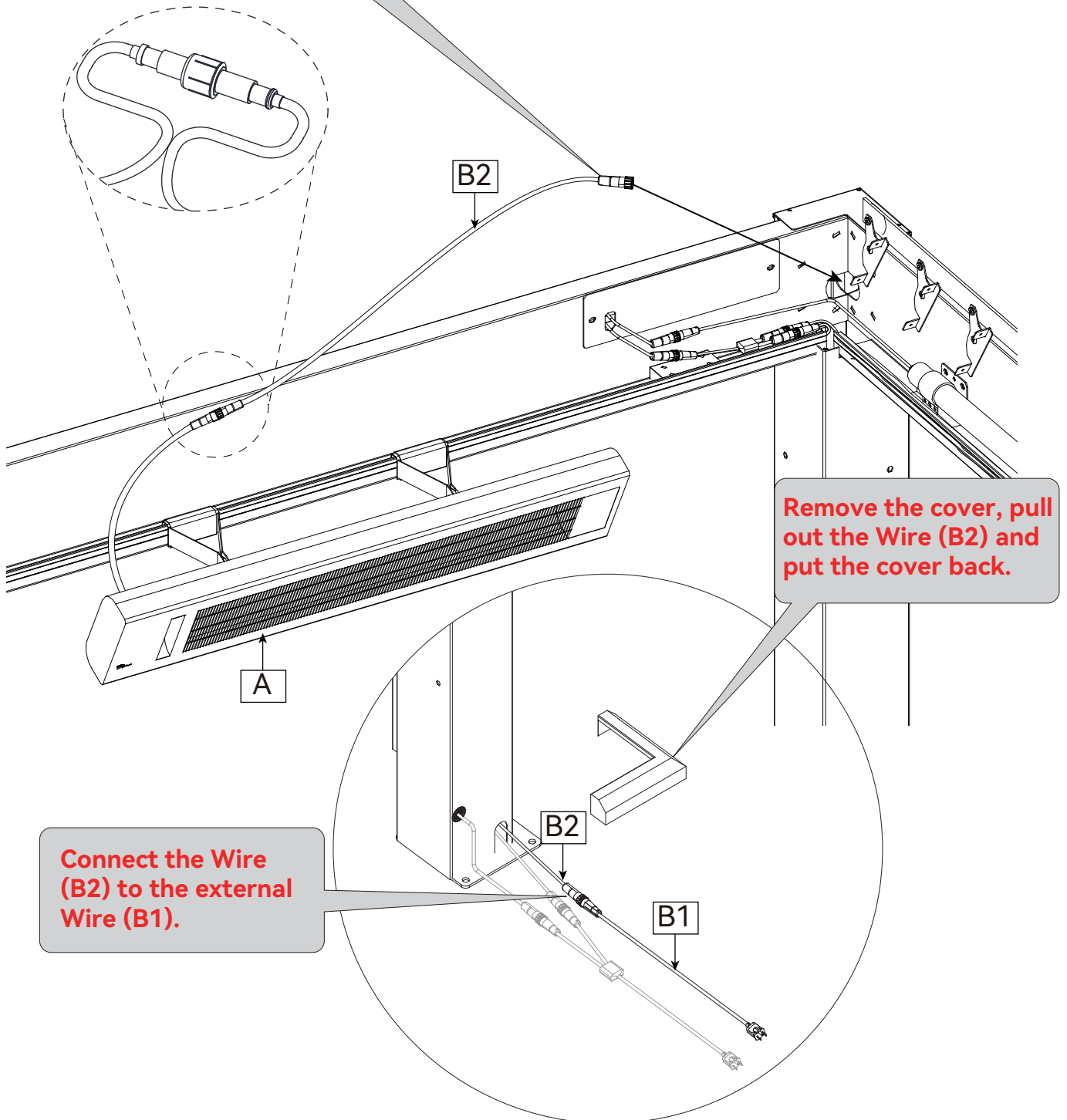
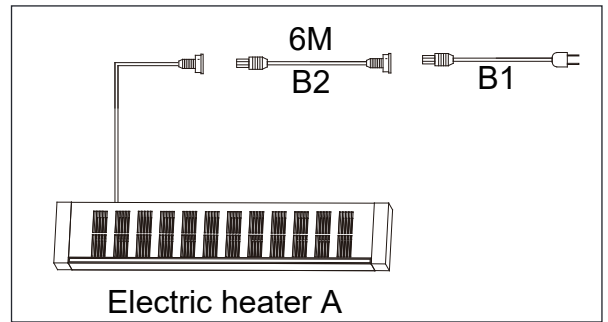
IMPORTANT:
Please pay attention to the adjustment height of the electric heater to prevent collision with the roof louvers when the louvers open and close.



Installation Instructions

4 Installing the electric wires

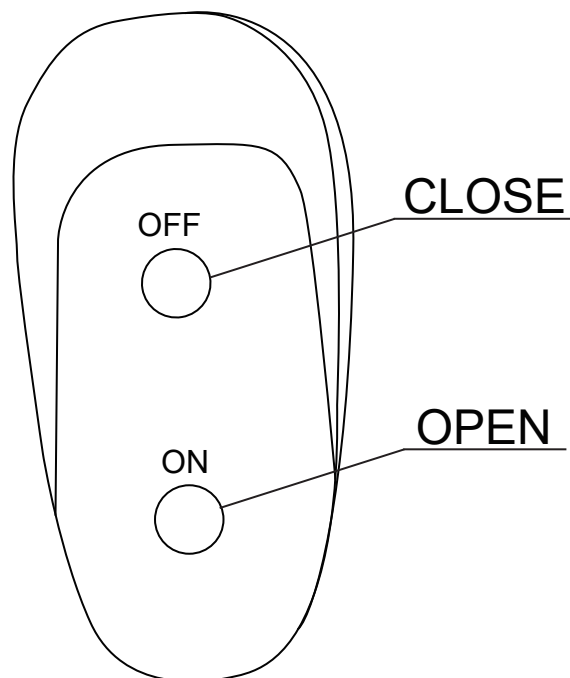
Connect one end of Wire (B2) to the electric heater (A), then thread the other end of Wire (B2) through the hole in the crossbeam into the inside of the post until it leaks out of the hole in the lower end of the post.



Installation Instructions

5 Operating Instructions for Remote Control

- Plug in the unit to a socket. Make sure the power supply is same as rated.
- LED indicator light starts flashing showing the heater is on standby. Press ON button on control panel (or ON button on remote control) to switch on the heater. To shift the heater to standby mode, press OFF button on control panel (or OFF button on remote control). LED indicator light starts flashing again.
- To switch off the heater, please unplug the unit.



CALIFORNIA PROPOSITION 65 WARNING

AVERTISSEMENT Proposition 65 pour les clients de la Californie

- **WARNING:** Cancer and Reproductive Harm
- **AVERTISSEMENT:** Cancer et effets nocifs sur la reproduction

www.P65Warnings.ca.gov