




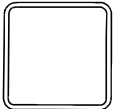
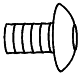
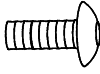
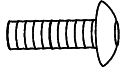
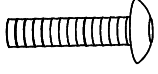

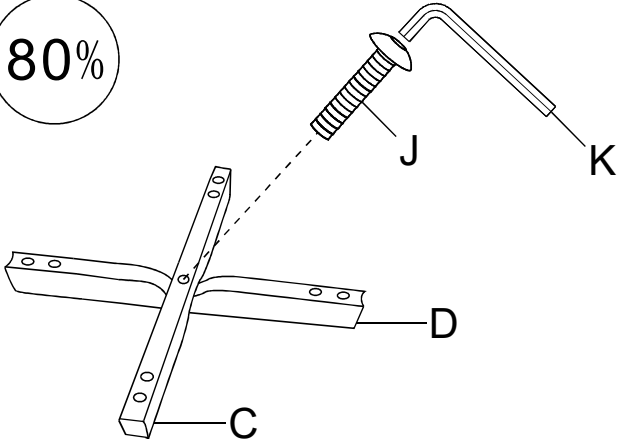


INSTALLATION ASSEMBLY

Ax1 	Bx1 	Cx1 	Dx1 	Ex4 	Fx1 	Gx12 M6x12mm 	Hx4 M6x18mm 	Ix4 M6x25mm 	Jx1 M6x30mm 	Kx1 M6 
--	--	--	--	--	--	--	---	---	---	--

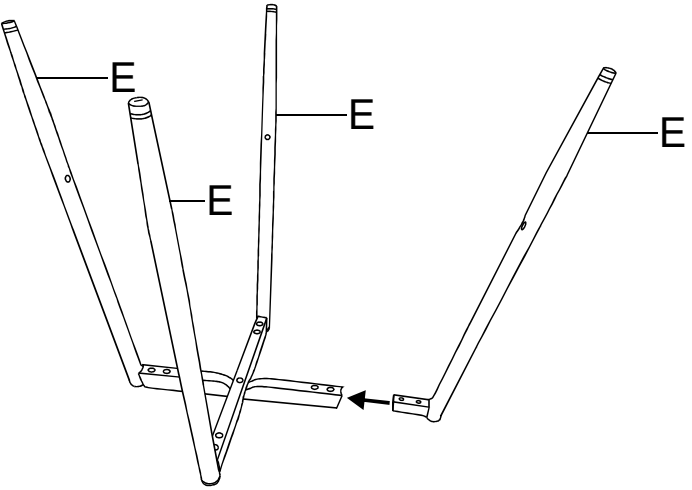
1

80%



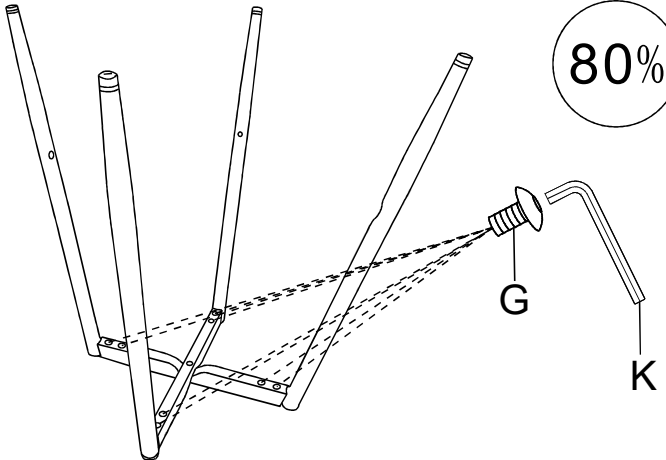
When you reach this step, do not tighten all the screws. Expect to tighten them to 80%

2



3

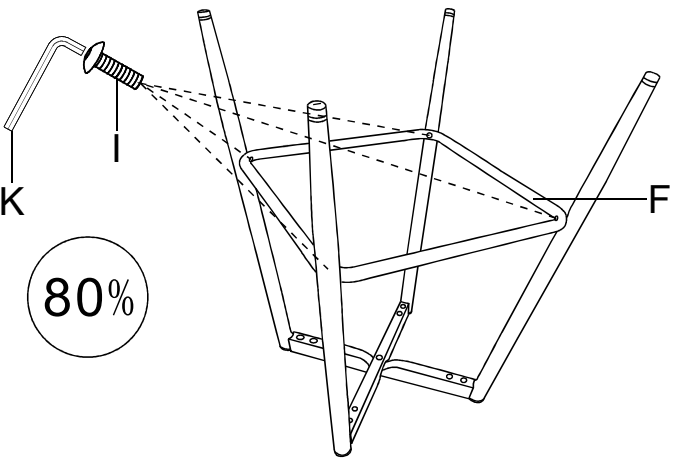
80%



When you reach this step, do not tighten all the screws. Expect to tighten them to 80%

4

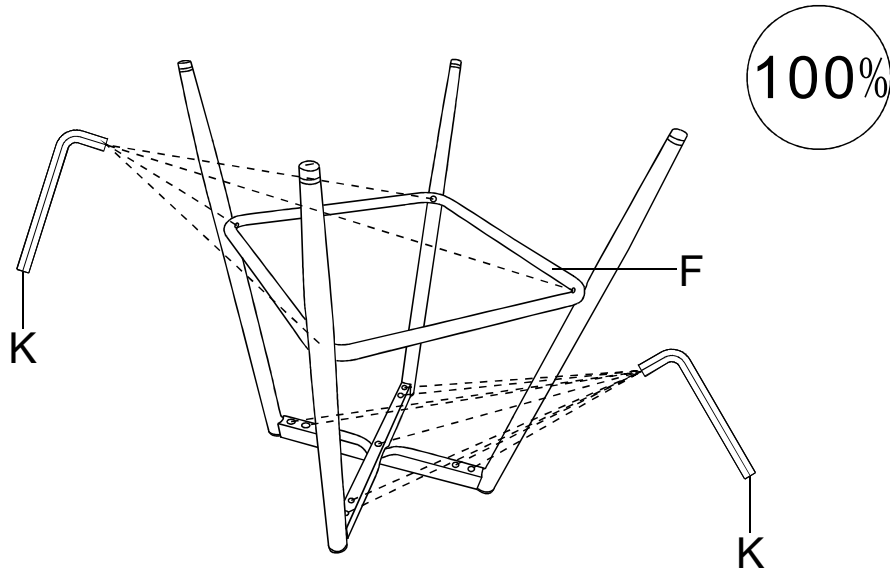
80%



When you reach this step, do not tighten all the screws. Expect to tighten them to 80%

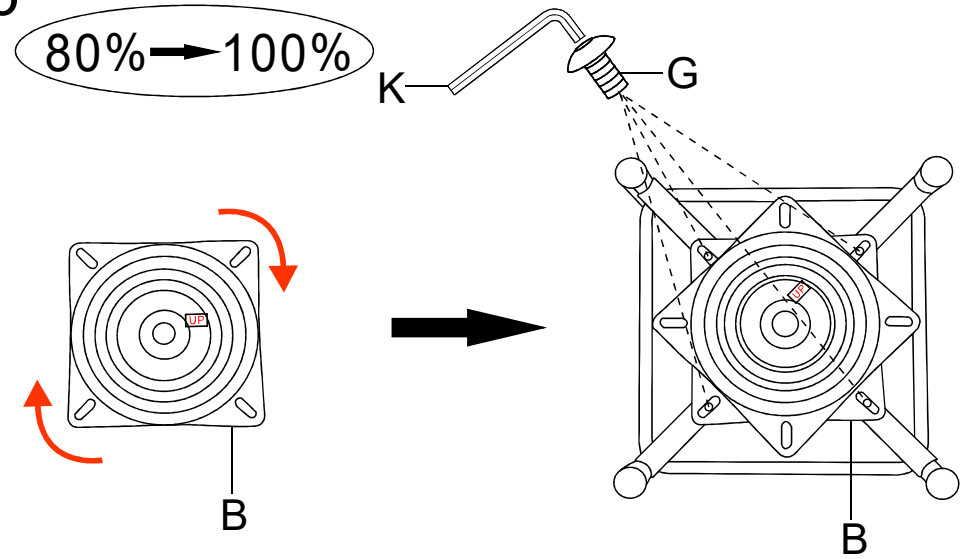
Please note : We provide fast after-sales service, don't worry if there is something wrong with the package you received. Please contact us first, we will reply you in time!

5



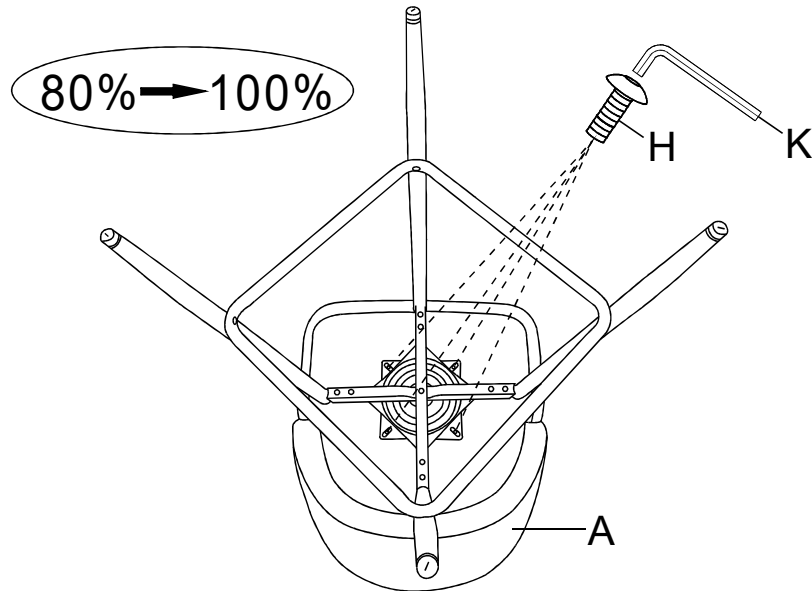
When you reach this step, all the screws need to be tightened to 100%

6



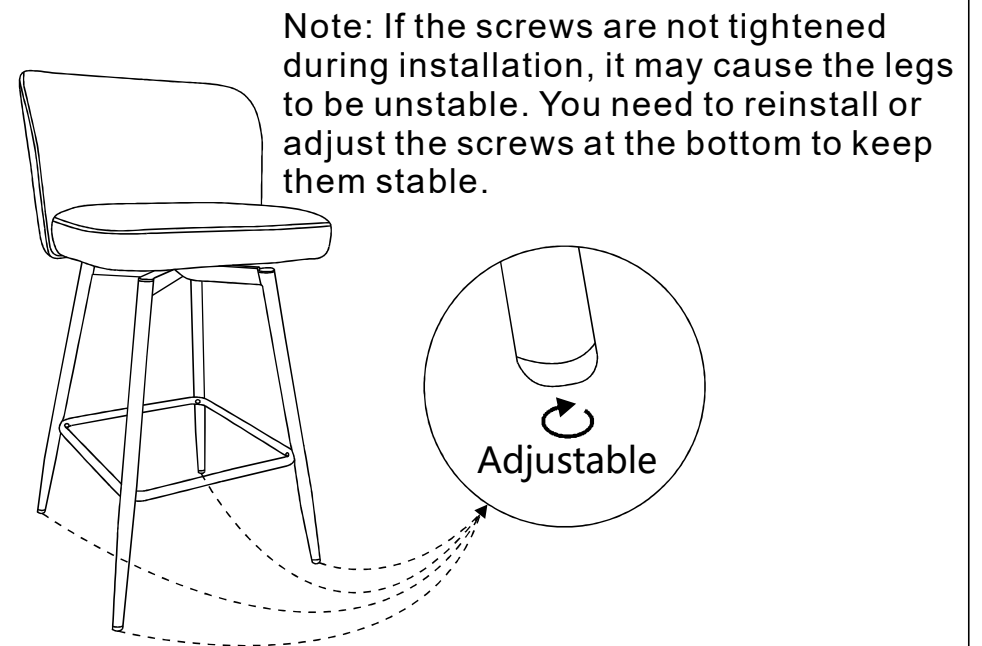
When you reach this step, each screw needs to be installed first, tightened to 80%, and then all tightened to 100%

7



When you reach this step, each screw needs to be installed first, tightened to 80%, and then all tightened to 100%

8



Note: If the screws are not tightened during installation, it may cause the legs to be unstable. You need to reinstall or adjust the screws at the bottom to keep them stable.

Please note : We provide fast after-sales service, don't worry if there is something wrong with the package you received. Please contact us first, we will reply you in time!