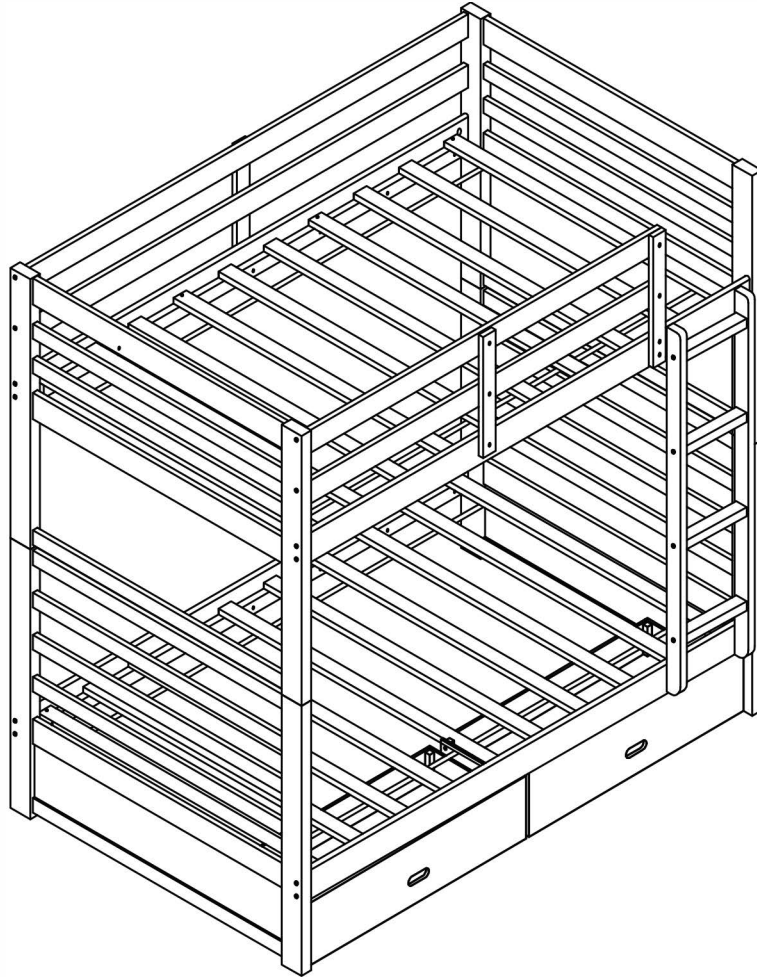


Assembly Instructions



ASSEMBLY RATING

The Assembly Rating is a 5-point system that shows the degree of effort needed in assembling a specific product (with 1 being easy and 5 being difficult). For some products, two persons are recommended.

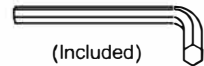
EASY



DIFFICULT

Tools Required For Assembly:

Allen Wrench



(Included)

Phillips Screwdriver



(Not Included)

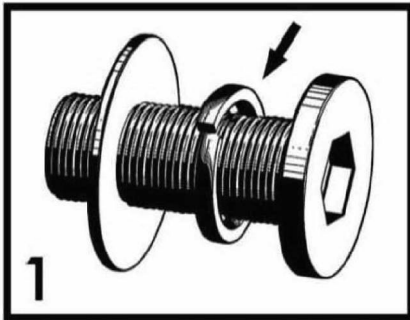


2 PERSONS RECOMMENDED

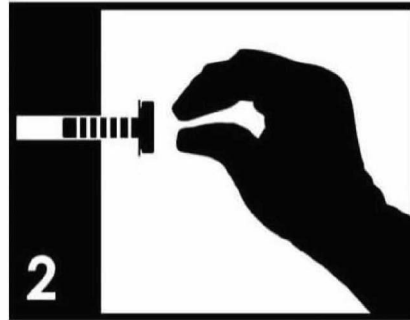
ASSEMBLY & CARE ADVICE

FOR YOUR FURNITURE TO LAST, CORRECT ASSEMBLY AND PROPER MAINTENANCE ARE NECESSARY. PLEASE FOLLOW THE INFORMATION PROVIDED BELOW TO FULLY ENJOY YOUR FURNITURE.

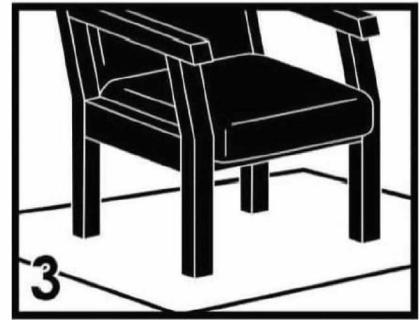
BASIC ASSEMBLY TECHNIQUES



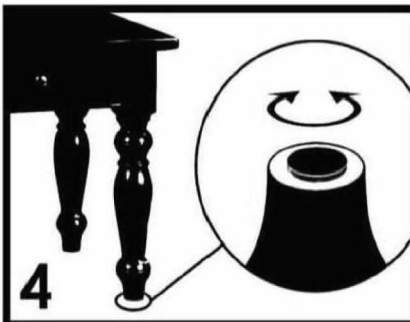
When lock or spring washer is used in an assembly, please make sure the lock or spring washer is placed between the larger flat washer and the head of the screw or bolt.



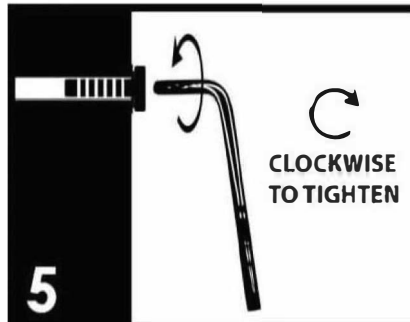
Position each part correctly and insert screws or bolts into their respective holes by hand tighten or using the proper hand tool. Only tighten when step is completed or when instructed to do so.



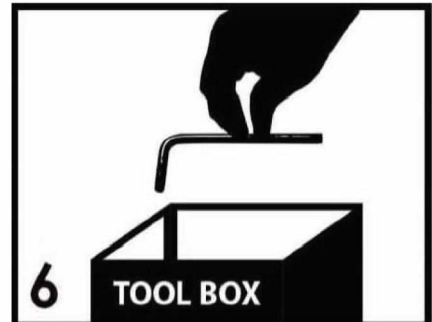
Use cardboard or carpet area when assembling furniture to prevent scratches. Make sure the furniture rests on a flat and level surface with each leg evenly touching the floor.



Some furniture comes with height adjustment knobs underneath each leg. To lower or to raise each leg, you need to turn clockwise or counterclockwise, respectively.



Make sure all parts are properly aligned, then use the appropriate hand tool to completely tighten the bolts or screws. Do not use power tools and do not overtighten.

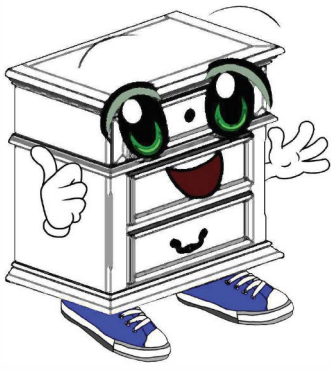


Save the instructions and store the Allen wrench or any supplied tool for later maintenance. After two weeks, check and tighten any loose hardware and repeat again every six months thereafter.

IT IS THE USER'S RESPONSIBILITY TO MAINTAIN THE FURNITURE. THE HARDWARE MAY LOOSEN OVER TIME AND MAY CAUSE THE FURNITURE TO BE WOBBLY AND UNABLE TO SUPPORT ITS INTENDED WEIGHT CAPACITY. THIS MAY LEAD TO COLLAPSE AND MAY CAUSE SERIOUS INJURY.



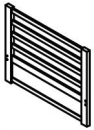
FAILURE TO FOLLOW THE GUIDELINES ABOVE MAY RESULT IN INJURY AND/OR PROPERTY DAMAGE.



Before you begin, please read Page 2 of "Assembly and Care Advice".

And remember, do not tighten until each step is completed or instructed.

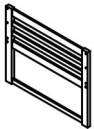
Parts List



#1 x 1pc
Lower End Guardrail



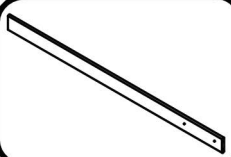
#2 x 1pc
Lower End Guardrail



#3 x 1pc
Upper End Guardrail



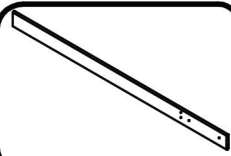
#4 x 1pc
Upper End Guardrail



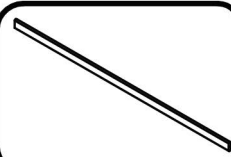
#5 x 1pc
Lower Front Side Rail



#6 x 2pcs
Upper/Lower Back Side Rail



#7 x 1pc
Upper Front Side Rail



#8 x 2pcs
Back Guardrail



#9 x 2pcs
Front Guardrail



#10 x 2pcs
Guardrail Support



#11 x 1pc
Guardrail Support



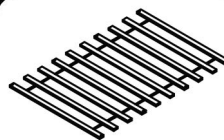
#12 x 1pc
Ladder Rail (Right)



#13 x 1pc
Ladder Rail (Left)



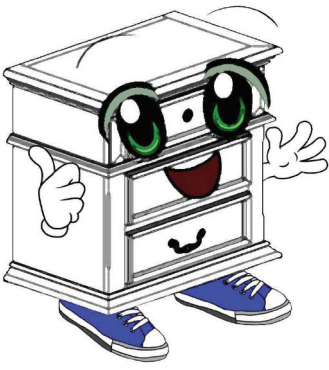
#14 x 4pcs
Ladder Rung



#15 x 2Set
Twin Slat Kit (10pcs)



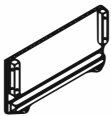
#16 x 2pcs
Front Panel



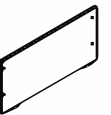
Before you begin, please read Page 2 of "Assembly and Care Advice".

And remember, do not tighten until each step is completed or instructed.

Parts List



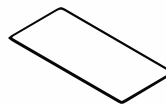
#17 x 2pcs
Side (Left)



#18 x 2pcs
Side (Right)



#19 x 2pcs
Back Panel



#20 x 2pcs
Bottom Panel



#21 x 2pcs
Center Support

Hardware List



#A x 16pcs
Bolt $\phi 1/4$ " x 3-9/16"



#B x 6pcs
Screw $\phi 1/4$ " x 3"



#C x 16pcs
Barrel Nut $\phi 1/4$ " x 1/2"



#D x 4pcs
Bolt $\phi 1/4$ x 1-3/8"



#E x 4pcs
Bolt $\phi 1/4$ " x 1-3/16"



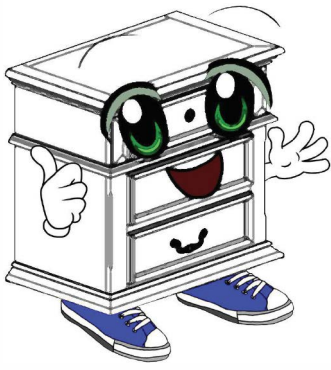
#F x 22pcs
Screw #4 x 30mm



#G x 20pcs
Screw #4 x 25mm



#H x 8pcs
Wood Dowel $\phi 1/4$ " x 1-3/16"



Before you begin, please read Page 2 of "Assembly and Care Advice".

And remember, do not tighten until each step is completed or instructed.

Hardware List



#I x 6pcs
Wood Dowel $\phi 7/16"$ x $1-9/16"$



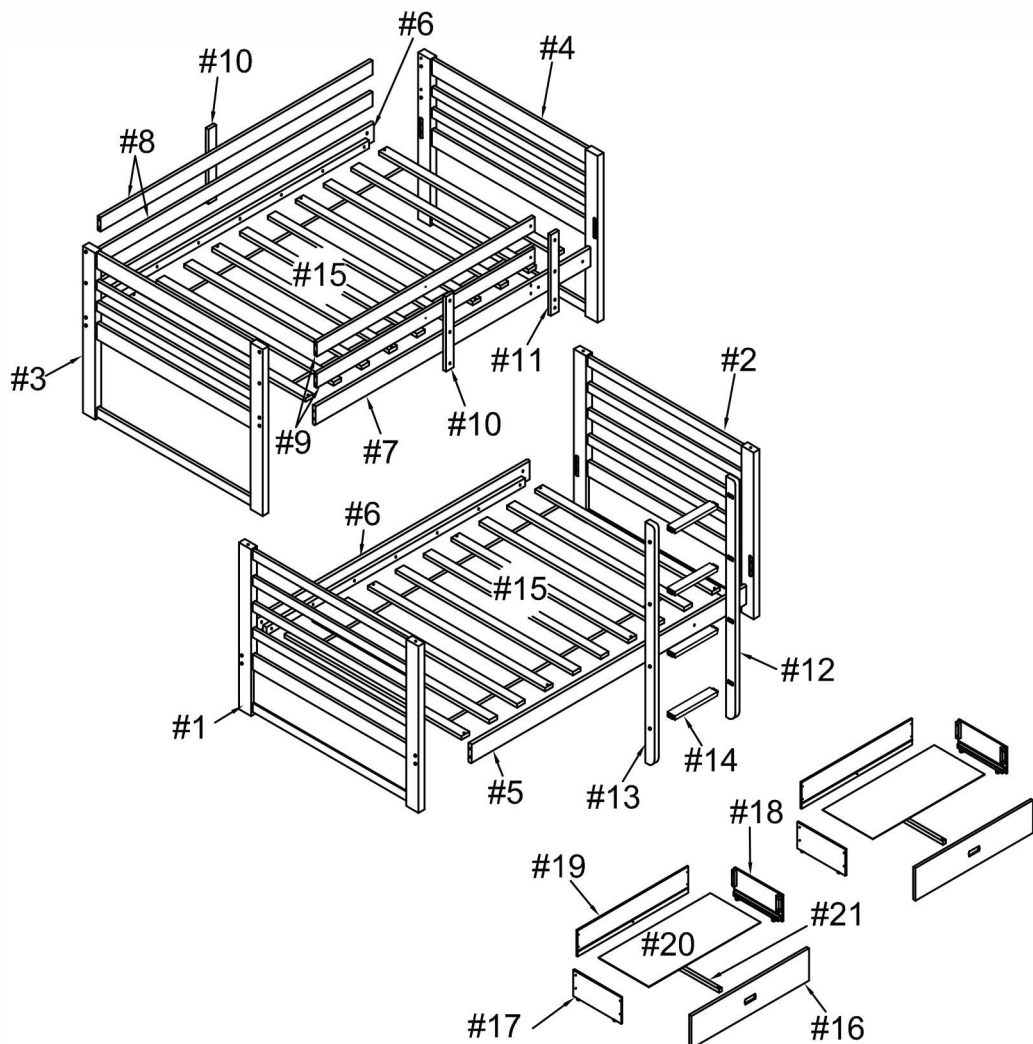
#K x 1pc
Allen Wrench 4mm



#J x 4pcs
Metal Dowel $\phi 3/8"$ x $3-9/16"$



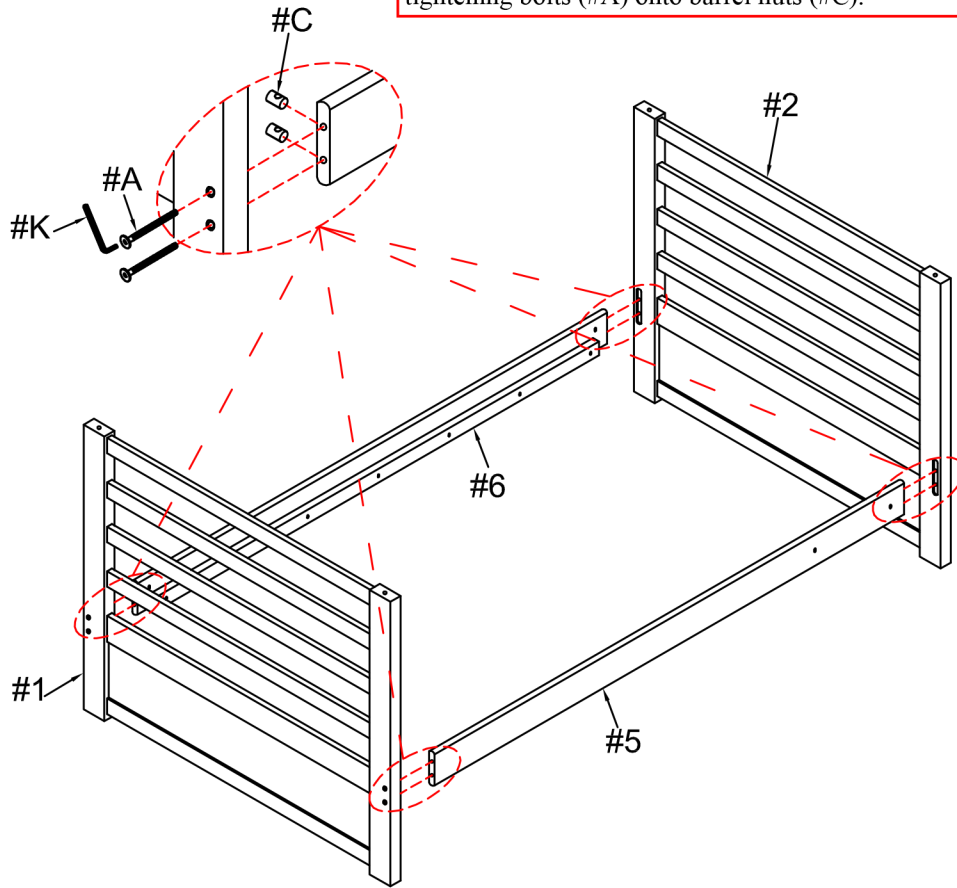
#L x 8pcs
Screw $\phi 1/4"$ x $2"$





A x 8pcs
C x 8pcs

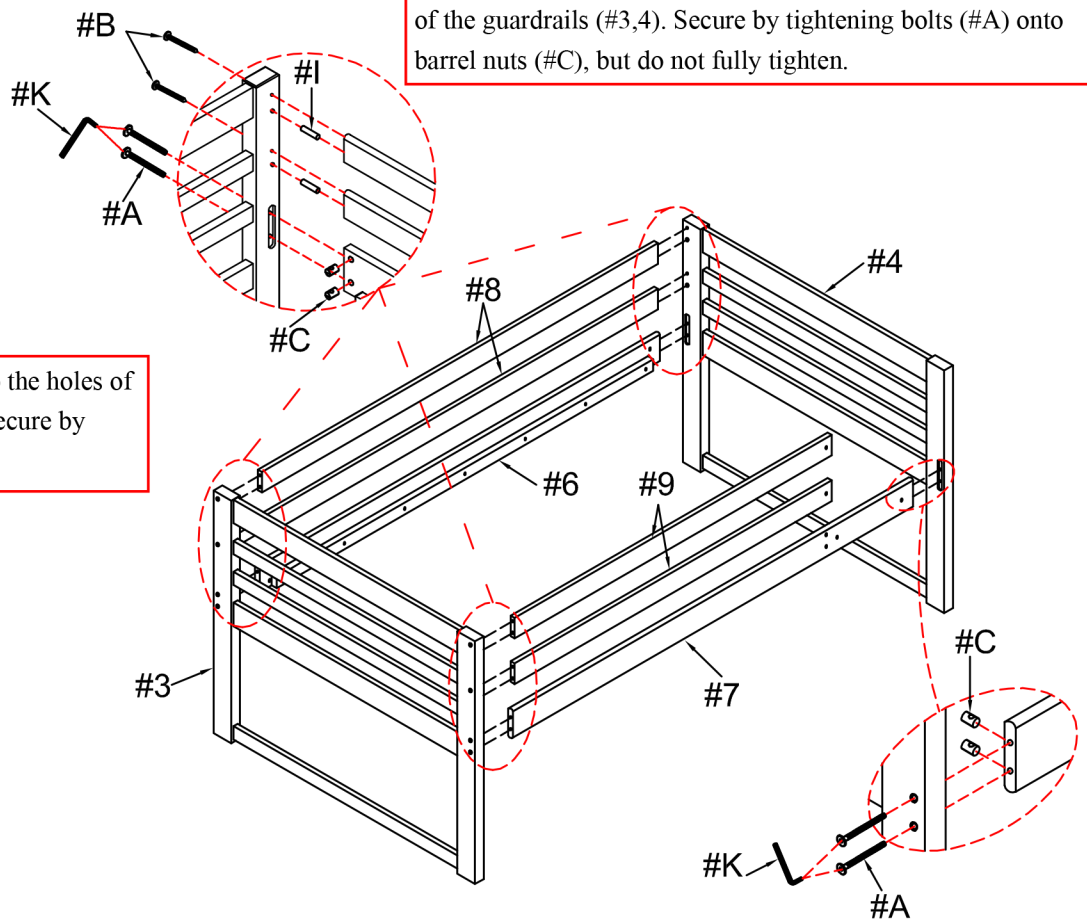
Insert barrel nuts (#C) to the holes of the side rails (#5,6). Align side rails (#5,6) to the holes of the guardrails (#1,2). Secure by tightening bolts (#A) onto barrel nuts (#C).



A x 8pcs
B x 6pcs
C x 8pcs
I x 6pcs

1) Insert dowels (#I) to the dowel holes of the guardrails (#3,4). Align side rails (#6,7), with inserted barrel nuts (#C), to the holes of the guardrails (#3,4). Secure by tightening bolts (#A) onto barrel nuts (#C), but do not fully tighten.

2) Align guardrails (#8,9) to the holes of the side guardrails (#3,4). Secure by using screws (#B).

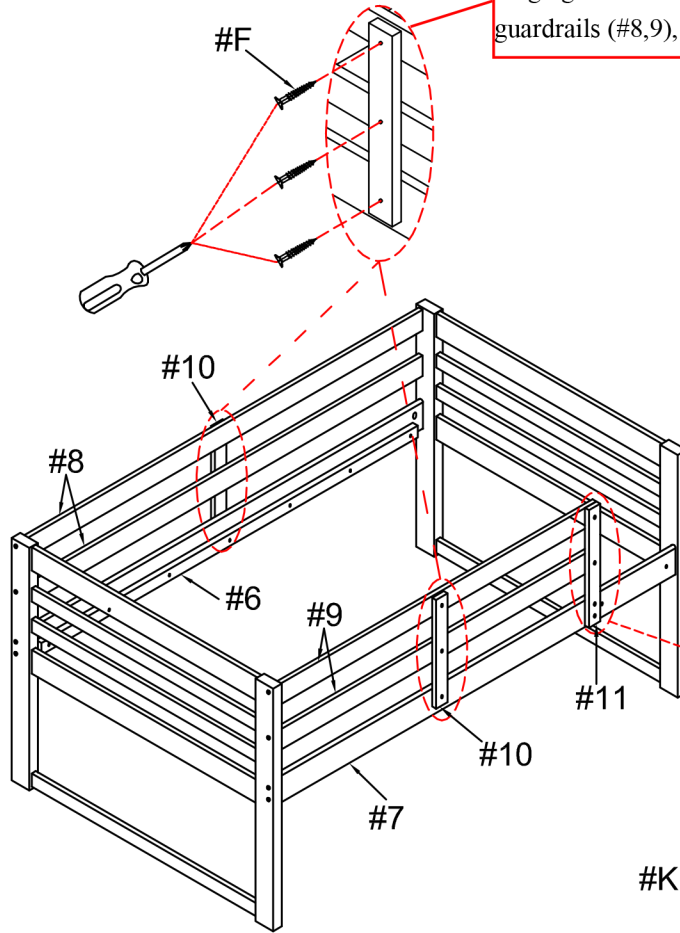




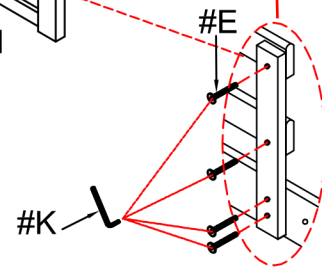
#3

E x 4pcs
F x 6pcs

Align guardrail supports (#10) to the middle of the guardrails (#8,9), then secure by using screws (#F).



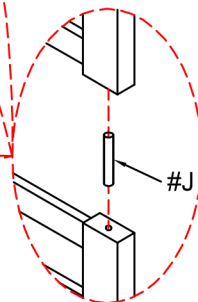
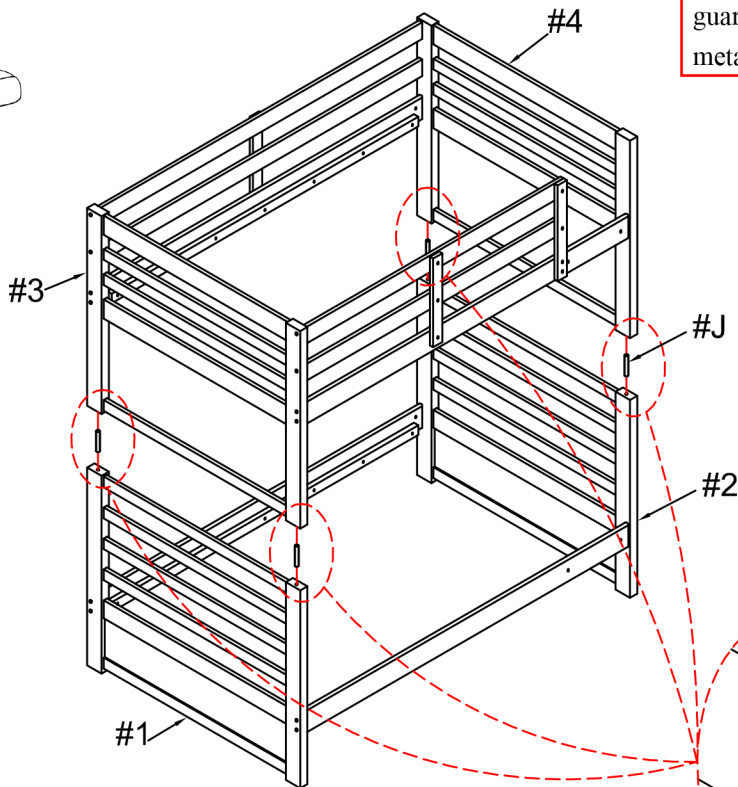
Align guardrail support (#11) to the end of the guardrail (#9), then secure by using screws (#E).



#4

J x 4pcs

Insert metal dowels (#J) to the top of the lower guardrails (#1,2), then align upper bunk to the metal dowels (#J) of the lower bunk.

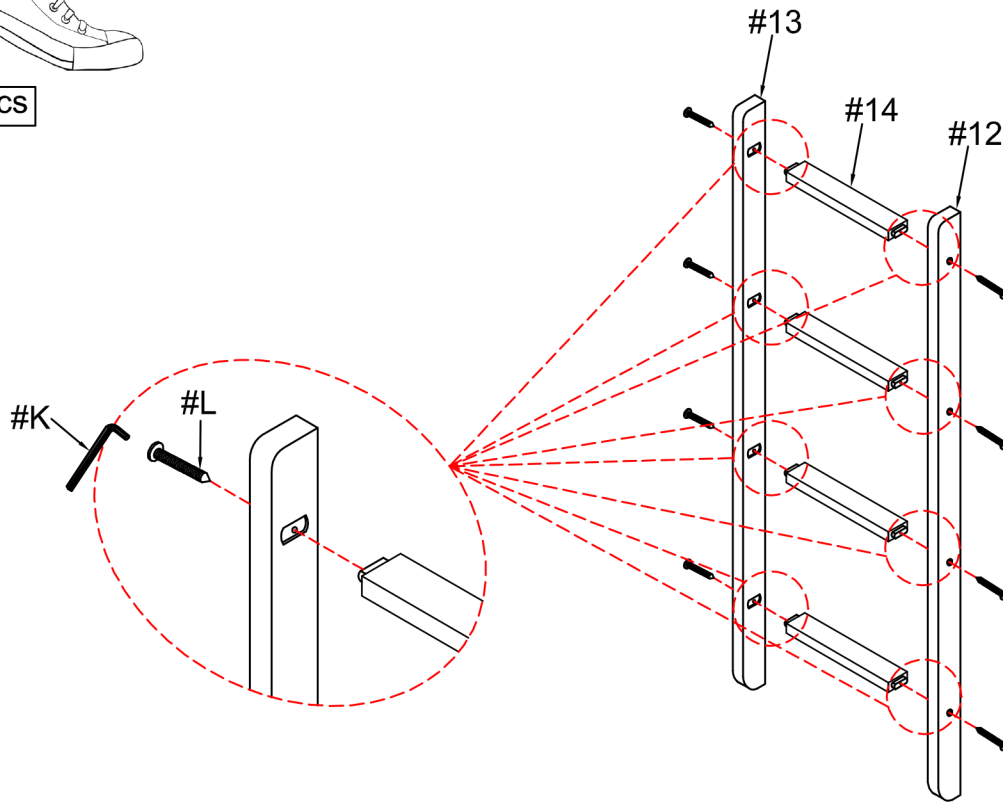




#5

Align ladder rungs (#14) to the holes of the ladder rails (#12,13), then secure by using screws (#L).

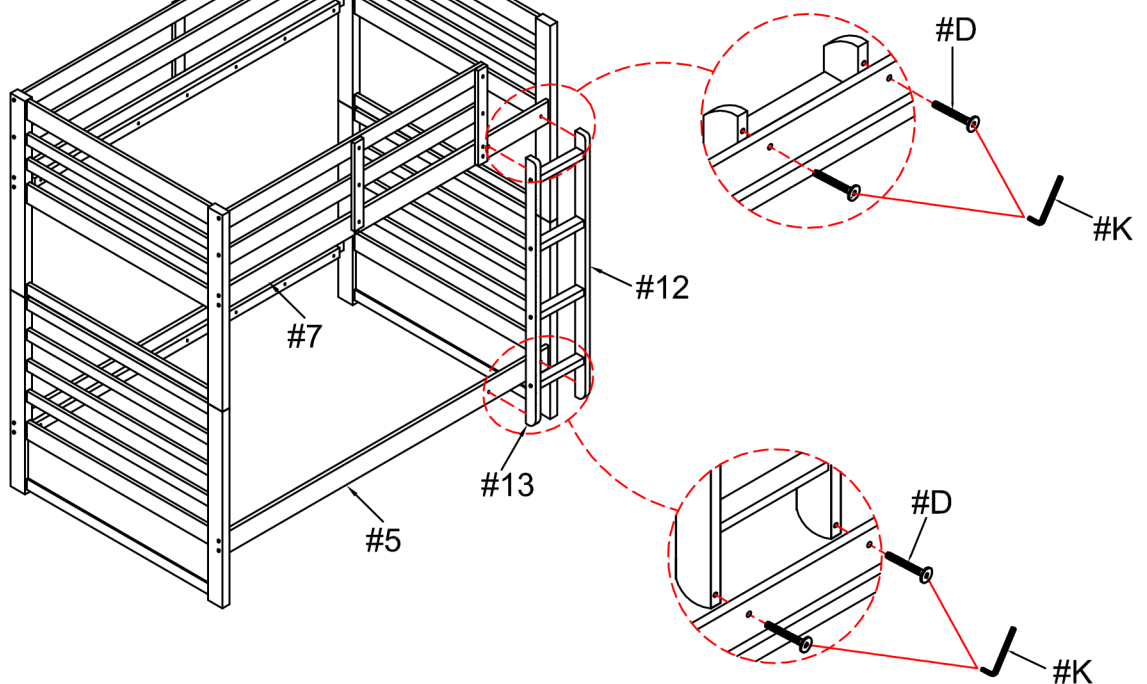
L x 8pcs



#6

Align ladder to the bunk bed, then secure by using bolts (#D).

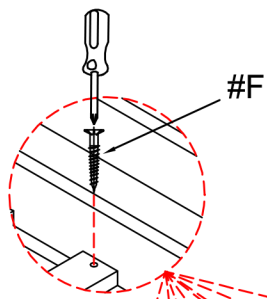
D x 4pcs





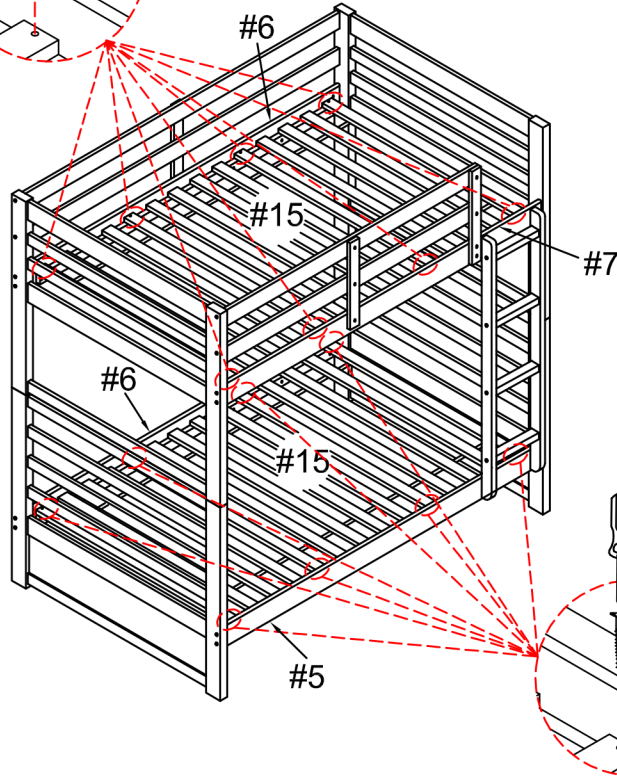
#7

F x 16pcs



#F

Align slat kits (#15) to the side rails, then secure by using screws (#F).



#6

#15

#7

#6

#15

#5

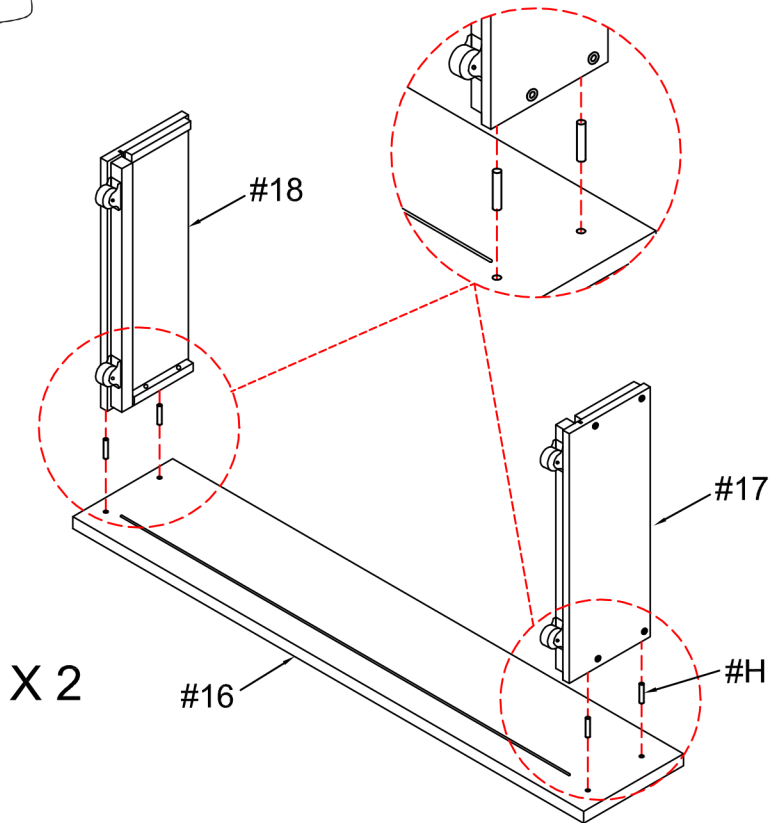
#F



#8

H x 4pcs

Attach dowels (#H) to the holes of the front panel (#16), then align the drawer sides (#17,18) to the dowels of the front panel (#16).



#18

#17

X 2

#16

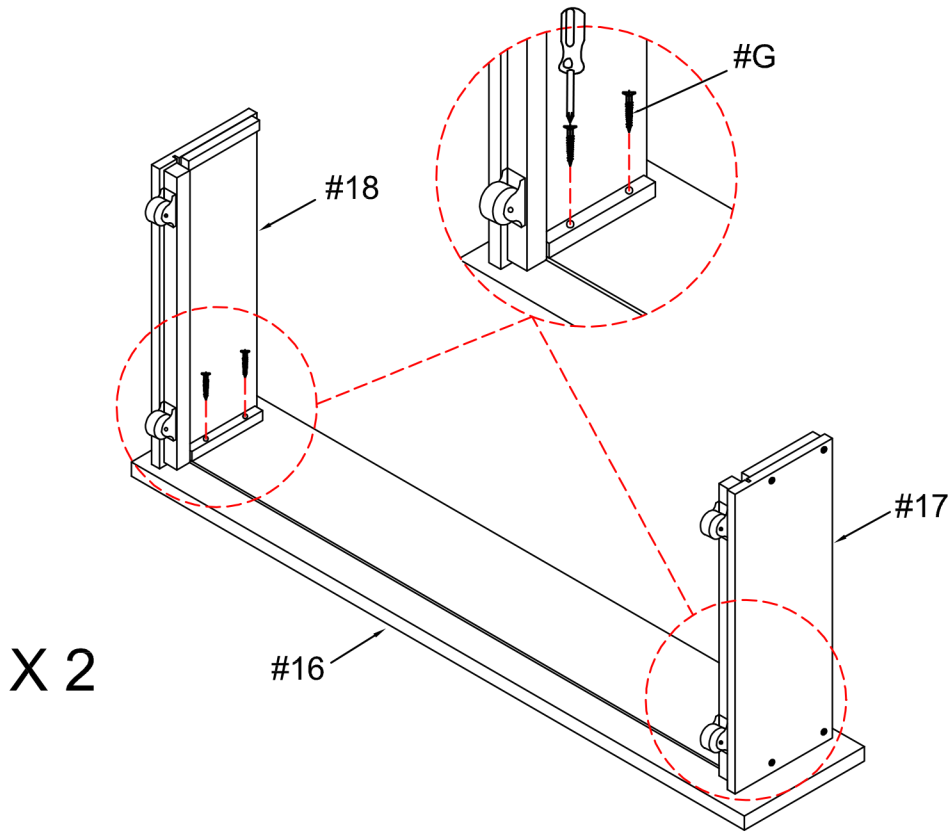
#H



#9

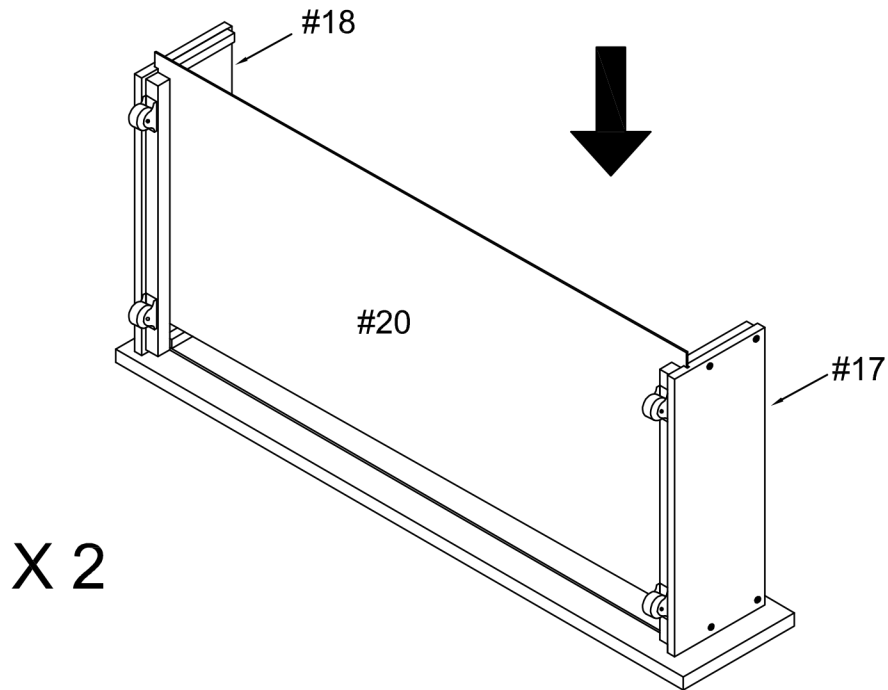
Secure side drawer panels to front panel by using screws (#G).

G x 4pcs



#10

Slide bottom panel (#20) through the thin lined gaps.

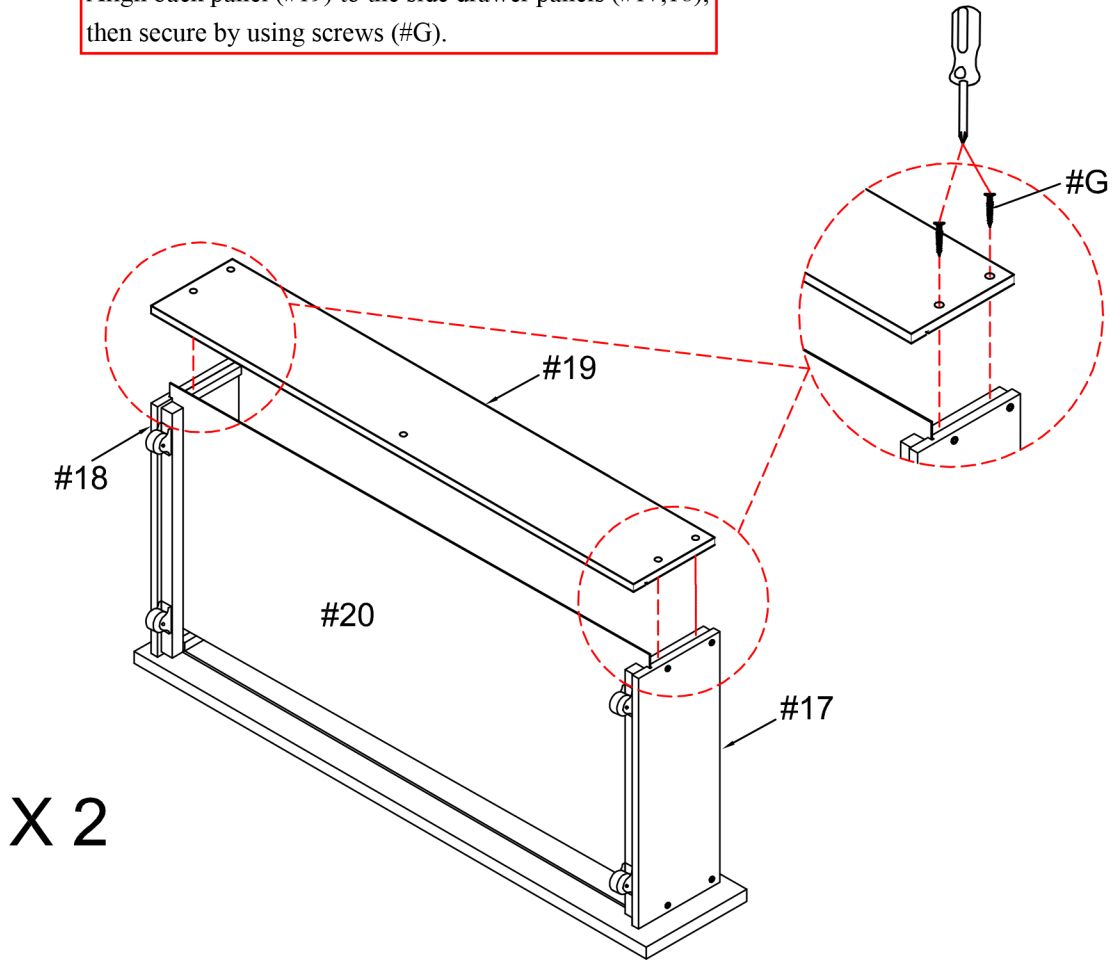




#11

Align back panel (#19) to the side drawer panels (#17,18), then secure by using screws (#G).

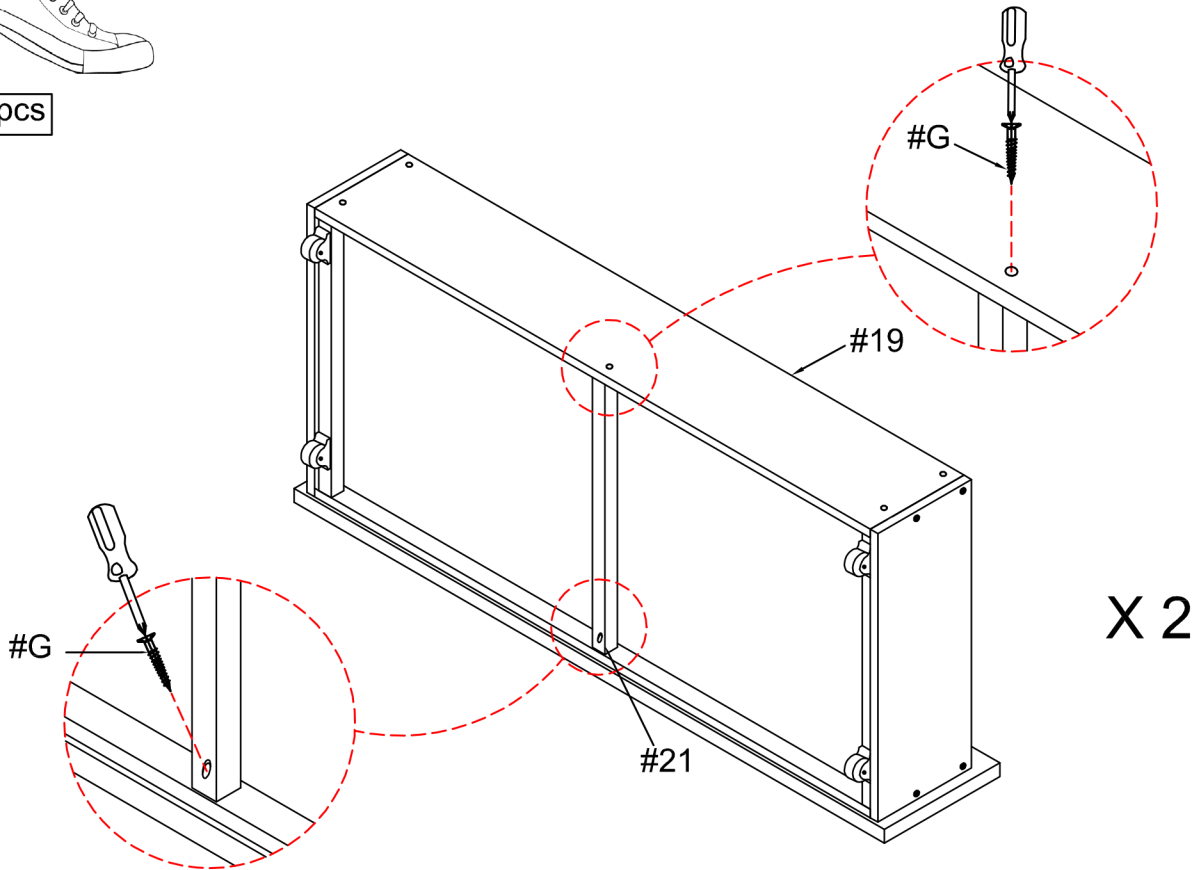
G x 4pcs



#12

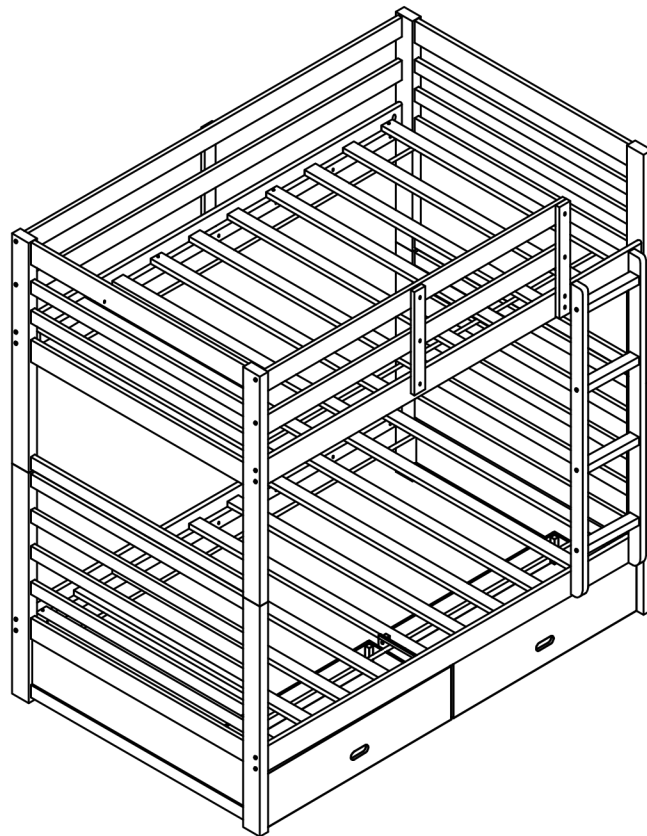
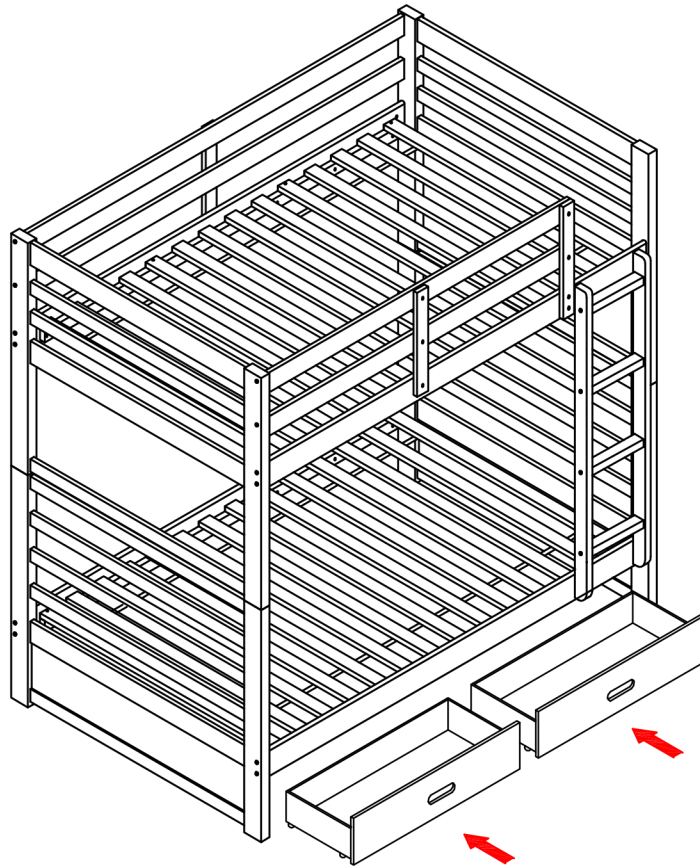
Align center support (#21) to the front and back panel, then secure by using screws (#G).

G x 2pcs





Slide drawers to the bottom.



ASSEMBLY IS COMPLETED

Safety Warnings for Bunk Beds

1. Read and follow the information on the WARNINGS shown on the end structure of the upper bunk and on the carton.
2. Do not remove warning label from the bed.
3. Keep these instructions for future reference.
4. Always use the recommended size mattress or mattress support, or both, to help prevent the likelihood of entrapment or falls.

IMPORTANT: Must use Bunkie mattress. The proper sizes for the **UPPER TWIN-SIZE** Bunkie mattress should be 74" - 75" long and 37½" - 38½" wide with no more than 6" thickness.

Must use Bunkies mattress. The proper sizes for the lower twin - size Bunkie mattress should be 74" - 75" long and 38½" wide with no more than 6" thickness.

5. Surface of mattress must be at least 5 inches (127 mm) **BELOW** the upper edge of guardrails.
6. The **MAXIMUM** weight capacity for the upper bunk is not to exceed 175 lbs
7. Do not allow children under 6 years of age to use the upper bunk.
8. Periodically check and ensure that the guardrails, ladder, other components are in their proper position, free from damage, and that all connectors are tightened and secured.
9. Do not allow horseplay on or under the bed and prohibit jumping on the bed.
10. Always use the ladder for entering or leaving the upper bunk.
11. Do not use substitute parts.
12. Use of a nightlight may provide added safety precaution for a person using the upper bunk.
13. Always use the guardrails on both sides of the upper bunk
14. If the bunk bed will be placed next to a wall, the guardrail that runs the full length of the bed should be placed against the wall to prevent entrapment between the bed and the wall.
15. The use of water or sleep flotation mattresses is prohibited.
16. No more than one person is allowed on the upper bunk at all time



WARNING: STRANGULATION HAZARD

Never attach or hang objects to any part of the bunk bed that are not designed for use with the bed. Objects such as hanger, hook, belt, bag, rope, string, etc. Should not be used on or around the bunk bed.