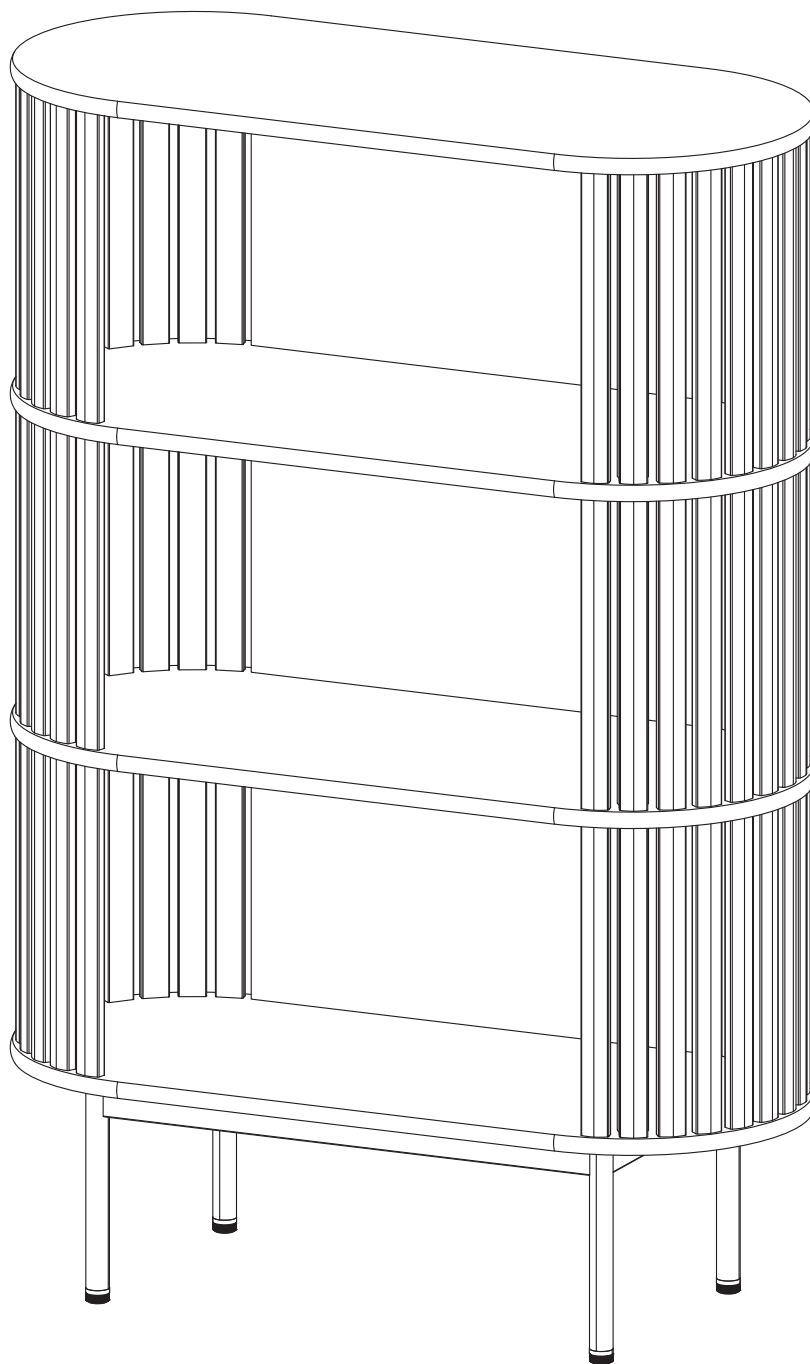


ASSEMBLY INSTRUCTIONS

EEI-6524

V1.04.24.24



Questions? Contact us!

609.256.9000 • cs@modway.com
www.modway.com

*modway



Read through all of the instructions before starting



Care instructions are listed in the last step of this manual



Approx. 60 minutes assembly time



Make sure you have all parts and components before discarding any packing materials



2 people recommended for assembly

Only use hand tools to assemble this item. Do not use power tools. Do not tighten bolts or screws completely until all hardware is lined up and inserted into the holes.

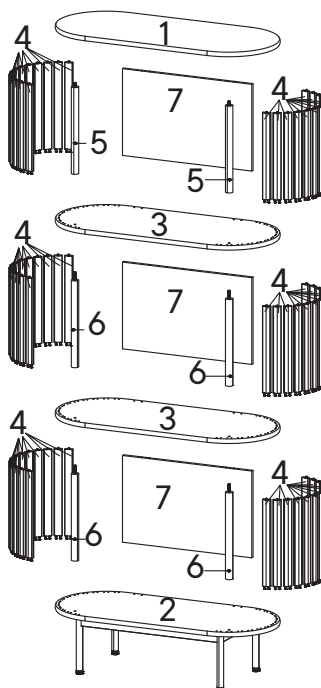
Do not over-tighten screws and bolts to avoid stripping the hardware or cracking the item.

Assemble your item on a flat, carpeted area, with plenty of space to work. This will prevent damage and scratches to your floors or the item while you're assembling the product.

Keep all components and packaging out of reach of children or animals to avoid risk of choking or suffocation.

Furniture components:

1	Top Board	x1
2	Bottom Board	x1
3	Fixed Shelf	x2
4	Bar Side	x79
5	Pillar 1	x2
6	Pillar 2	x4
7	Back Board	x3



Provided hardware:

A		Cam Bolt Ø6 x 35 mm	x12
B		Cam Lock Ø12 mm	x12
C		Wood Dowel Ø6 x 50 mm	x4
D		Wood Dowel Ø6 x 30 mm	x4
E		Screw M 6 x 30 mm	x2
F		PVC Sheet	x2
G		Screw M 6.4 x 45 mm	x10
H		Screw M 6 x 40 mm	x4
I		Support Corner Brace	x4

J		Corner Brace	x4
K		Metal Leg	x4
L		Support Metal Leg 1	x2
M		Support Metal Leg 2	x2
N		Allen Key	x2

What you need:



Wait!

Missing parts or hardware? Need assistance?
Contact us before returning your item. We're here to help!
609.256.9000 • cs@modway.com

Step 1

HARDWARE

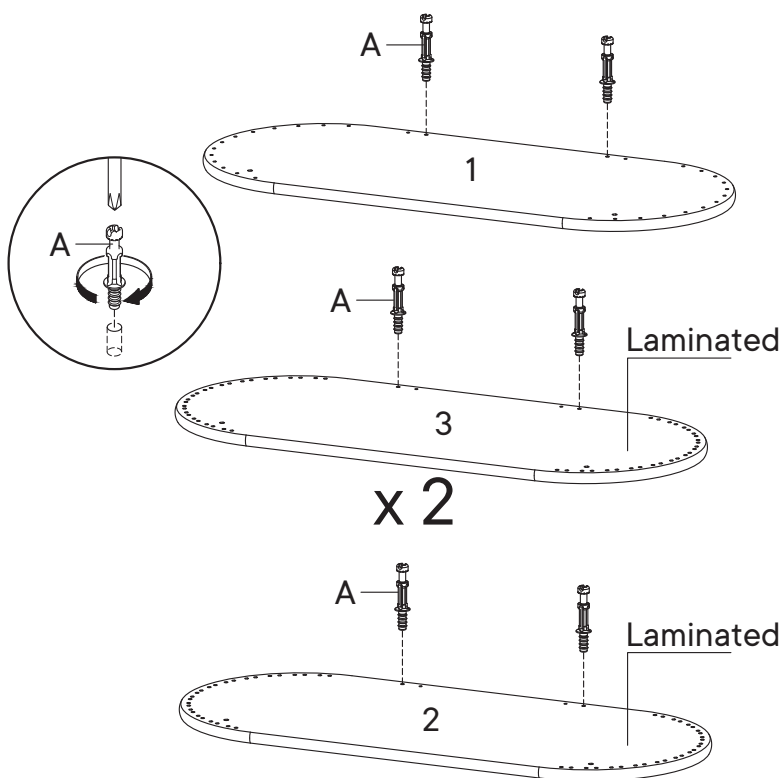
A Cam Bolt Ø6 x 35 mm x8

COMPONENTS

1 Top Board x1

2 Bottom Board x1

3 Fixed Shelf x2

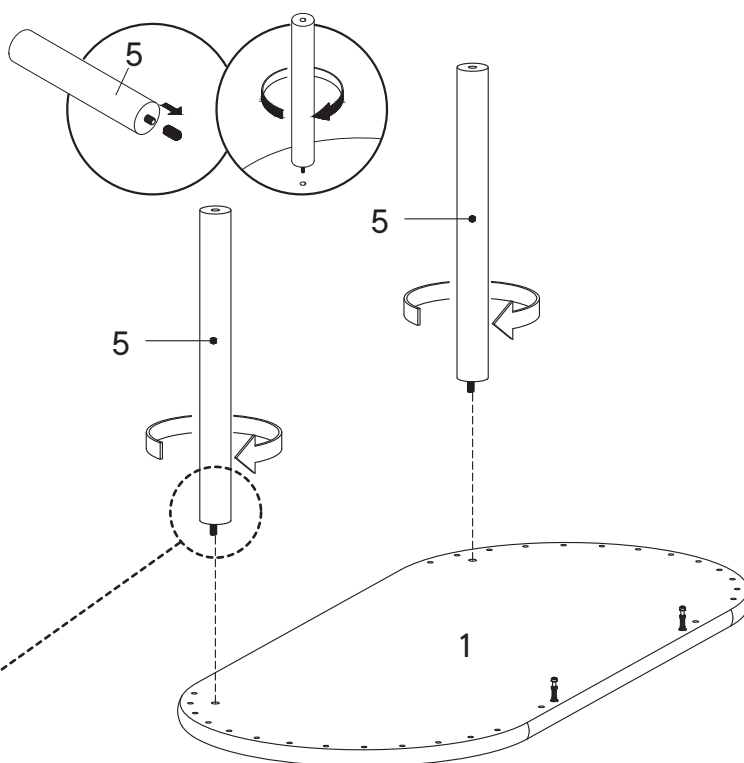
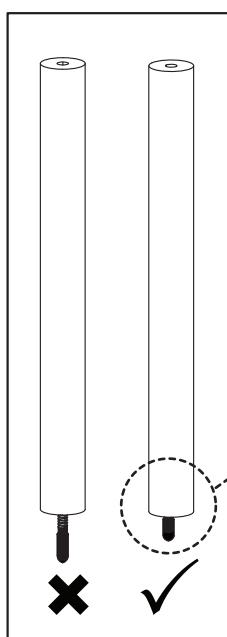


Step 2

COMPONENTS

1 Top Board x1

5 Pilar 1 x2



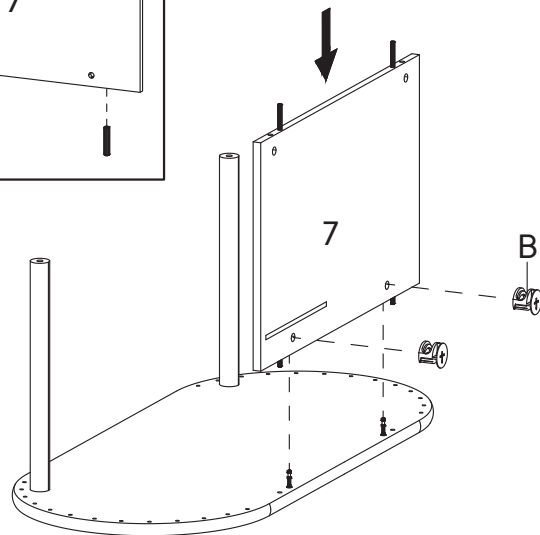
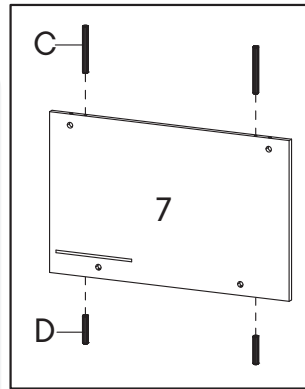
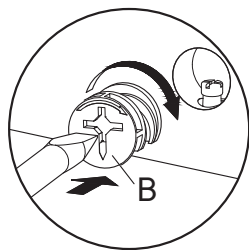
Step 3

HARDWARE

- B** Cam Lock $\varnothing 12$ mm x2
- C** Wood Dowel $\varnothing 6 \times 50$ mm x2
- D** Wood Dowel $\varnothing 6 \times 30$ mm x2

COMPONENTS

- 7** Back Board x1



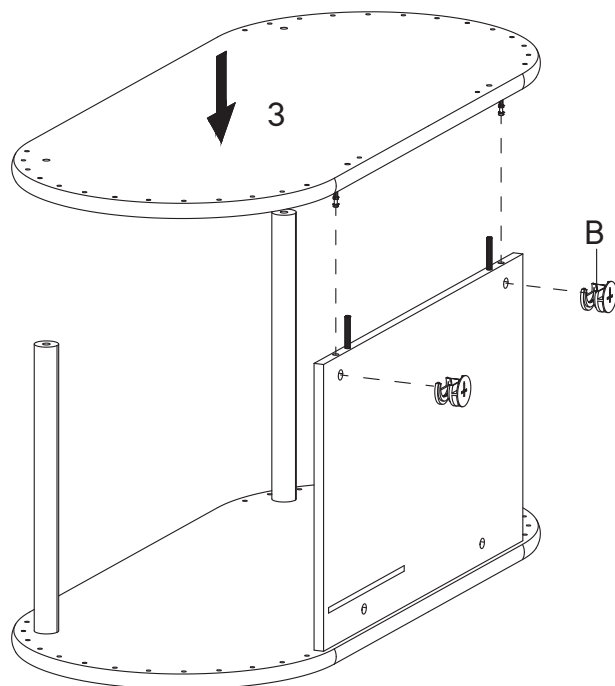
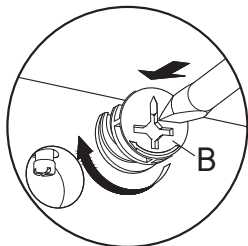
Step 4

HARDWARE

- B** Cam Lock $\varnothing 12$ mm x2

COMPONENTS

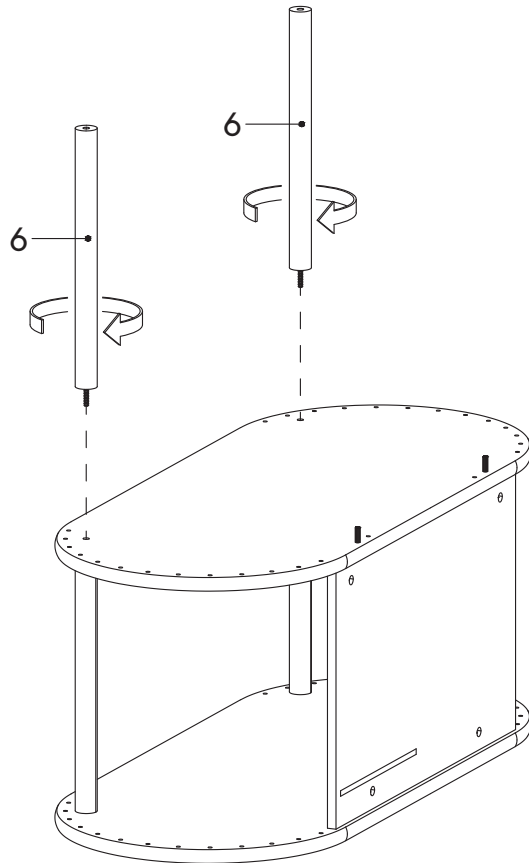
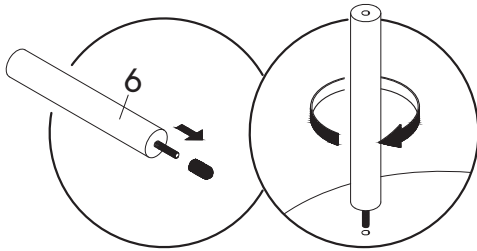
- 3** Fixed Shelf x1



Step 5

COMPONENTS

- 6** Pillar 2 x2



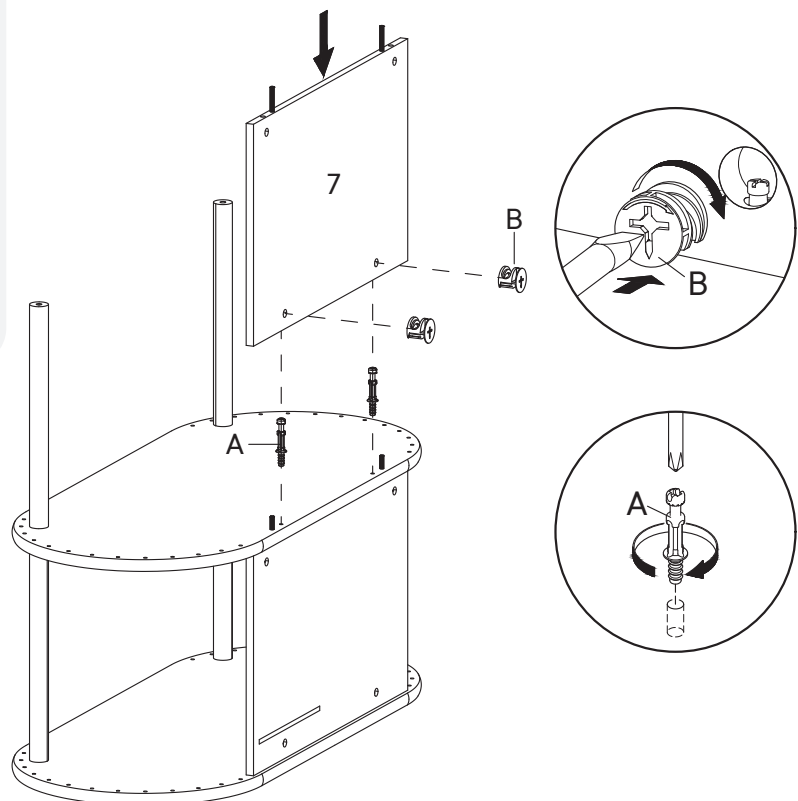
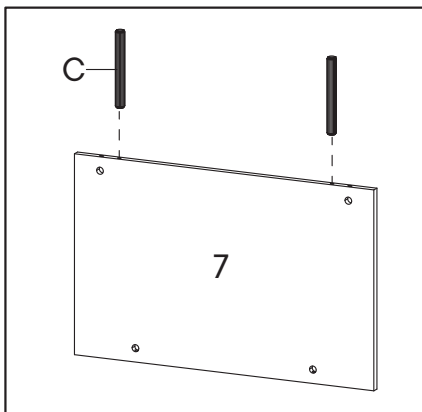
Step 6

HARDWARE

- A** Cam Bolt $\varnothing 6 \times 35$ mm x2
- B** Cam Lock $\varnothing 12$ mm x2
- C** Wood Dowel $\varnothing 6 \times 50$ mm x2

COMPONENTS

- 7** Back Board x1



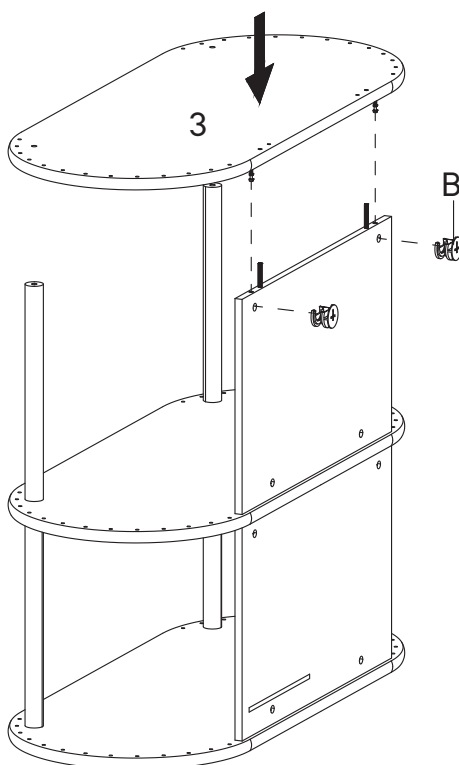
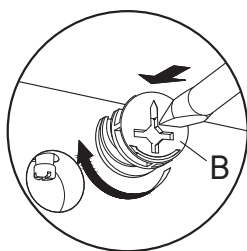
Step 7

HARDWARE

B Cam Lock Ø12 mm x2

COMPONENTS

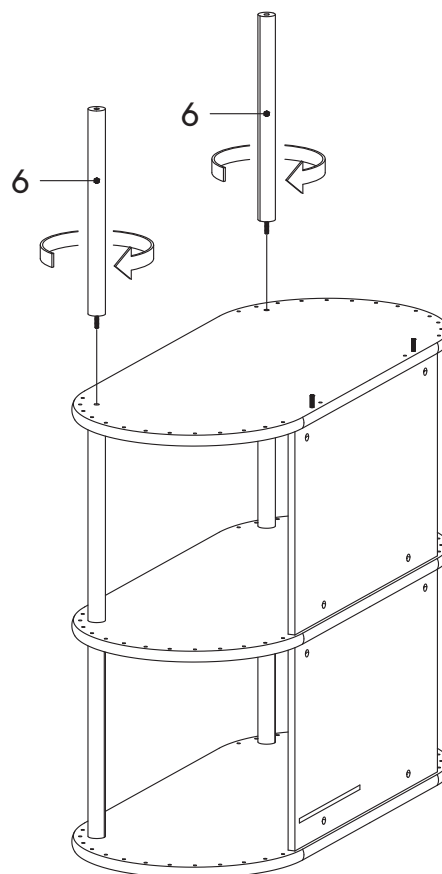
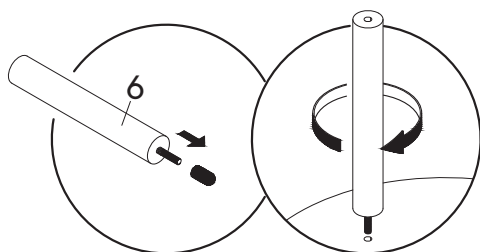
3 Fixed Shelf x1



Step 8

COMPONENTS

6 Pillar 2 x2



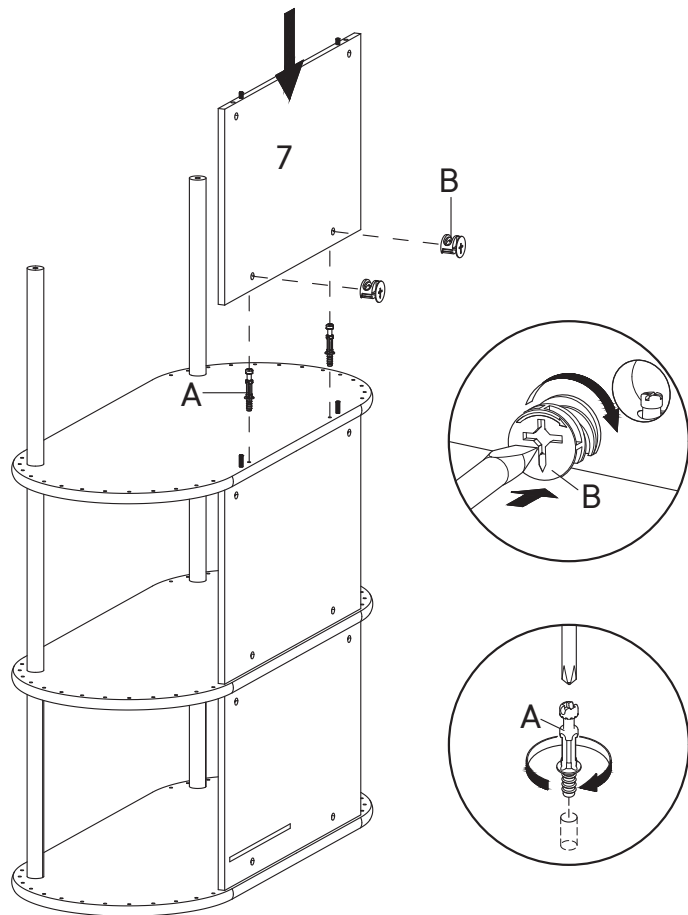
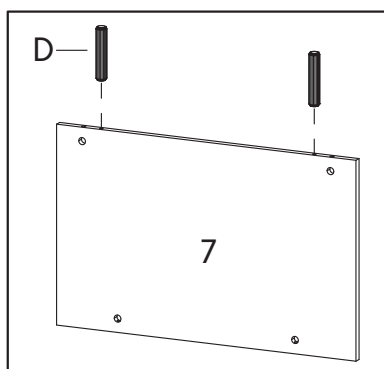
Step 9

HARDWARE

- A** Cam Bolt $\varnothing 6 \times 35$ mm x2
- B** Cam Lock $\varnothing 12$ mm x2
- D** Wood Dowel $\varnothing 6 \times 30$ mm x2

COMPONENTS

- 7** Back Board x1



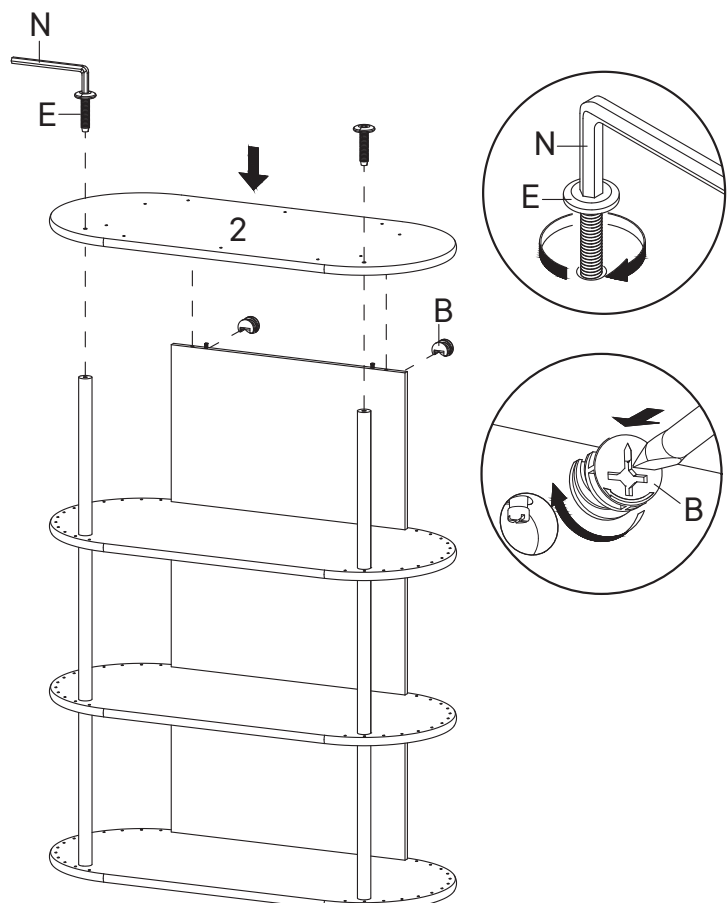
Step 10

HARDWARE

- B** Cam Lock $\varnothing 12$ mm x2
- E** Screw M 6 x 30 mm x2
- N** Allen Key x1

COMPONENTS

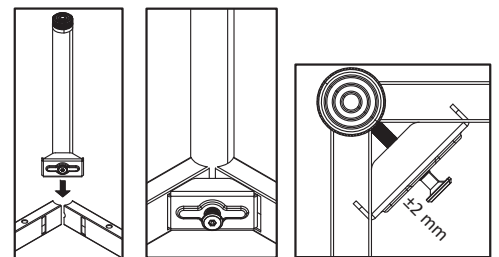
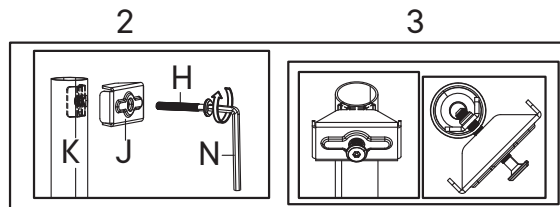
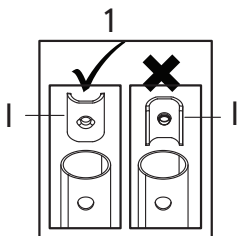
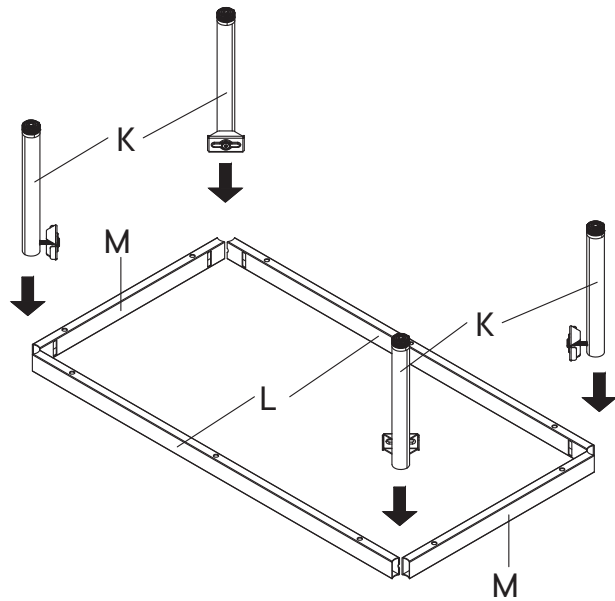
- 2** Bottom Board x1



Step 11

HARDWARE

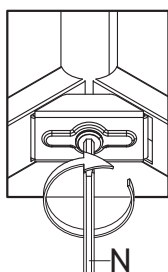
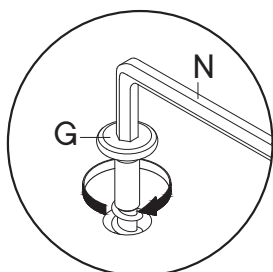
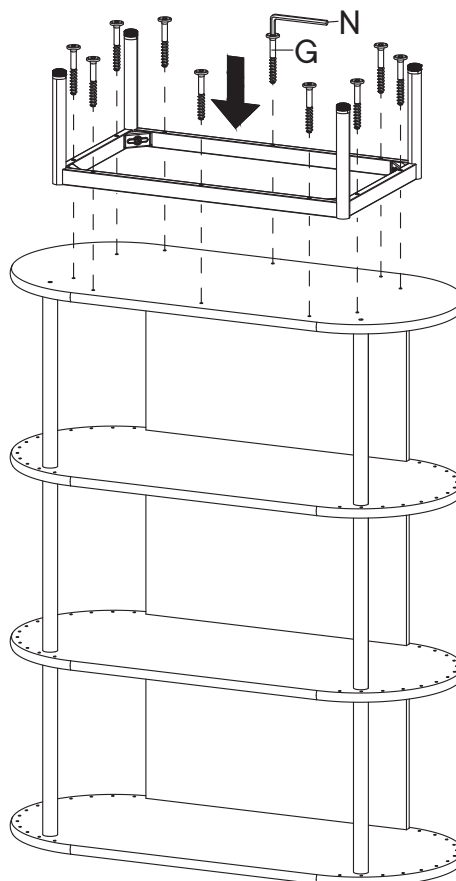
- H** Screw M 6 x 40 mm x4
- I** Support Corner Brace x4
- J** Corner Brace x4
- K** Metal Leg x4
- L** Support Metal Leg 1 x2
- M** Support Metal Leg 2 x2
- N** Allen Key x2



Step 12

HARDWARE

- G** Screw M 6.4 x 45 mm x10
- N** Allen Key x1



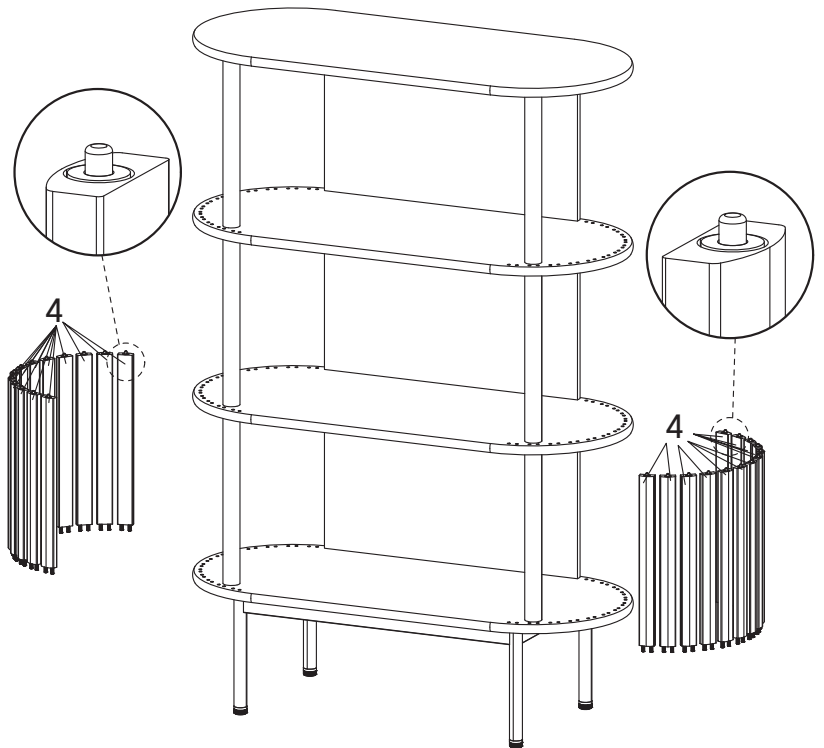
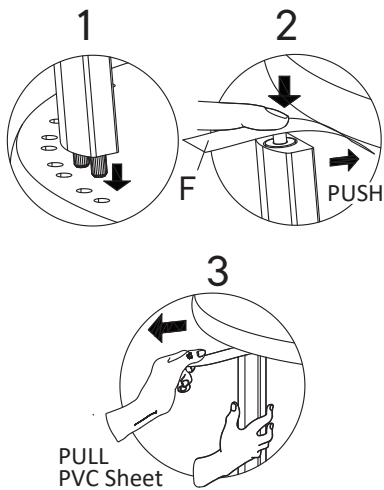
Step 13

HARDWARE

F PVC Sheet x2

COMPONENTS

4 Bar Side x26



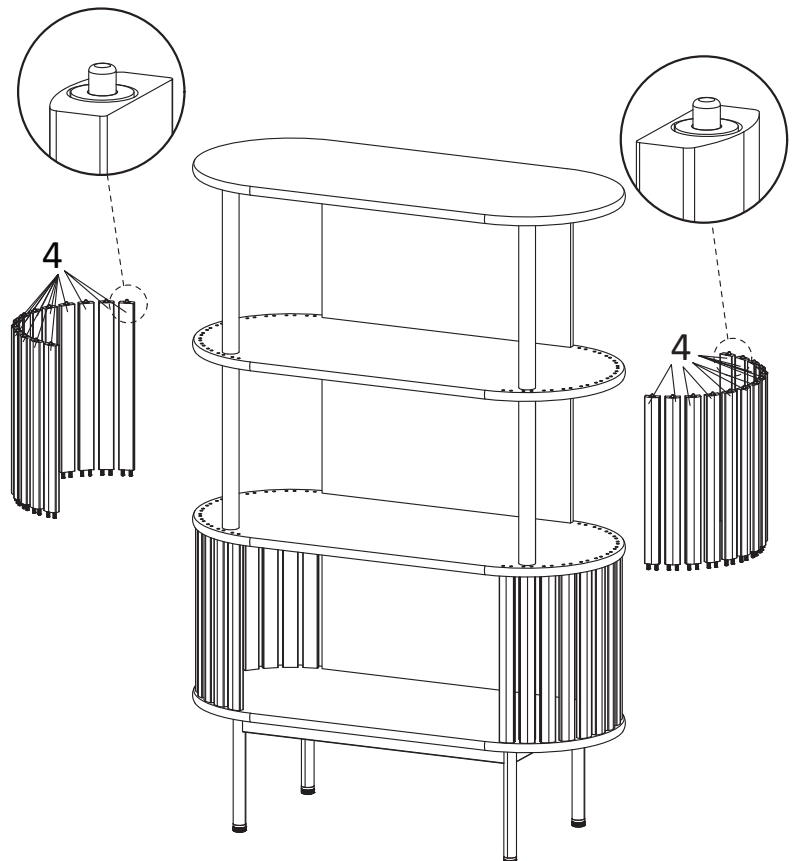
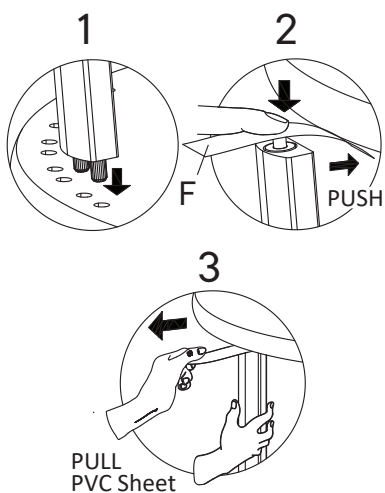
Step 14

HARDWARE

F PVC Sheet x2

COMPONENTS

4 Bar Side x26



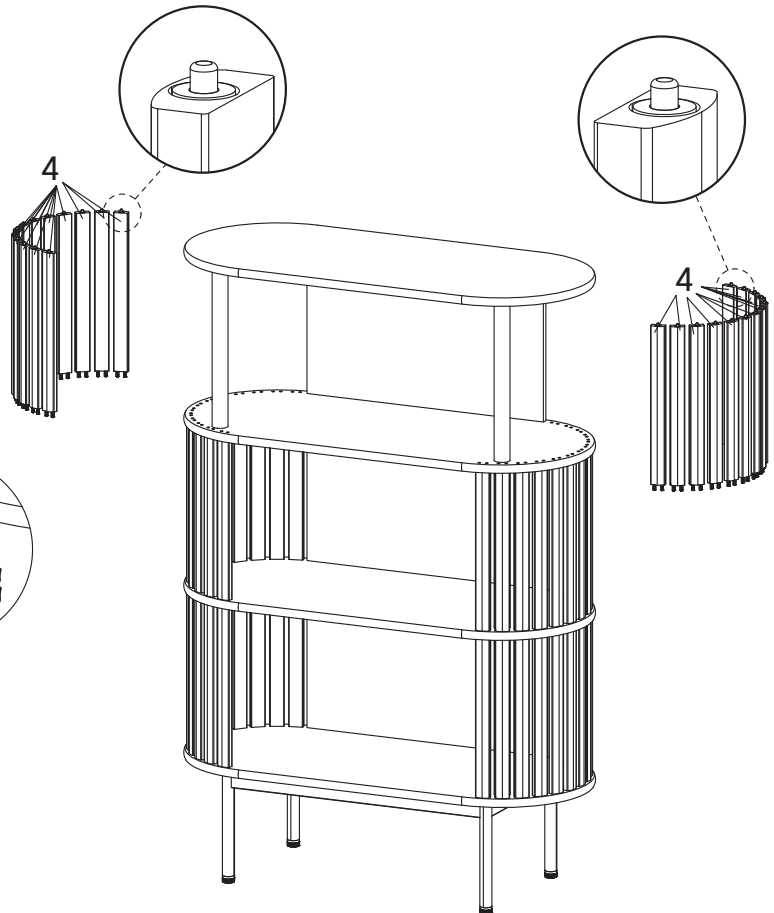
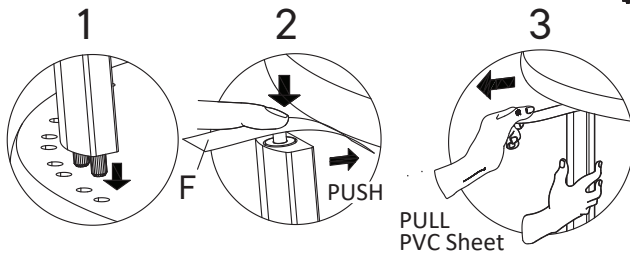
Step 15

HARDWARE

F PVC Sheet x2

COMPONENTS

4 Bar Side x27



Only need 26 pcs of (4) Bar Side for assembly, the package comes with extra 1 piece for spare.

Great job!

Cabinet assembly is complete.

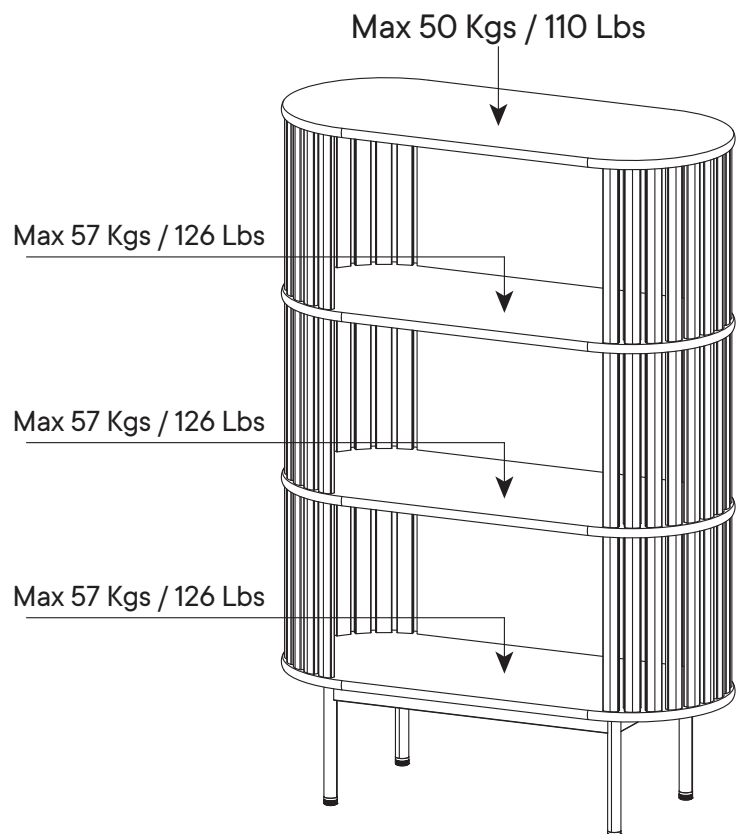
♥ CARING FOR YOUR ITEM

Indoor use only.

Not contract grade.

Clean using a non-abrasive cloth and a mild cleaner.

Never use harsh chemicals, as they could damage the finish or integrity of the item.



CONNECT WITH US!   

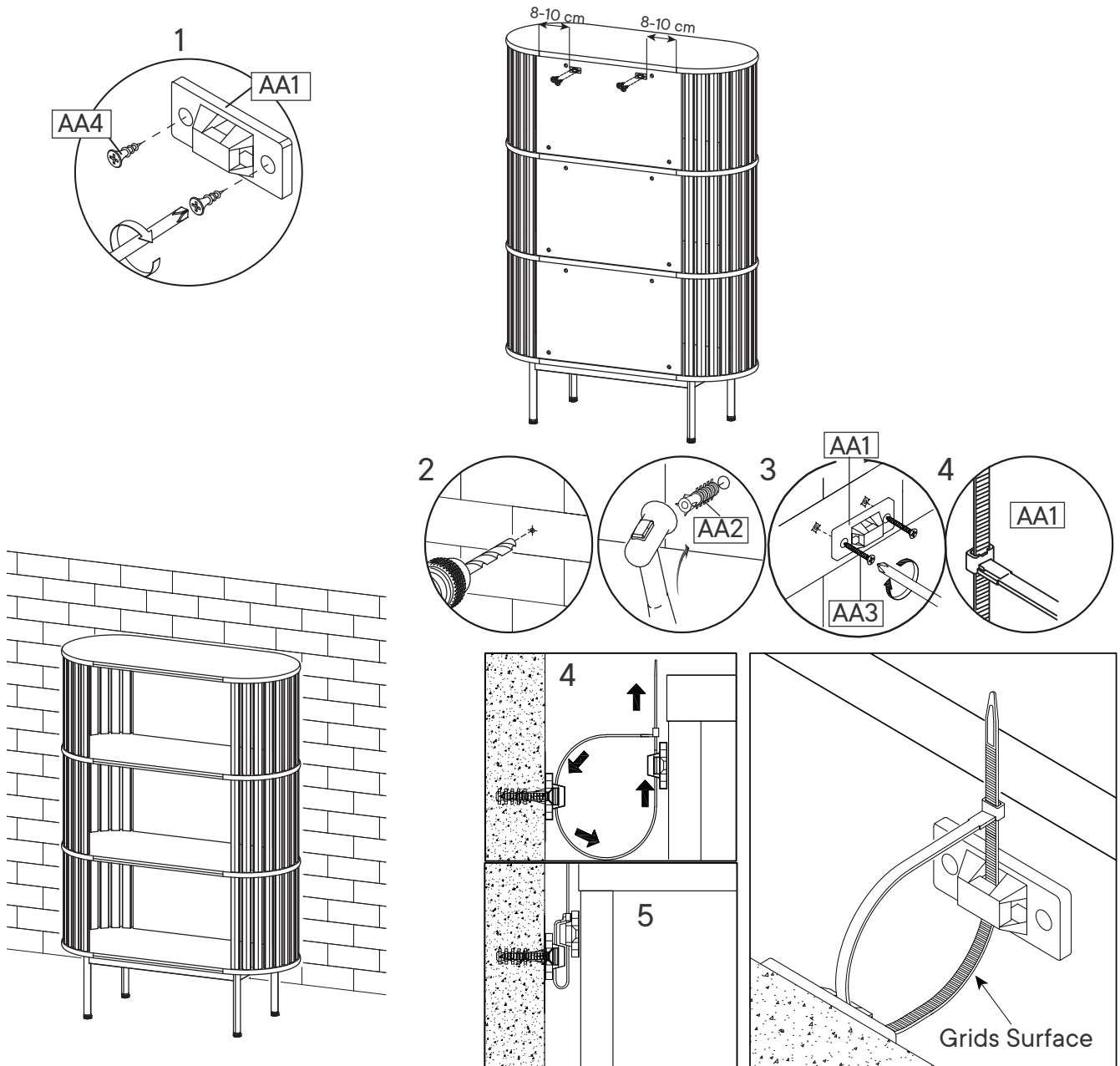
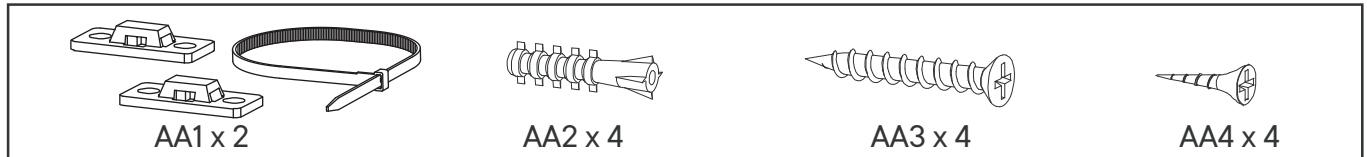
Tag us @modway_furniture and #modway for a chance to be featured.

TIPPING RESTRAINTS KIT INSTALLATION GUIDANCE

Different wall materials require unique wall fasteners.

The wall plugs (AA2) and screws (AA3) are designed for fixing to concrete walls only.

Please consult your local hardware store to ensure you are using the correct hardware for you wall type.



Installation Instructions :

1. Attach bracket (AA1) securely to the back top of the furniture using screw (AA4) provided. Allow 8 - 10 cm from each side.
2. Please make a hole for wall plugs position on the wall and minimum 15 mm below bracket secured to the back of unit attach the wall plugs (AA2).
3. Locate the other bracket (AA1) on the wall over wall plugs (AA2). Place furniture into position so both brackets (AA1) are vertically in the line.
4. Lace the end of the restraints strap through the larger hole in each bracket. Ensure the restraints strap with grids surface facing the inner loops. Bring both ends together and slide the flat end through the locking end and draw it through until all slack is removed.
5. Make sure that the strap is securely laced & locked.