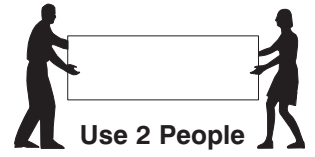
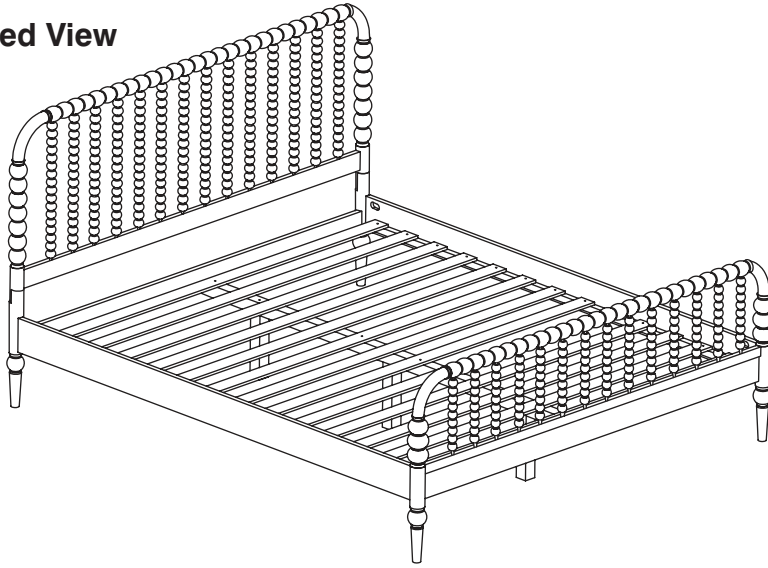


0110-4 Queen Bed

Assembly Instructions

WI-0524

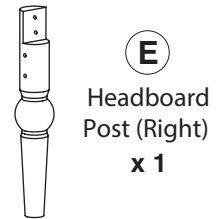
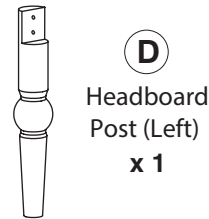
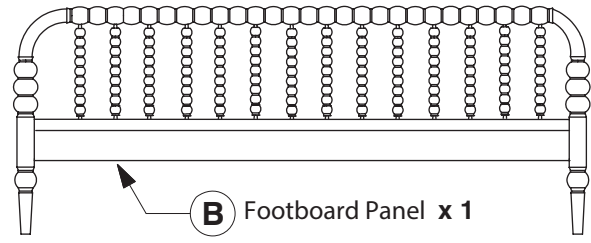
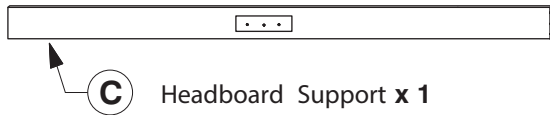
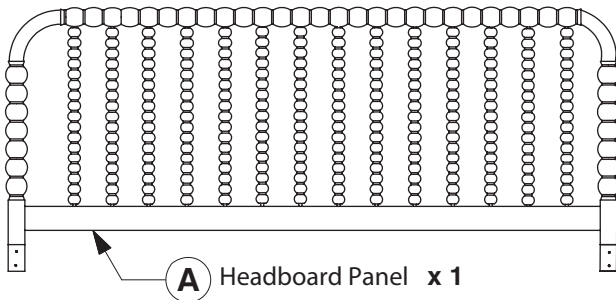
1 Assembled View



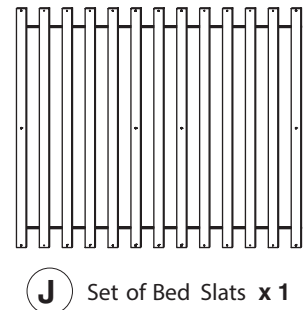
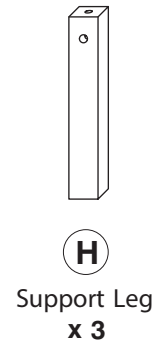
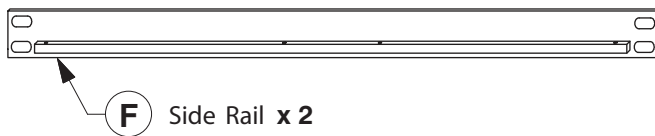
Note: Do not assemble using power tools. This can cause the bolts to be overtightened

2

Parts in Box A:



Parts in Box B:

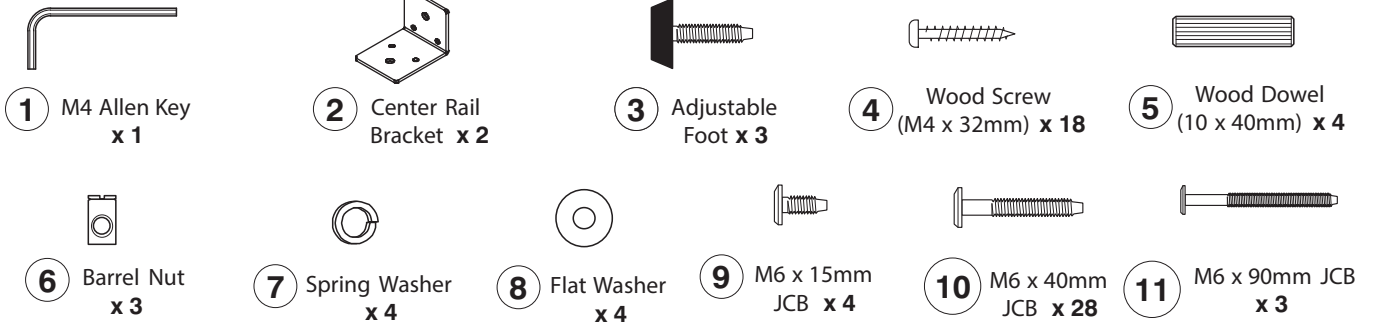


0110-4 Queen Bed

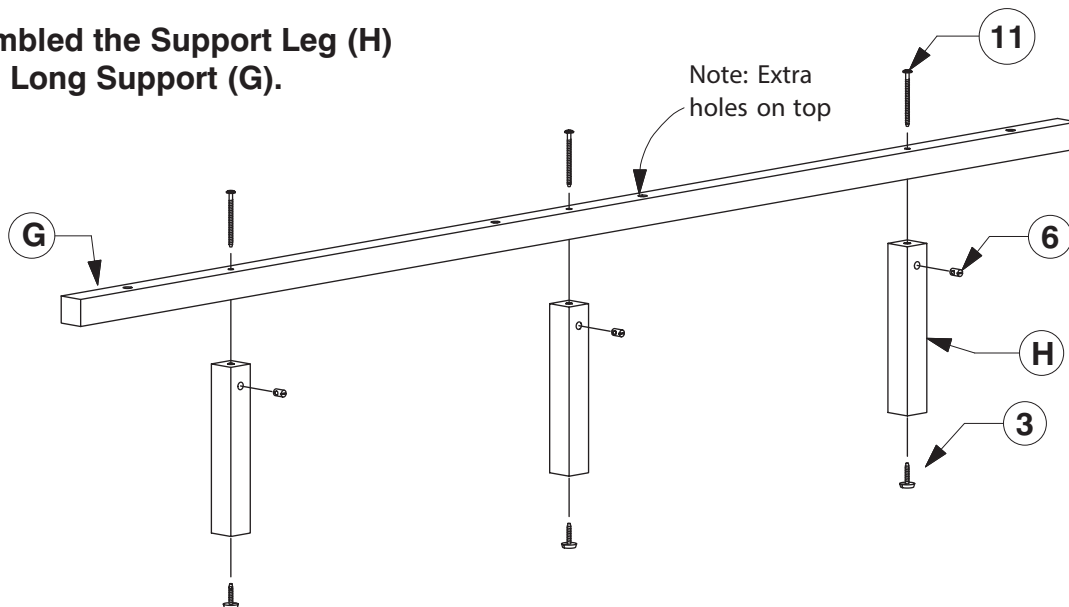
Assembly Instructions

WI-0524

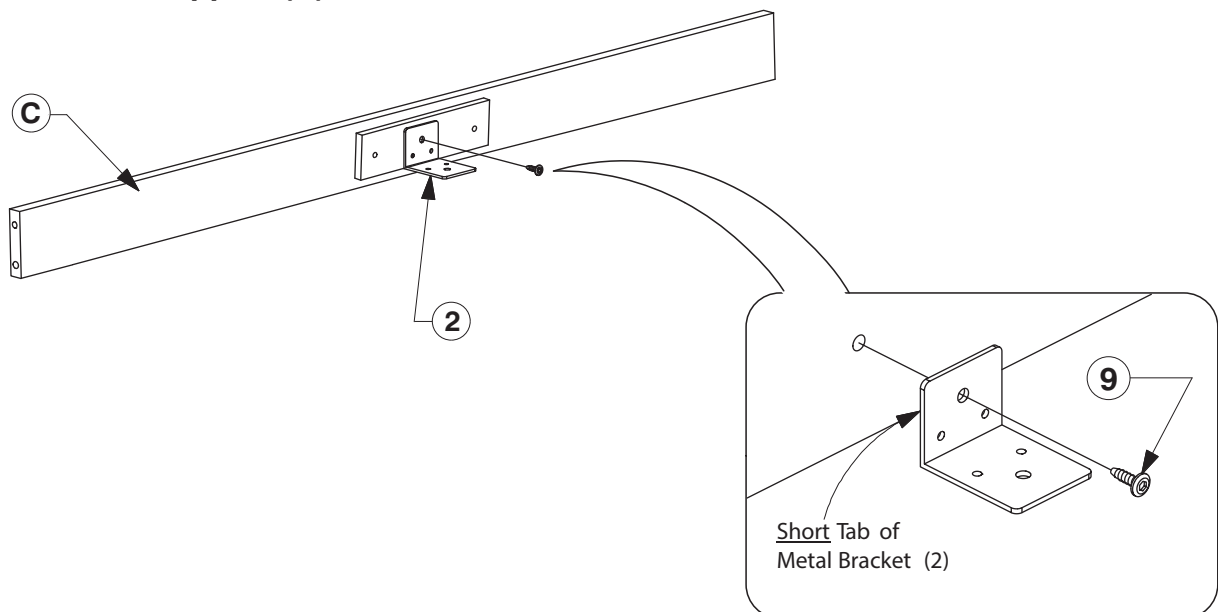
3 Hardware List



4 Assembled the Support Leg (H) to the Long Support (G).



5 Fit the Center Rail Bracket (2) to the Headboard Support (C).

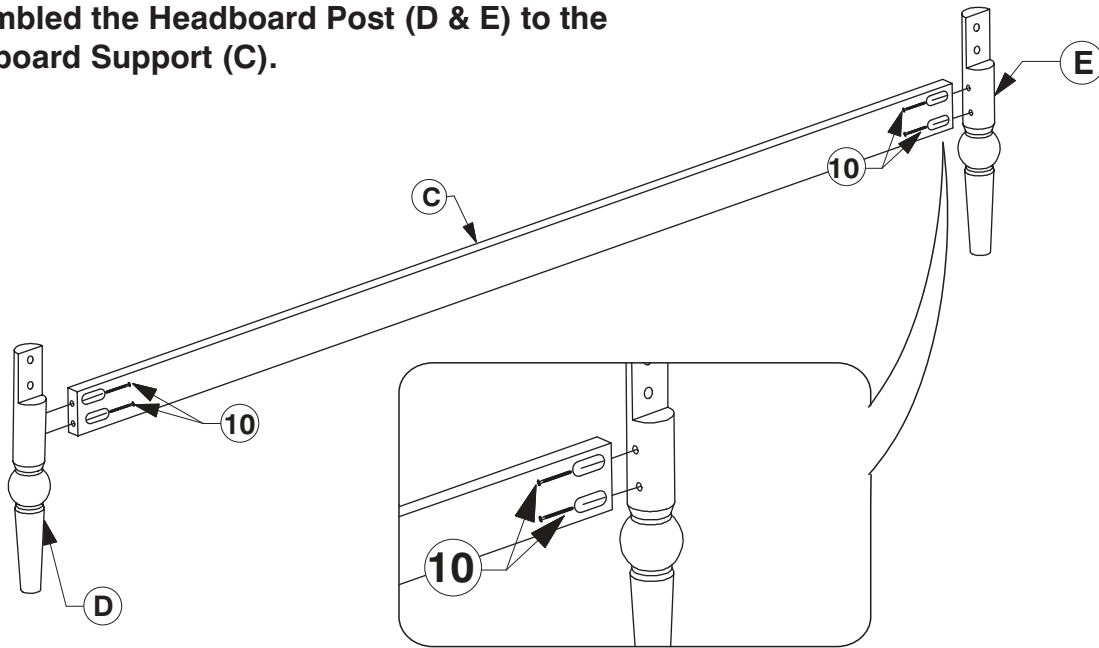


0110-4 Queen Bed

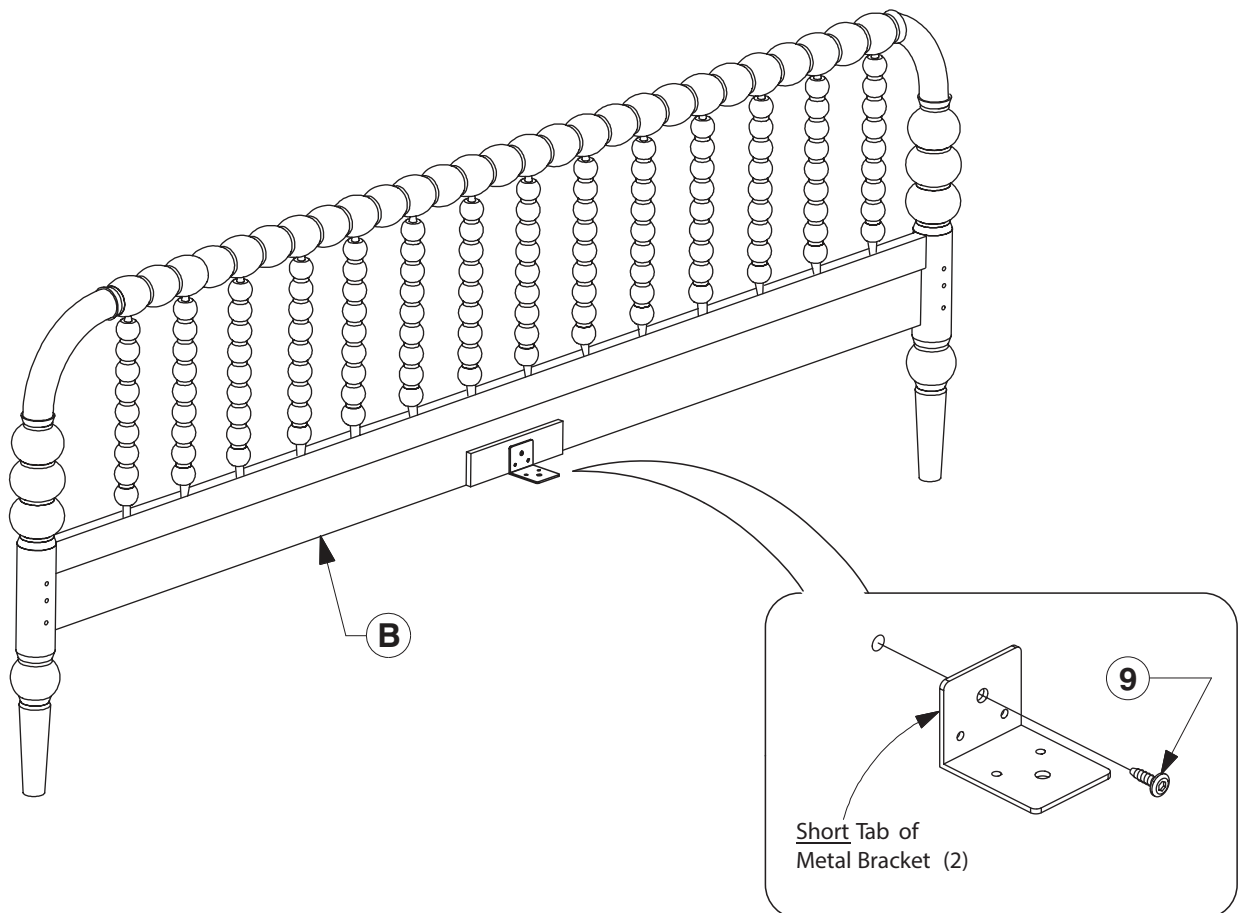
Assembly Instructions

WI-0524

- 6** Assembled the Headboard Post (D & E) to the Headboard Support (C).



- 7** Fit the Center Rail Bracket (2) to the Footboard Panel (B).

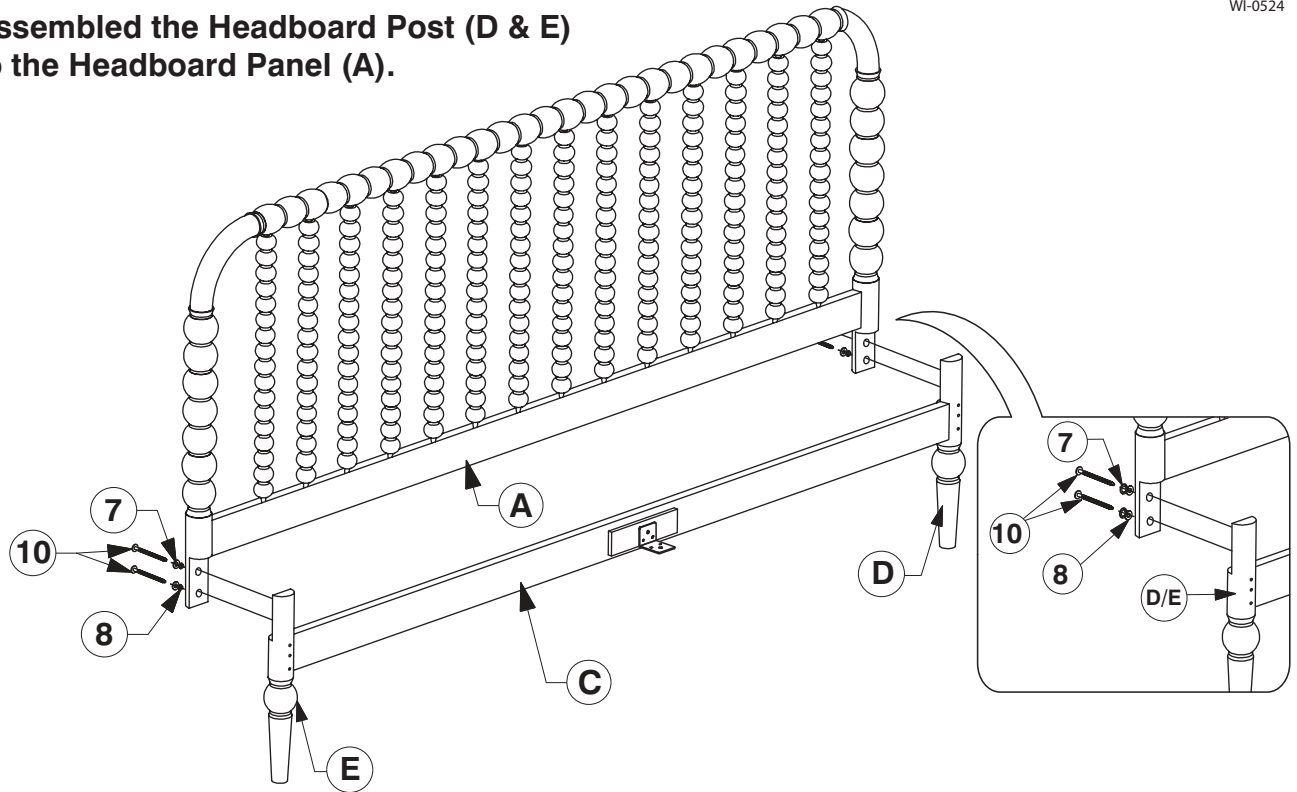


0110-4 Queen Bed

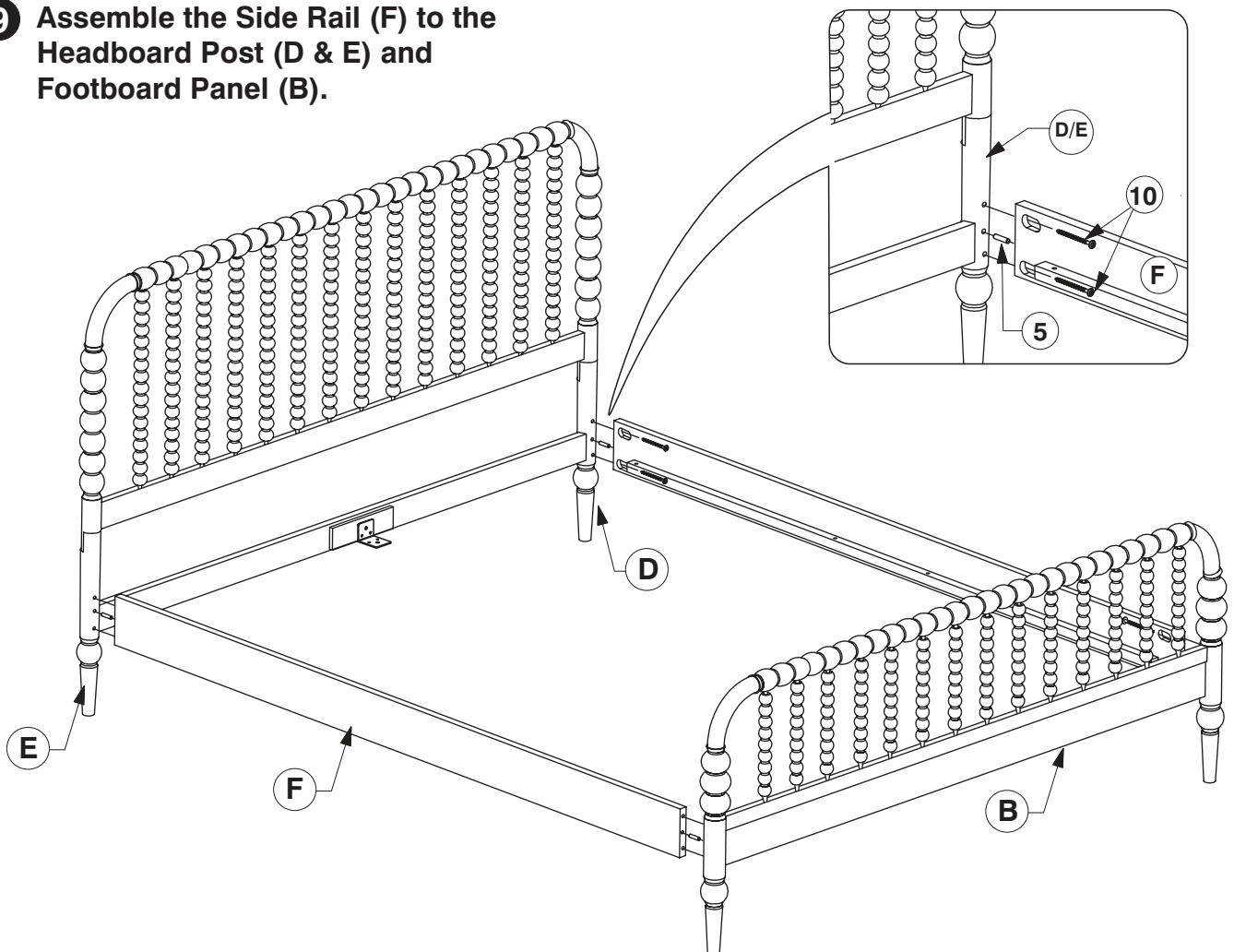
Assembly Instructions

WI-0524

- 8** Assembled the Headboard Post (D & E) to the Headboard Panel (A).



- 9** Assemble the Side Rail (F) to the Headboard Post (D & E) and Footboard Panel (B).

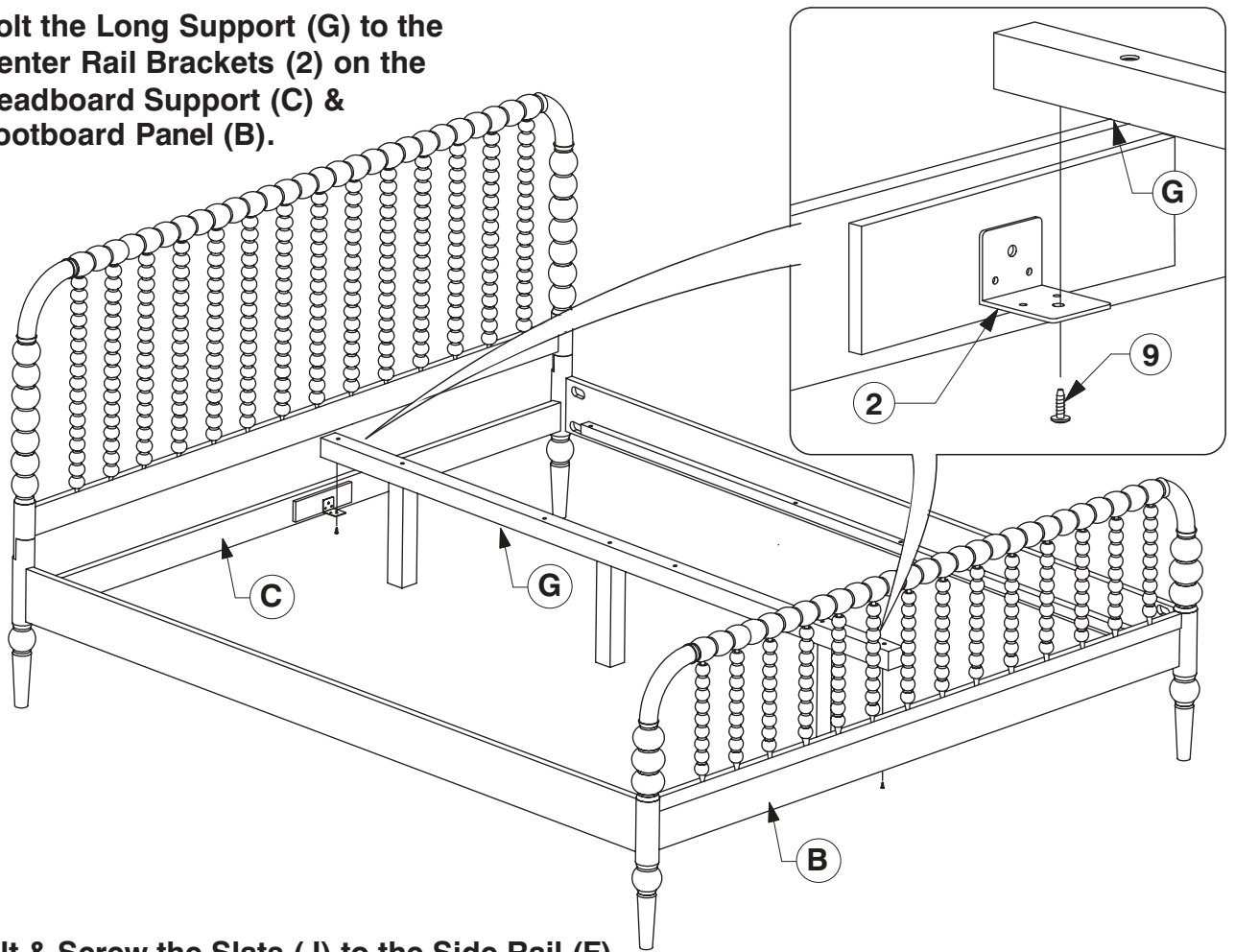


0110-4 Queen Bed

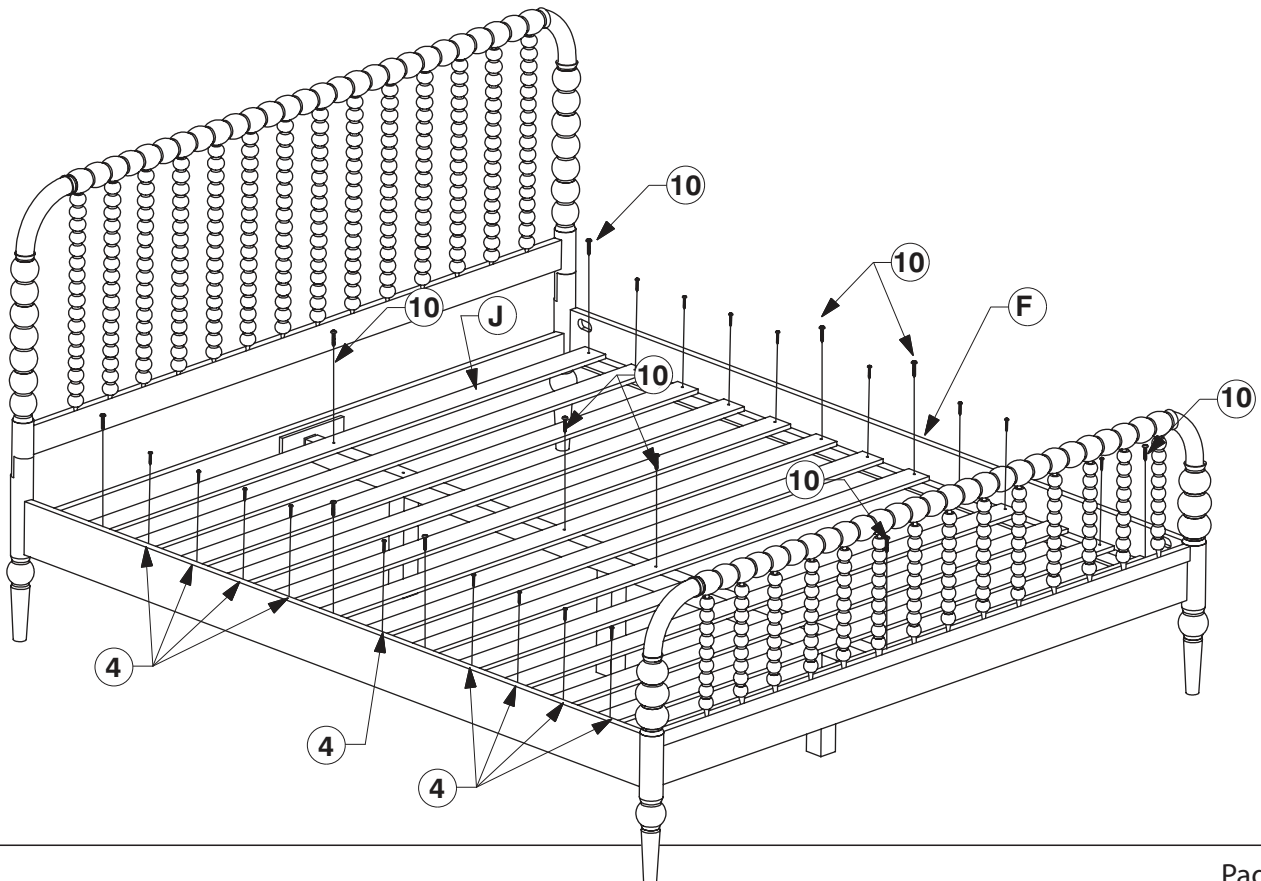
Assembly Instructions

WI-0524

- 10** Bolt the Long Support (G) to the Center Rail Brackets (2) on the Headboard Support (C) & Footboard Panel (B).



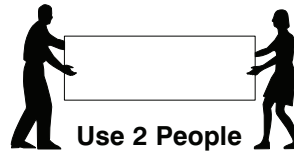
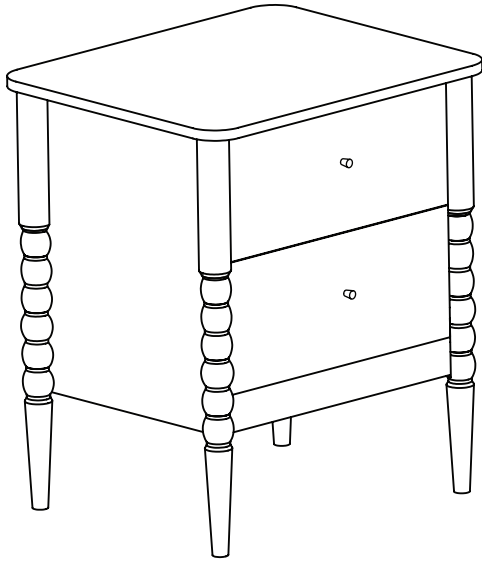
- 11** Bolt & Screw the Slats (J) to the Side Rail (F).



9011 2 Drawer Nightstand

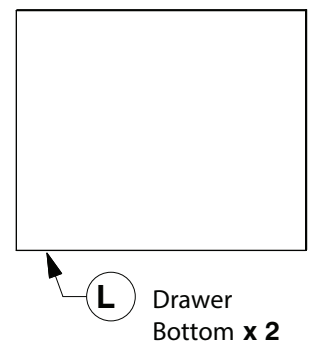
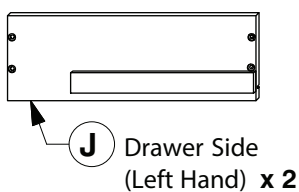
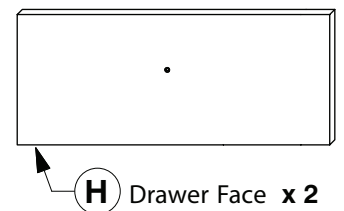
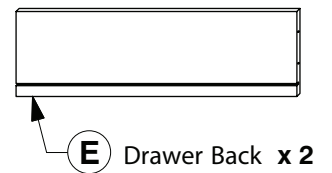
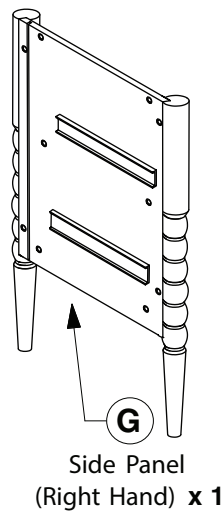
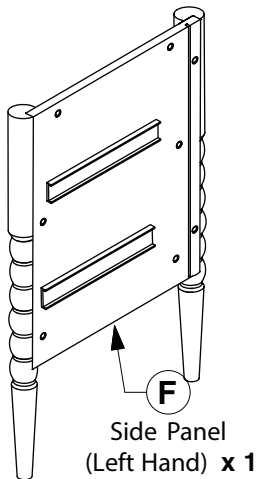
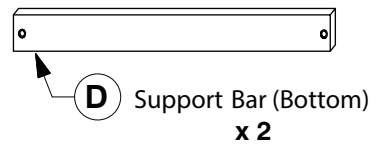
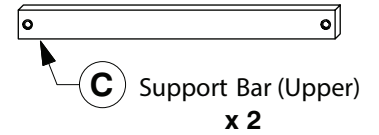
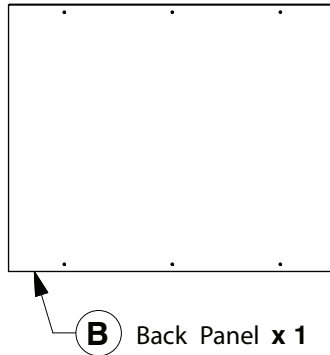
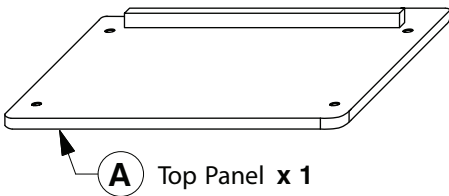
Assembly Instructions

WI-0724



Note: Do not assemble using power tools. This can cause the bolts to be overtightened

1 Parts List


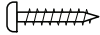
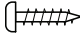
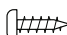

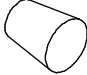




9011 2 Drawer Nightstand

Assembly Instructions

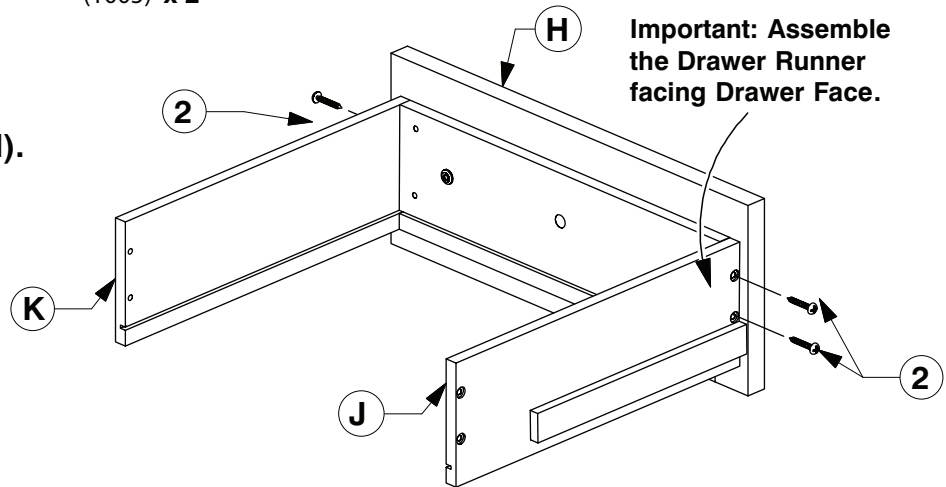
WI-0924

2 Hardware List

- | | | | |
|--|--|---|---|
| 
1 M6 x 15mm
JCB x 24 | 
2 M4 x 25mm
Wood Screw x 16 | 
3 M4 x 20mm
Wood Screw x 8 | 
4 M4 x 16mm
Wood Screw x 6 |
| 
5 'L' Bracket
(5005-3) x 12 | 
6 Handle
(1005) x 2 | 
7 M4 x 20mm
Wood Screw x 2 | 
8 Allen Key
x 1 |

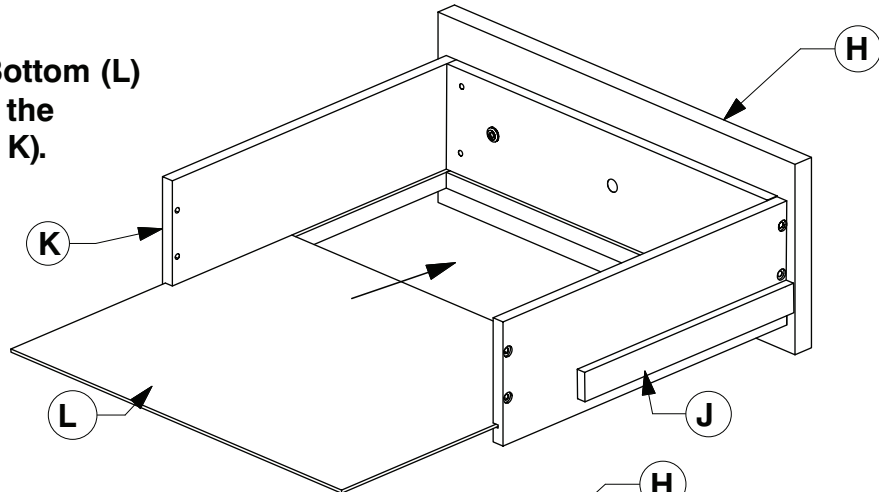
3 Assemble the Drawer Sides (J & K) to the Drawer Face (H).

x2



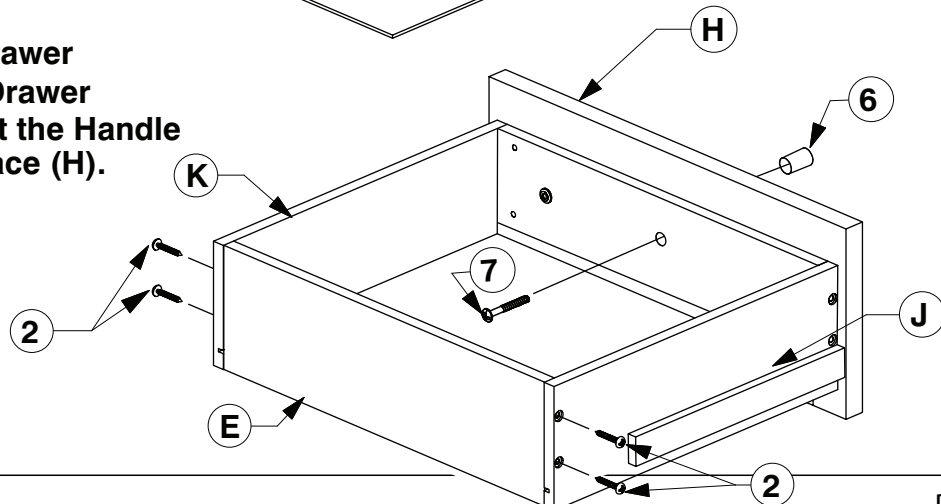
4 Slide the Drawer Bottom (L) into the groove on the Drawer Sides (J & K).

x2



5 Assemble the Drawer Back (E) to the Drawer Sides (J & K). Fit the Handle to the Drawer Face (H).

x2

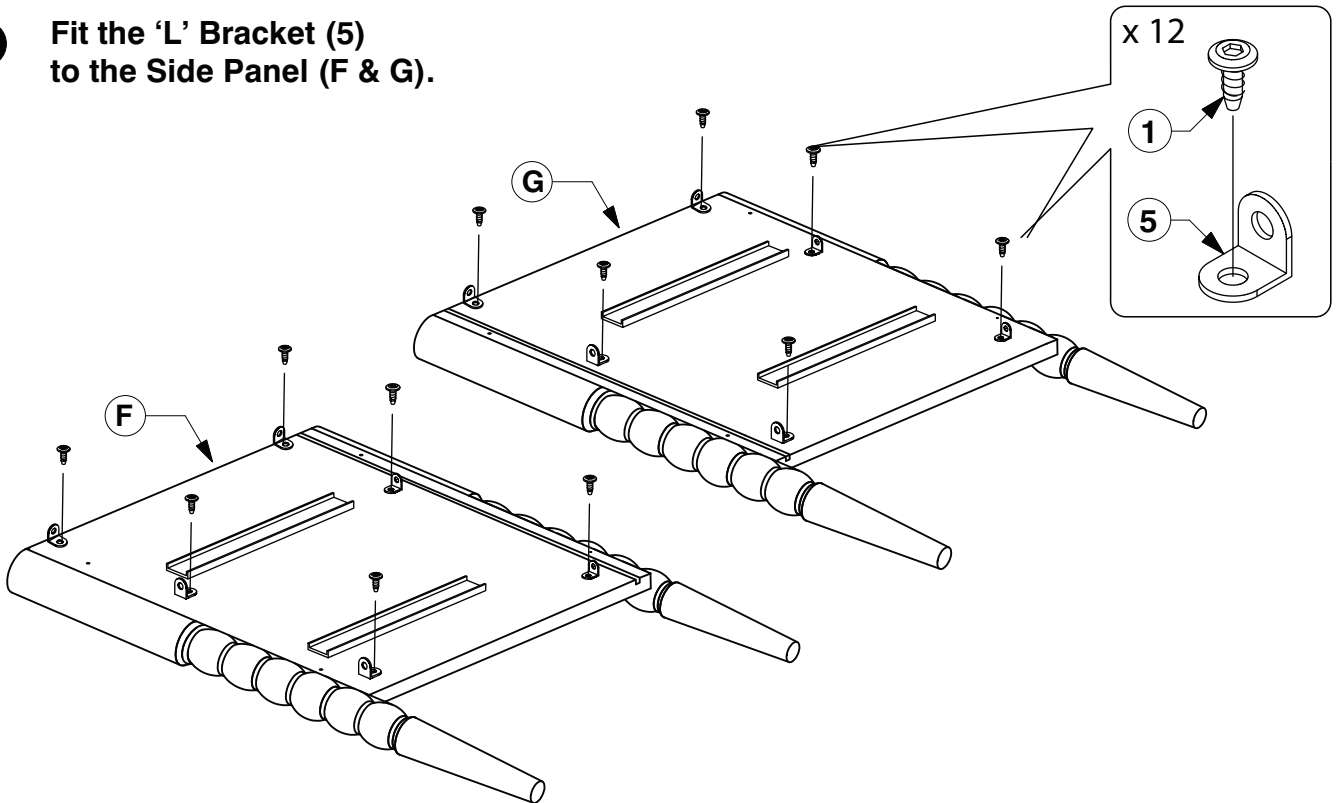


9011 2 Drawer Nightstand

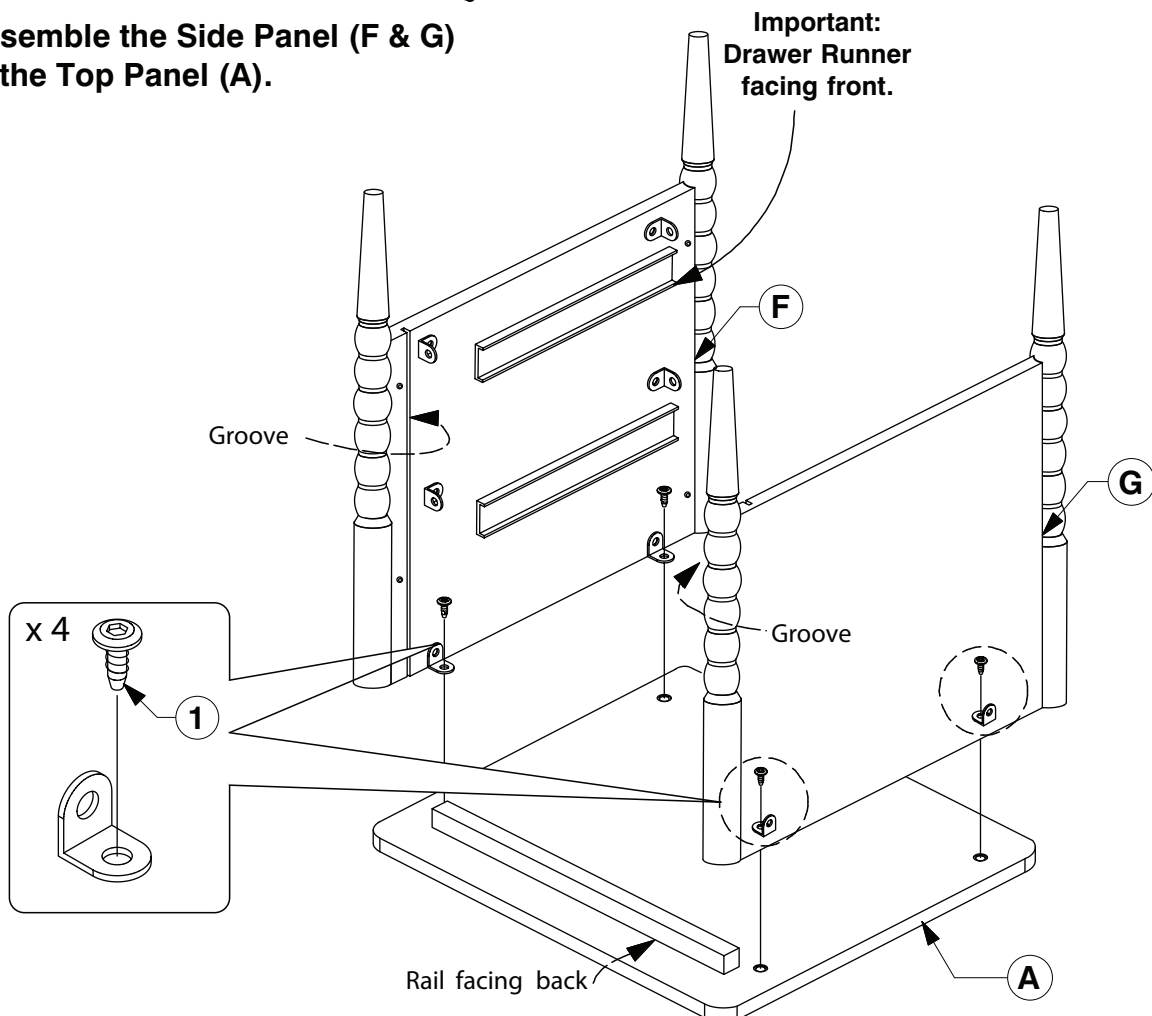
Assembly Instructions

WI-0724

- 6** Fit the 'L' Bracket (5) to the Side Panel (F & G).



- 7** Assemble the Side Panel (F & G) to the Top Panel (A).

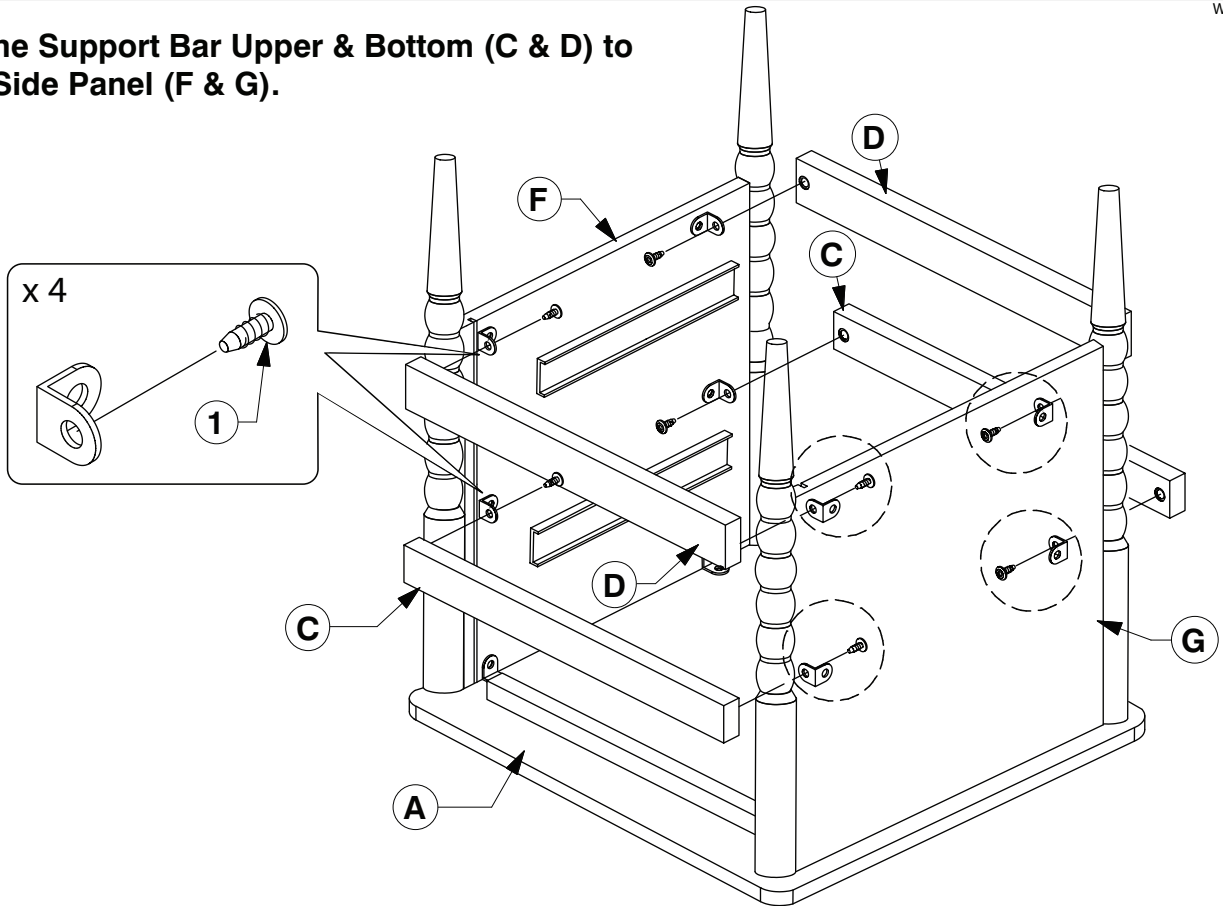


9011 2 Drawer Nightstand

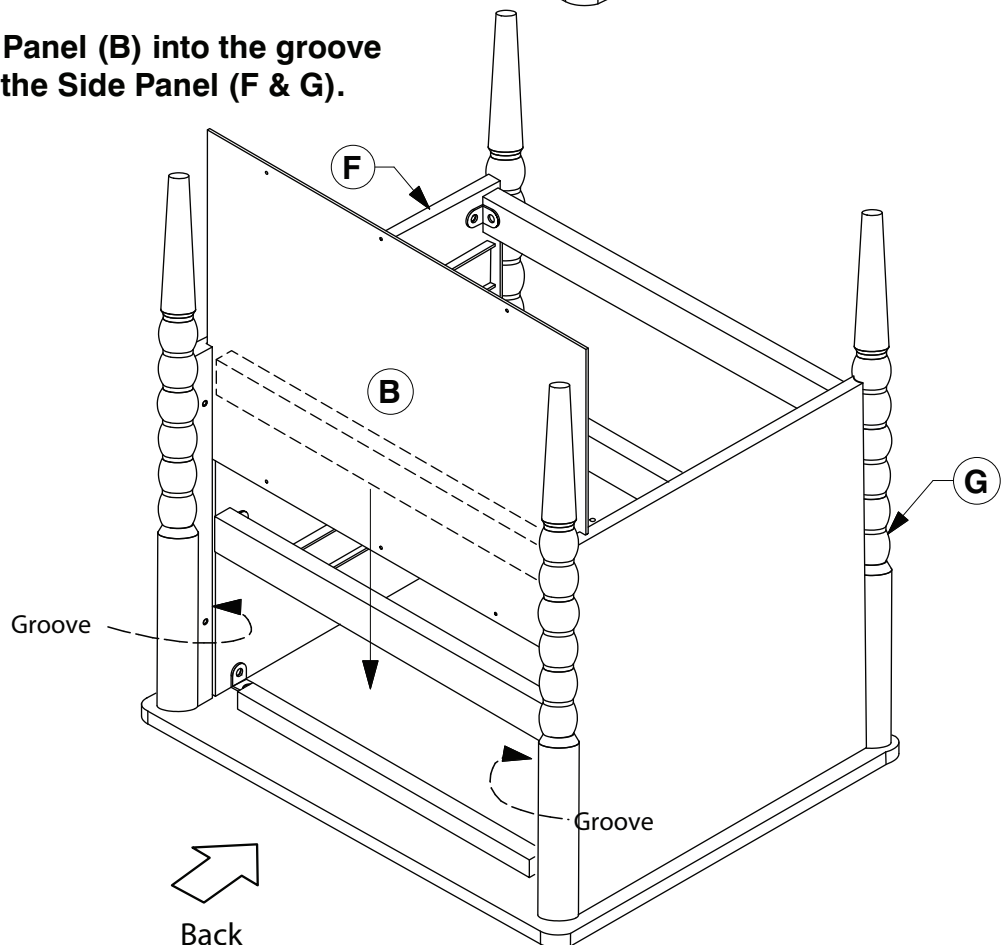
Assembly Instructions

WI-0724

- 8** Fit the Support Bar Upper & Bottom (C & D) to the Side Panel (F & G).



- 9** Slide the Back Panel (B) into the groove on the back of the Side Panel (F & G).

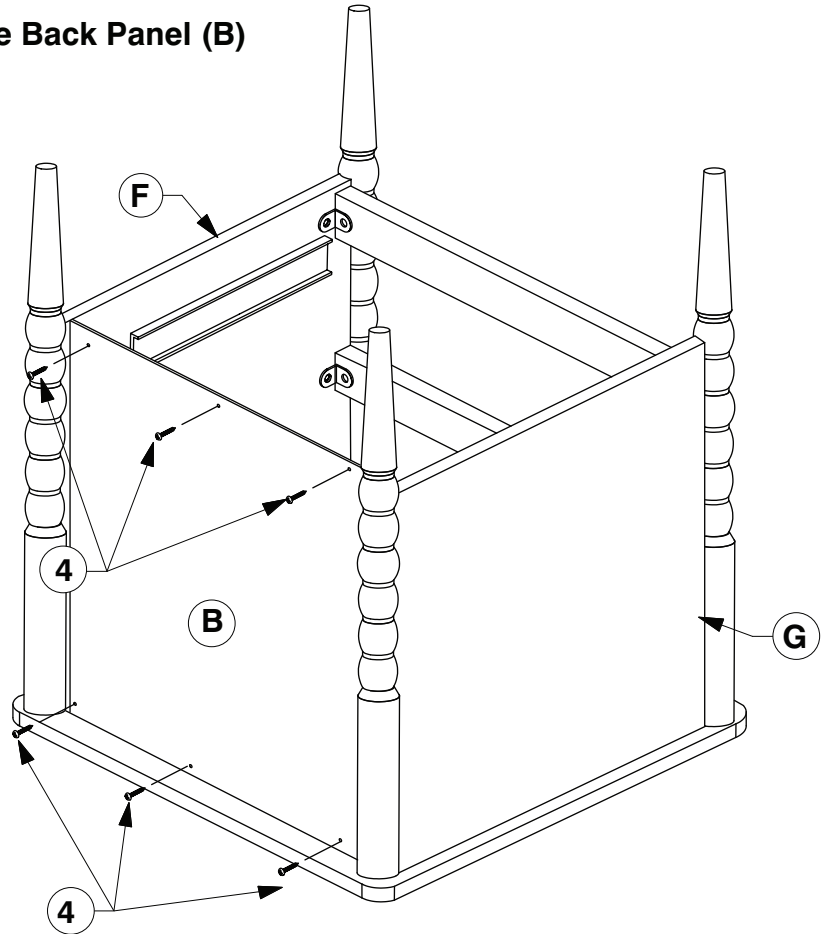


9011 2 Drawer Nightstand

Assembly Instructions

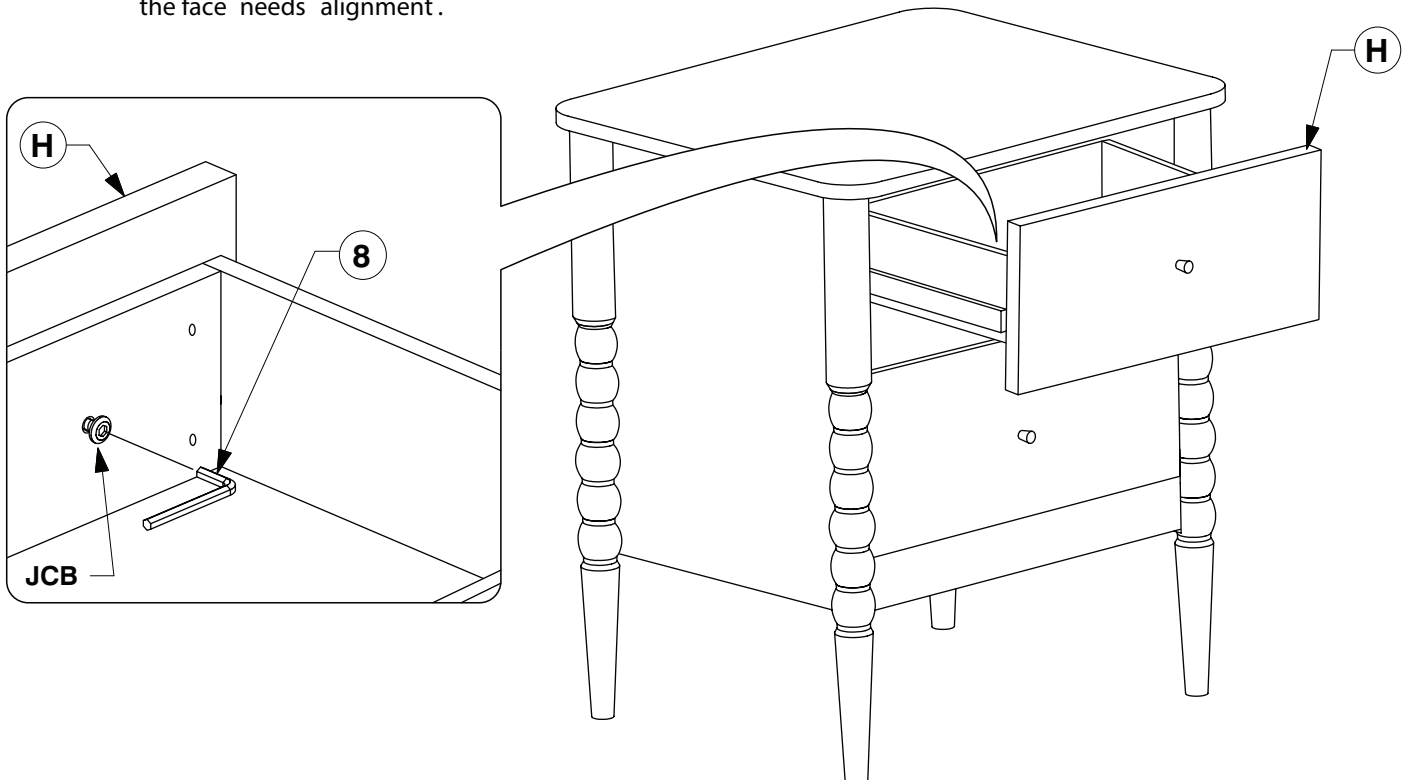
WI-0724

- 10** Use Screw to tighten the Back Panel (B) to the back of frame.



- 11** Fit and adjust the Drawer Face (H).

* NOTE: Before fitting the Wood Screws .
Losen the JCBs on the Drawer Face if the face needs alignment.



9011 2 Drawer Nightstand

Assembly Instructions

WI-0924

12 After the Drawer Faces (H) are aligned, secure with wood screws.

