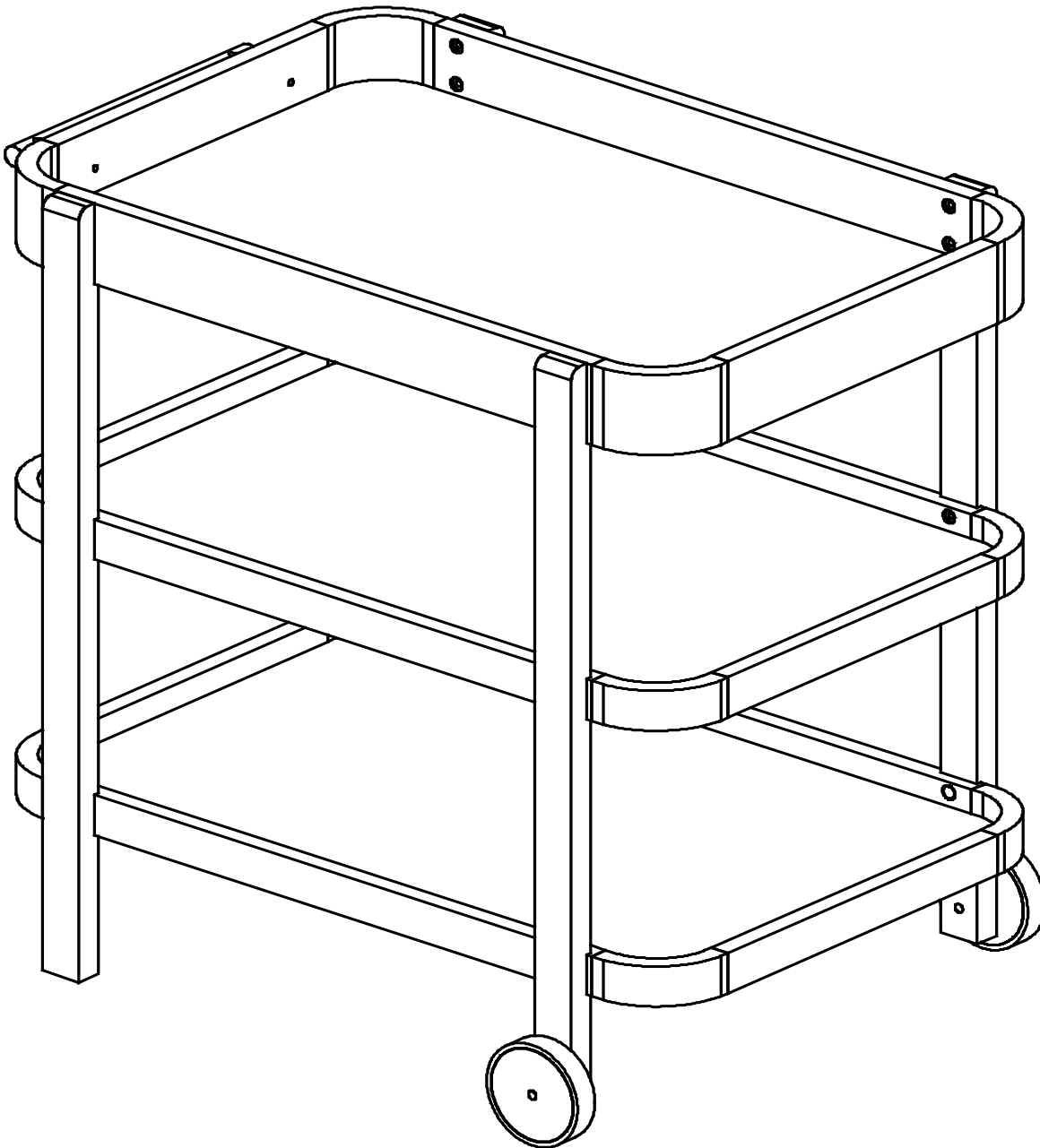


Assembly Instructions

Caution: You must read this before you proceed.

BARCART

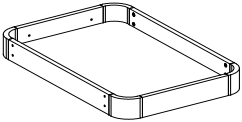
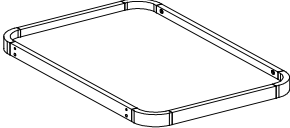


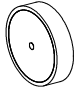


Caution: This Barcart is NOT a TOY.


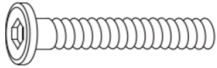
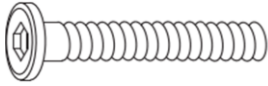

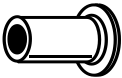


Keep your child/children at bay during the assembly process.

Whenever moving/lifting the Barcart and to prevent damage to the Barcart, two adults are needed to execute these actions.

Part List

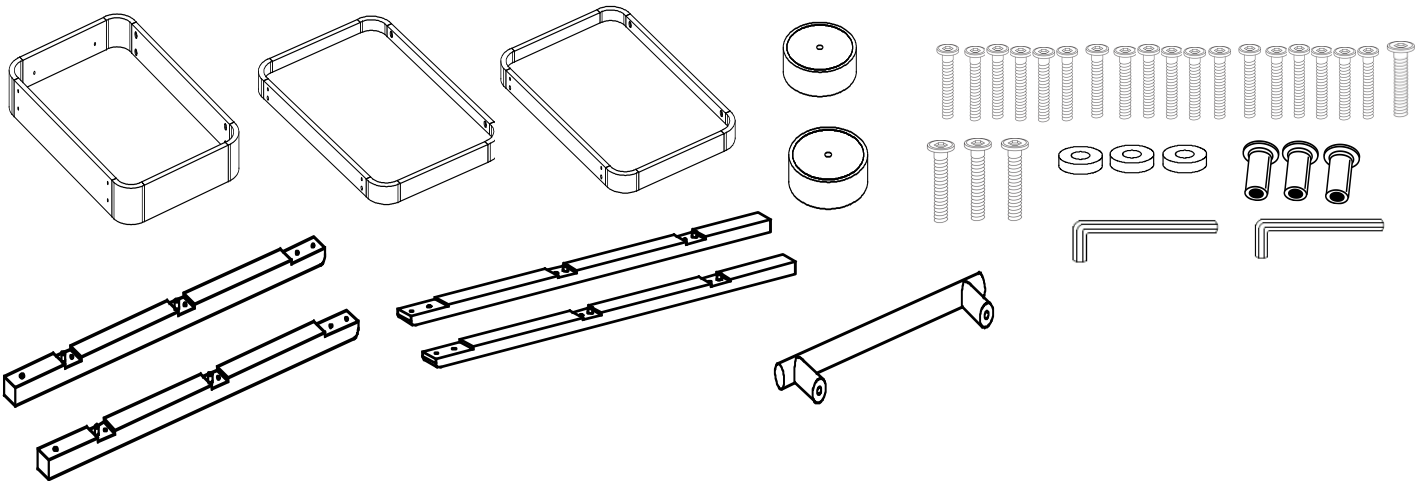
No.	Picture	Description	Qty
A		Upper Tray	1
B		Lower Tray	2
C		Long Legs	2
D		Short Legs	2
E		Wheel	2






Hardware

No.	Picture	Description	Qty
①		Handle	1
②		Bolt (M6x30mm)	19
③		Bolt (M8x40mm)	3
④		Washer (D30xT5mm)	3
⑤		Sleeve Nut (M8x23mm(CapØ18mm))	3
⑥		Allen Key (4mm)	1
⑦		Allen Key(5mm)	1

Assembly Preparation

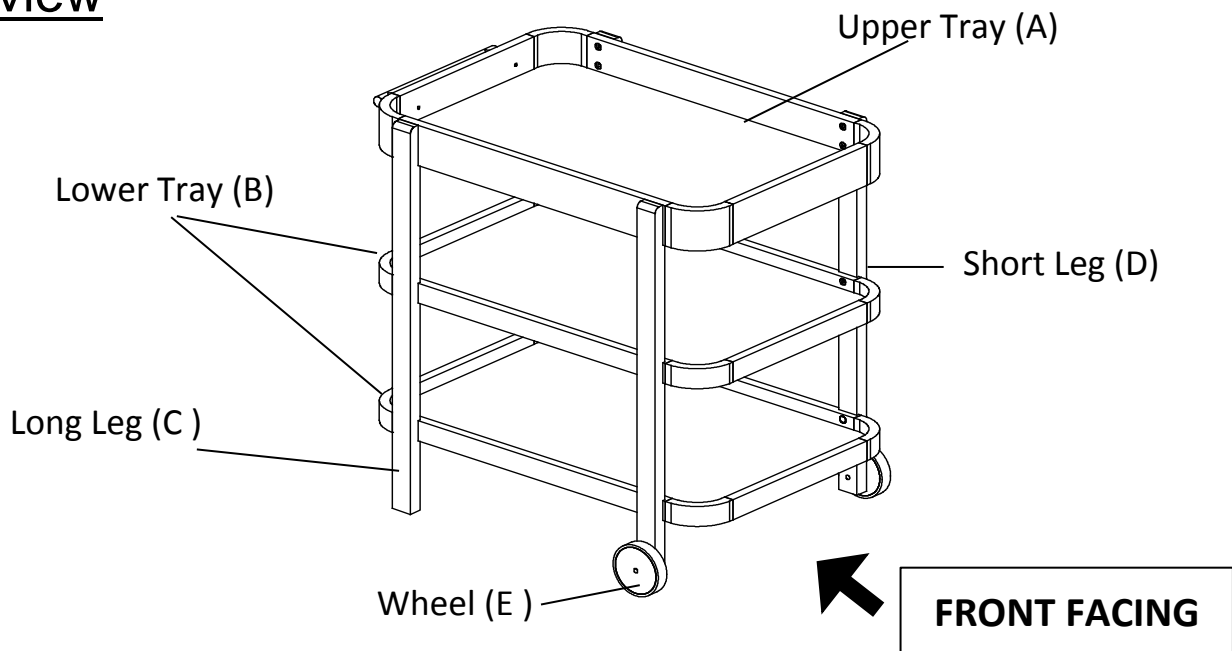
Before Beginning Assembly:



-  Read instructions, cover to cover.
-  Have 2 adults on hand for assembly.
-  Do not assemble on flooring or carpet.
-  Assemble on a clean non-marring surface (packing foam).
-  Save all packaging until finished.

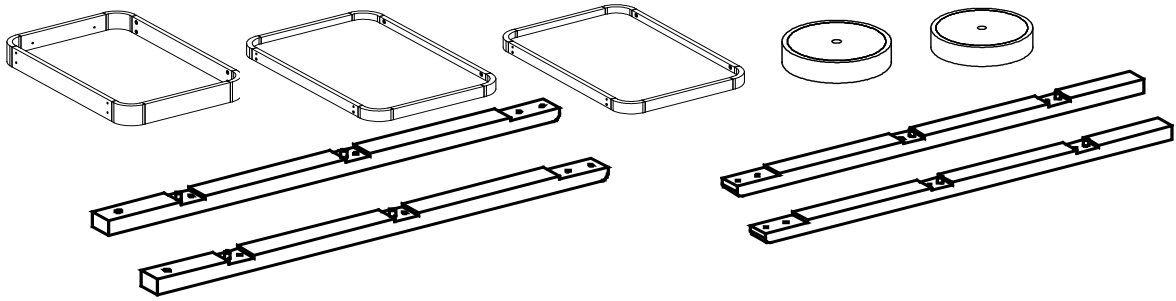
Assembly Steps

Overview



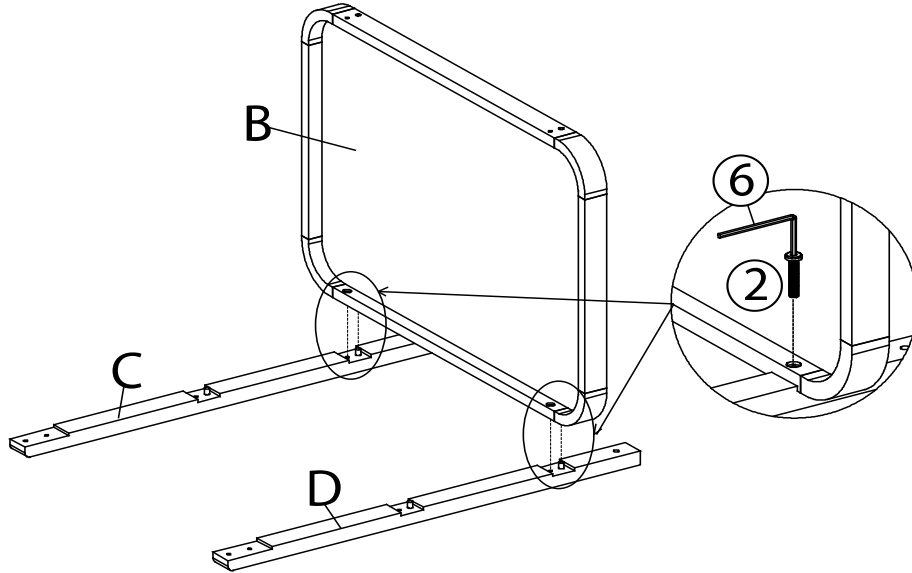
This Barcart has multiple parts and may require up to 30 minutes to assemble. To give you an overview of the Right Barcart parts, the above picture is to help you put the various parts into perspective. Please read through the instructions below to familiarise yourself with the parts and steps before assembly.

Step 1



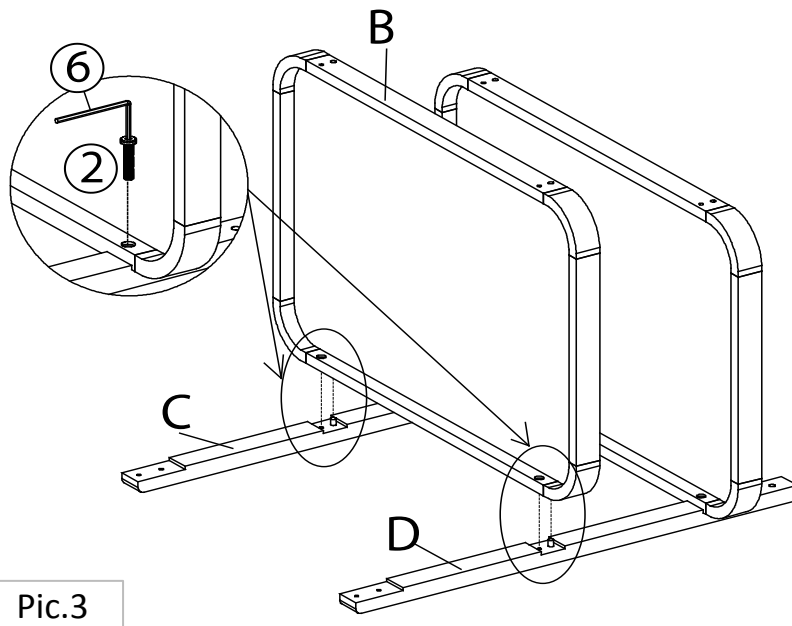
Unpack and place all parts on a clean, non-marring surface.

Step 2



Place the Long Leg(C), Short Leg (D) facedown as shown in picture above.
With the assistance from your partner, position Lower Tray(B) sideways, secure the Lower Tray (B) to Long Leg (C), Short Leg (D) using Bolts(2) and with Allen Key(6) as shown in the picture above
Do not fully tighten the Bolts.

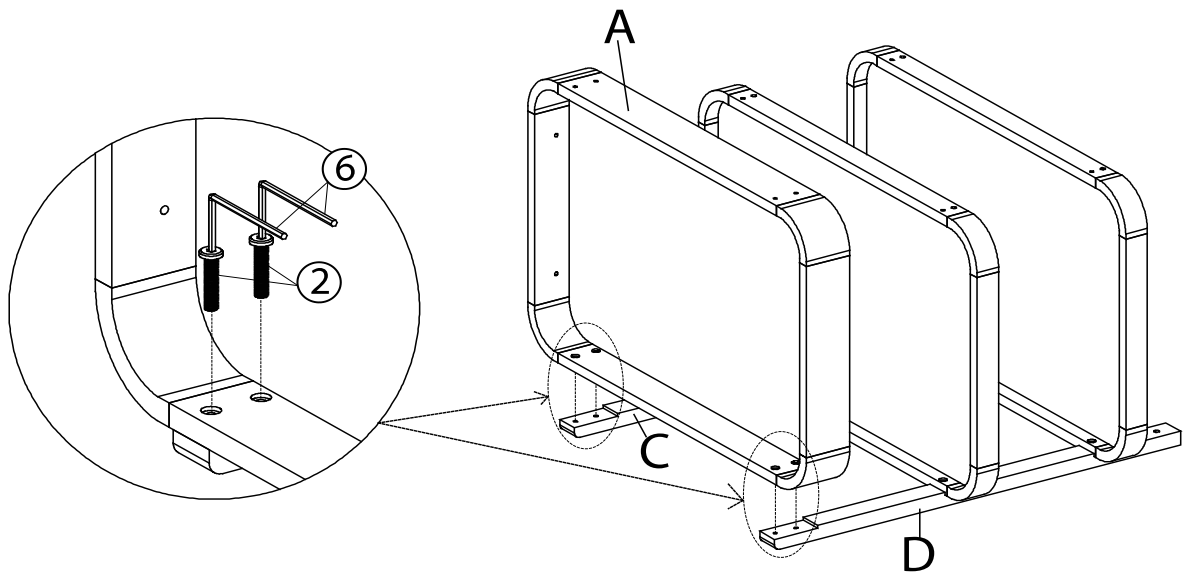
Step 3



Pic.3

Then, repeat the same process for the Lower Tray(B) as shown in the picture above.
Do not fully tighten the Bolts.

Step 4

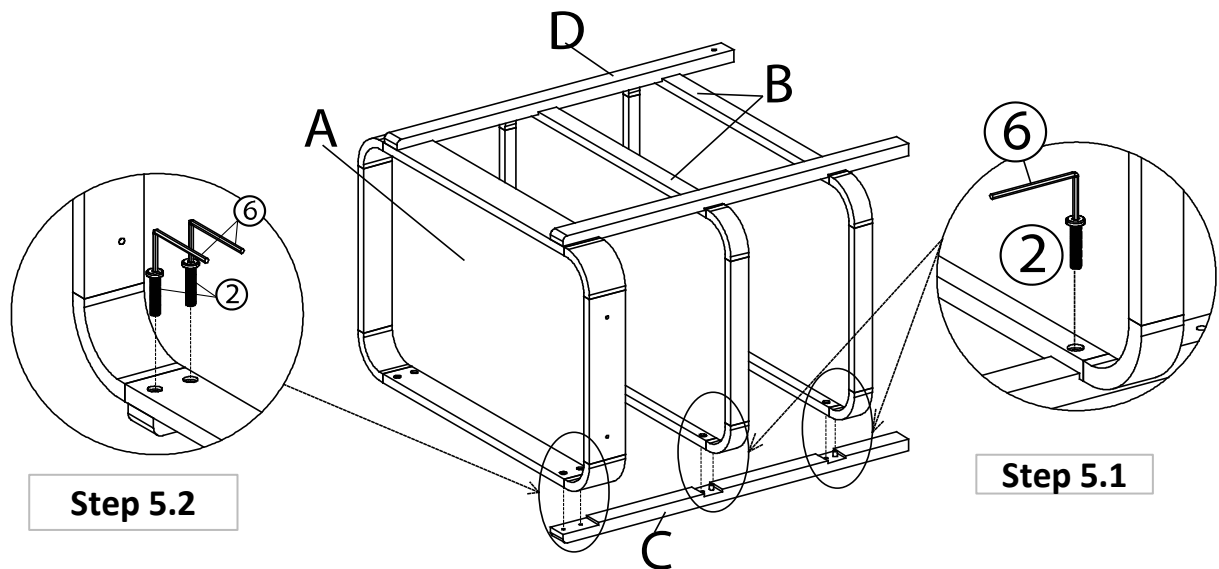


With the assistance from your partner, position Upper Tray (A) sideways as shown in the picture

Attach Upper Tray (A) to Long Leg (C), Short Leg (D) by using Bolts(2) and Allen Key(6) as shown in the picture above

Do not fully tighten the Bolts.

Step 5



Step 5.2

Step 5.1

Place the Long Leg (C) facedown

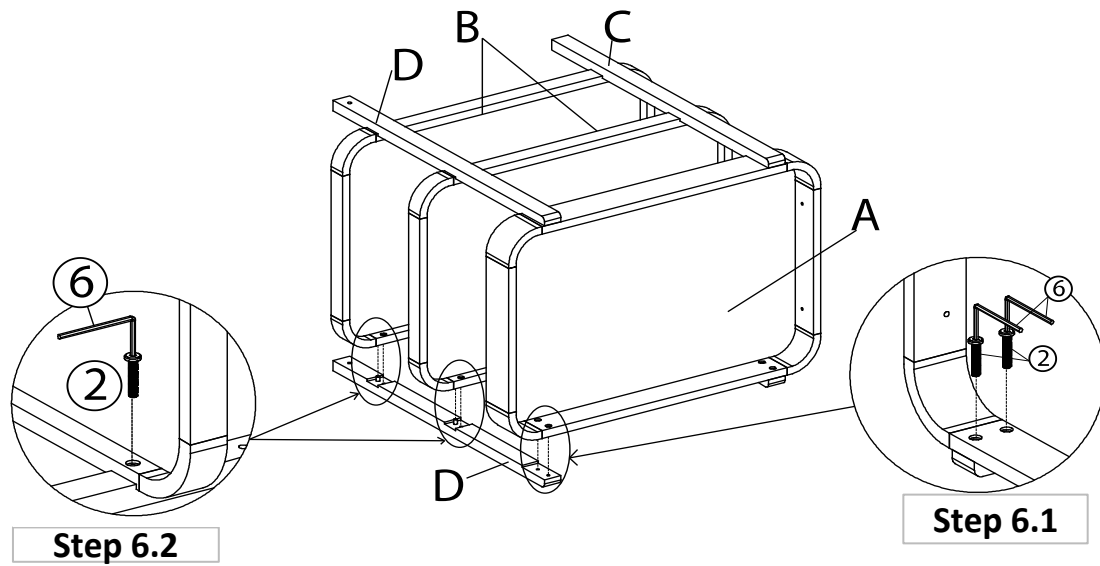
With the assistance from your partner, position pre-assembled in step 4 on Long Leg (C) as shown in the picture.

Step 5.1: Secure the Lower Tray (B) to Long Leg (C) by using Bolts(2) and with Allen Key(6) as shown in the picture above.

Step 5.2: Secure the Upper Tray (A) to the Long Leg (C) by using Bolts(2) and with Allen Key(6) as shown in the picture above.

Do not fully tighten the Bolts.

Step 6



Place the Short Leg (D) facedown

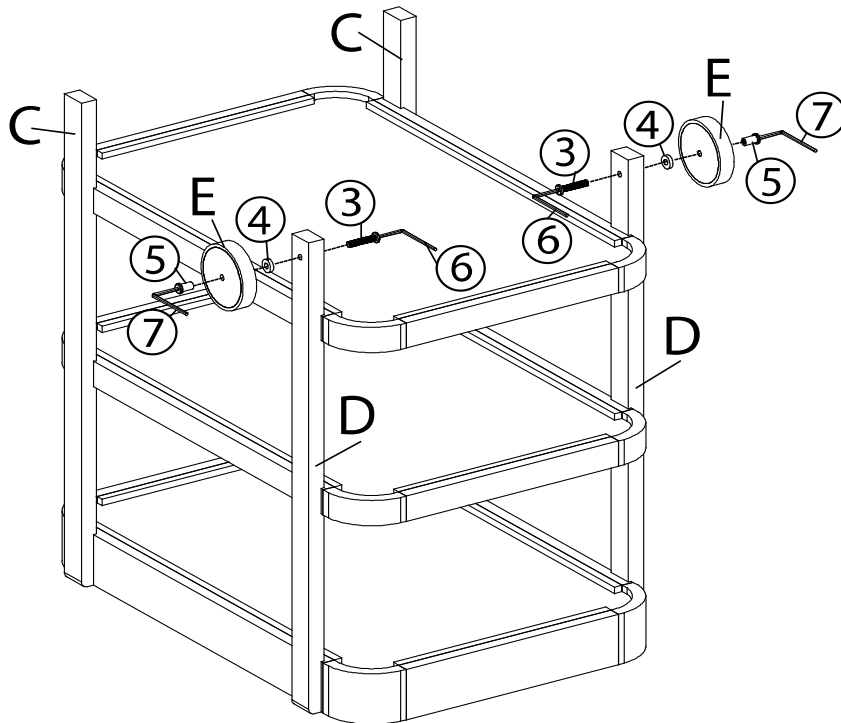
With the assistance from your partner, position pre-assembled in step 5 on Short Leg (C) as shown in the picture.

Step 6.1: Secure the Upper Tray (A) to Short Leg (D) by using Bolts (2) and Allen Key (6) as shown in the picture.

Step 6.2: Secure the Lower Tray (B) to Short Leg (D) by using Bolts (2) and Allen Key (6) as shown in the picture above.

Do not fully tighten the Bolts.

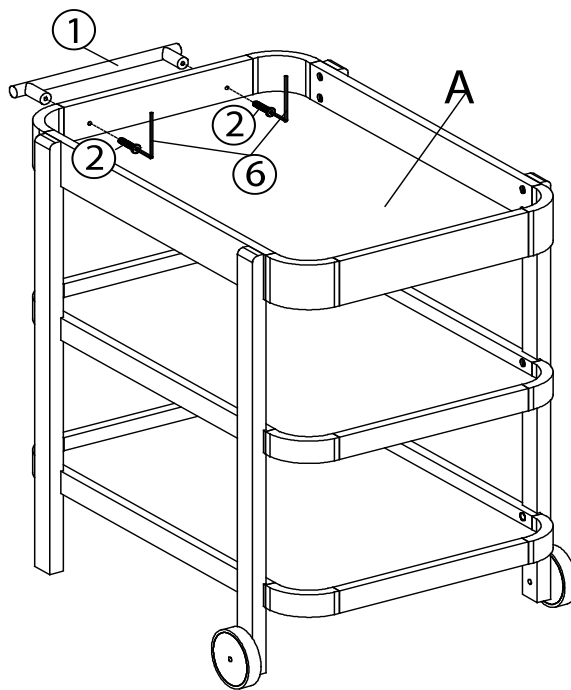
Step 7



With the assistance from your partner, turn up side down the pre-assembled on step 6

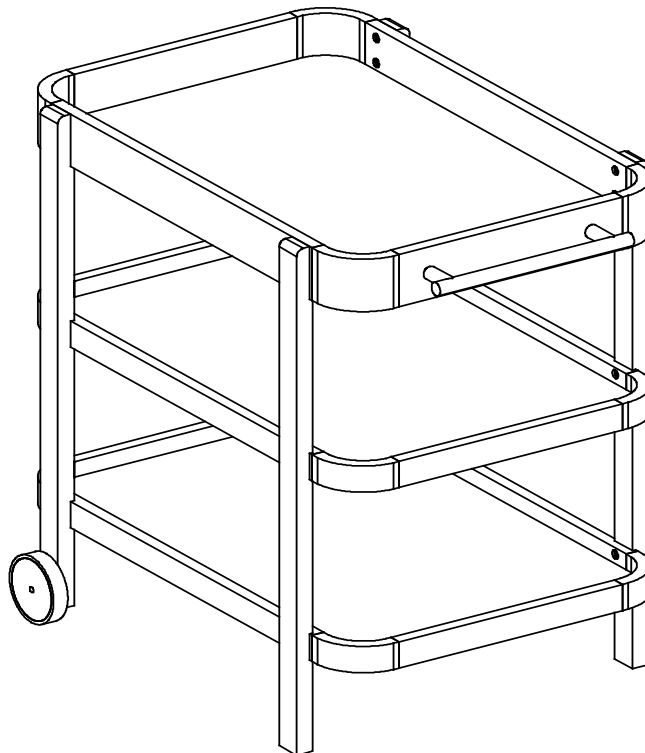
Secure the Wheels (E) to Short Leg (D) by using Bolt (3), Washer (4), Sleeve Nut (5) with Allen Key (7) and Allen Key (6) as shown above.

Step 8












To affix the Handle (①) to the Upper Tray (A) , align the bolt mounting position of the Handle to the mounting positions at the Upper Tray.
Insert the Bolts(②) through the mounting position and affix the Handle by the Allen Key(⑥) as shown in picture.

Step 9



Place the Barcart on a **LEVEL SURFACE**.
Inspect it and make sure all parts are adequately connected.
Ensure all screws, bolts are fully locked into position and secured.
Your Barcart is ready for use.
This Barcart can only be used on a flat, level surface.

Care & Maintenance

-  ● Do not put hot items directly on furniture surface
 -  ● Do not clean furniture with harsh cleansers or polish.
 -  ● To obtain the longest lifespan of your outdoor products, minimizing exposure to direct sunlight is recommended.
 -  ● Children should not climb or jump on the furniture.
 -  ● Do not write on furniture without a padded barrier to protect the surface.
 -  ● To obtain the longest lifespan of your outdoor products, avoid extended and lengthy exposure to rain, snow, and direct sunshine. Whenever possible cover the product and /or place under patio or awnings.
 -  ● Not for commercial use. For residential use only .
 -  ● Stains may be removed with mild soap solution and damp cloth.
-
-  ● Dust and pick-up spills using a clean, non-colored, lint-free cloth .