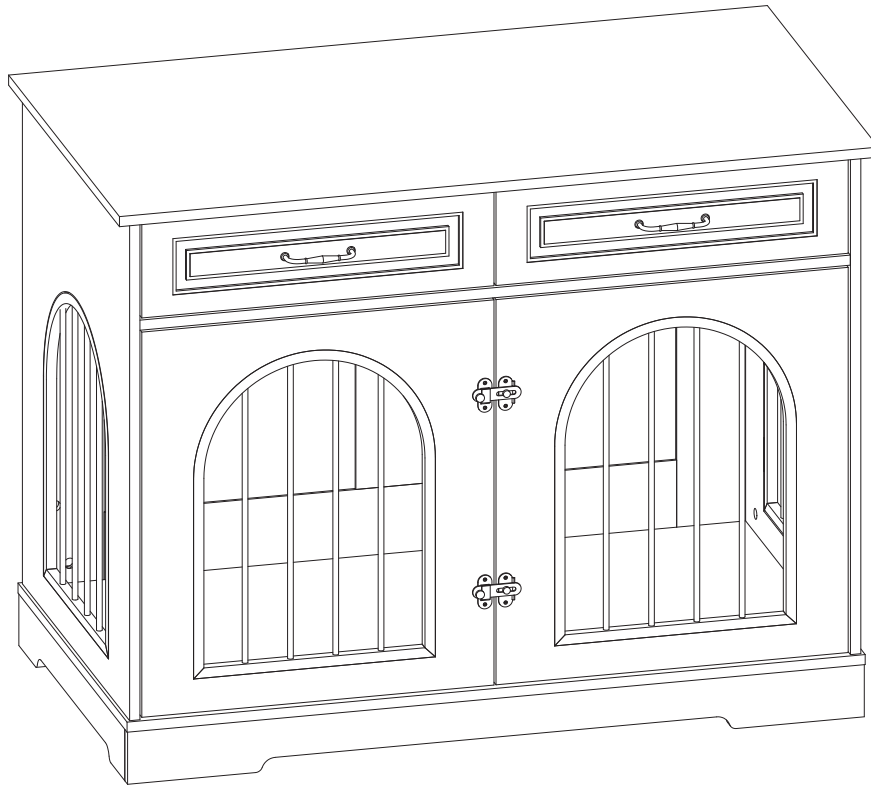


ASSEMBLY INSTRUCTIONS



NOTE:50% TIGHTEN BEFORE FIXING ALL BOLTS

Thank you for choosing our products.

1. Return Policy








DO NOT RETURN TO THE STORE! Skip the process of returning your product and contact us directly for a replacement

If you find that parts of your order are missing or damaged, we will gladly ship any needed replacement parts free of charge.

If you have found any sort of defect, please contact our customer service department and let us know the details of your order and any issues encountered, we will try our best to provide you with a solution.



Recommendations Before Beginning Assembly



-  • Read instructions, cover to cover
-  • Have 2-4 adults on hand for assembly depending on product size
-  • Do not assemble directly on flooring or carpet
-  • Assemble on a clean non-marring surface (example: packing foam)
-  • Save all packaging until finished



3. Assembly Notice:



- If you encounter any problems during assembly and find that you cannot continue, rest assured we will help you solve the situation as soon as possible. Simply keep all of the parts of the product stored in a safe place and contact us immediately so we may assist you further.
- Once you have opened your package, remove all inner hardware packages and take the parts out. One by one, Place the parts out neatly in front of you, then refer to the instructions to ensure no parts are missing. If any pieces are found missing, please carefully look in the box first, as the hardware packaging might have torn making the hardware spill in the box.
- Some key parts of your product may be stored and hidden inside of other parts. Please open any zippered or hook & loop storage compartments to remove all parts. (example: cushions and legs being stored in the underside of a sofa)
- **IMPORTANT:** When setting up your product, **DO NOT INSTALL THE SCREWS ALL THE WAY IN THE BEGINNING.** Place each screw into their proper hole and use your hand to twist the screw halfway. Twist all the screws in halfway to ensure the holes will match up properly and the product is level on the ground. When everything seems fitted, then tighten the screws.
- When you have completed assembly, we suggest you have more than one person to assist you with lifting and placing the product.



Care & Maintenance



- 




 Do not put hot items directly on furniture surface
- 




 Do not clean furniture with harsh cleansers or polish
- 




 Do not place furniture under direct sunlight
- 




 Do not place furniture near heating or cooling vents
- 


 Do not write on furniture without a padded barrier to protect the surface
- 


 Do not place furniture outside. For indoor use only
- 


 Not for commercial use. For residential use only
- 


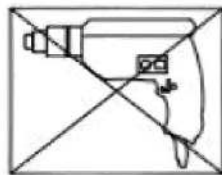
 Stains may be removed with mild soap solution and damp cloth
- 


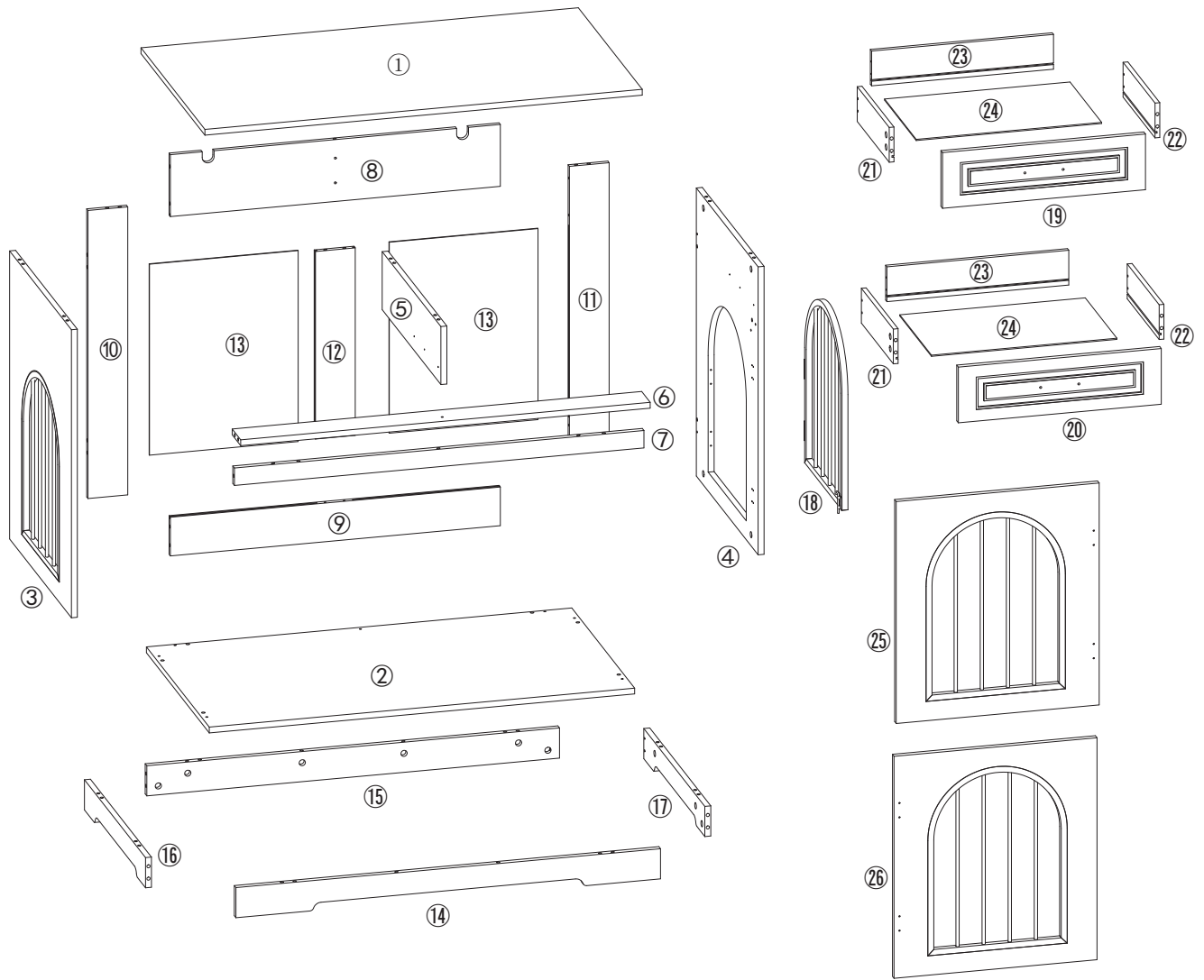
 Children should not climb or jump on the furniture
- 


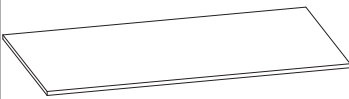
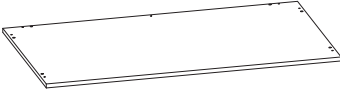
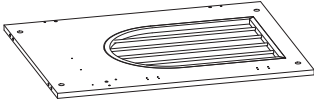
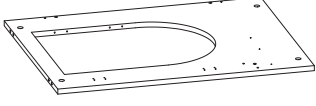
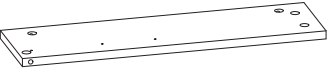













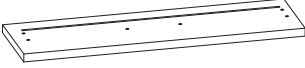
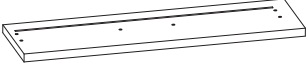



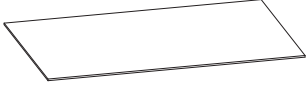
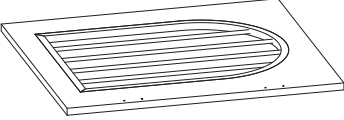
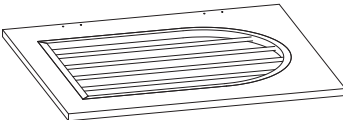
 Dust and pick-up spills using a clean, non-colored, lint-free cloth

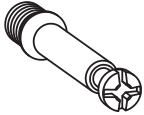



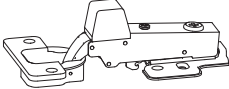
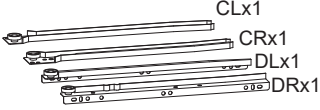
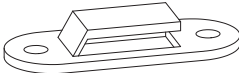
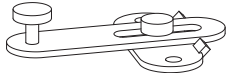






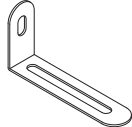


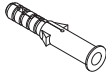
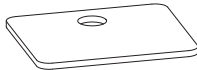
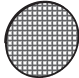

Caution

- This product contains small components. Please ensure that they are kept away from small children.
- Do not use power tools to assemble your furniture. Power tools may strip or damage the parts.

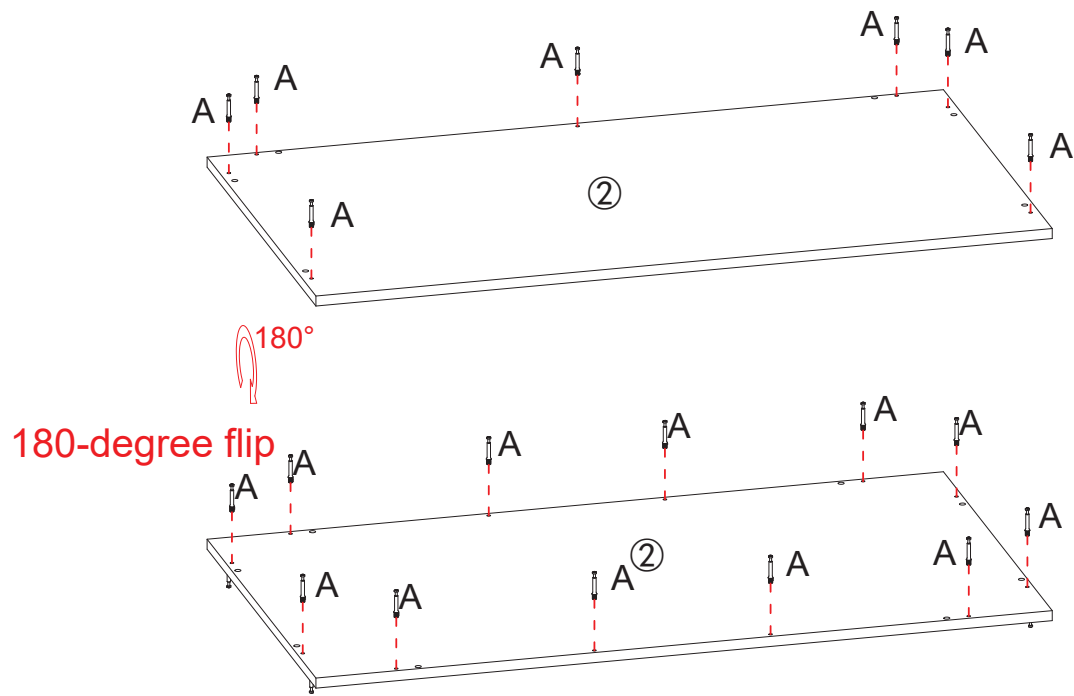




			
① x 1pc	② x 1pc	③ x 1pc	④ x 1pc
			
⑤ x 1pc	⑥ x 1pc	⑦ x 1pc	⑧ x 1pc
			
⑨ x 1pc	⑩ x 1pc	⑪ x 1pc	⑫ x 1pc
			
⑬ x 2pcs	⑭ x 1pc	⑮ x 1pc	⑯ x 1pc
			
⑰ x 1pc	⑱ x 1pc	⑲ x 1pc	⑳ x 1pc
			
㉑ x 2pcs	㉒ x 2pcs	㉓ x 2pcs	㉔ x 2pcs
			
㉕ x 1pc	㉖ x 1pc		

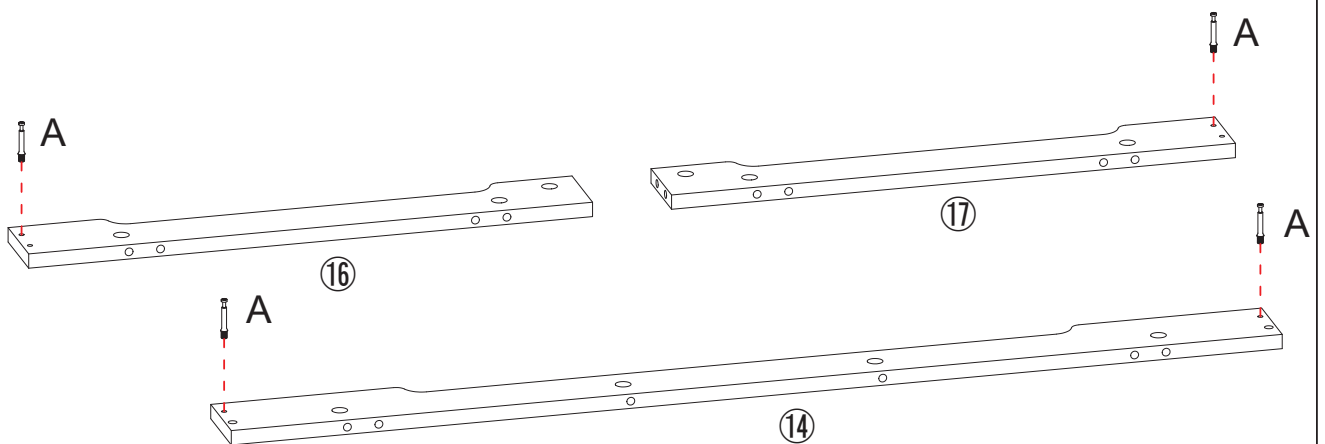
 M6x35mm	 Φ15x9mm	 Φ6x30mm	 M3x12mm
A x 66pcs	B x 66pcs	C x 34pcs	D x 20pcs
	 CLx1 CRx1 DLx1 DRx1 300mm		
E x 4pcs	F x 2pcs	G x 2pcs	H x 2pcs
	 M3x16mm		 Black M4x16mm
I x 2pcs	J x 1pc	K x 8pcs	L x 9pcs
	 M4x14mm		 M4x35mm
M x 8pcs	N x 26pcs	O x 2pcs	P x 10pcs
 M4x18mm			
Q x 4pcs	R x 2pcs	S x 1pc	T x 4pcs
 M3x16mm			
U x 4pcs			

STEP 1



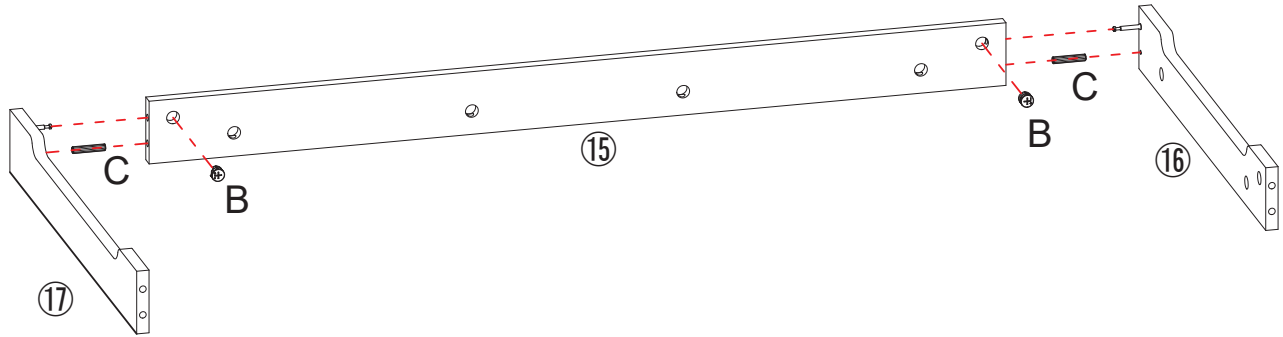
A x 19



STEP 2



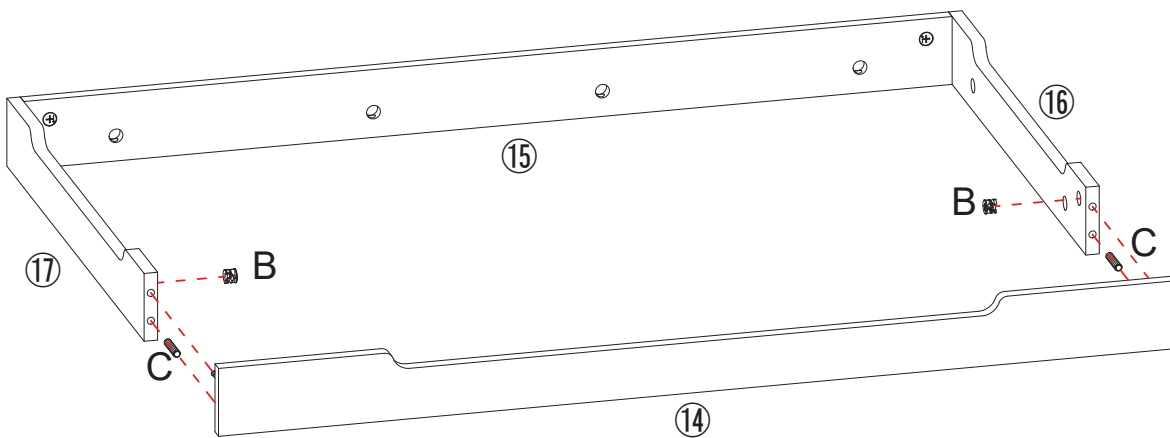
A x 4



STEP 3



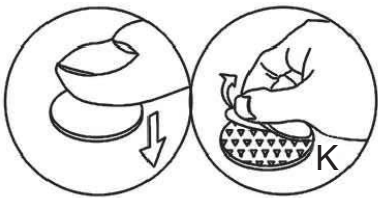
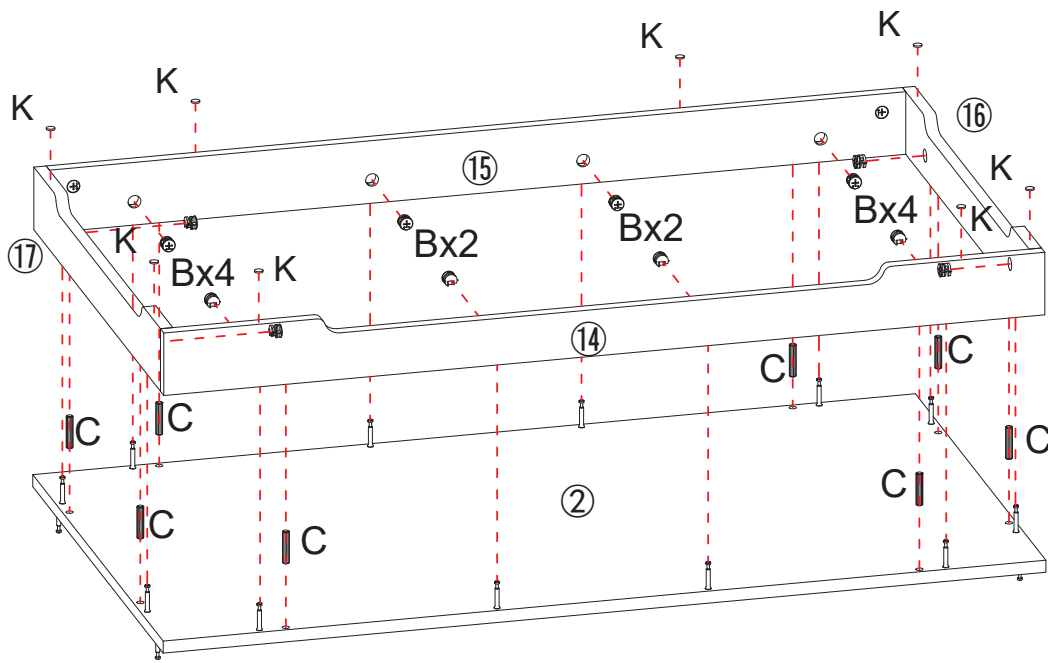
	
B x 2	C x 2

STEP 4



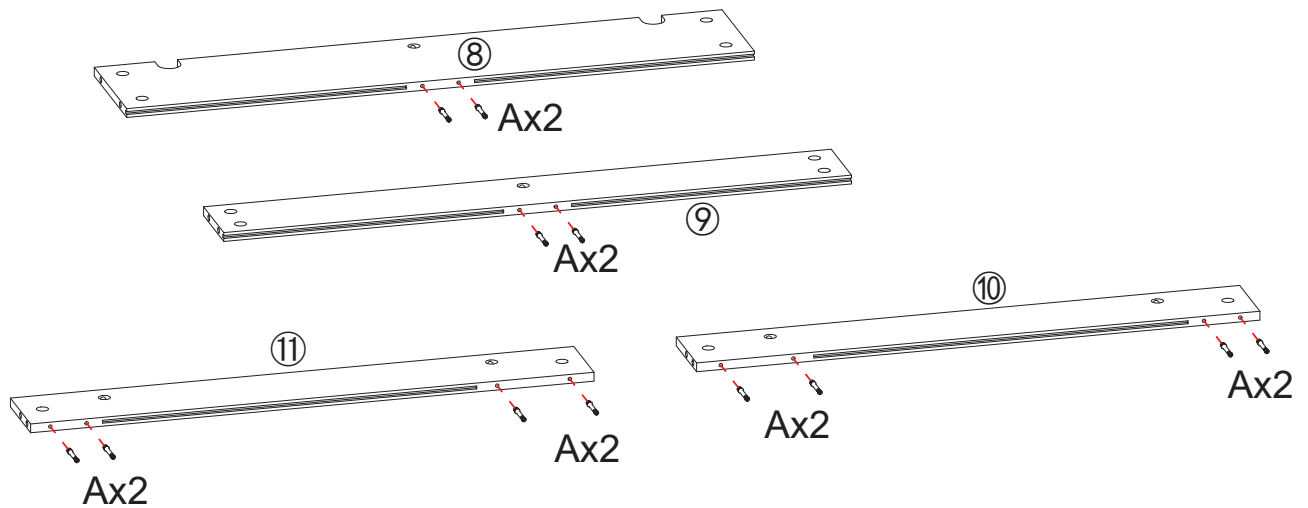
	
B x 2	C x 2

STEP 5



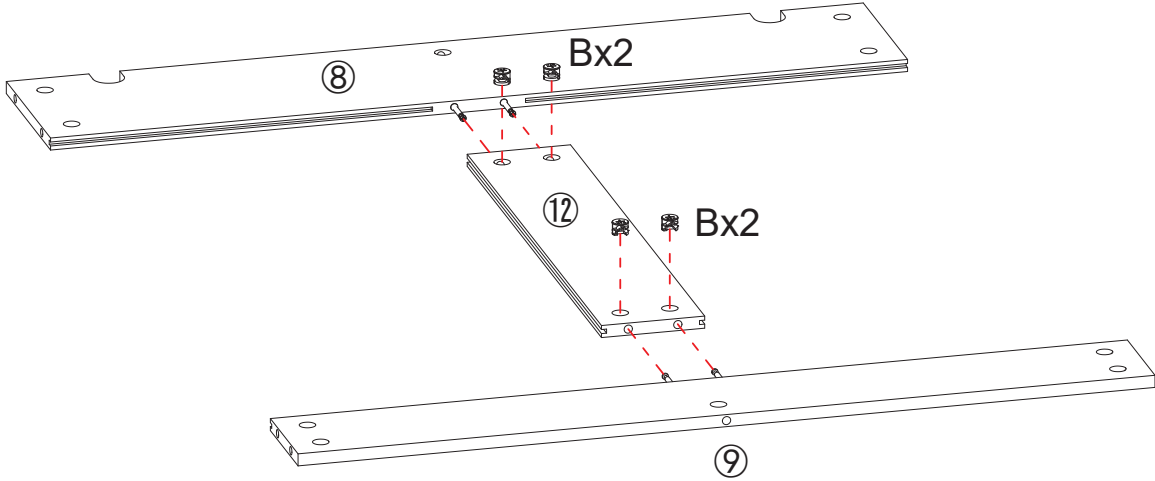
B x 12	C x 8	K x 8

STEP 6



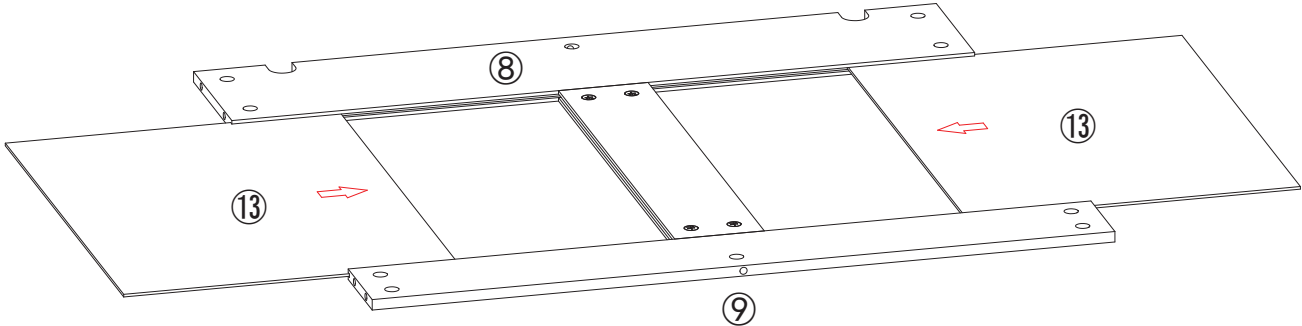
A x 12

STEP 7

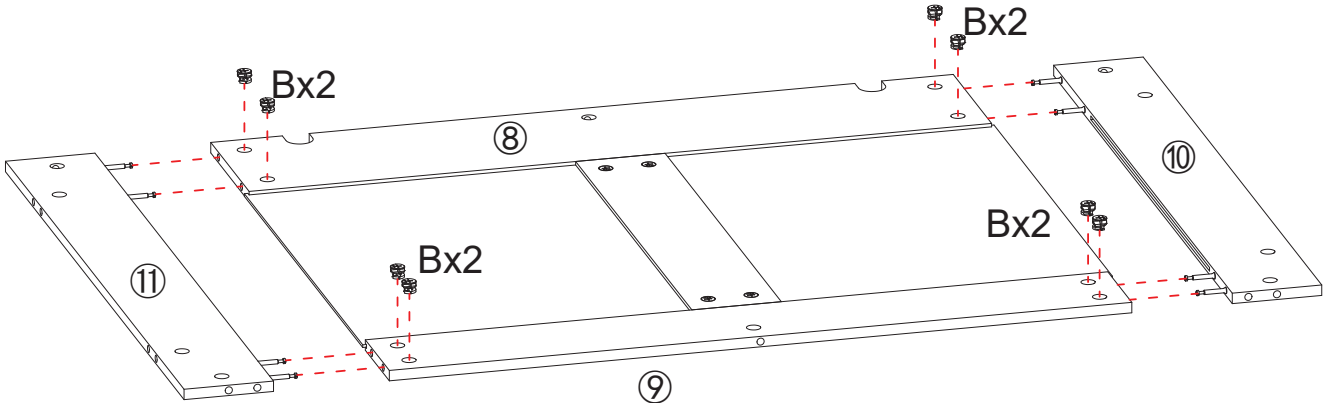


B x 4

STEP 8

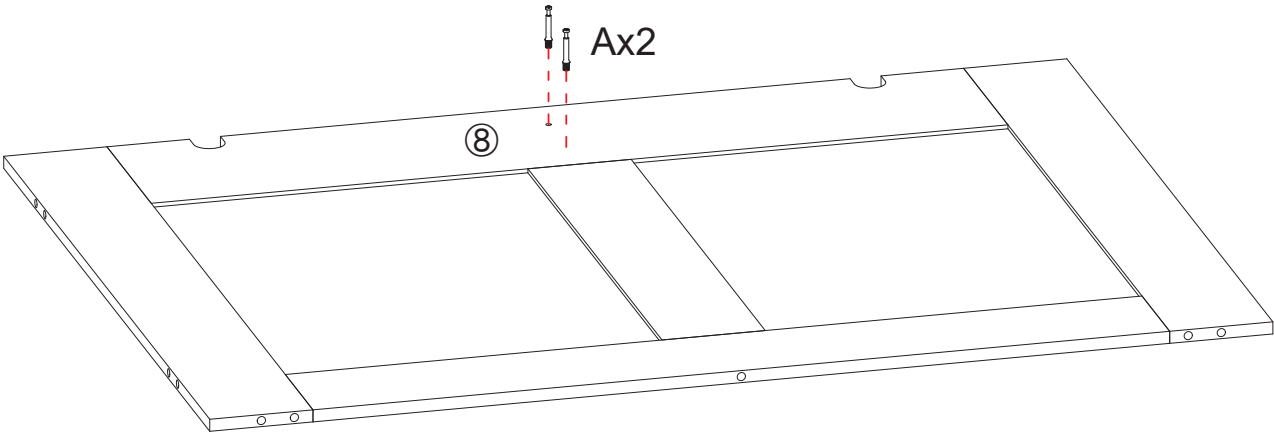


STEP 9



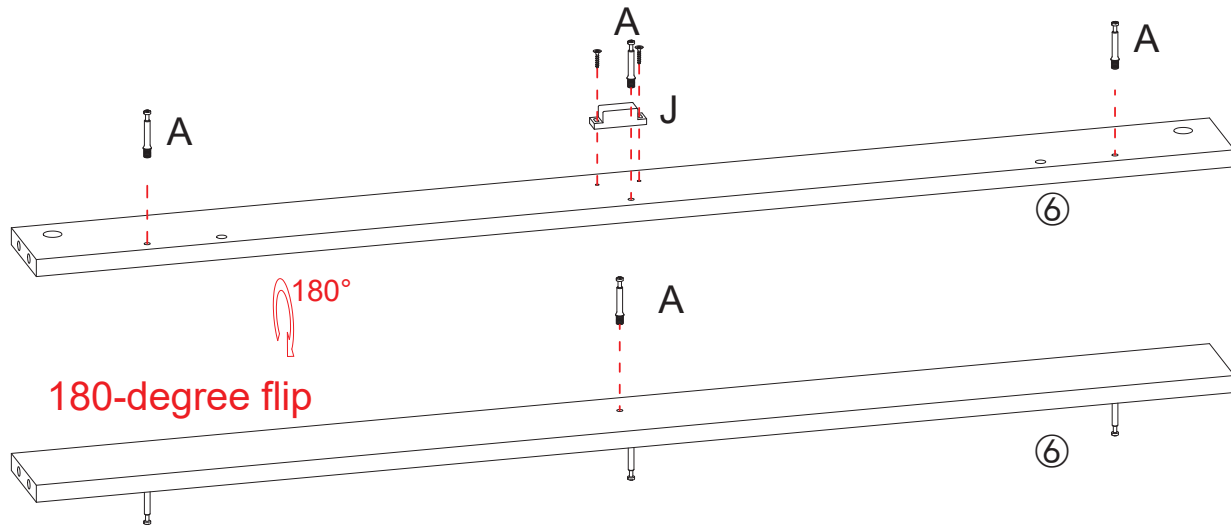
B x 8


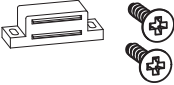
STEP 10



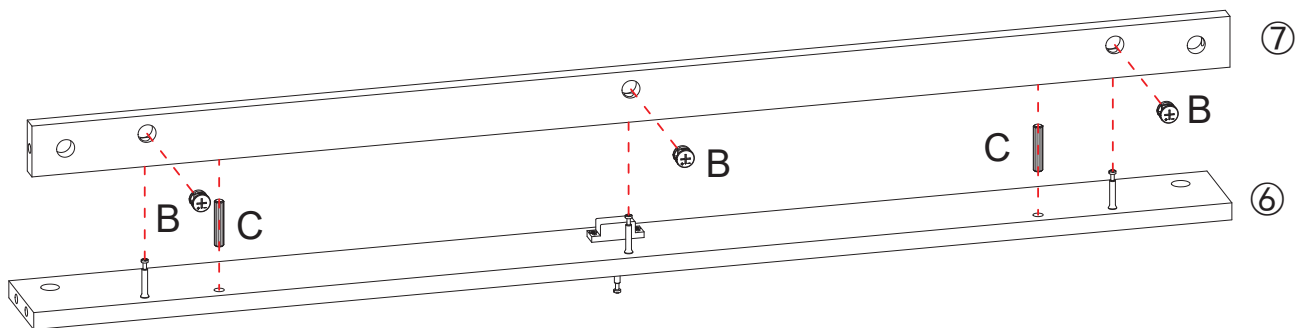
A x 2



STEP 11



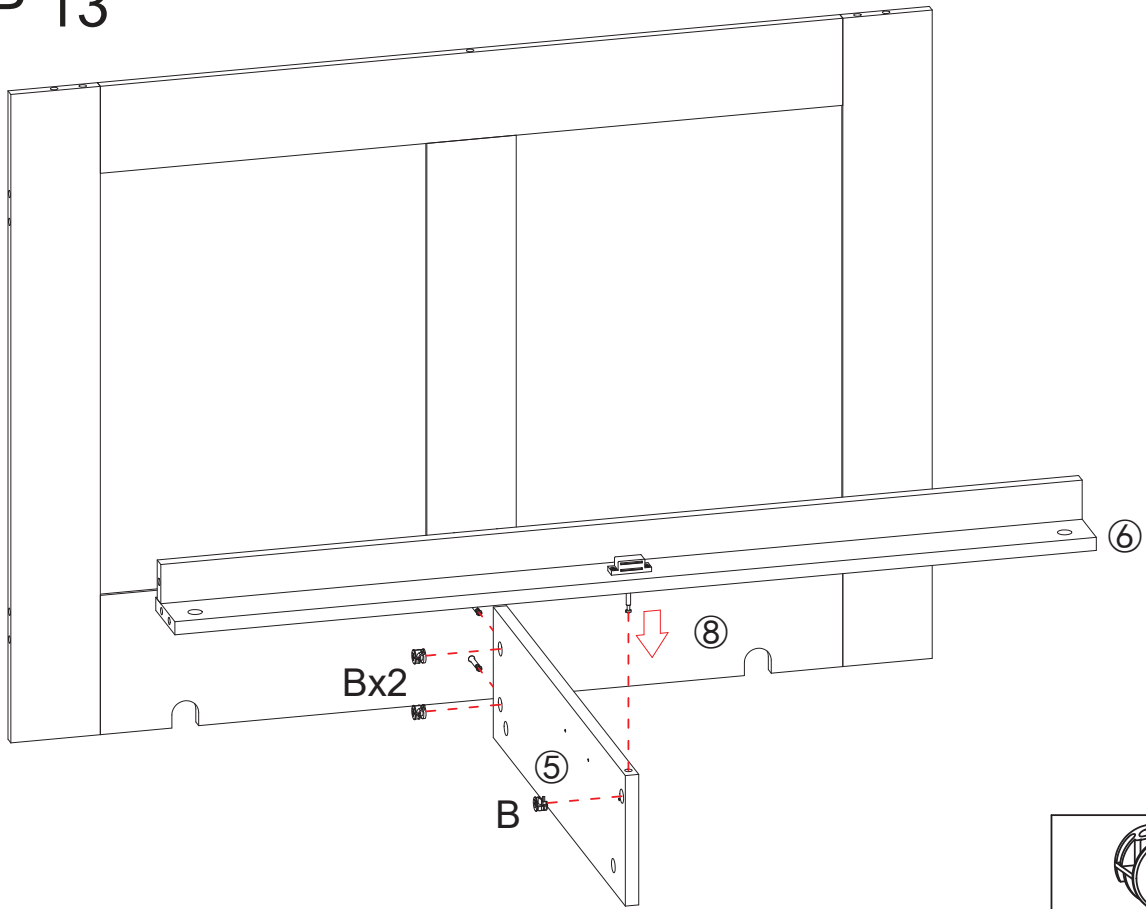
	
A x 4	J x 1

STEP 12



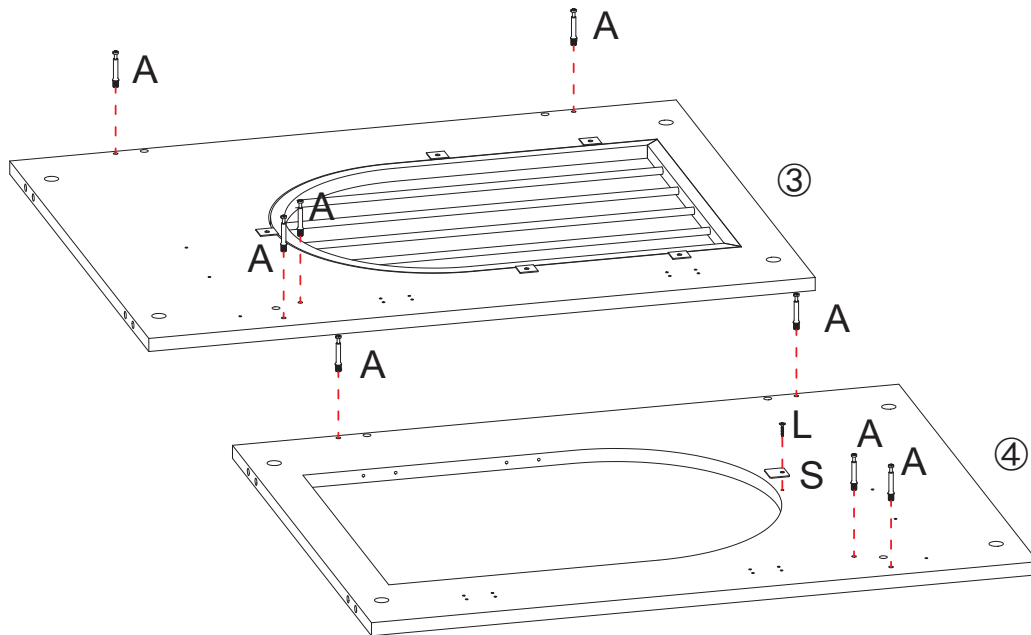
	
B x 3	C x 2

STEP 13



B x 3

STEP 14



A x 8

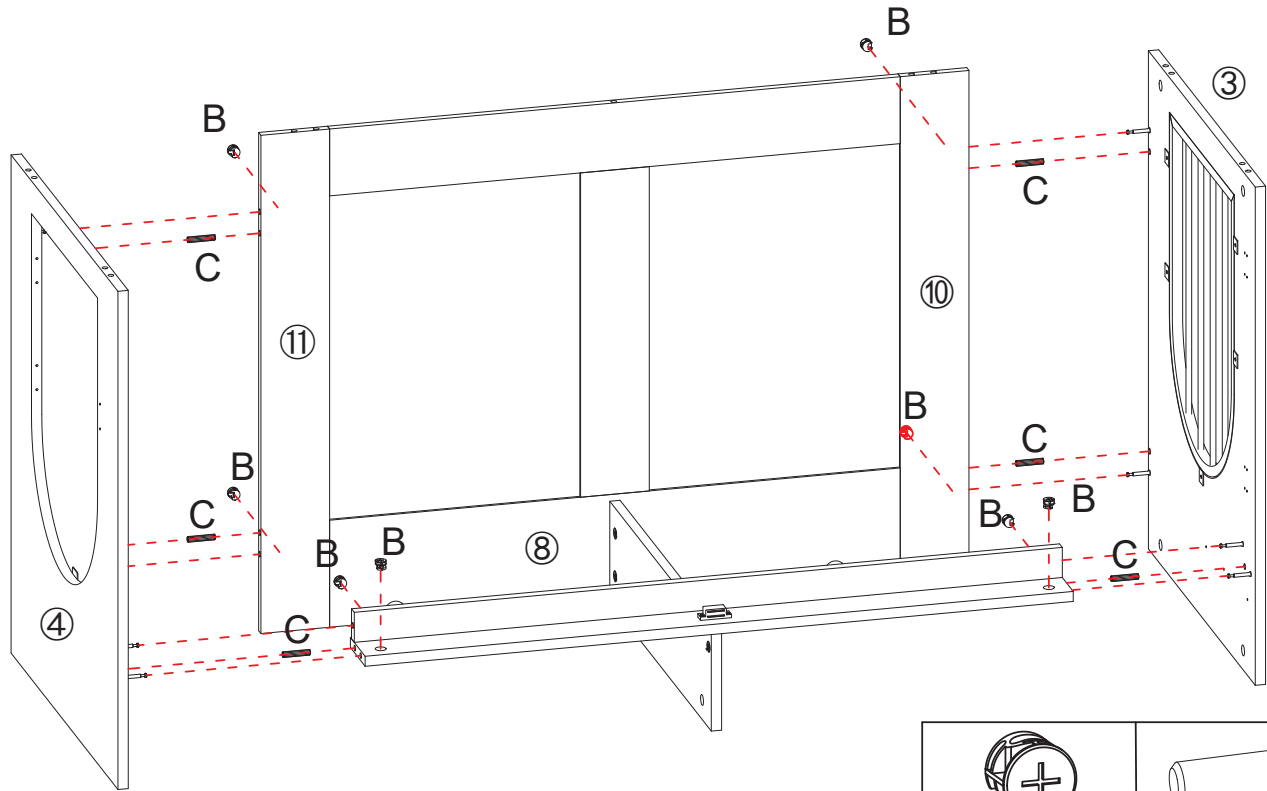



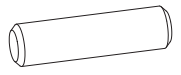
L x 1



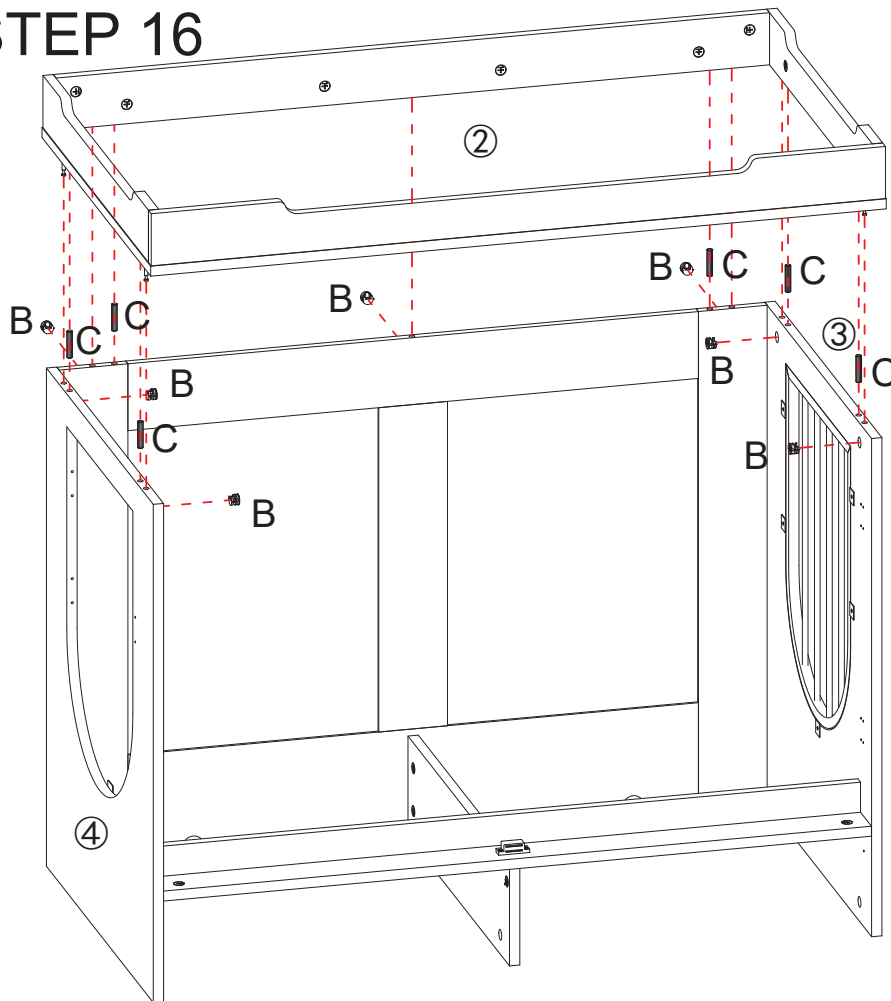
S x 1


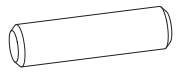
STEP 15



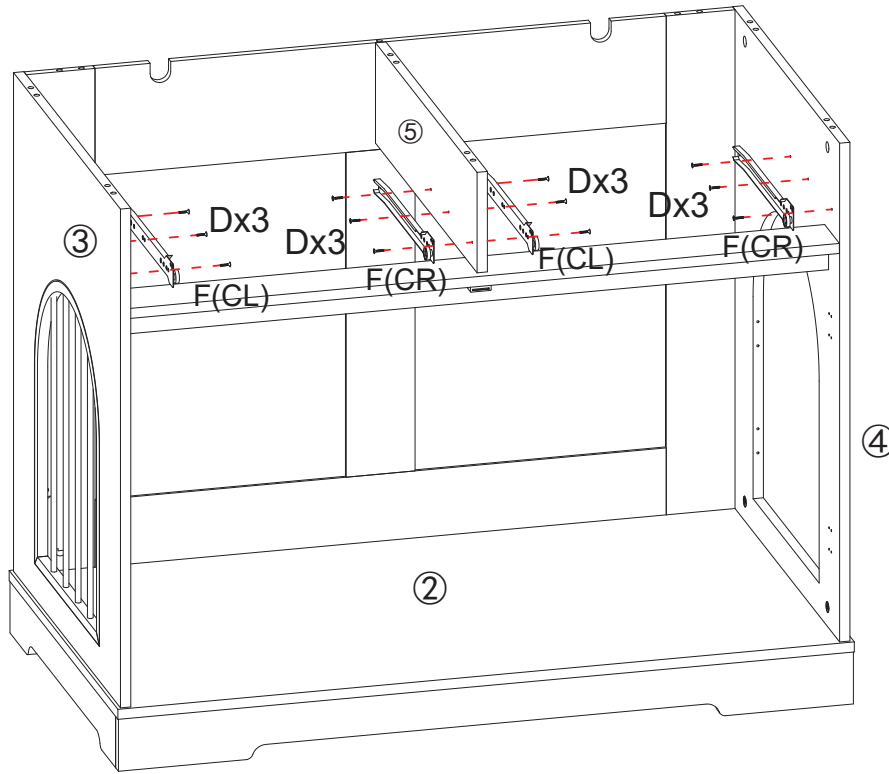
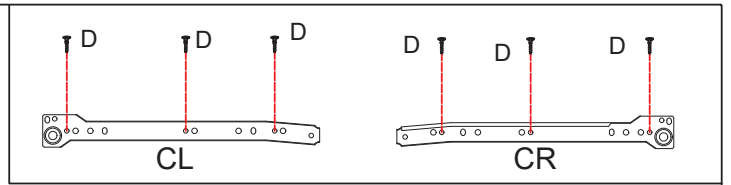
	
B x 8	C x 6


STEP 16



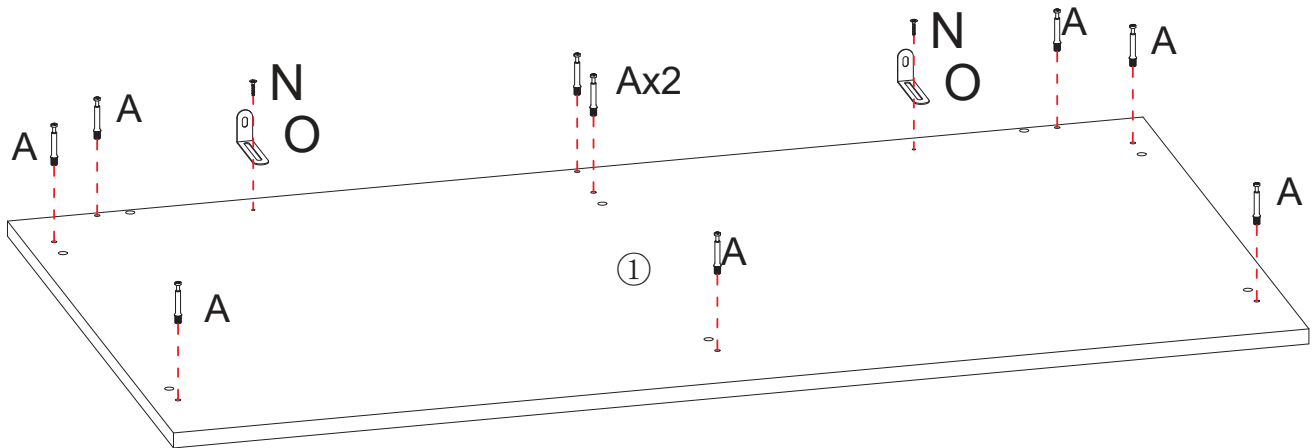
	
B x 7	C x 6

STEP 17



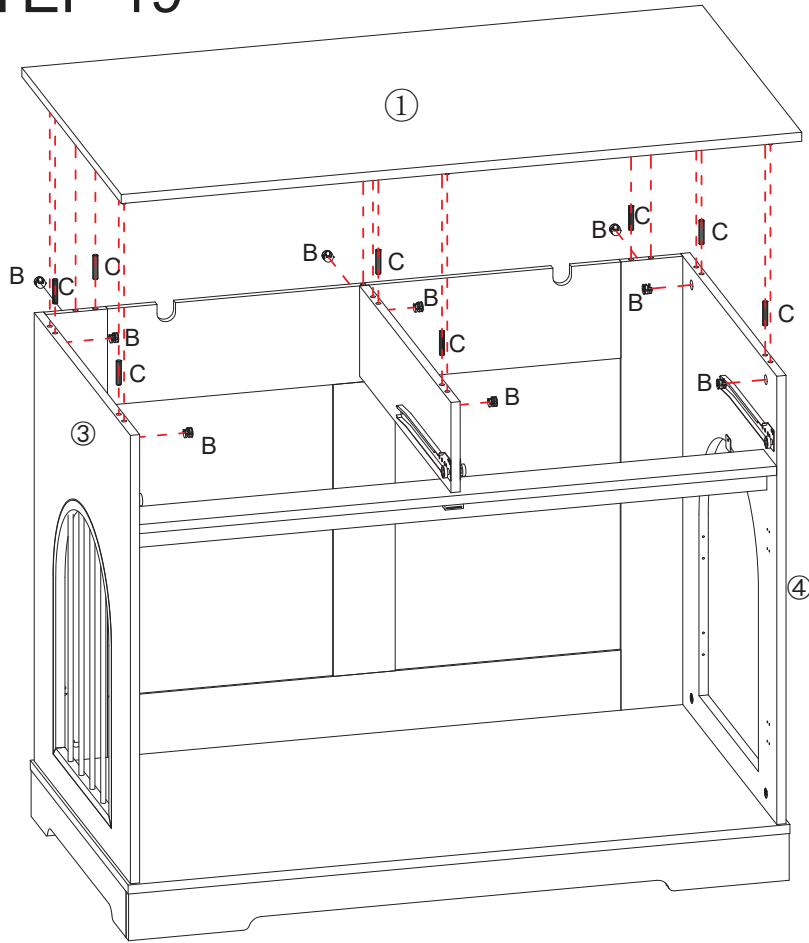
	CLx1 CRx1
D x 12	F x 2



STEP 18



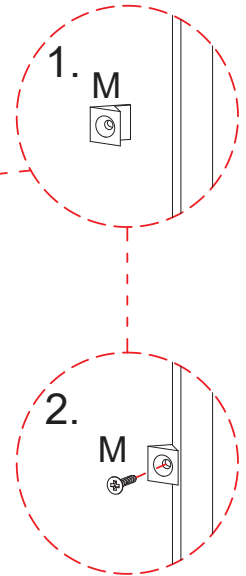
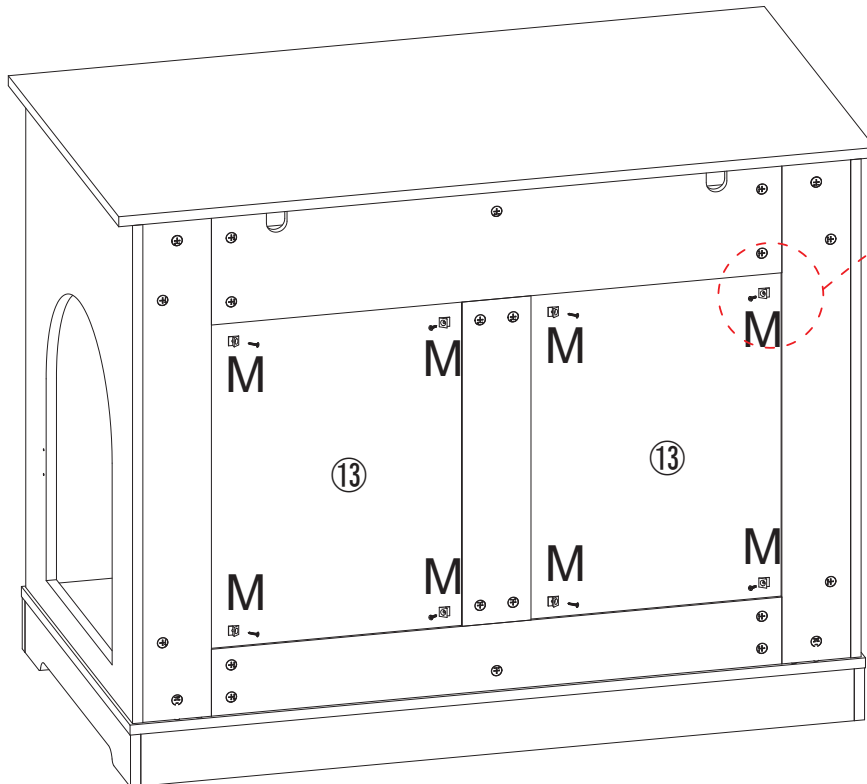
		
A x 9	N x 2	O x 2



STEP 19



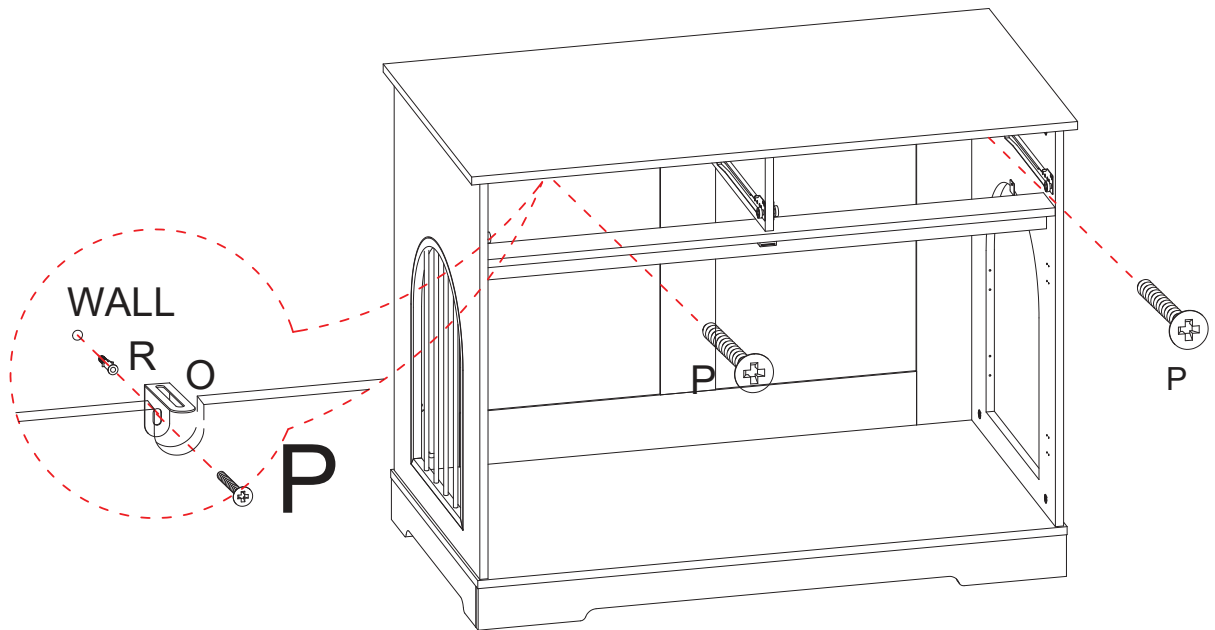
	
B x 9	C x 8


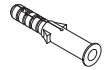
STEP 20



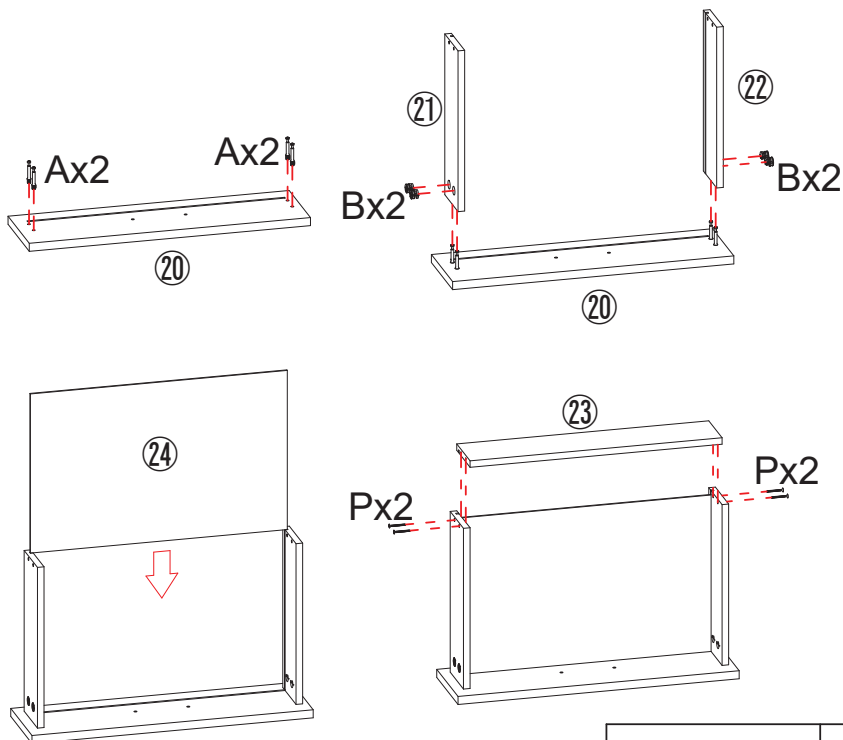
	
M3x16mm	
M x 8	




STEP 21



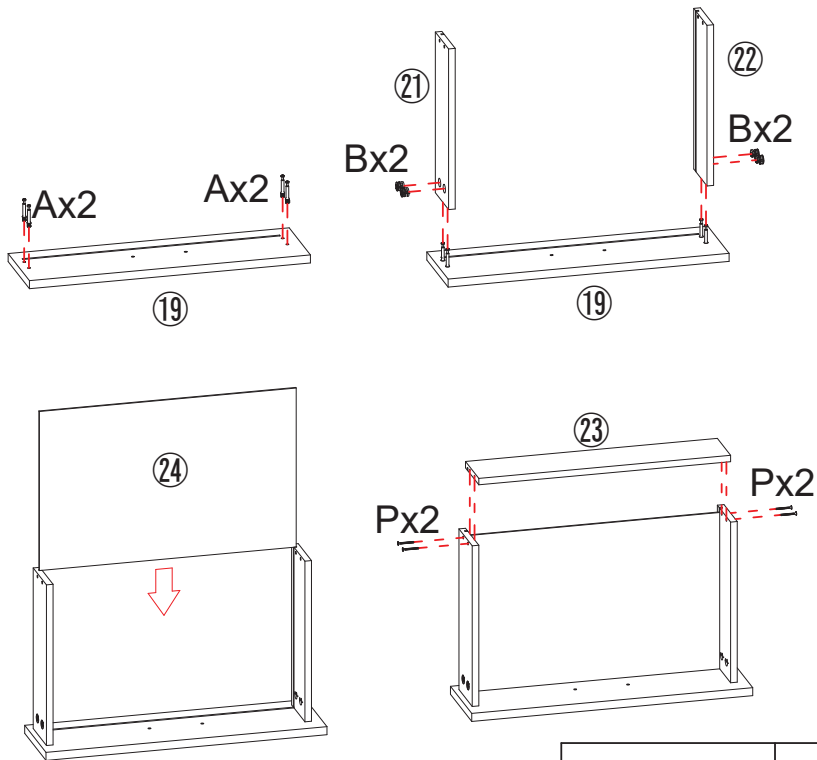
	
P x 2	R x 2



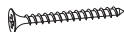
STEP 22



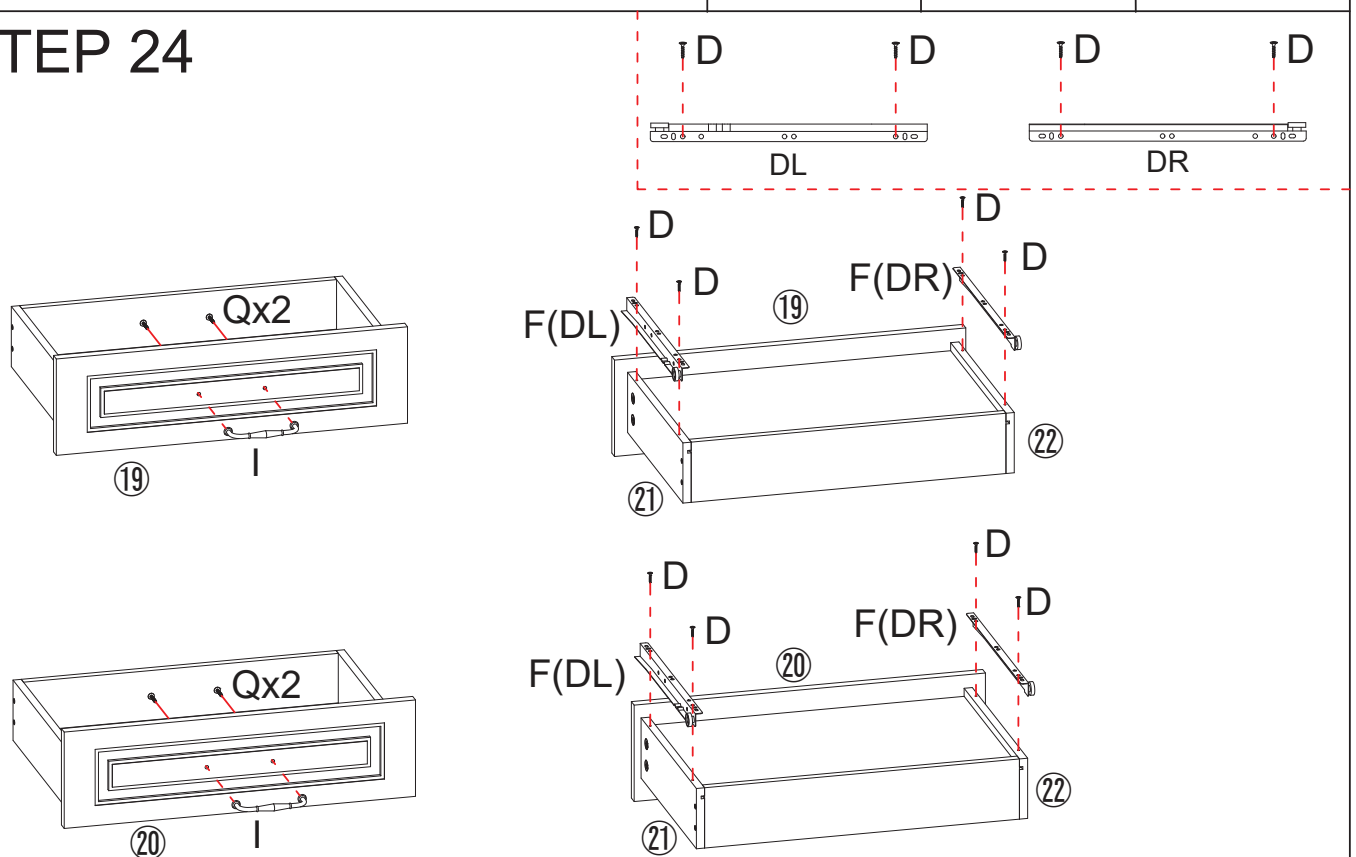
		
A x 4	B x 4	P x 4





STEP 23



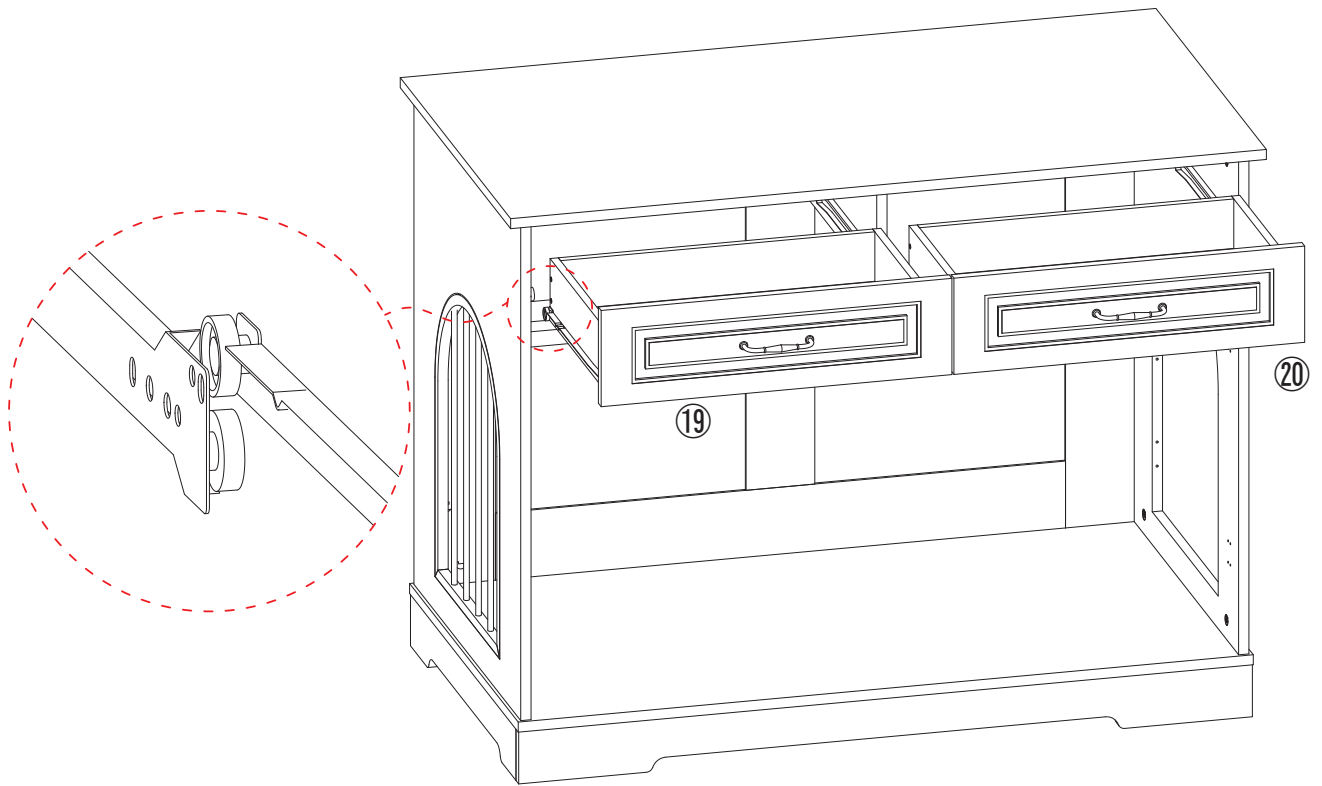
		
A x 4	B x 4	P x 4

STEP 24

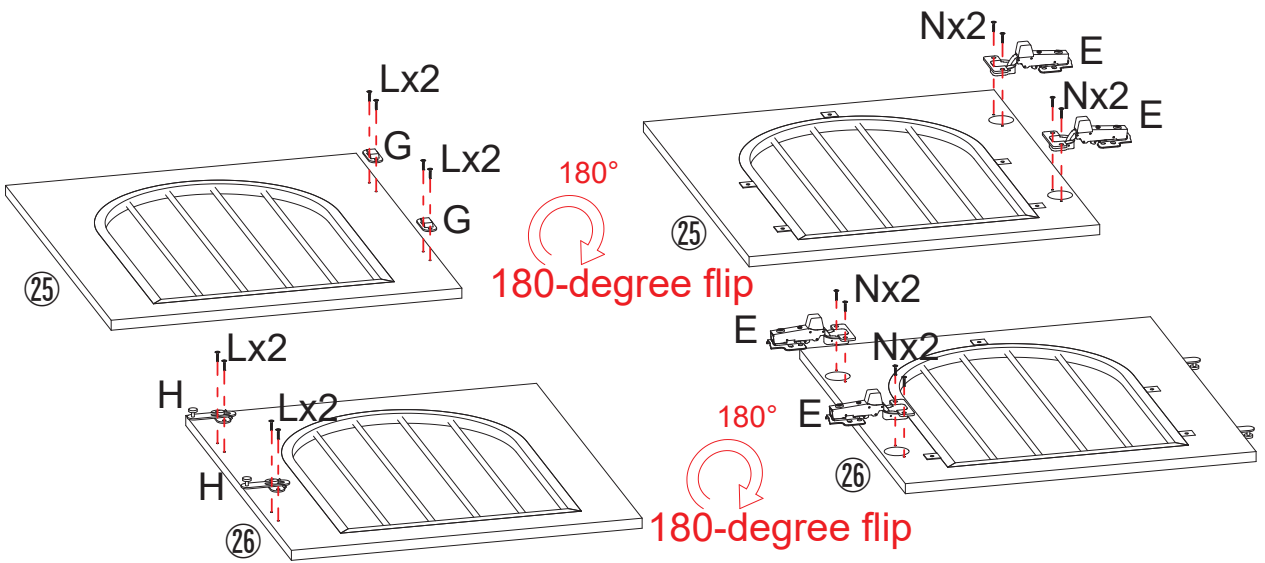



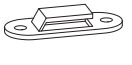
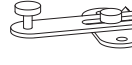


	 DRx2 DLx2		
D x 8	F	I x 2	Q x 4

STEP 25



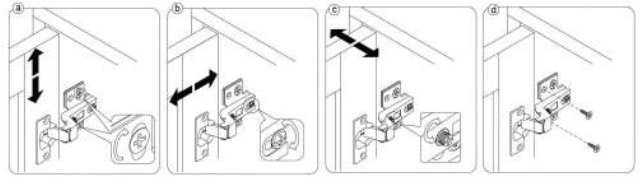
STEP 26



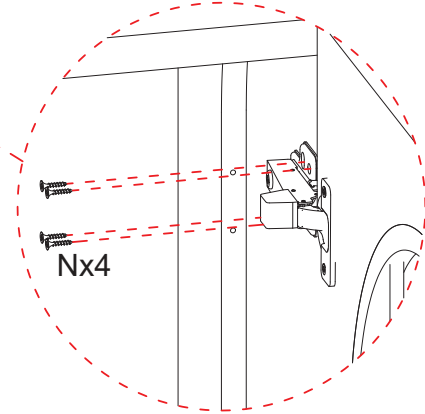
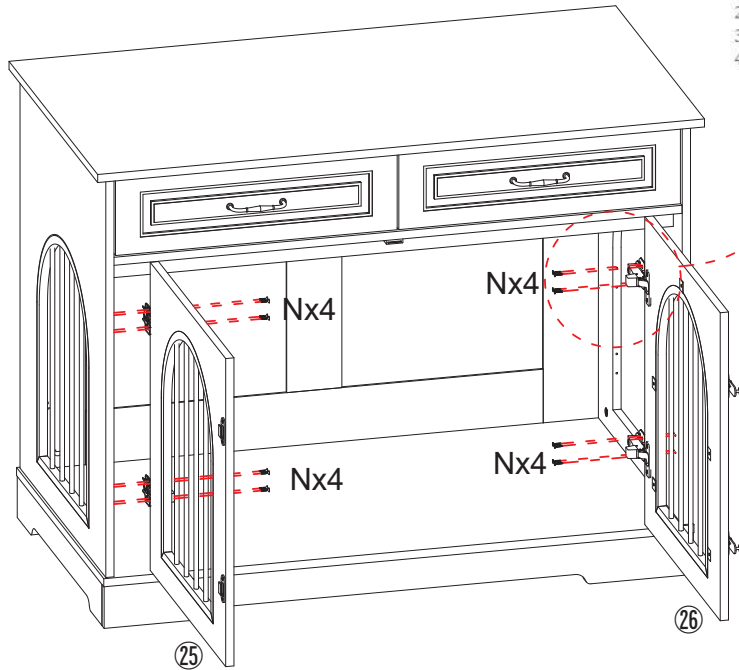
				
E x 4	G x 2	H x 2	L x 8	N x 8

STEP 27

When the hinges are installed, you can refer to the pictures to adjust crevice of the doors till it's perfect:

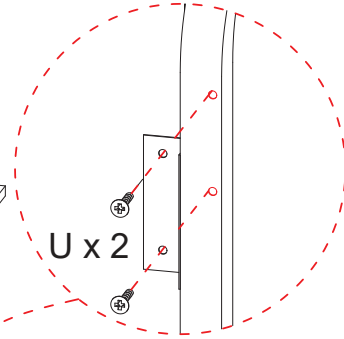
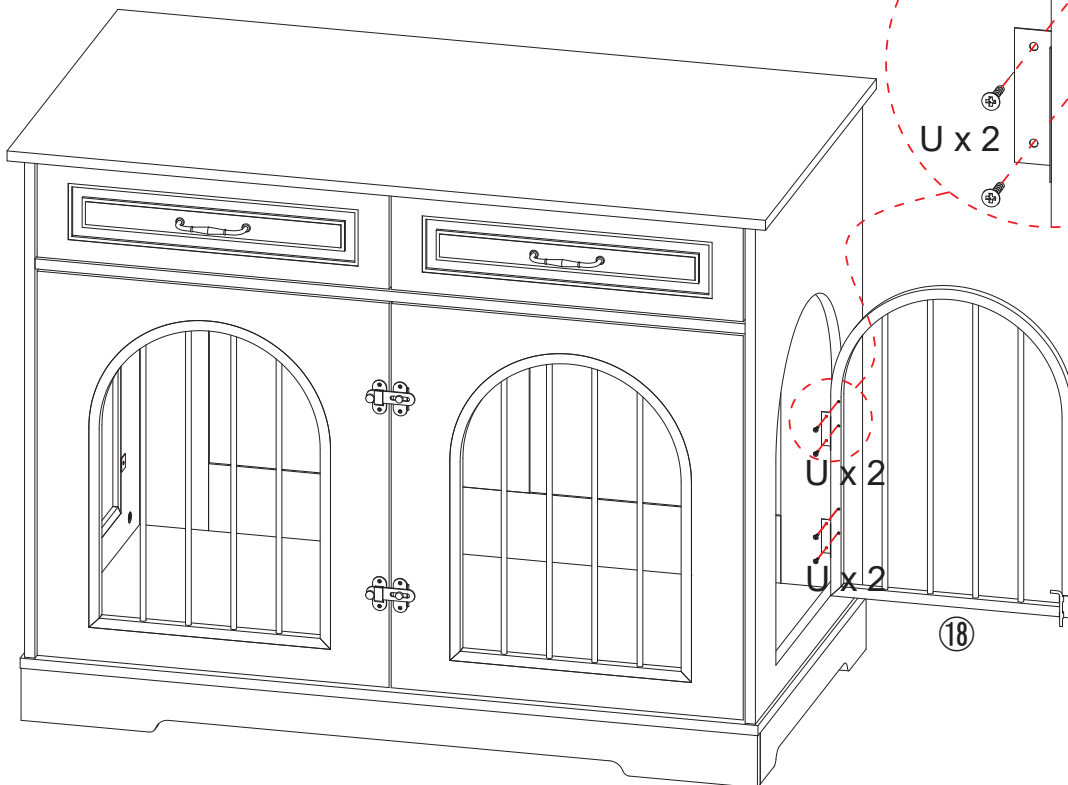


1. To adjust the doors up and down, please refer to step (a)
2. To adjust the distance between the doors and side panels, please refer to step (b)
3. To adjust the gap between two doors, please refer to step (c)
4. After the adjustment finished, please tight the screws, refer to step (d)



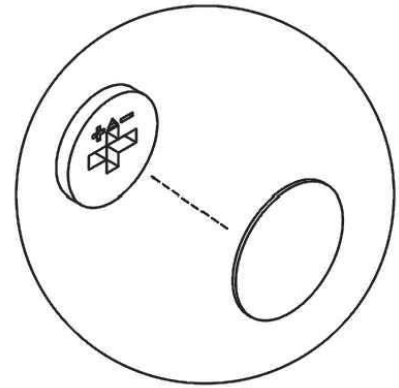
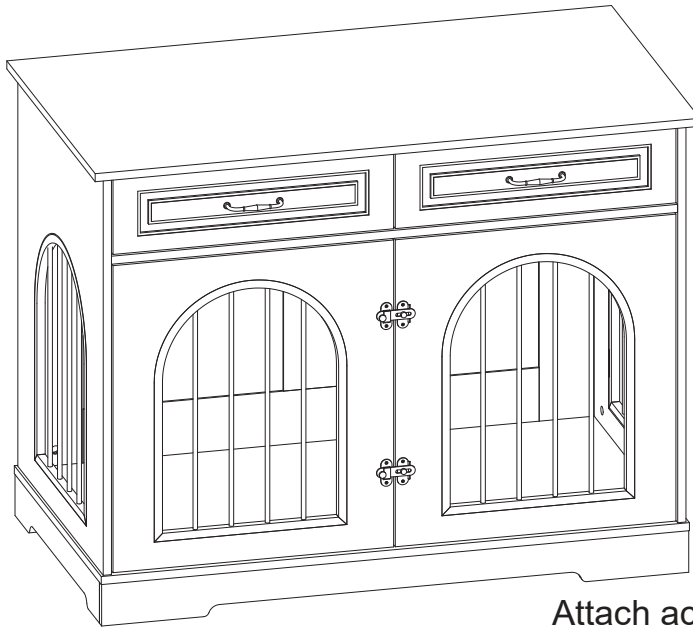
N x 16

STEP 28



U x 4

STEP 29



Attach accessory T to the hole of accessory B.



T x 4

