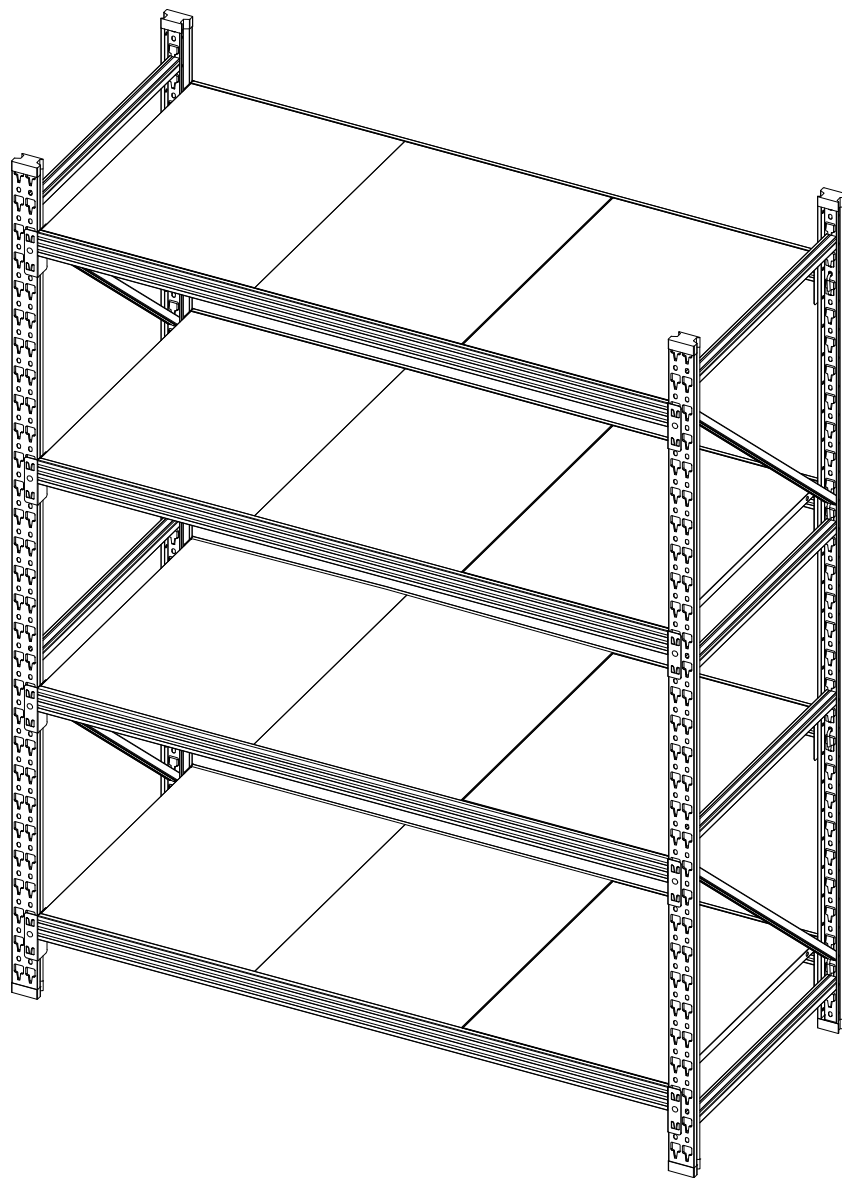
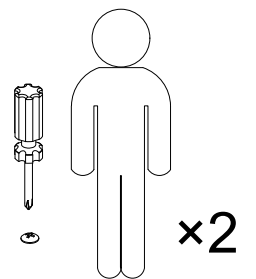
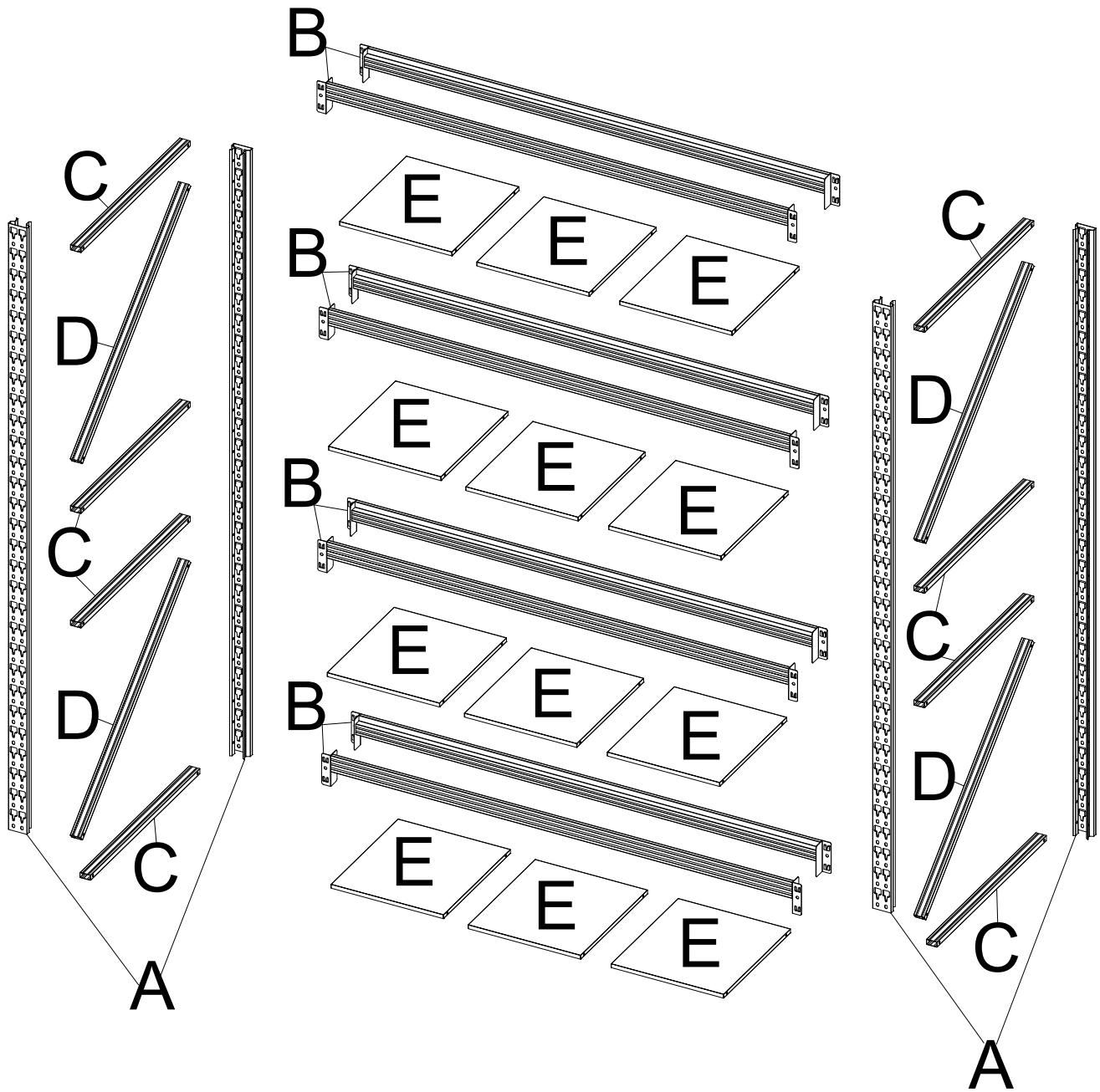


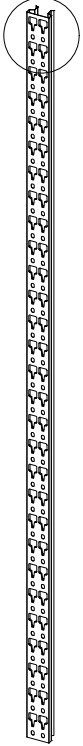
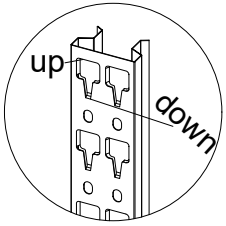
Installation Instructions



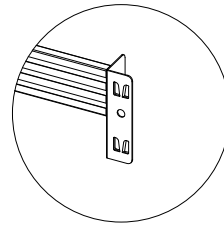
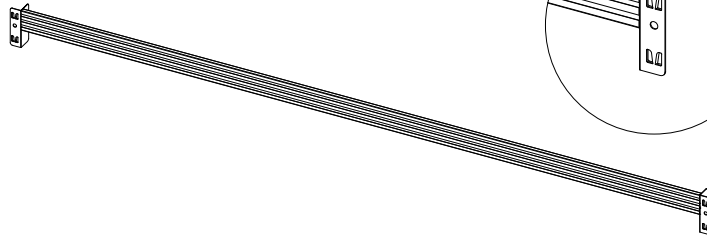


×2

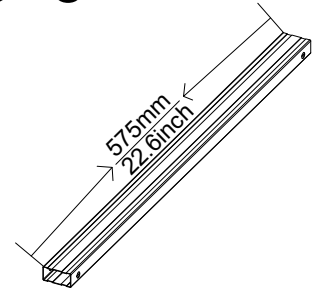
A×4



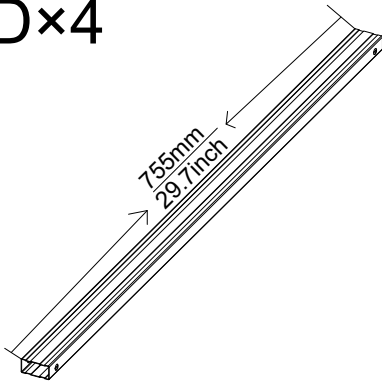
B×8



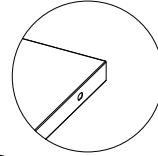
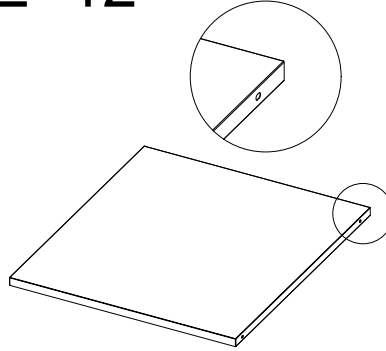
C×8



D×4



E×12



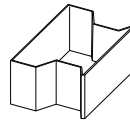
F×24



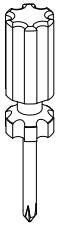
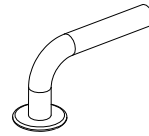
G×24



H×8

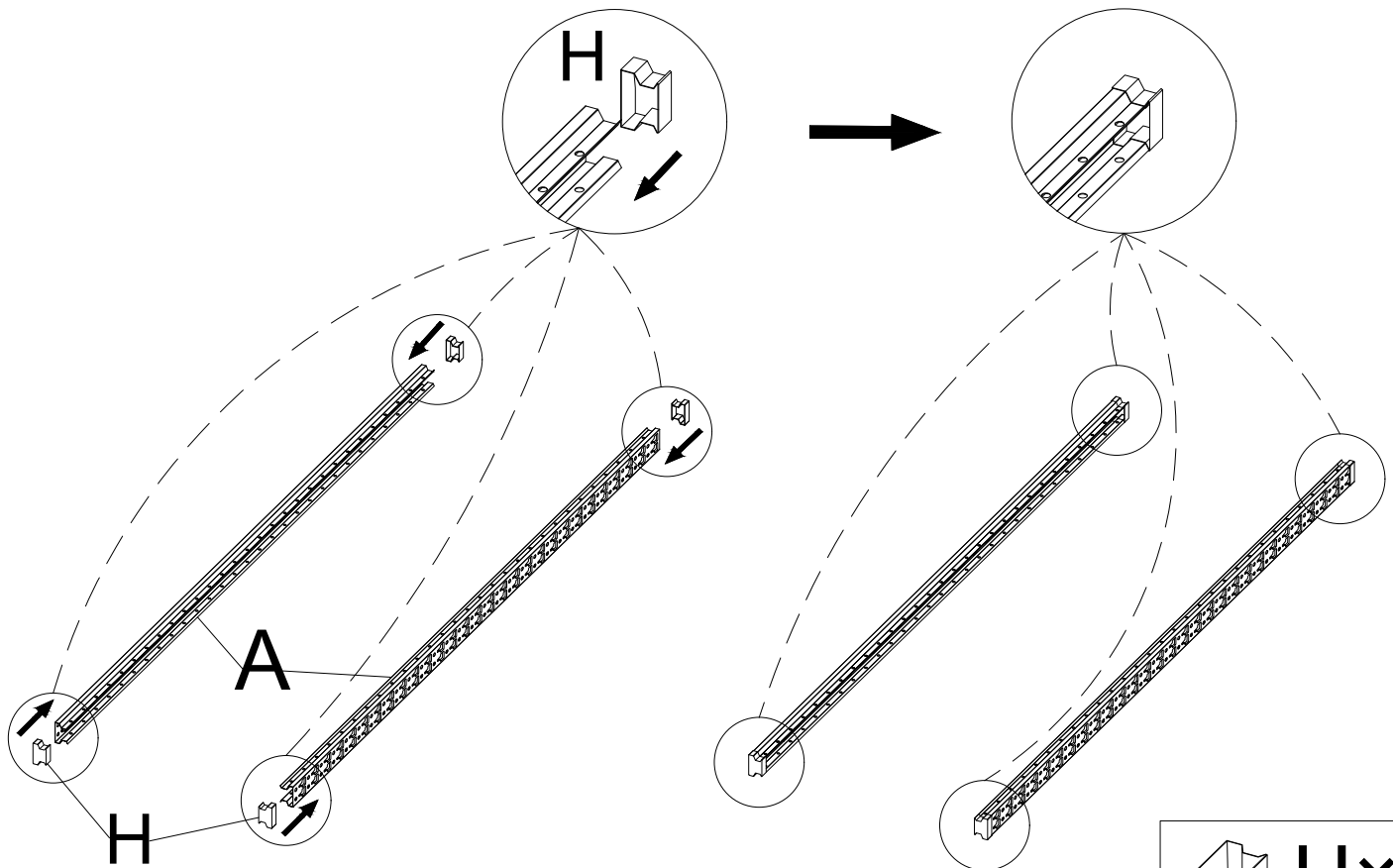


I×16



1

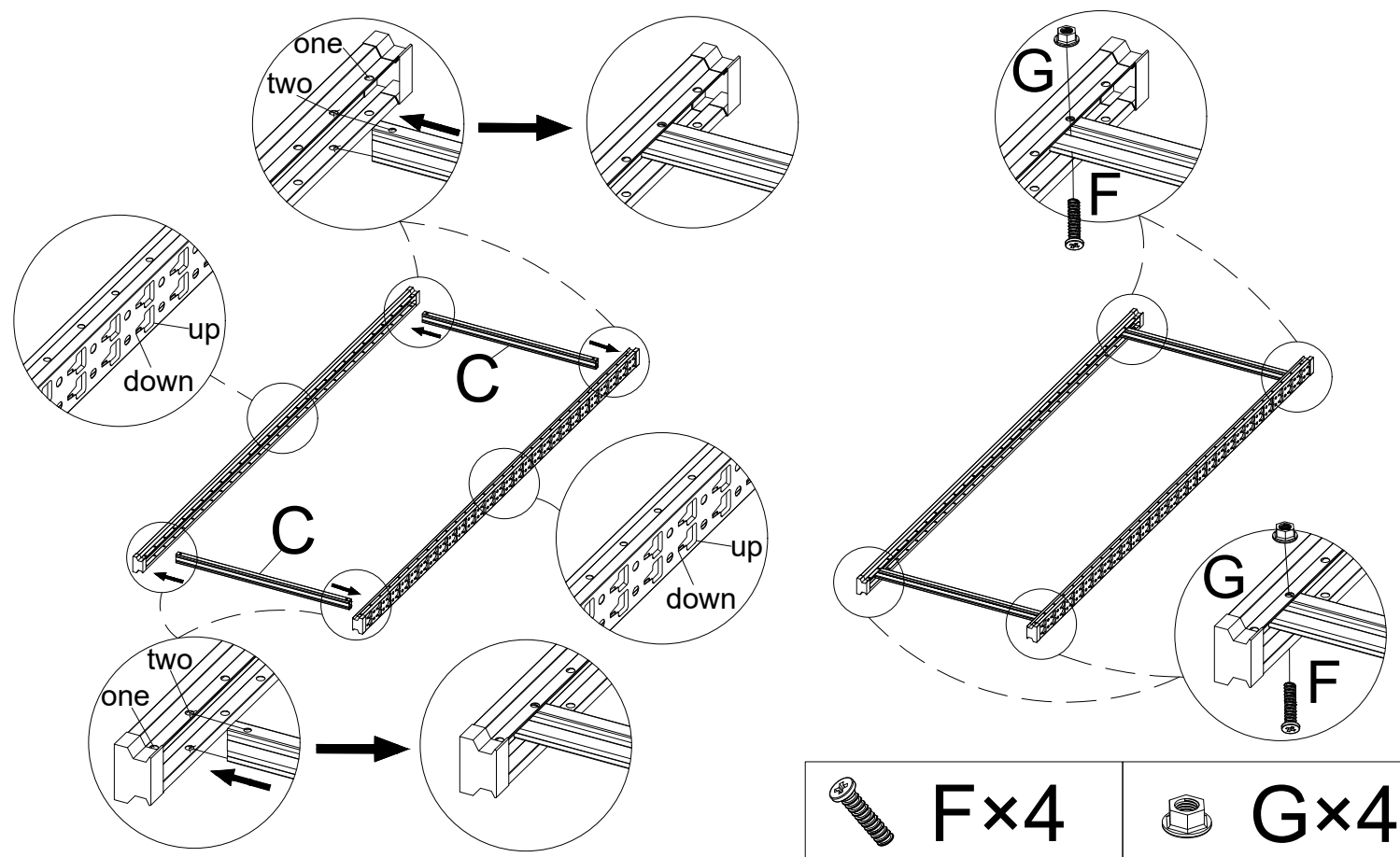
Install the 8 covers (Part H) on each end of the 4 vertical tubes (Part A).



 H×8

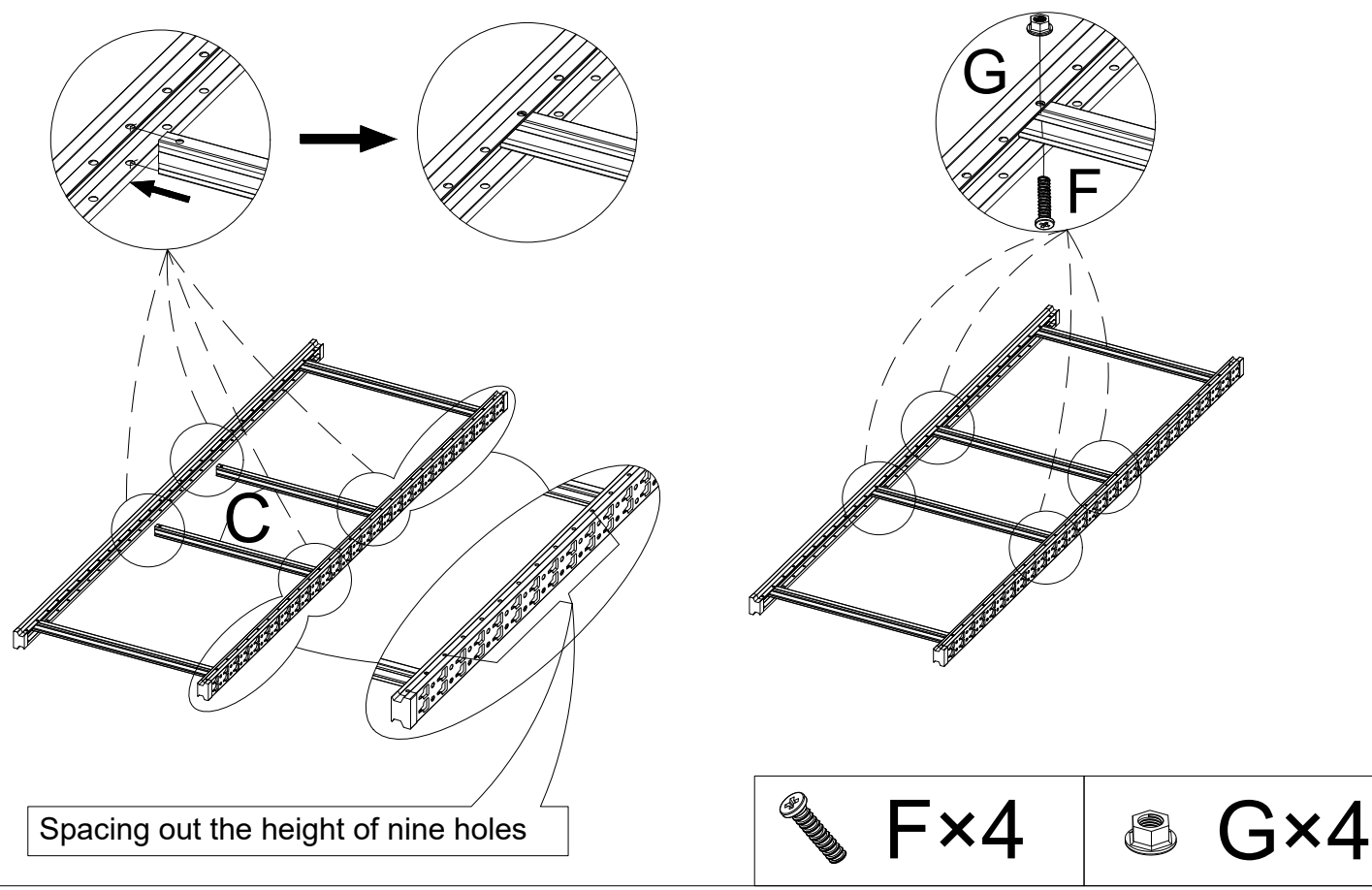
2

Align the two horizontal tubes (Part C) with the second holes at the top and connect them using four sets of bolts and nuts, please note: do not tighten up it, as it will affect step 05 installation.



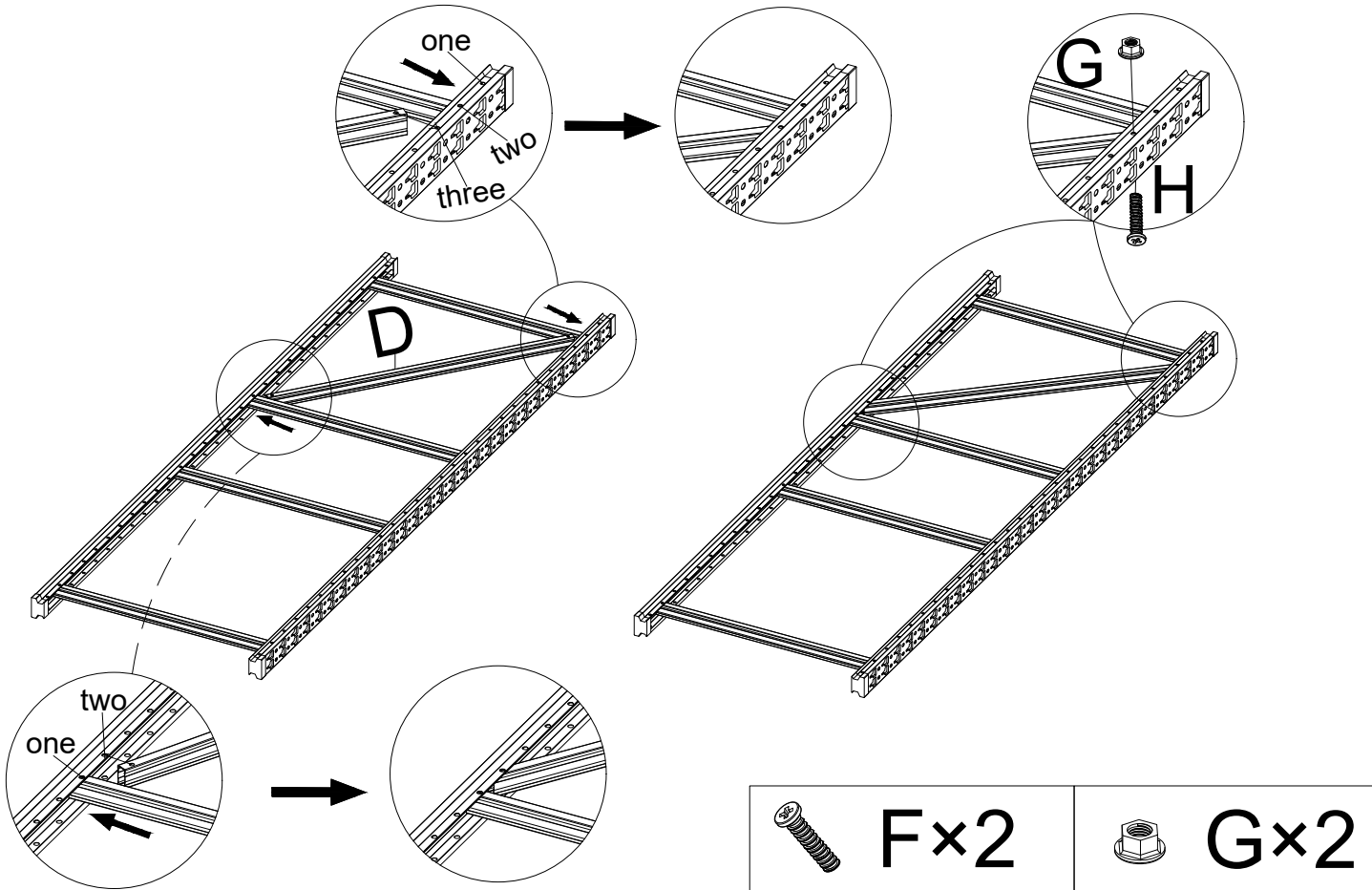
3

Insert the two horizontal tubes (Part C) 9 holes away from the top horizontal tube and 9 holes away from the bottom horizontal tube and secure them with the four sets of bolts and nuts, please note: do not tighten them as this may interfere with the installation in step 05.



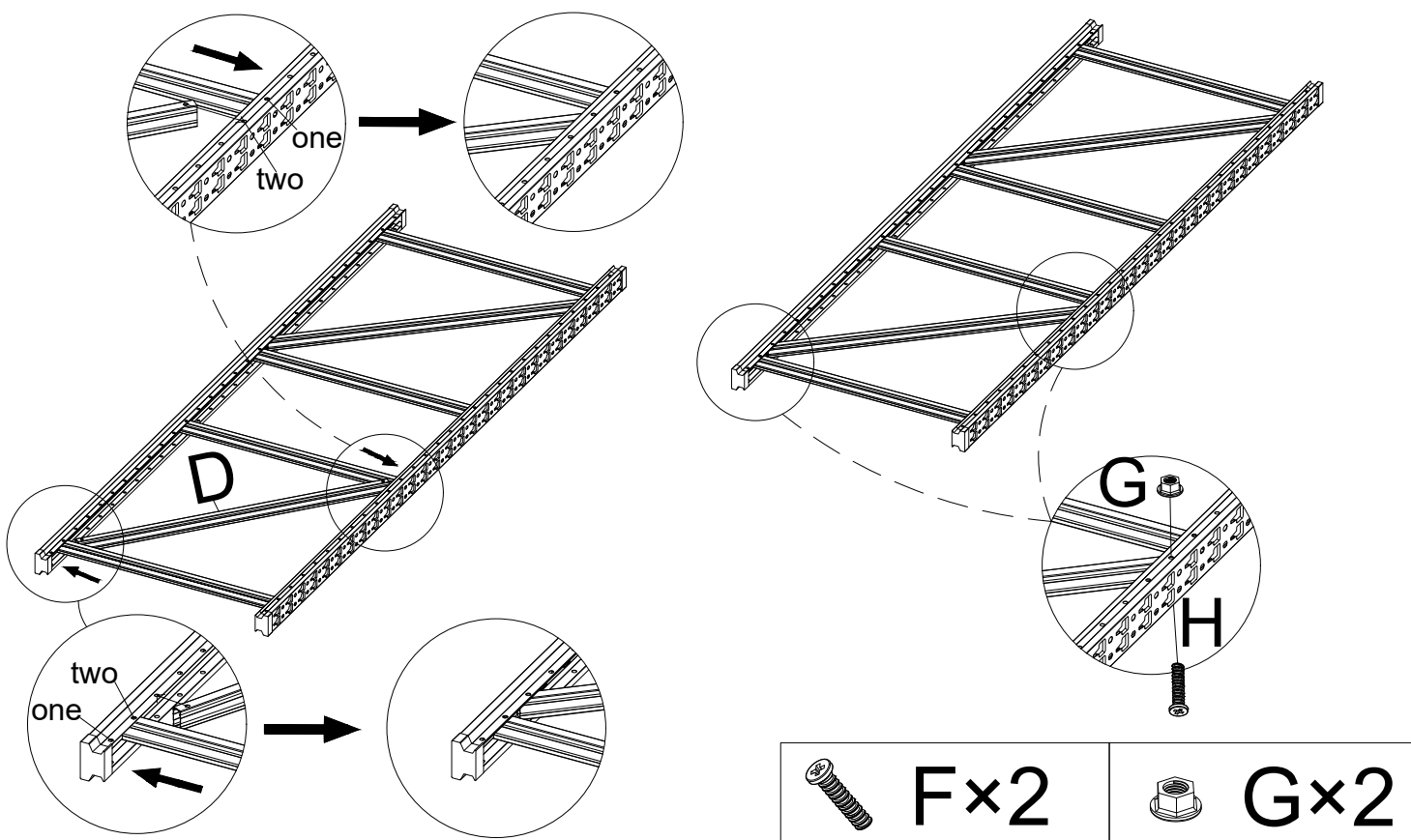
4

Place Part D diagonally into into the frame with ① the top holes aligned with the third set of holes at the top of the right vertical tube, and ② the bottom holes aligned with the second set of holes at the top of the horizontal short tube C, and then fasten them with two sets of bolts and nuts, please note: do not tighten them as it may interfere with the installation in step 05.



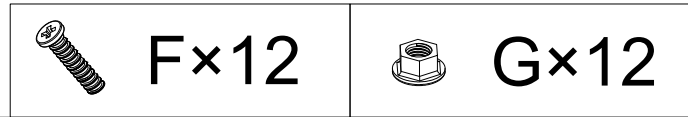
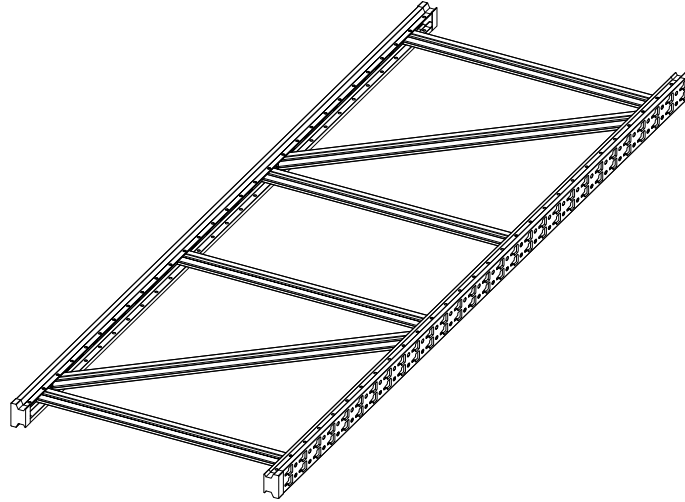
5

Place part D diagonally into into the frame, ① the top holes are aligned with the second set of holes below the horizontal short tube C, ② the bottom holes are aligned with the third set of holes above the vertical tube on the left side, and then fasten them using the two sets of bolts and nuts, and tighten up all the bolts and nuts.



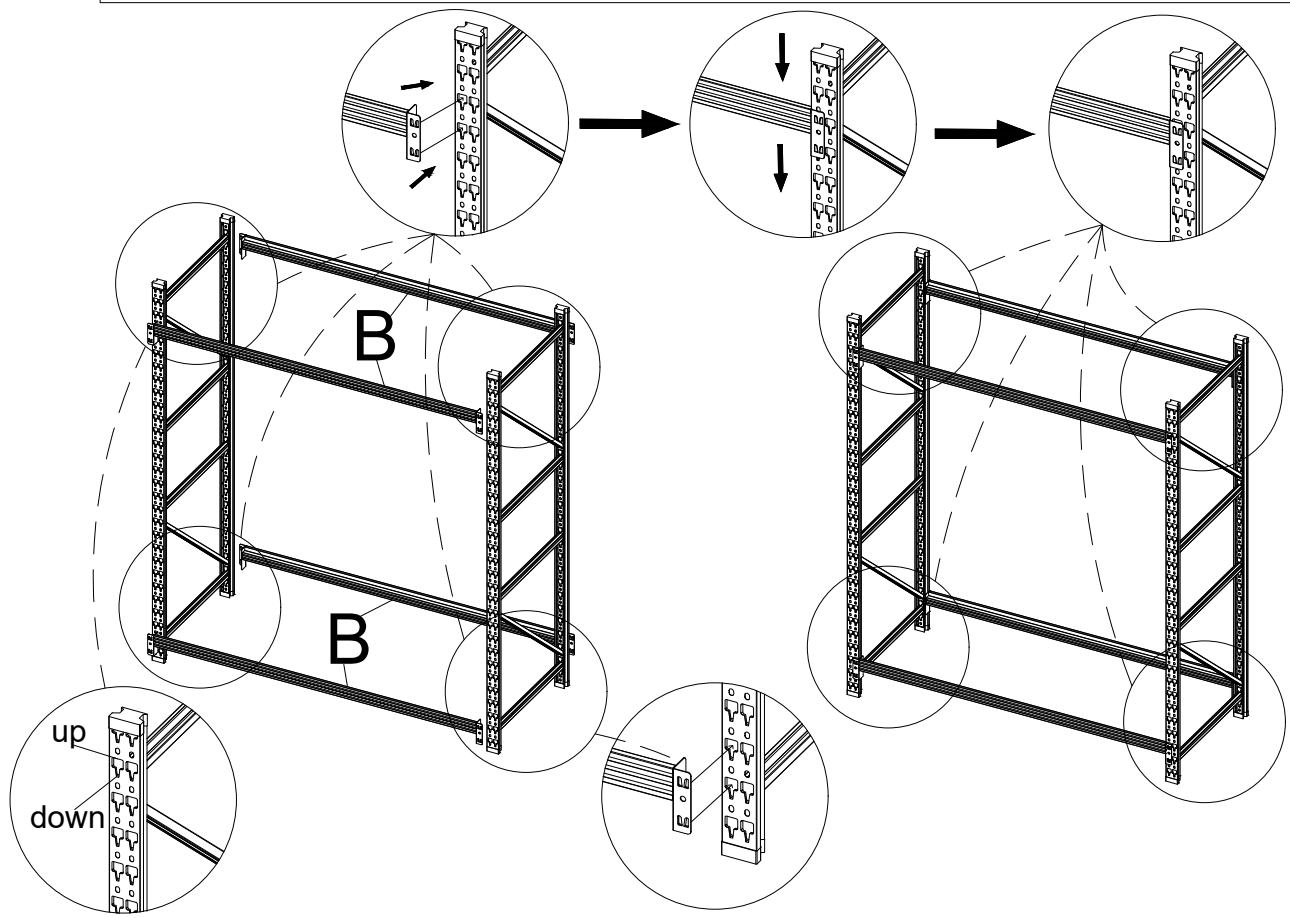
6

Use the same way to assemble another frame.



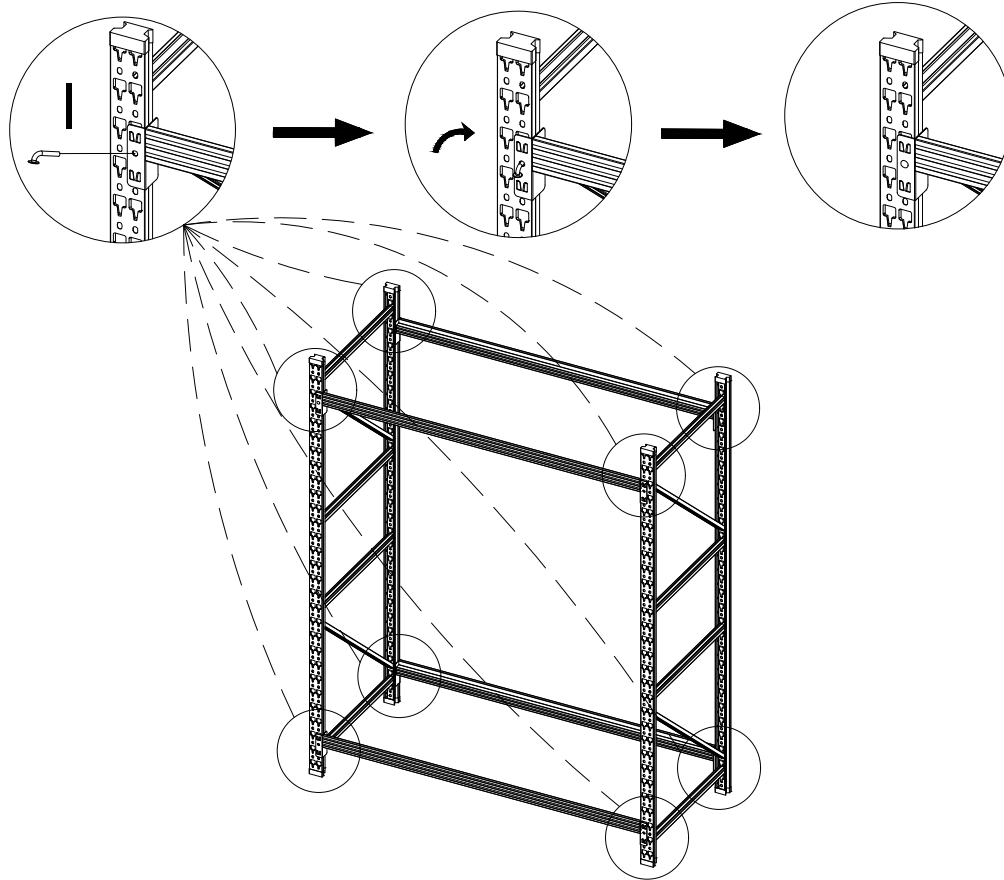
7

Snap the two rivets at the ends of beam B into the holes in the two Parts A, then push beam B down to the end of the holes, there by connecting Part B to the two Parts A. Note that the right angled side of Part B is facing up. Noting that the front and rear beam (Part B) need to be fixed at the same height.



8

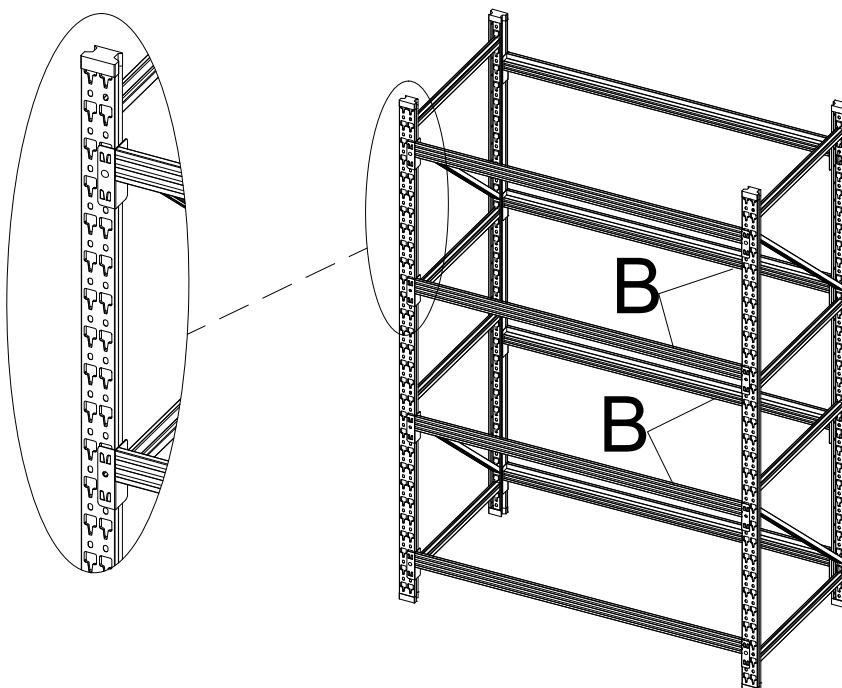
Insert 8pcs Part I into the round hole to fix the beam.



 1x8

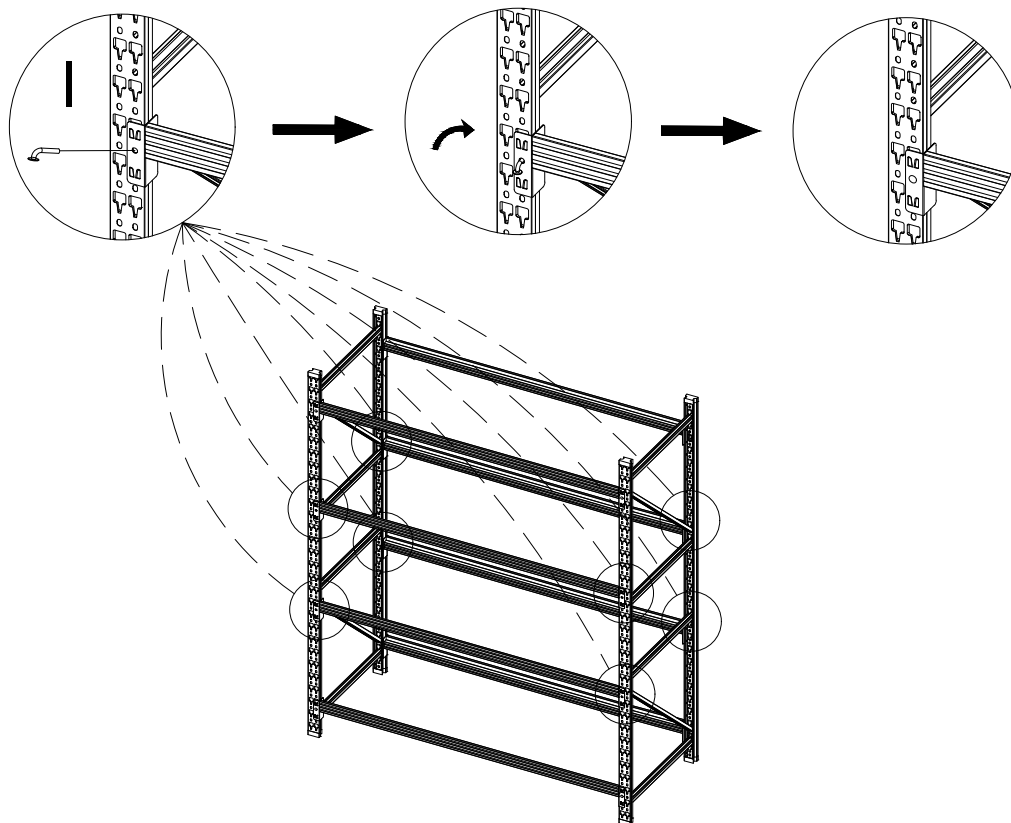
9

Fasten the four remaining beam (Part B) to the vertical tubes at the front and rear to secure them at the same height.



10

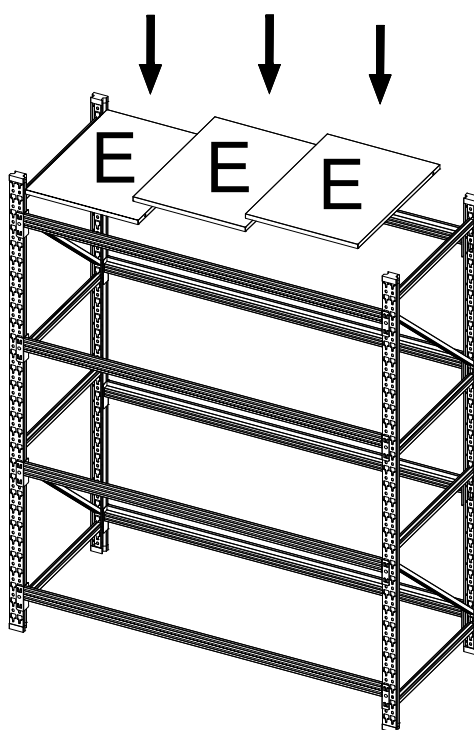
Insert 8pcs Part I into the round hole to fix the beam.



 1×8

11

Place the shelves (Part E) in the frame in order.



12

Place all of the remaining shelves (Part E) into the frame.

