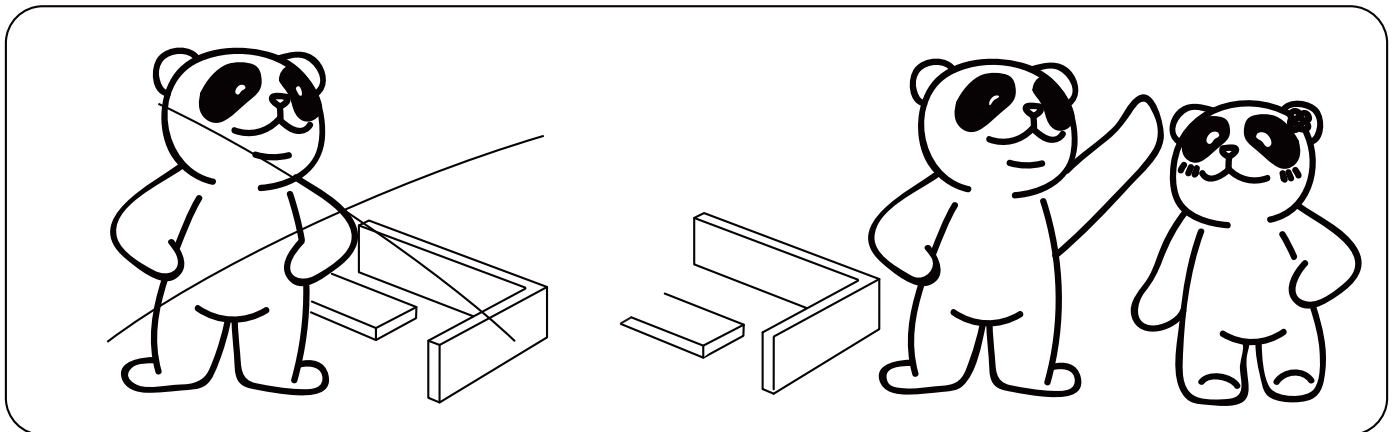
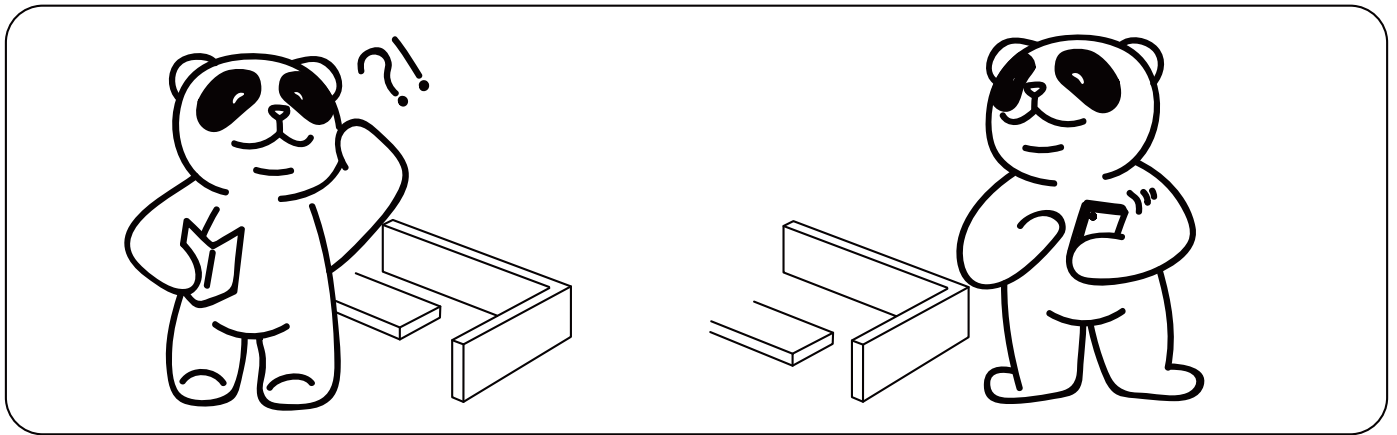
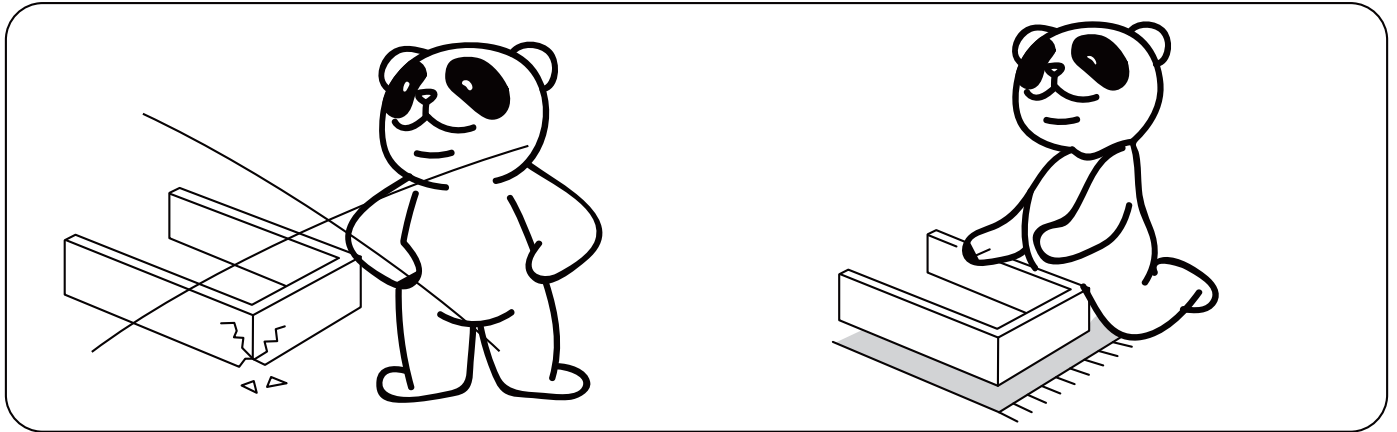
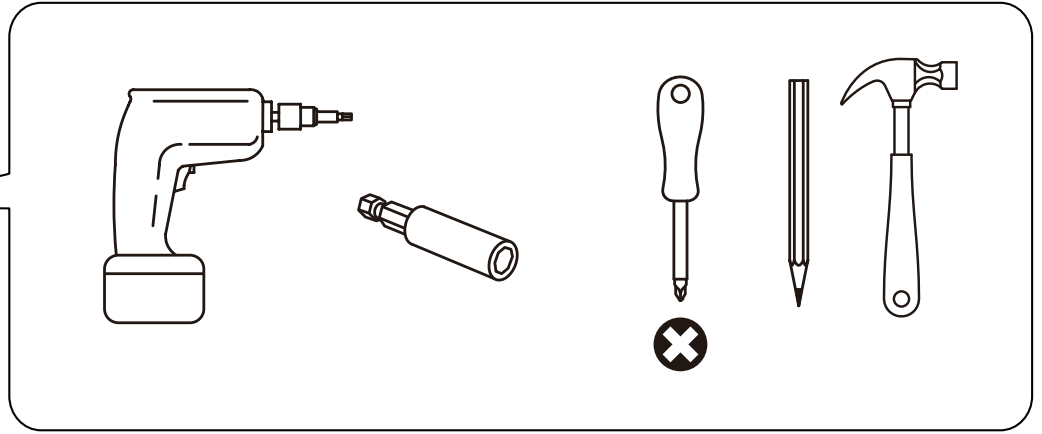




DJ503911
Version: 1.3



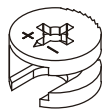
Installation parts



A

x82

Ø6x28mm



B

x82

Ø15x9mm



C

x28

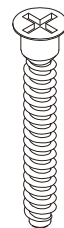
Ø6x30mm



D

x57

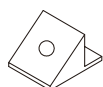
Ø3.5x12mm



E

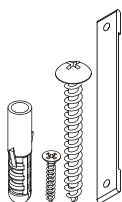
x30

Ø5x40mm



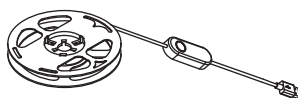
F

x12



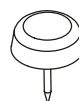
J

x2



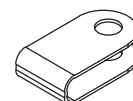
H

x1



G

x8



K

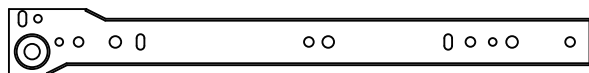
x7



L

x12

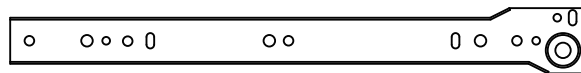
Ø3.5x14mm



CL

x5

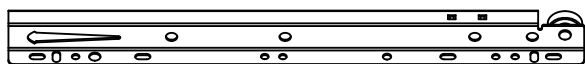
300mm



CR

x5

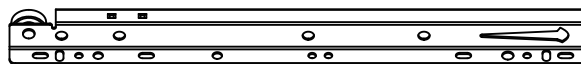
300mm



DL

x5

300mm

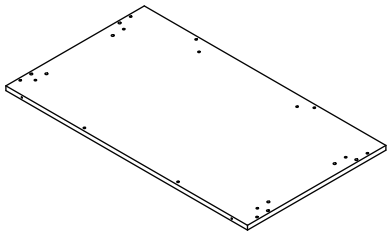


DR

x5

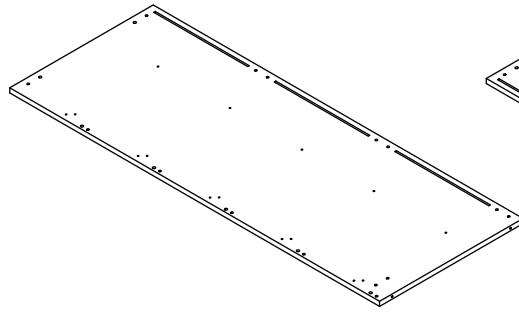
300mm

Mounting frame



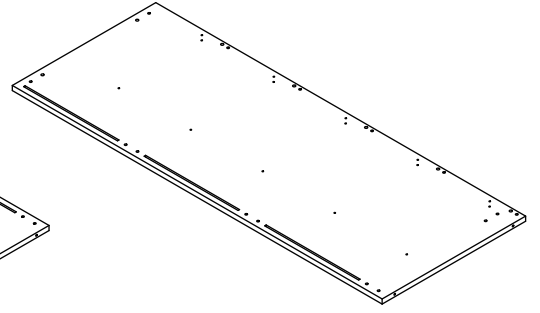
1

x1



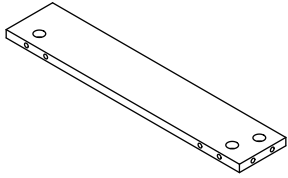
2

x1



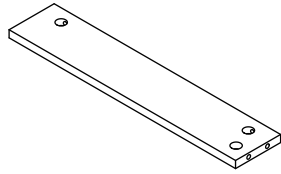
3

x1



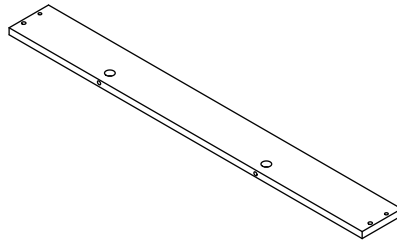
4

x1



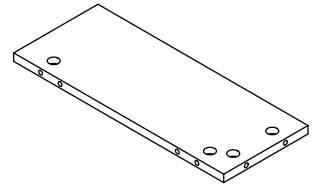
5

x1



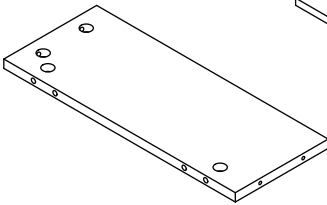
6

x1



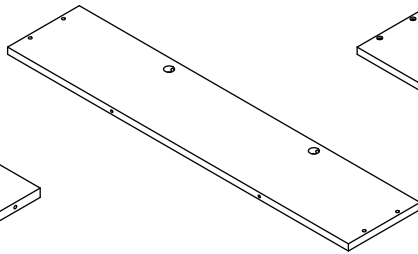
7

x1



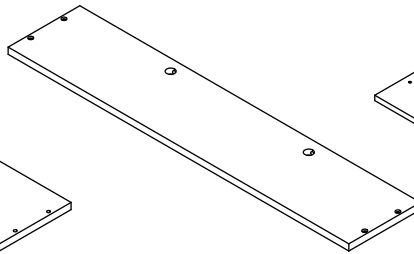
8

x1



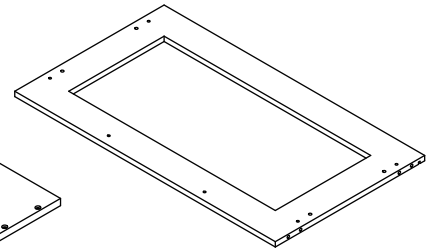
9

x1



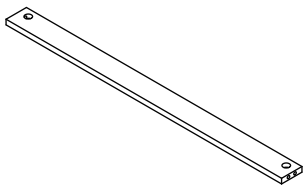
10

x1



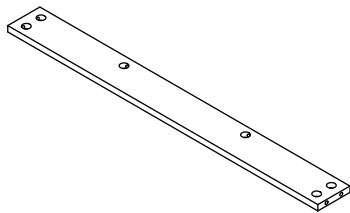
11

x1



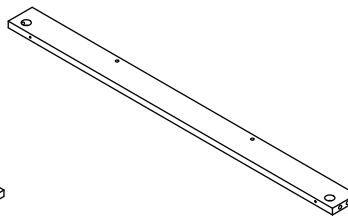
12

x4



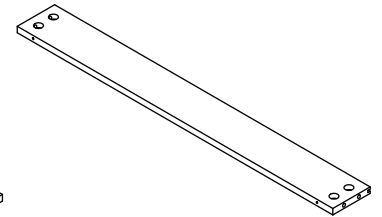
13

x1



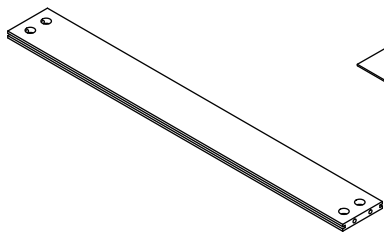
14

x1



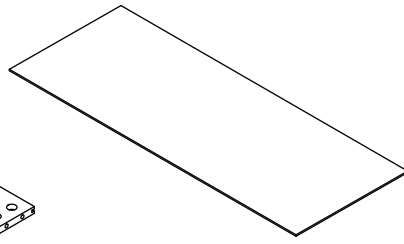
15

x1



16

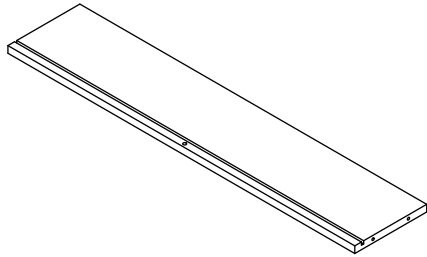
x2



17

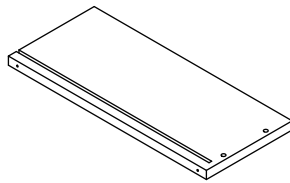
x3

Drawer mounting frame



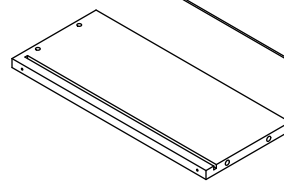
18

x5



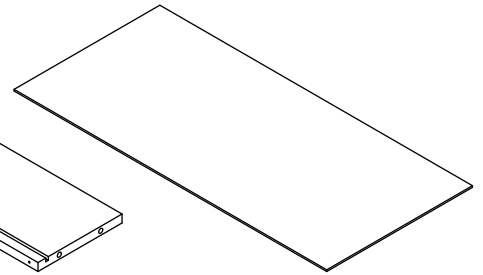
19

x5



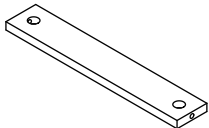
20

x5



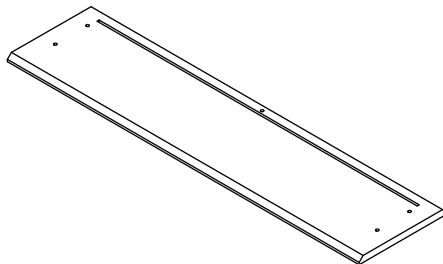
21

x5



22

x5



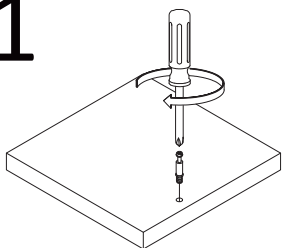
23

x5

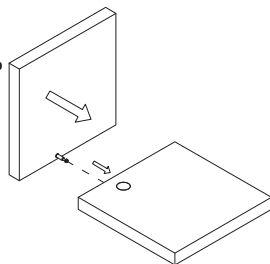
Cam Lock Fastening System

Insert the cam bolt into the hole first, then insert the cam lock and lock it.

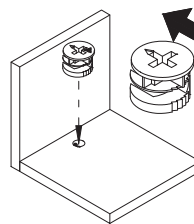
1



2

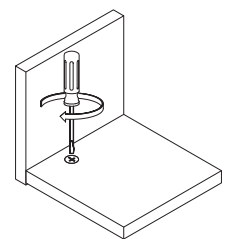


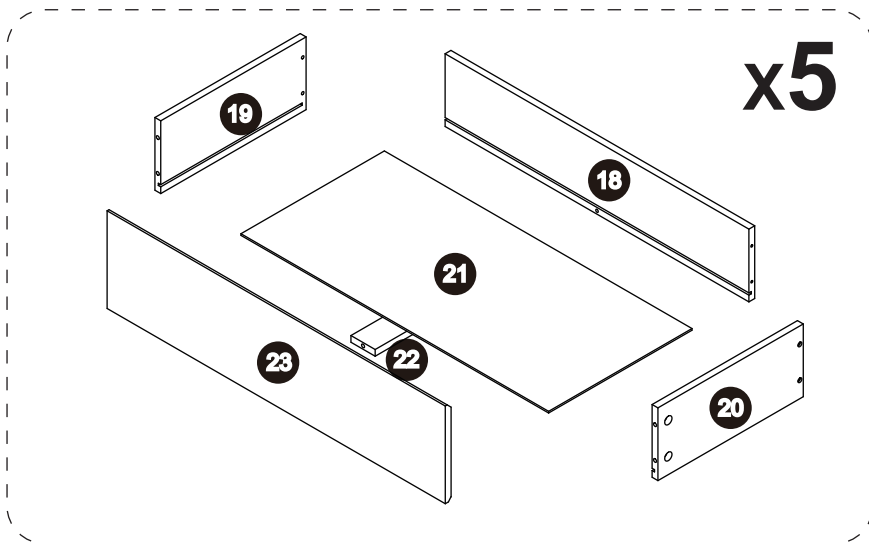
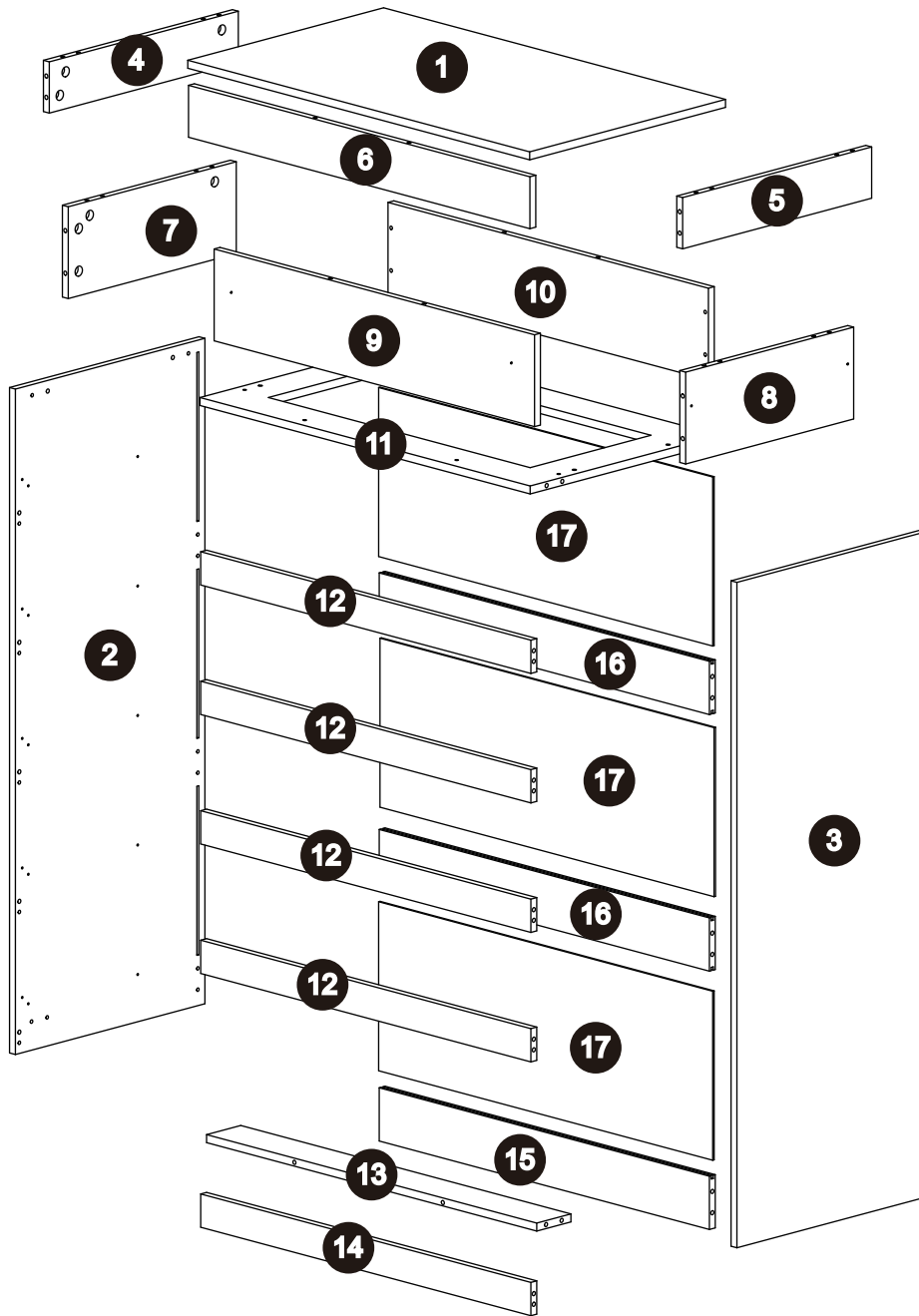
3



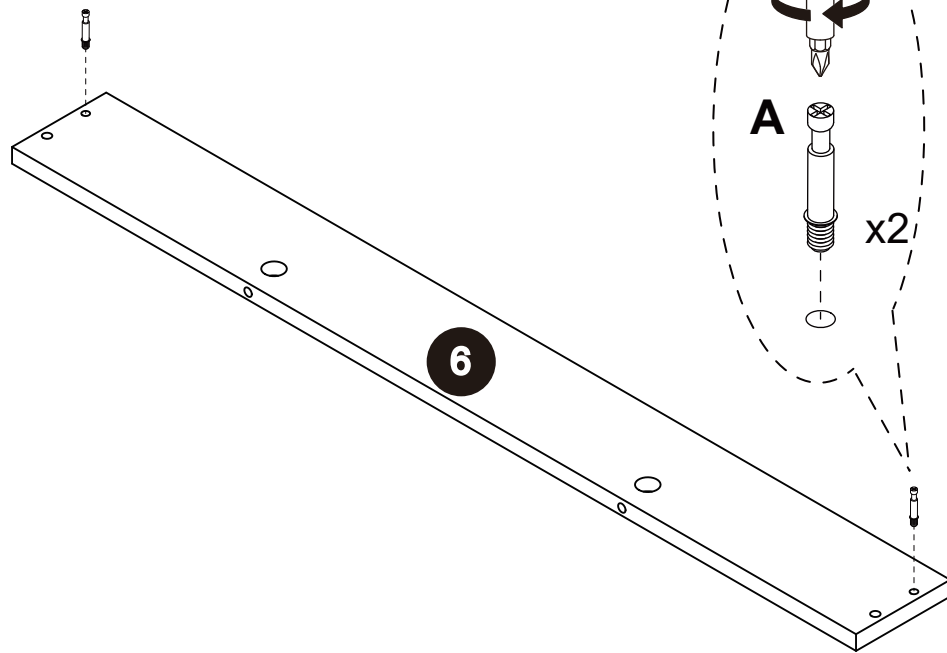
The opening must point toward the edge of the board

4

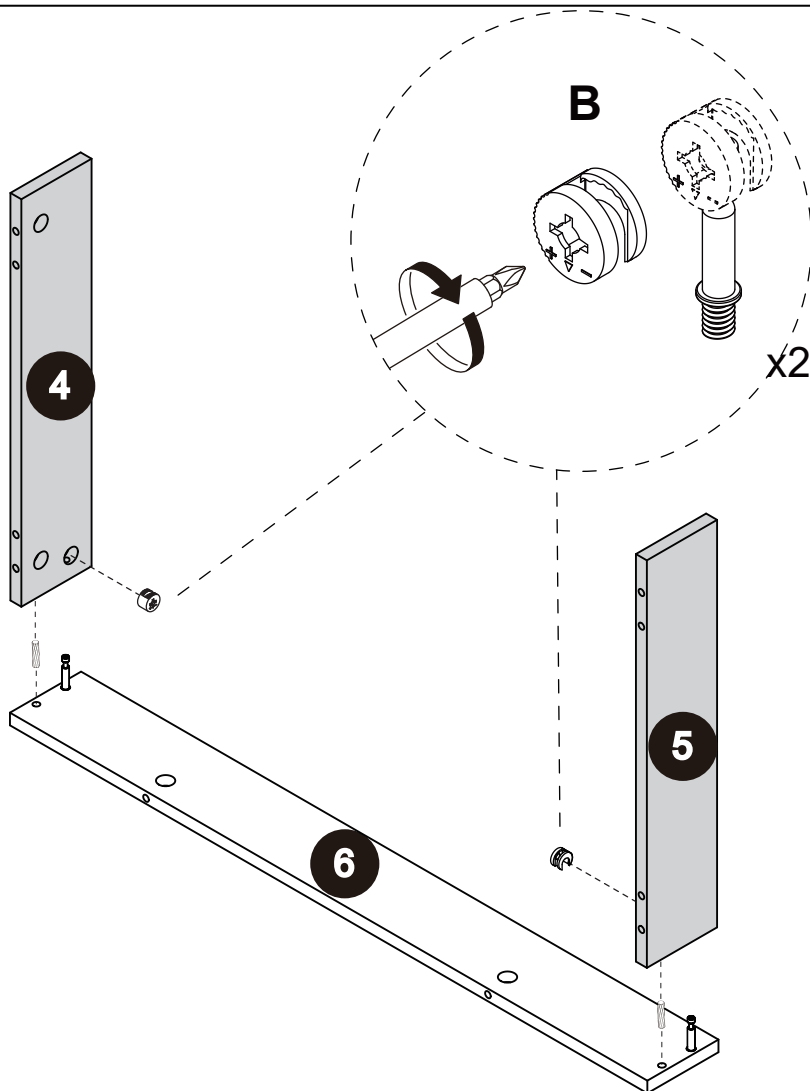




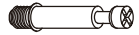
01

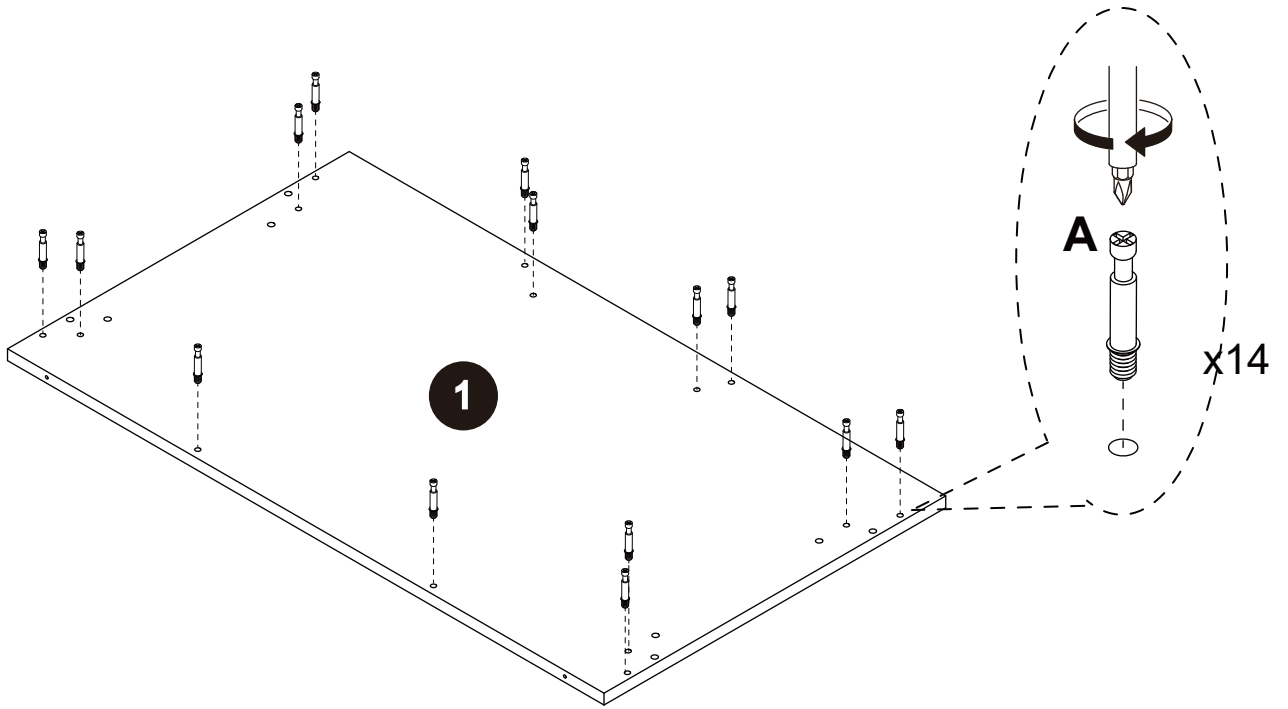


02





03

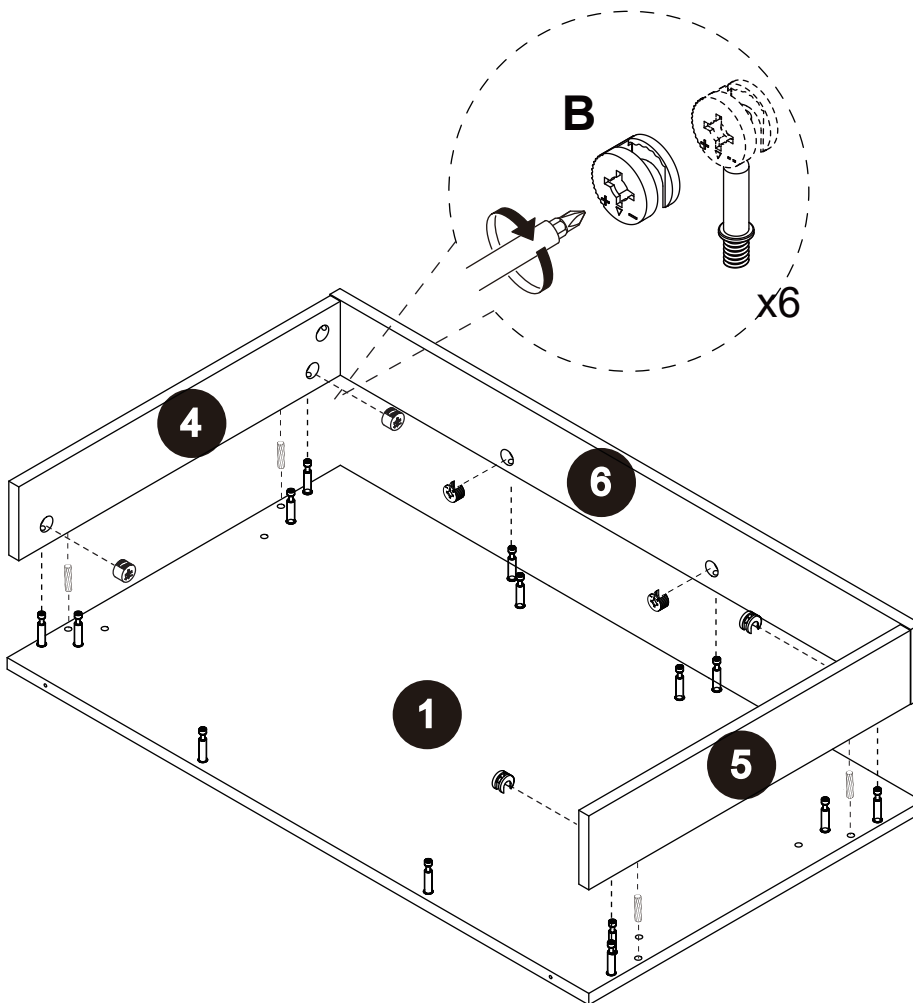
A	x14
	



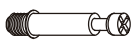
04

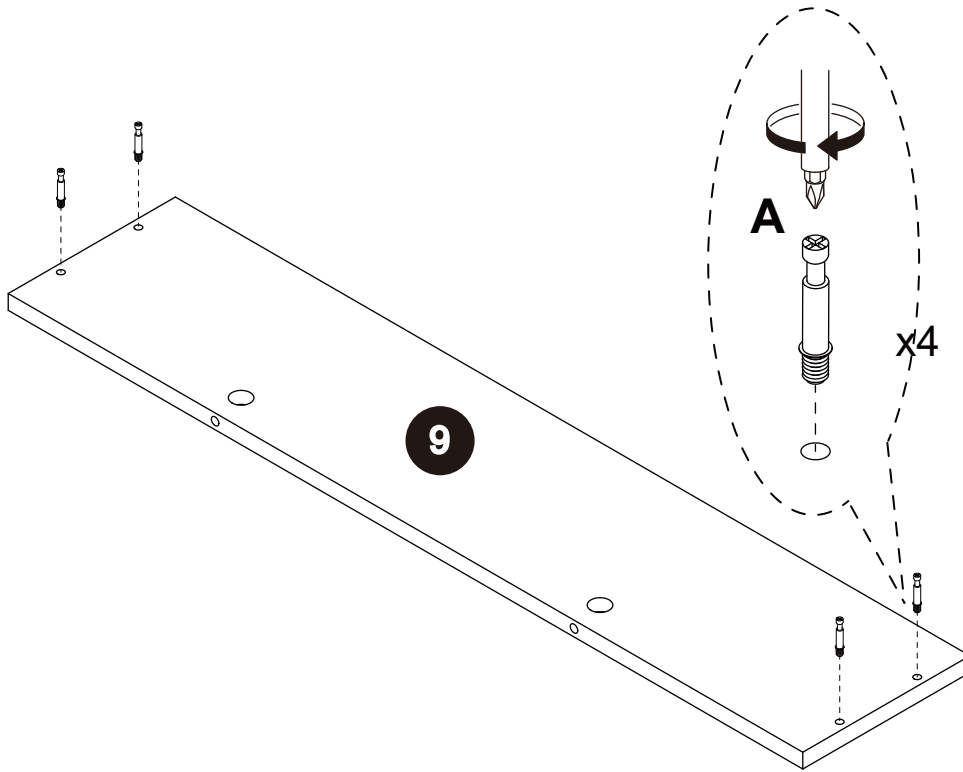
B	x6
	

C	x4
	




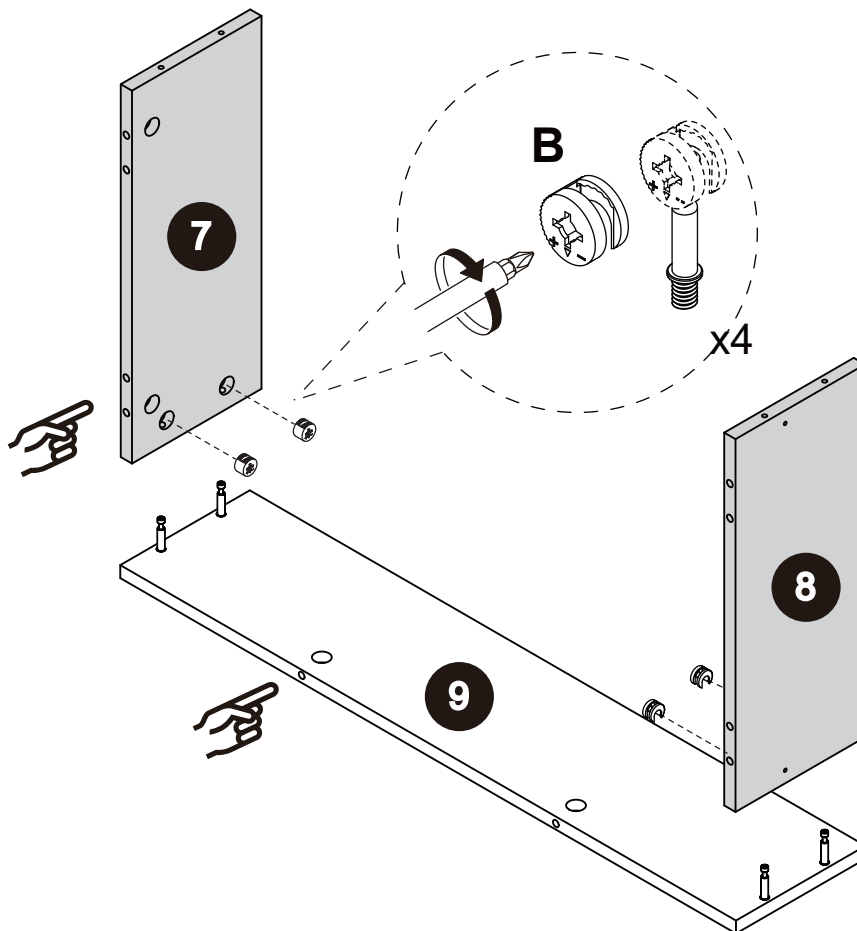
05




A	x4
	

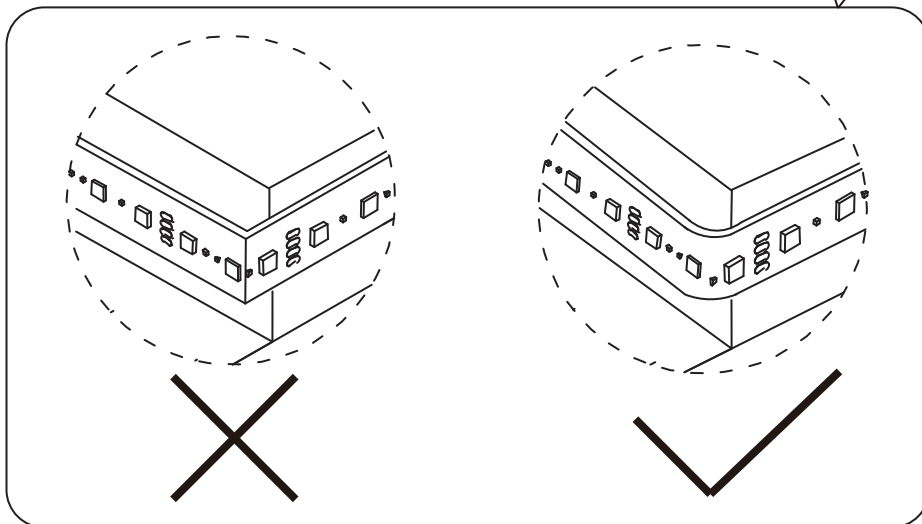
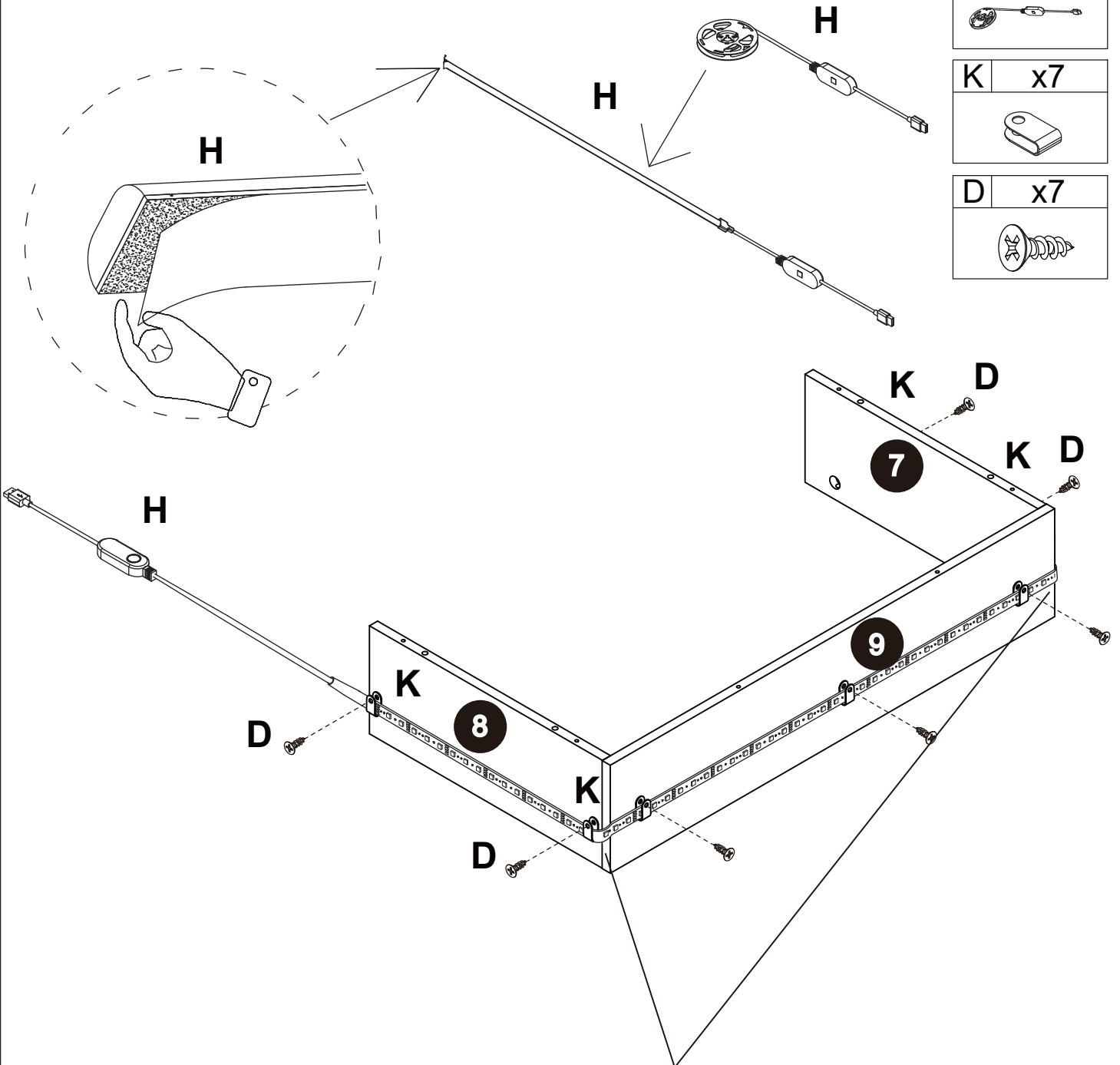


06

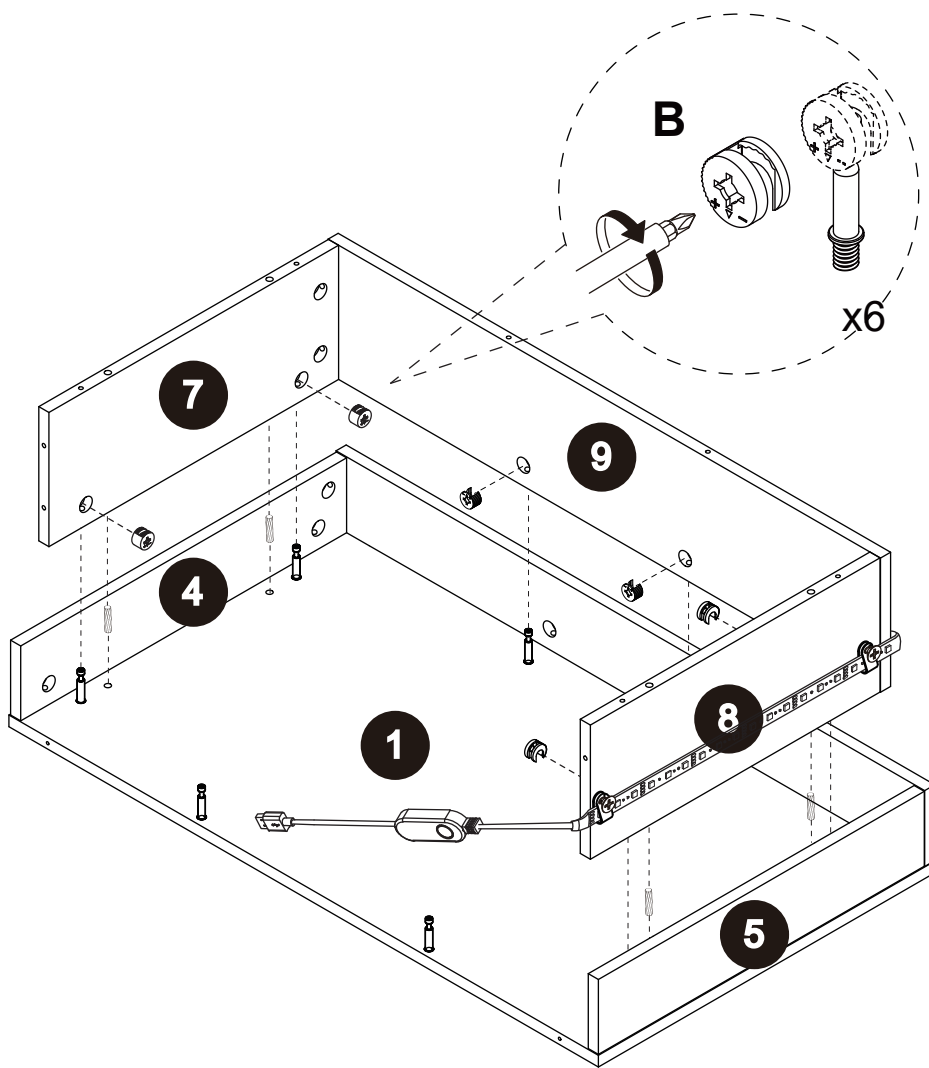
B	x4
	





H	x1
	
K	x7
	
D	x7
	

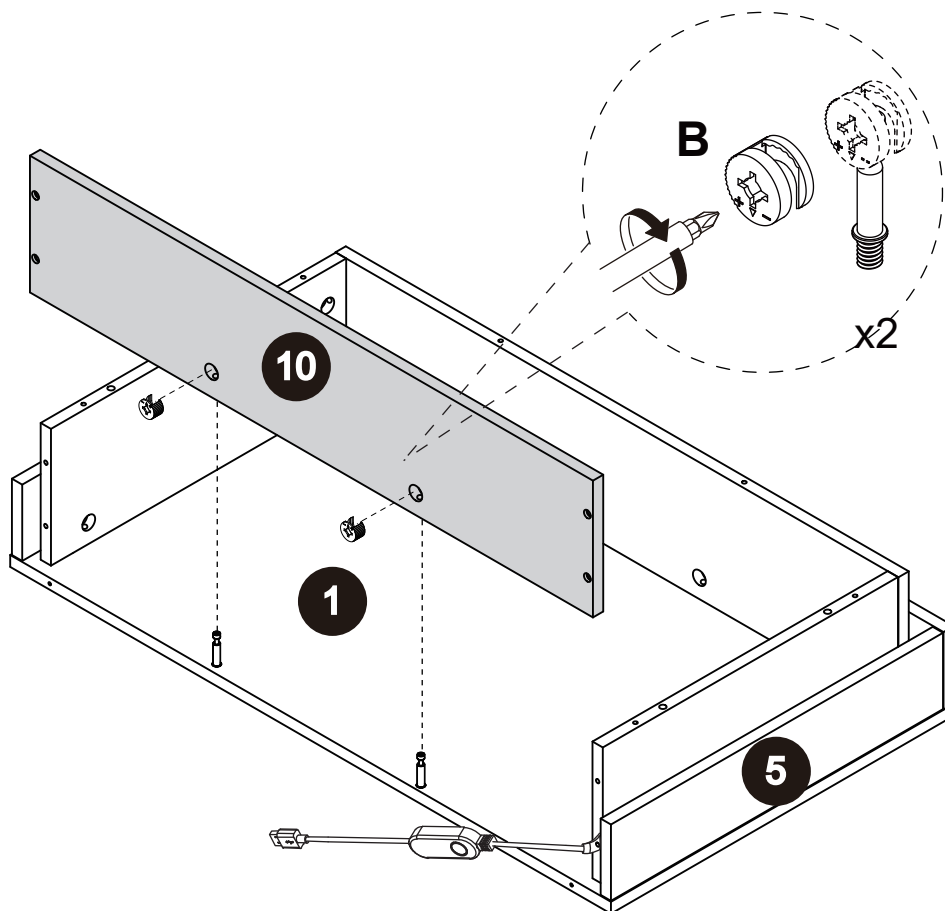



08




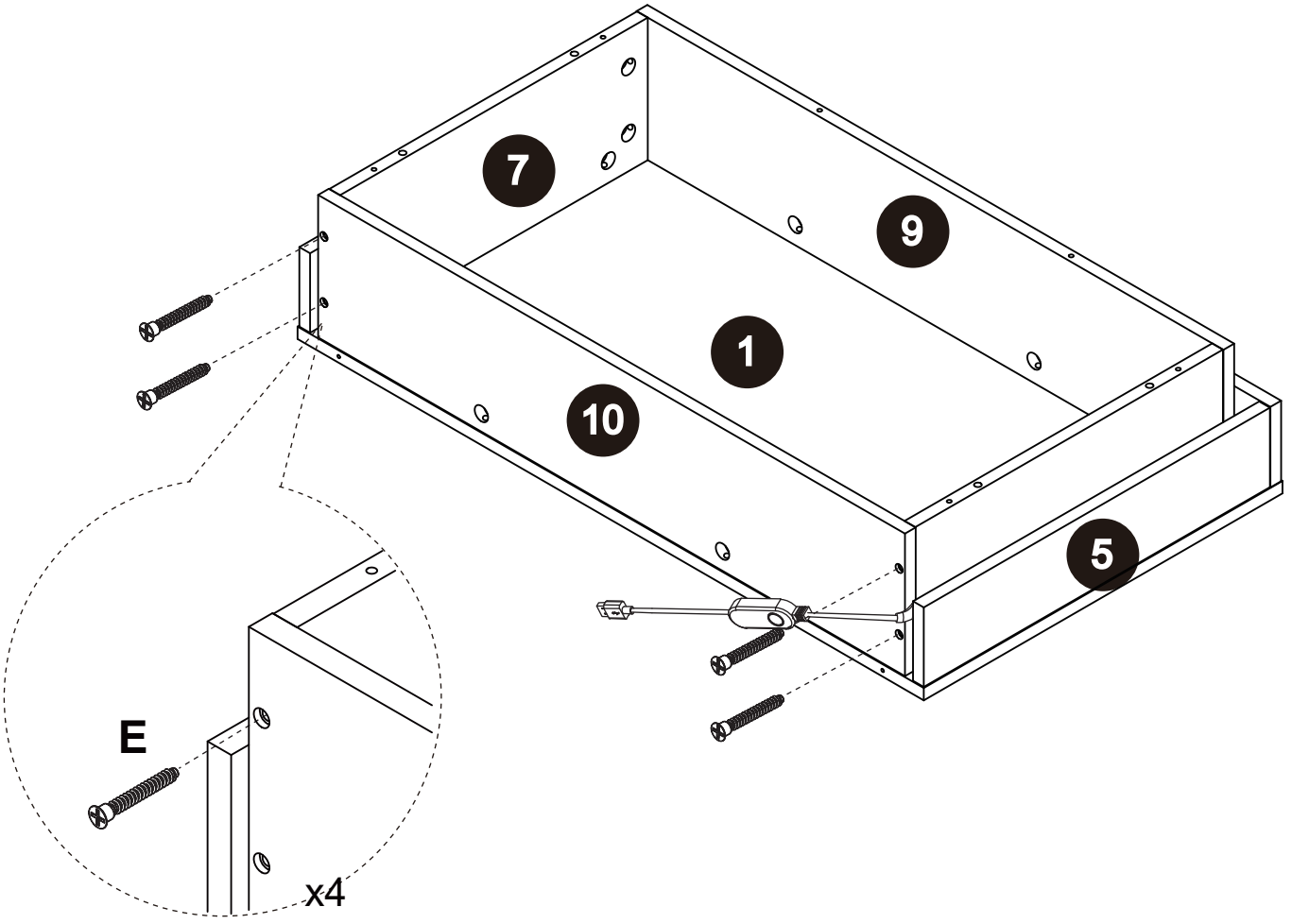
B	x6
	
C	x4
	


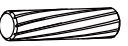
09



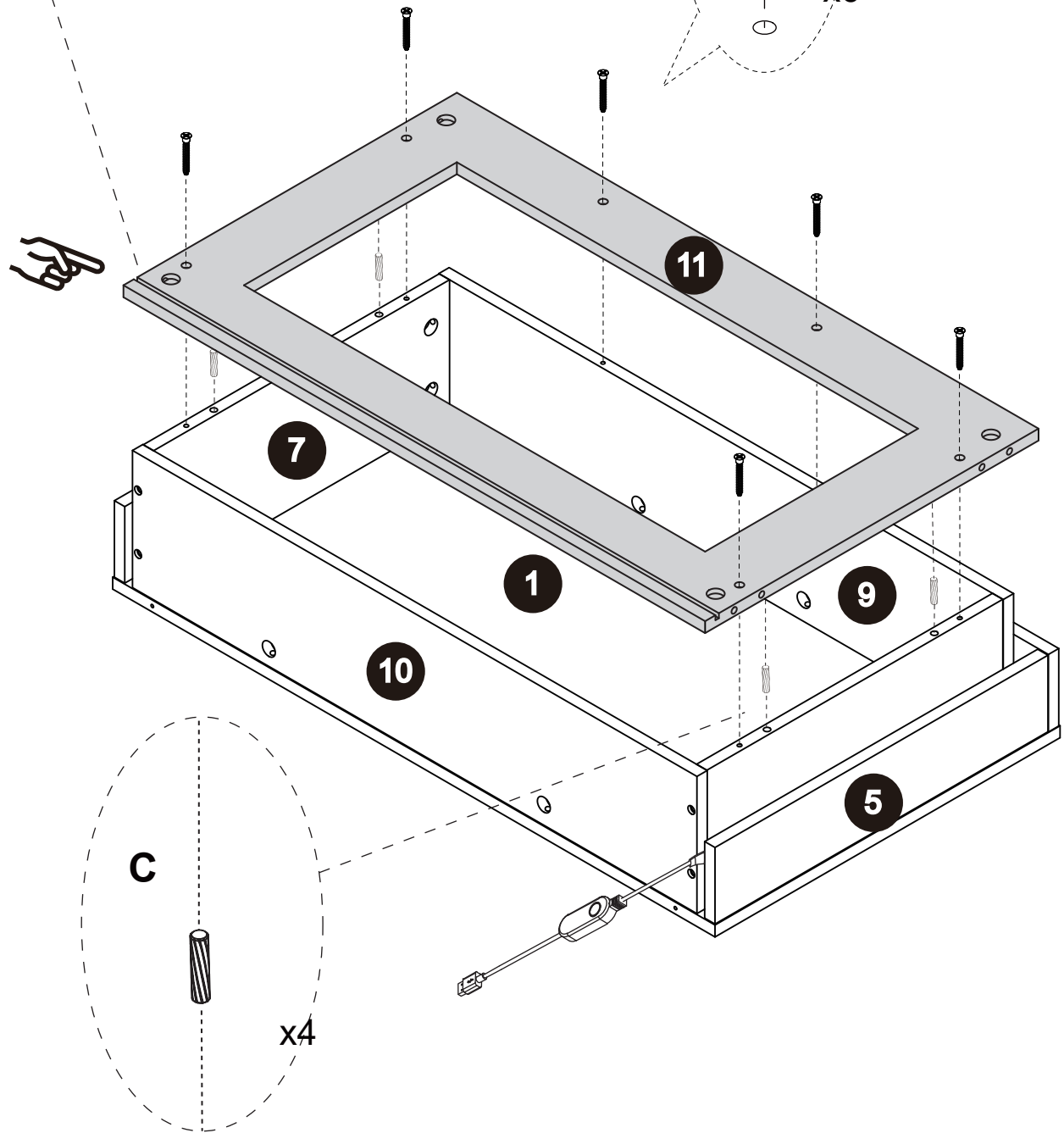
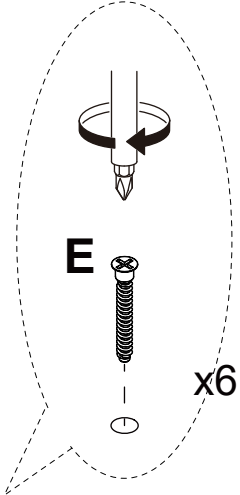
B	x2
	

E	x4
	

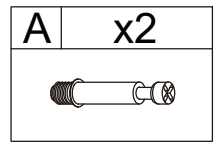
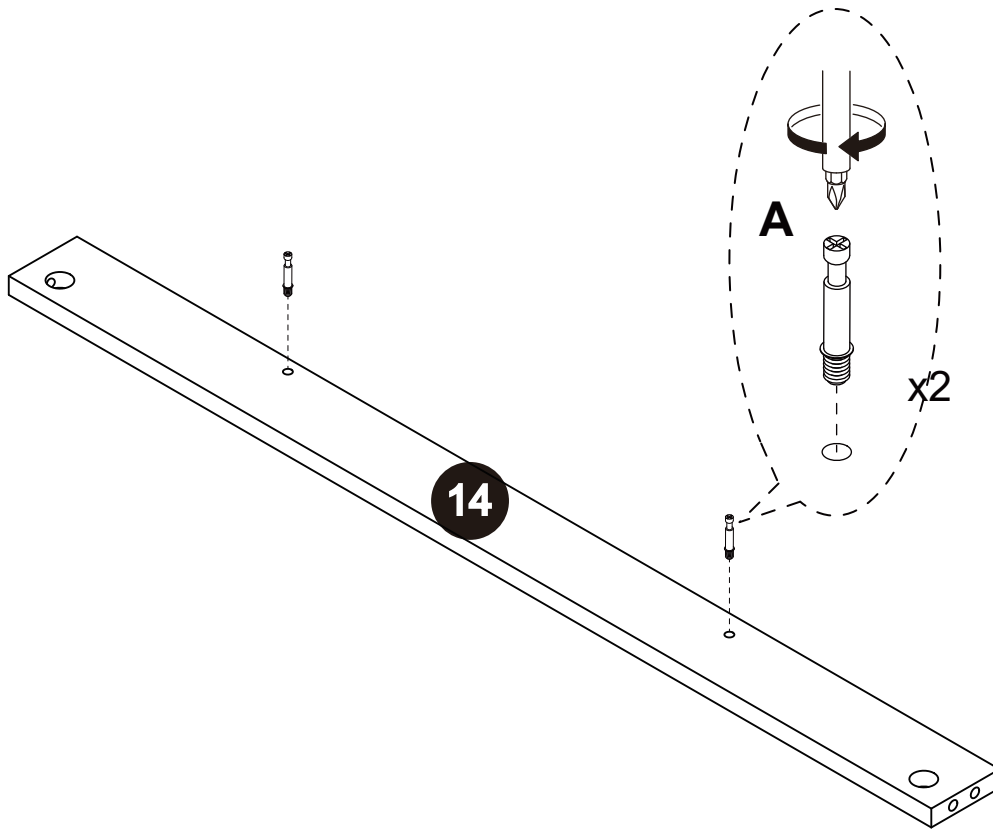


E	x6
	
C	x4
	

Please note the installation direction of plate No. 11

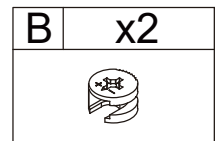
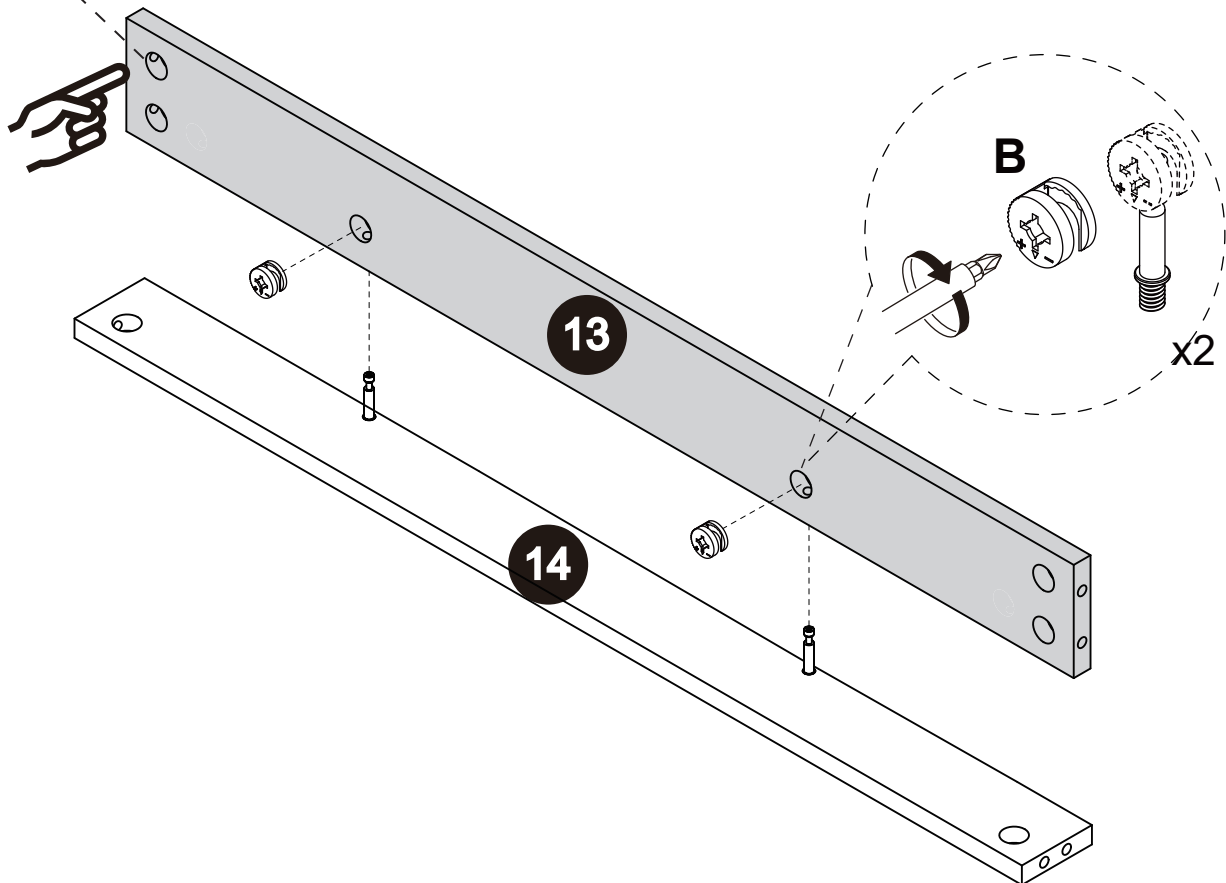


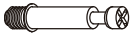


12

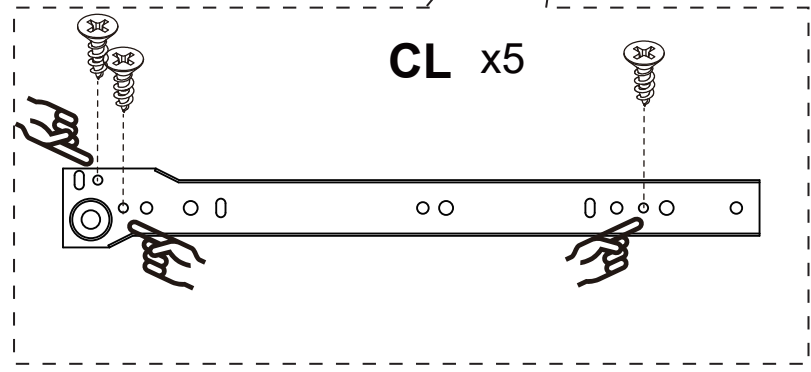
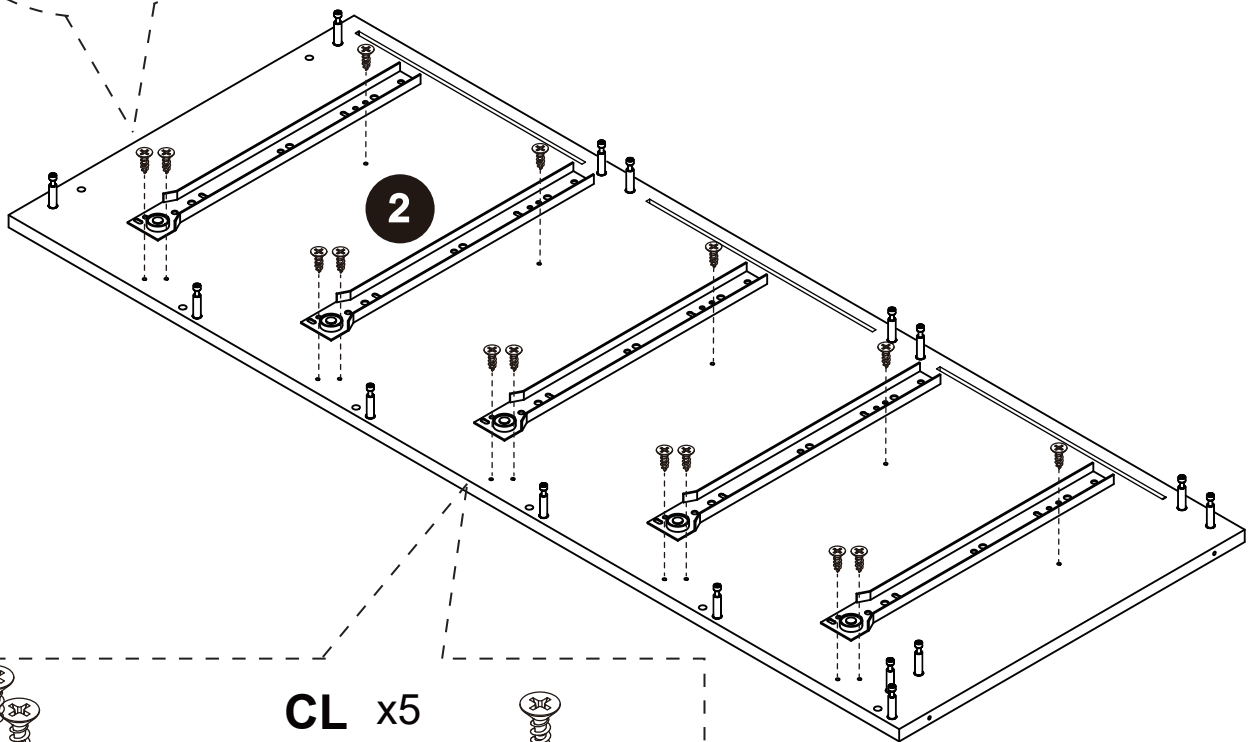
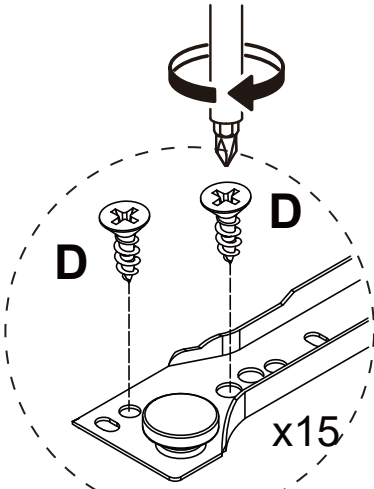
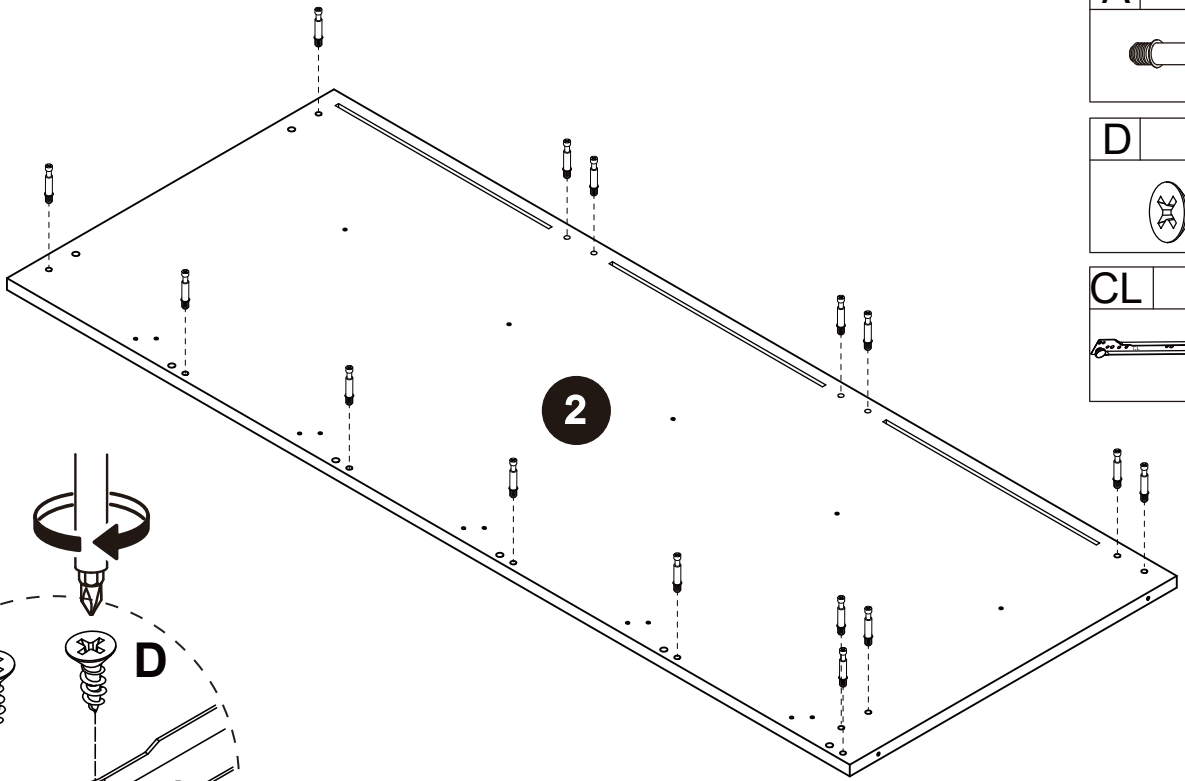


13


There are holes on this side, please note the direction

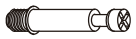



A	x15
	
D	x15
	
CL	x5
	

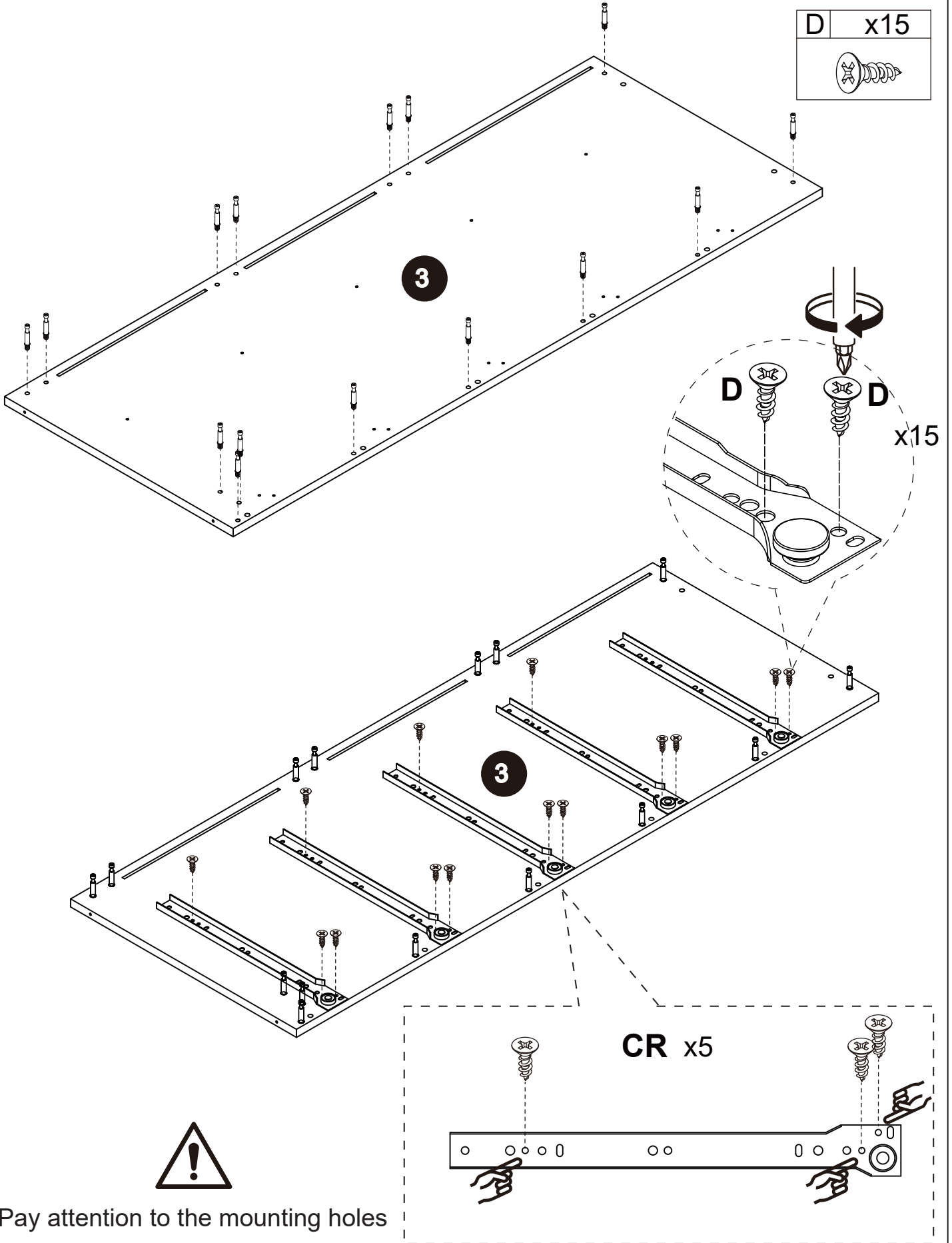




Pay attention to the mounting holes

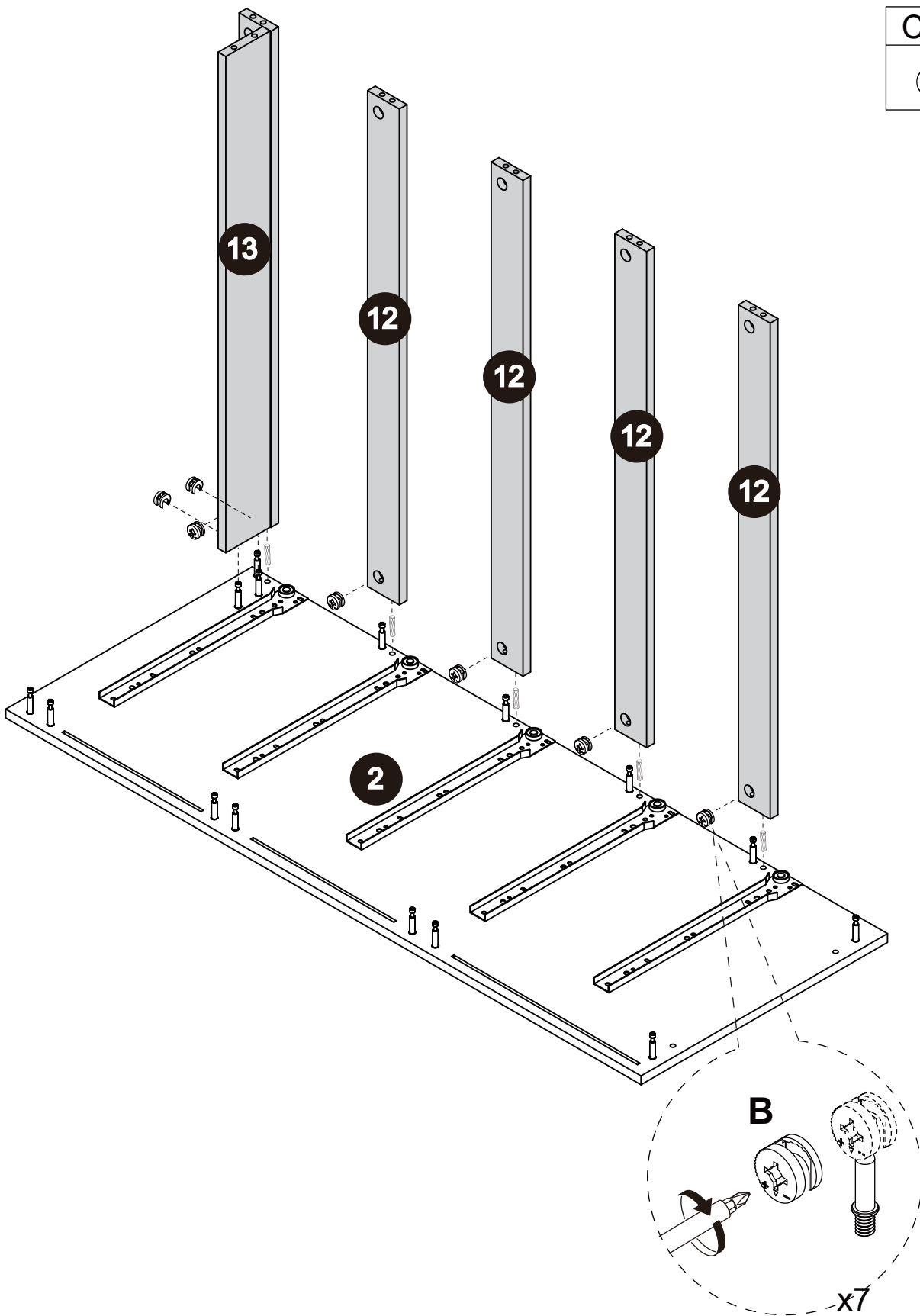
CR	x5
	


A	x15
	

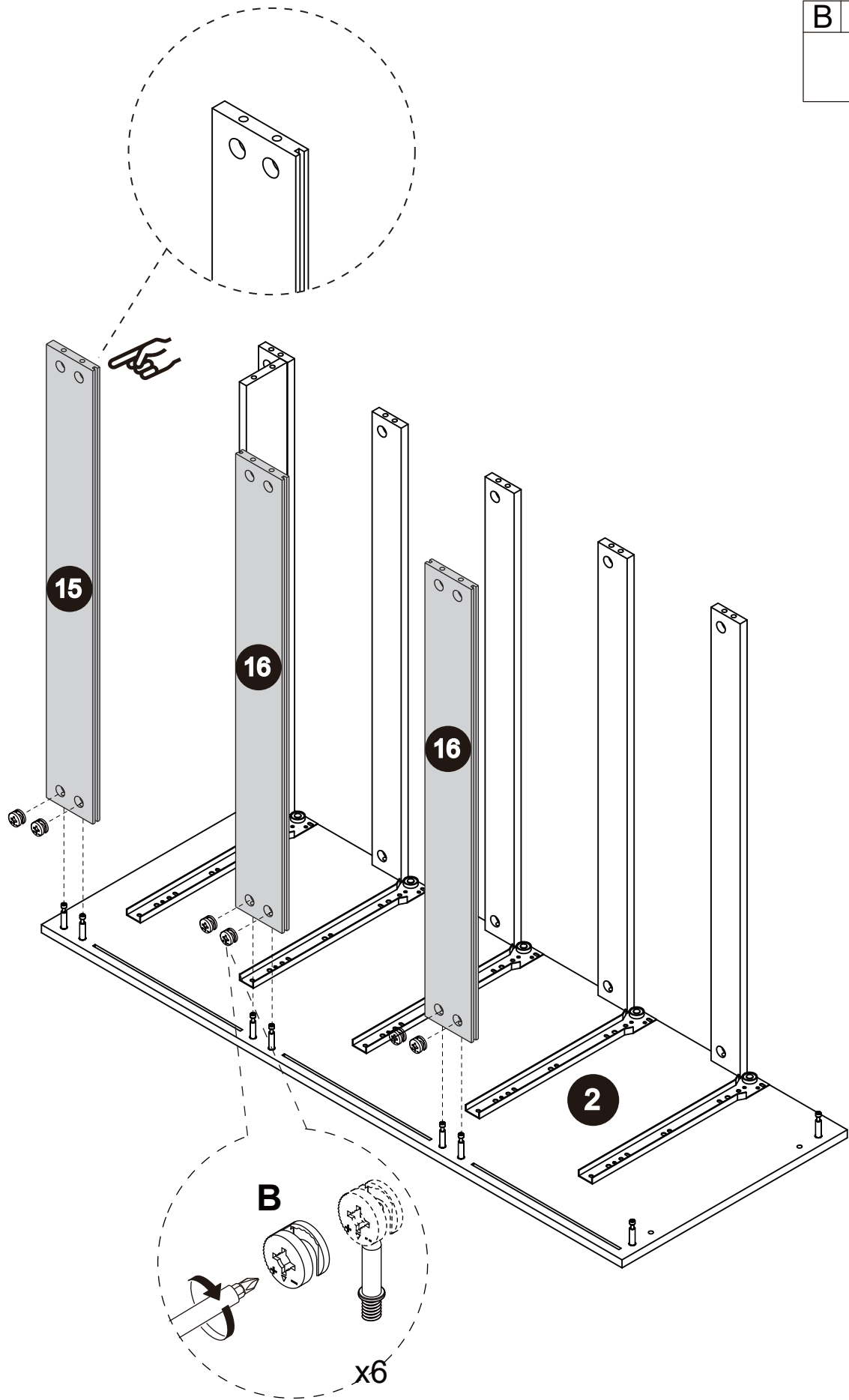
D	x15
	





B	x7
	
C	x5
	



B	x6
	

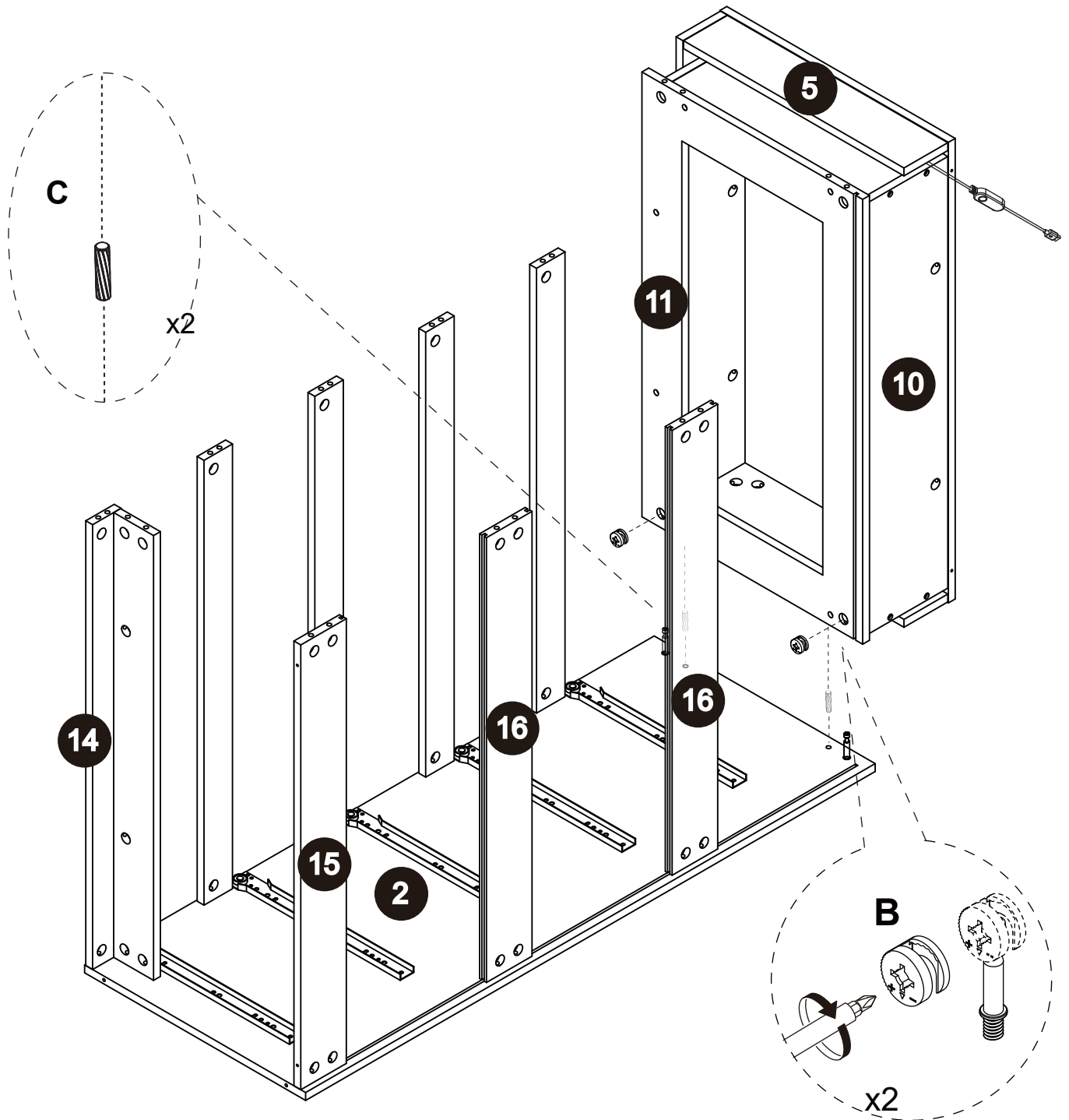


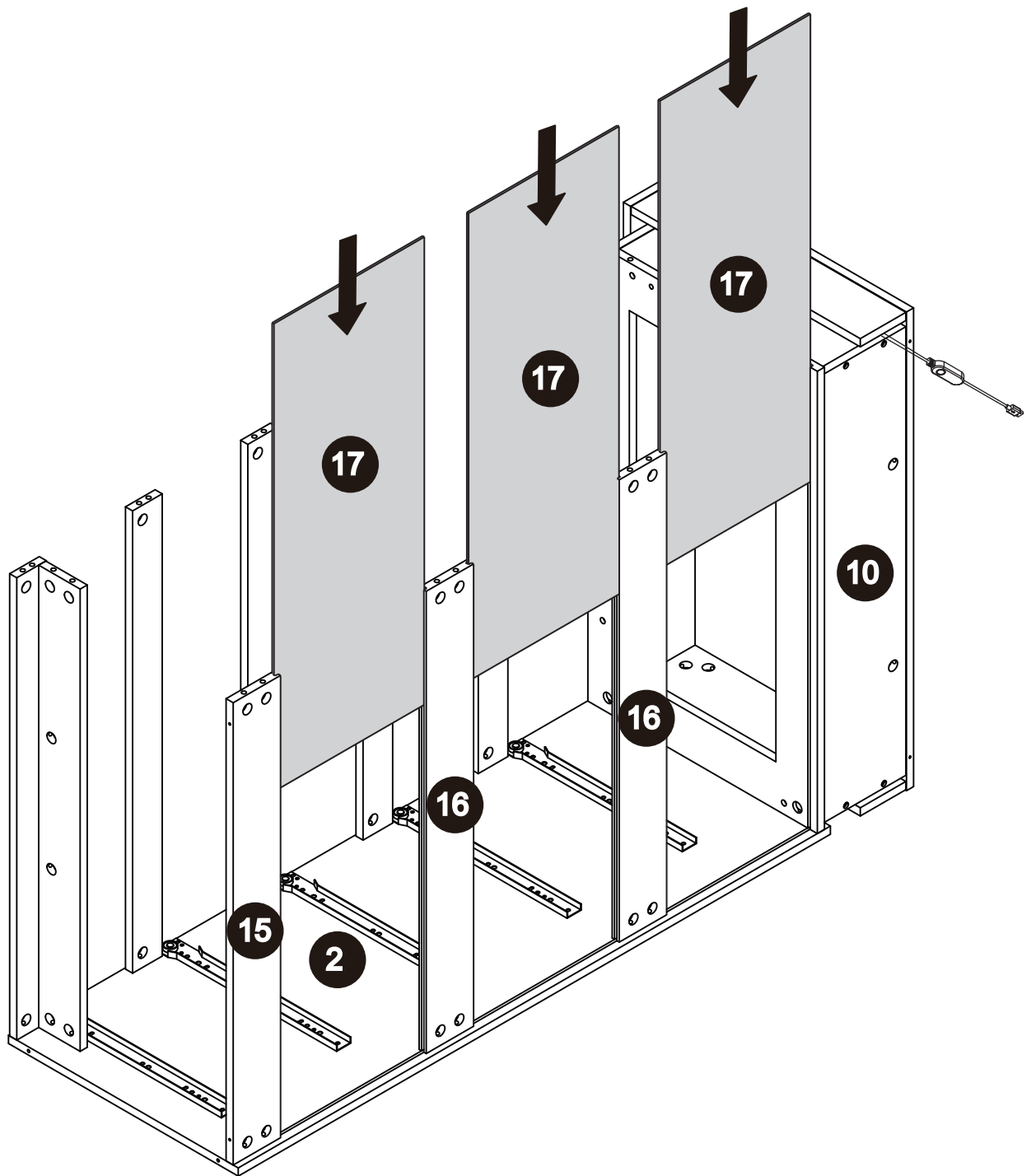
B	x2
	

C	x2
	



Please be careful not to pull on the lamp belt to avoid damage





20

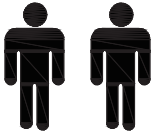


Please take two people to complete this step

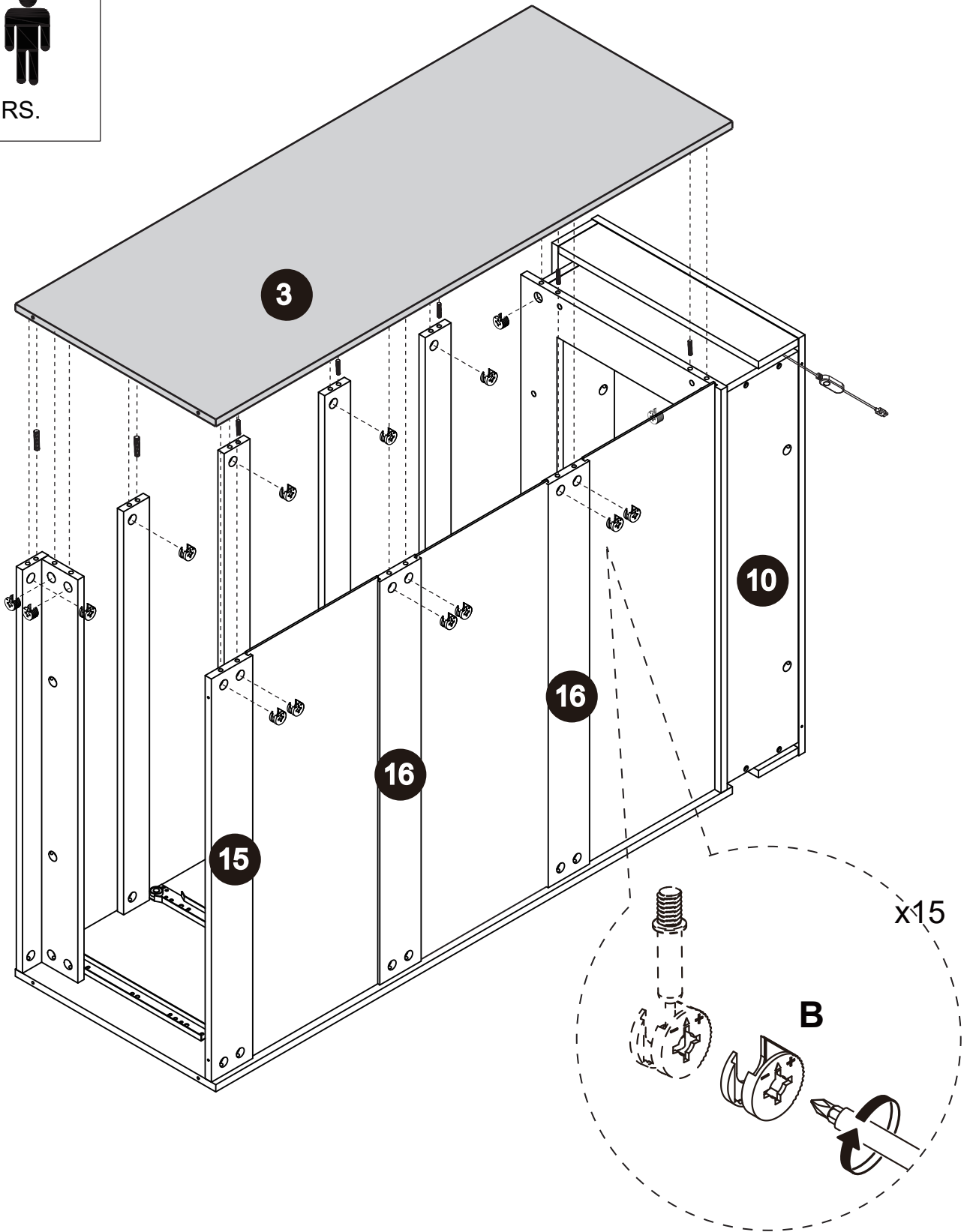
B x15




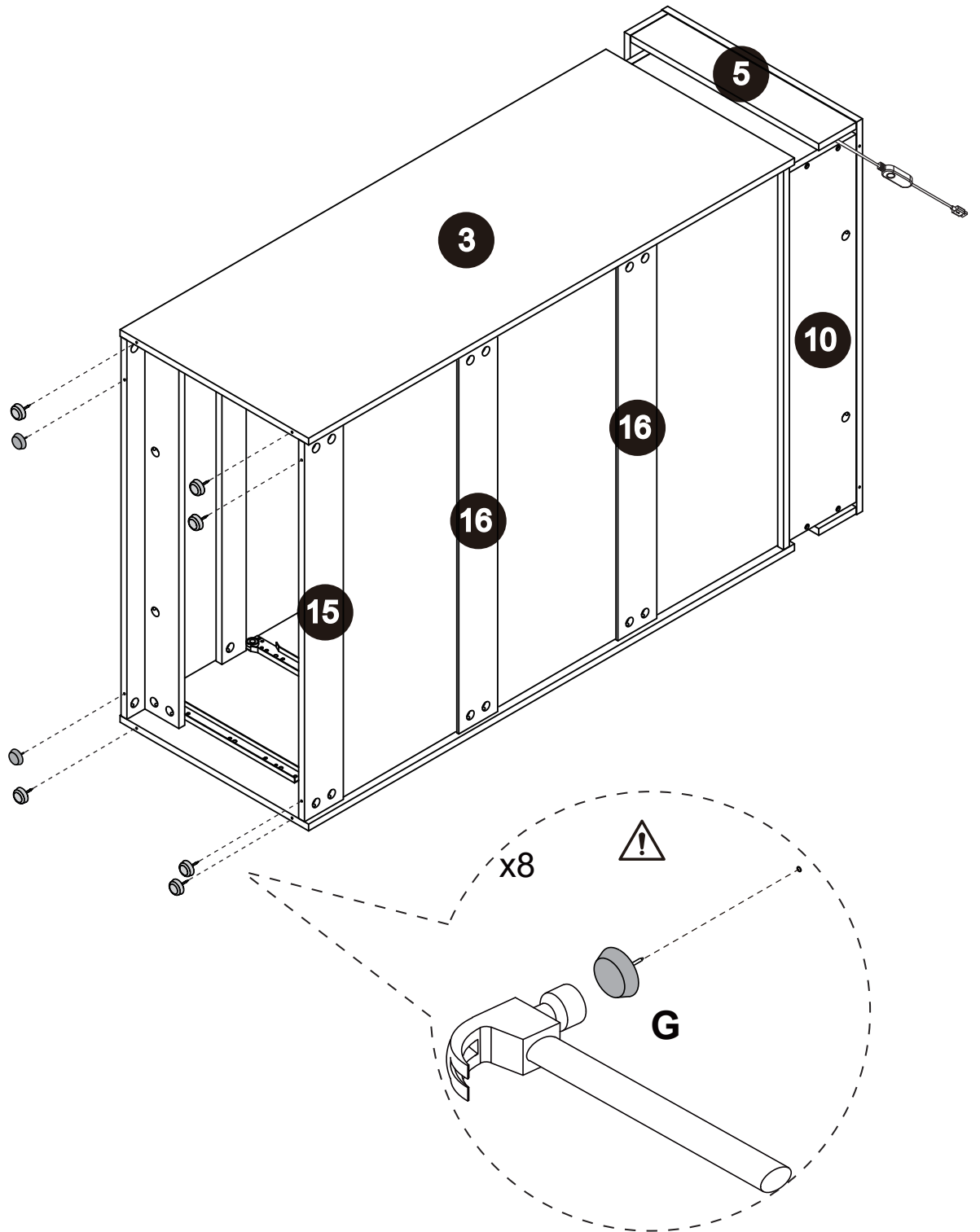
C x7

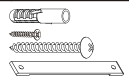


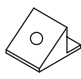
2 PERS.




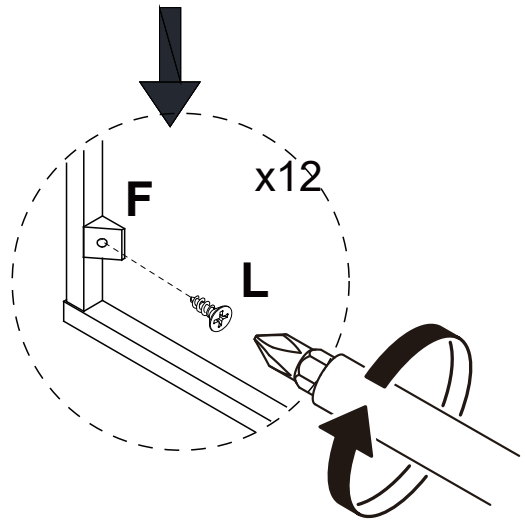
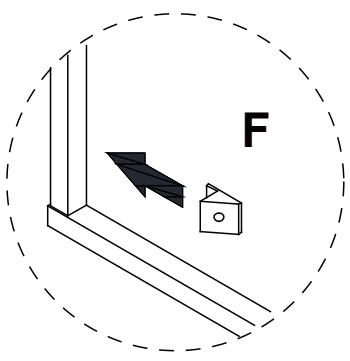
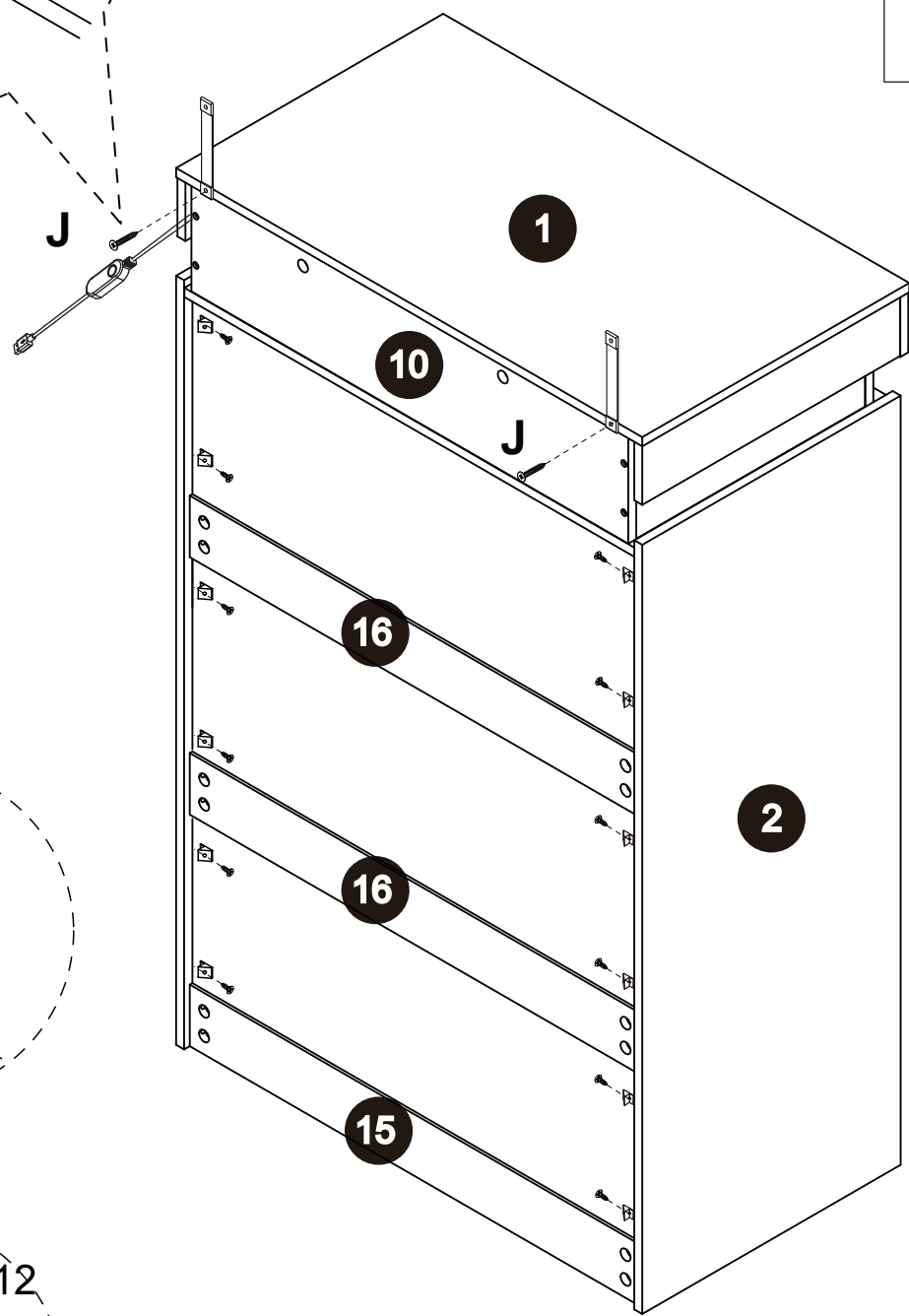
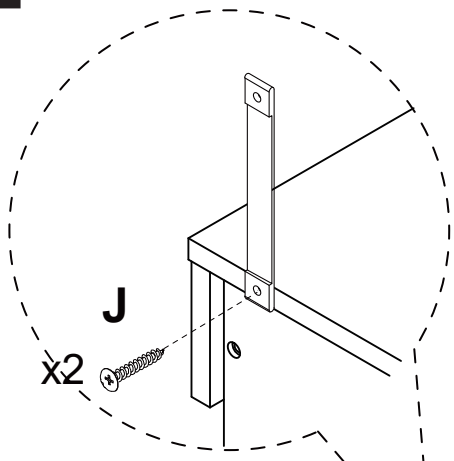
G	x8
	



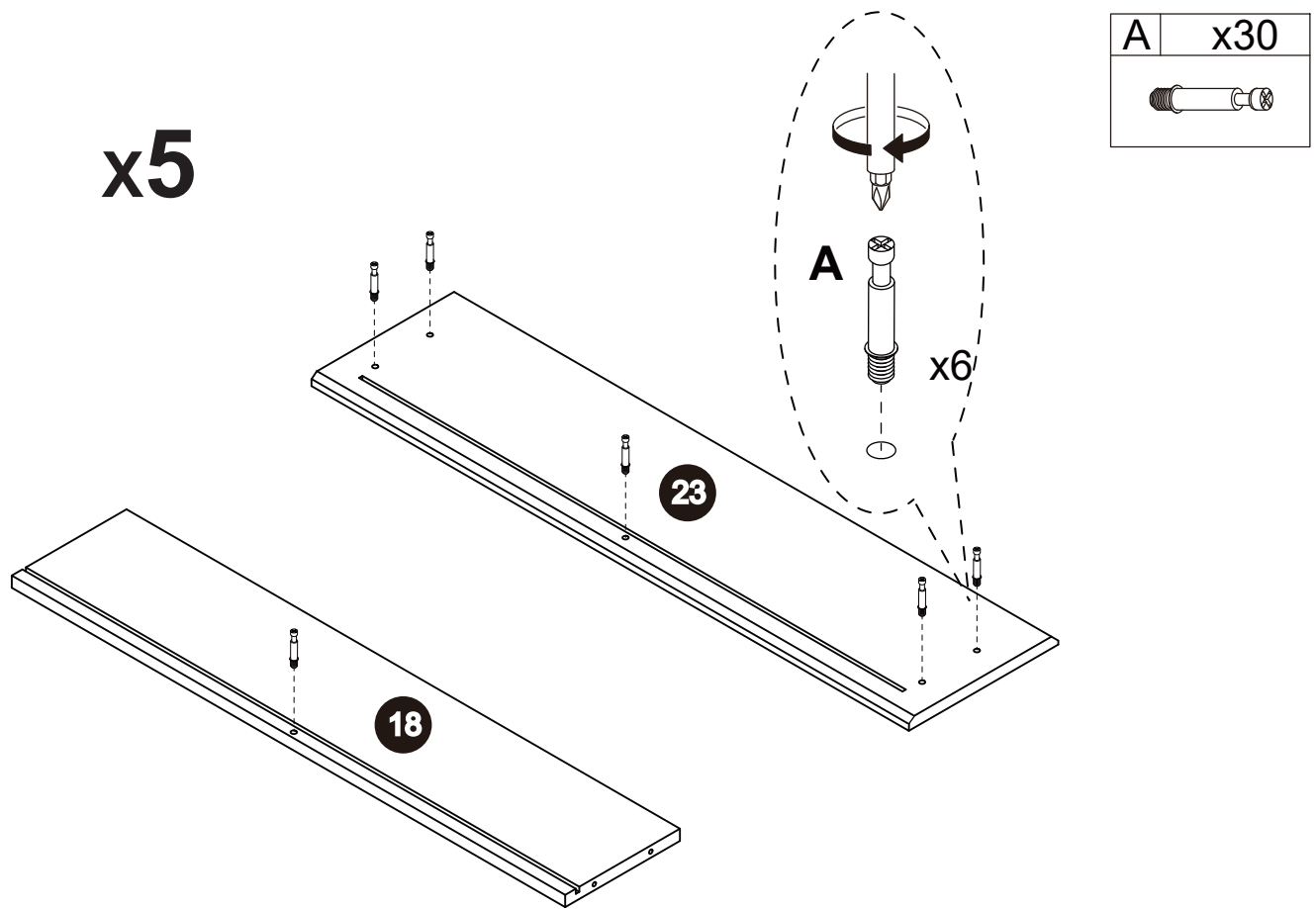
J	x2
	

F	x12
	

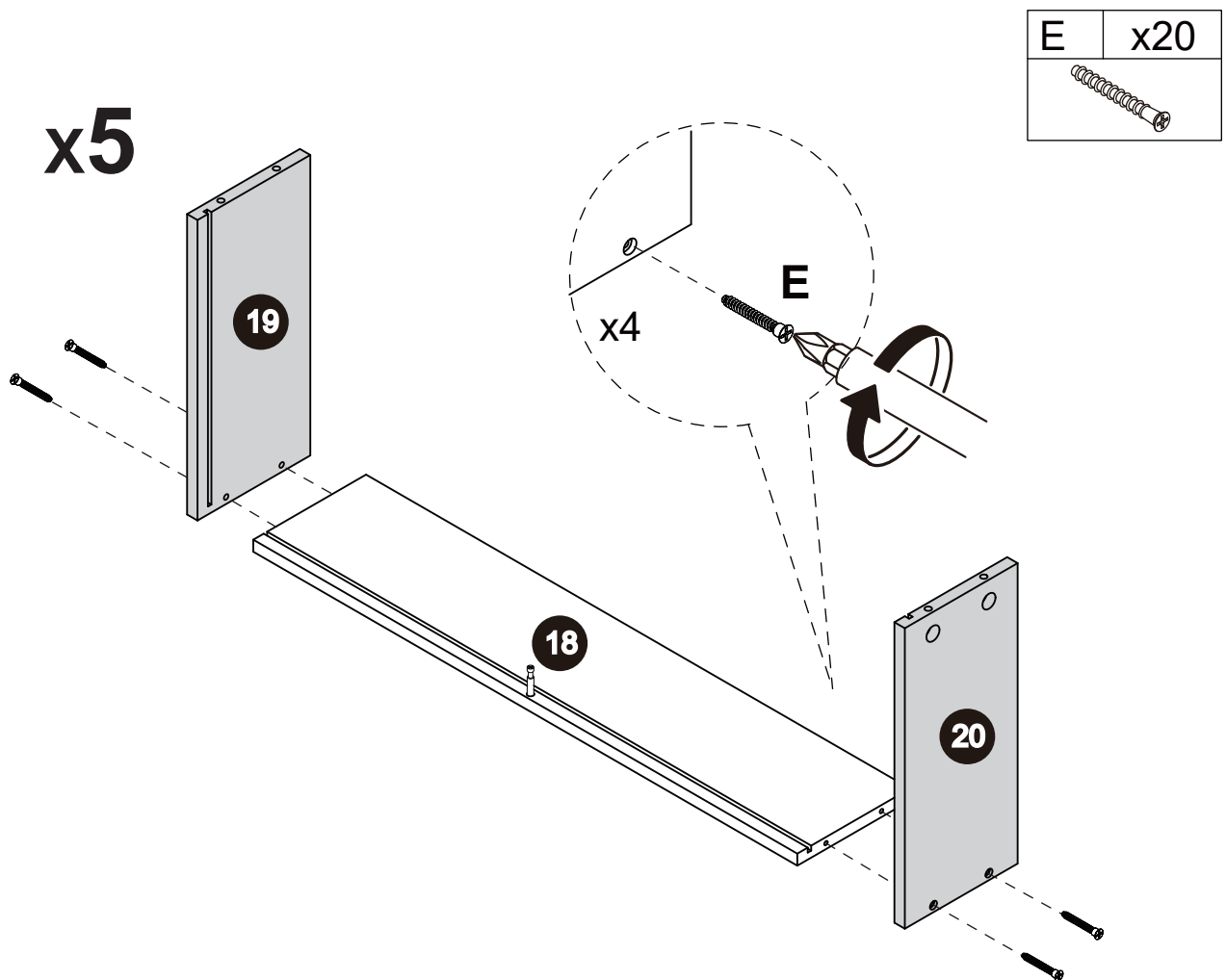
L	x12
	




23



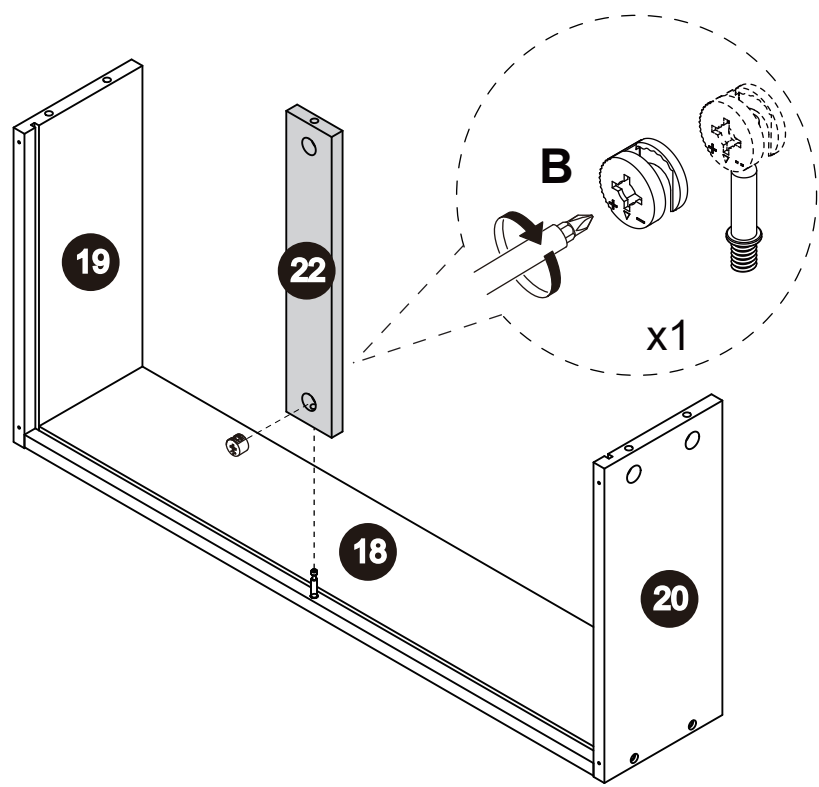
24



25

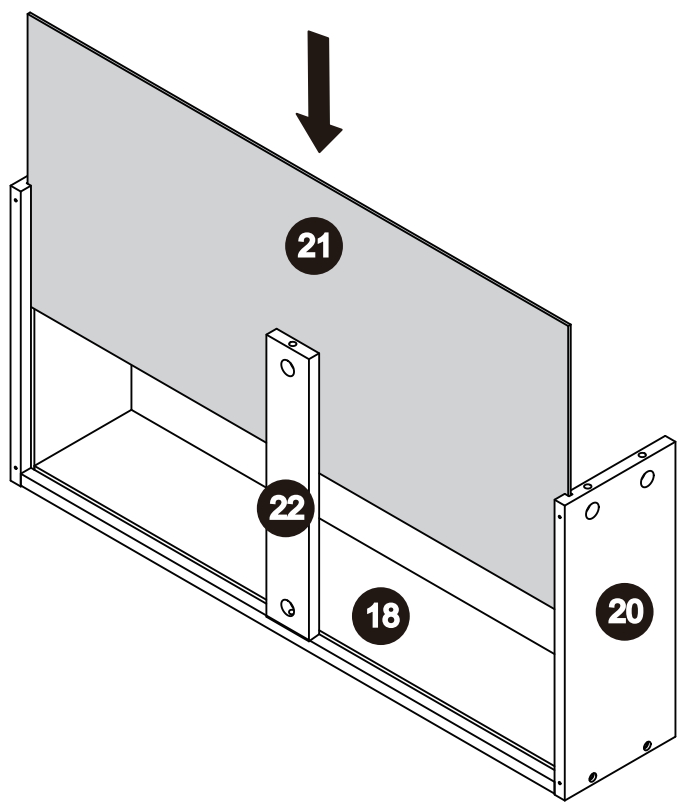
B	x5
	

x5



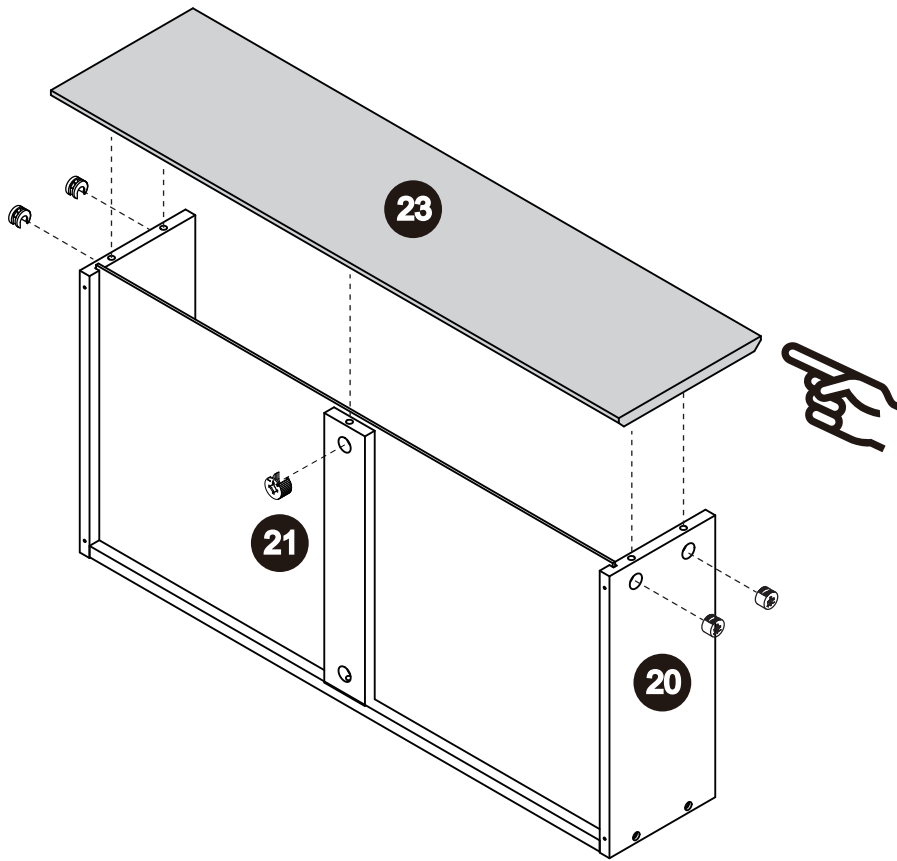
26

x5



27

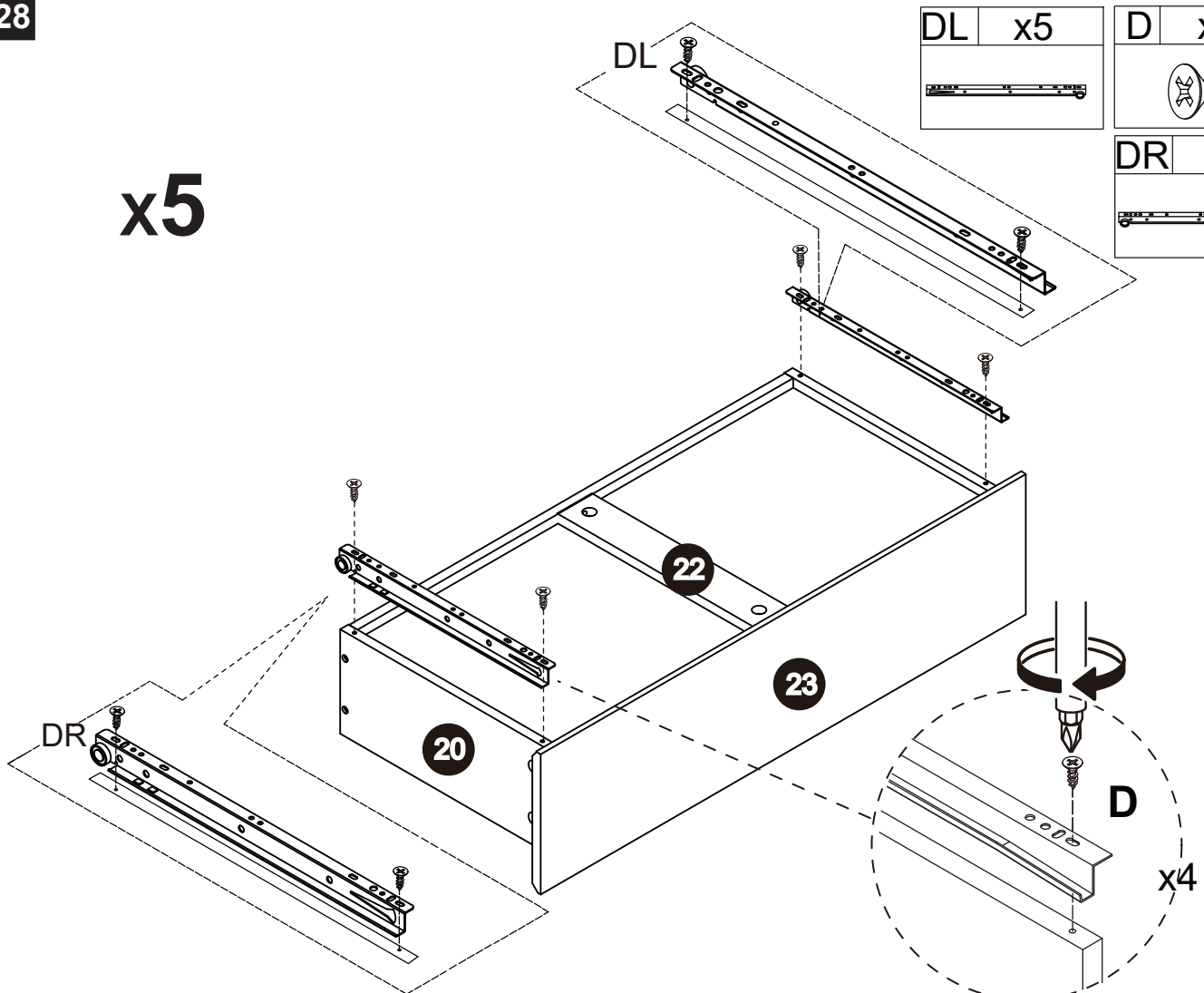
x5



B	x25

28

x5

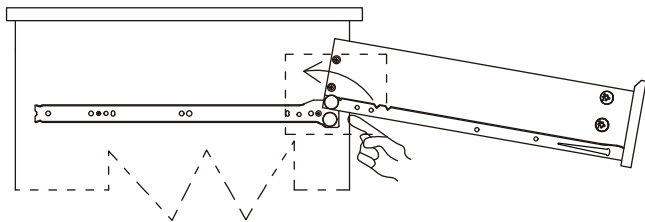


DL	x5

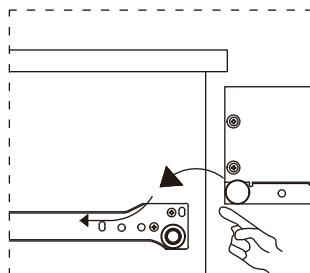
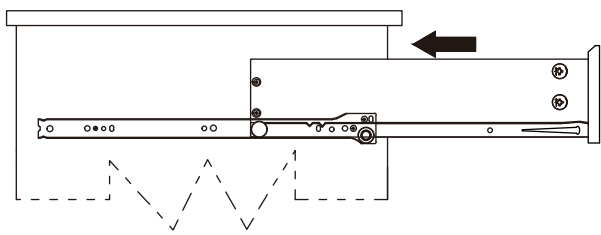
D	x20

DR	x5

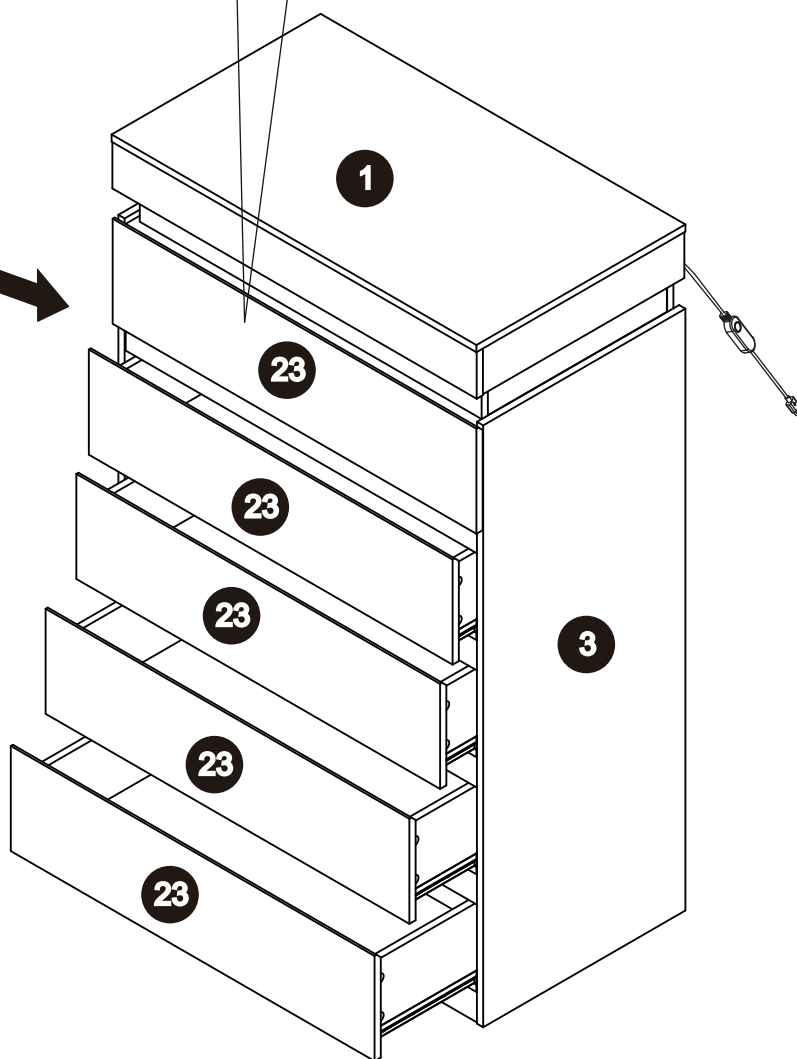
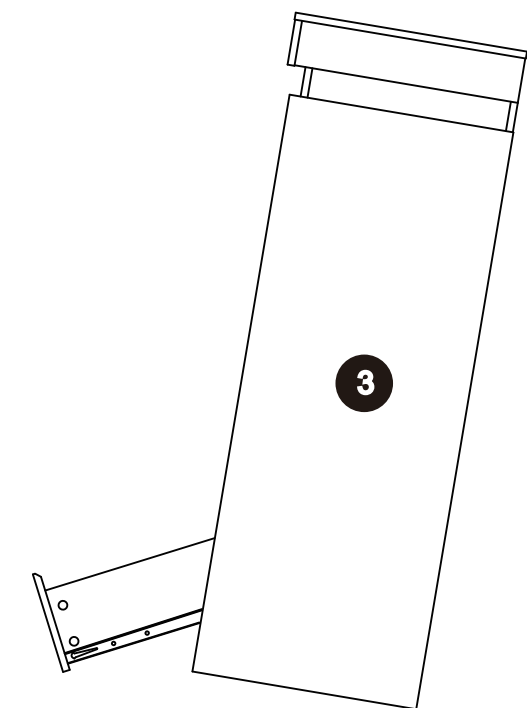
(1)



(2)



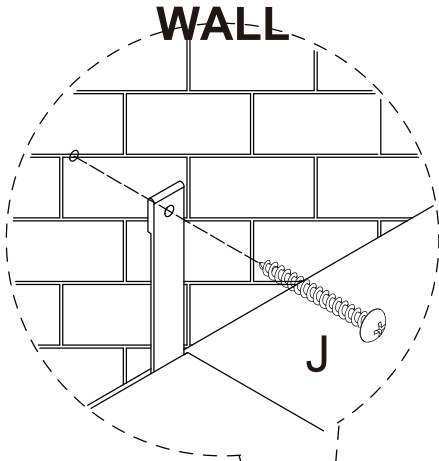
x5



Note: ↑

When installing the bottom drawer, tilt the cabinet slightly to make it easier to install
The bottom drawer is installed first

J	x2



WALL

J

WALL

