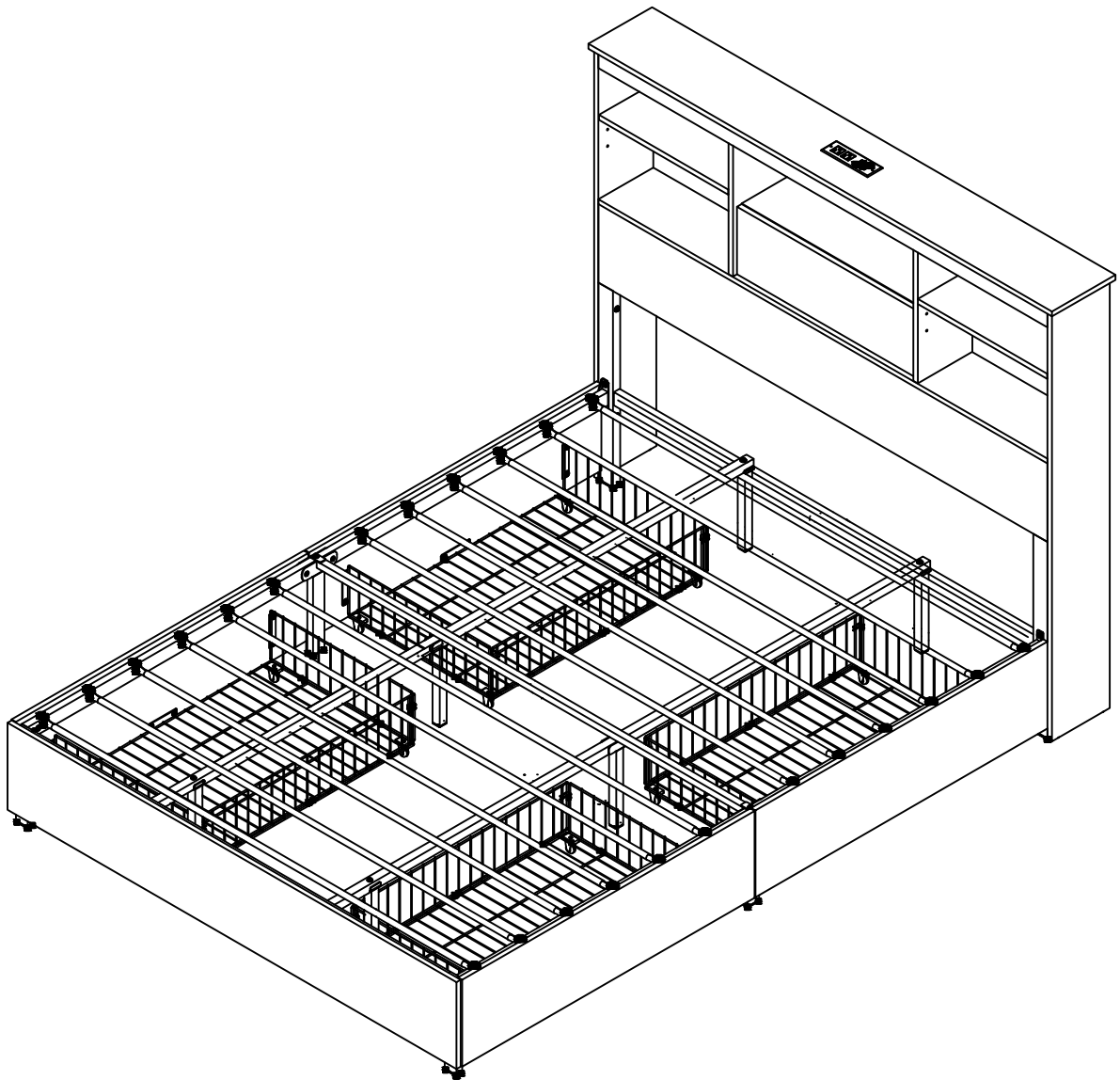


ASSEMBLY INSTRUCTIONS

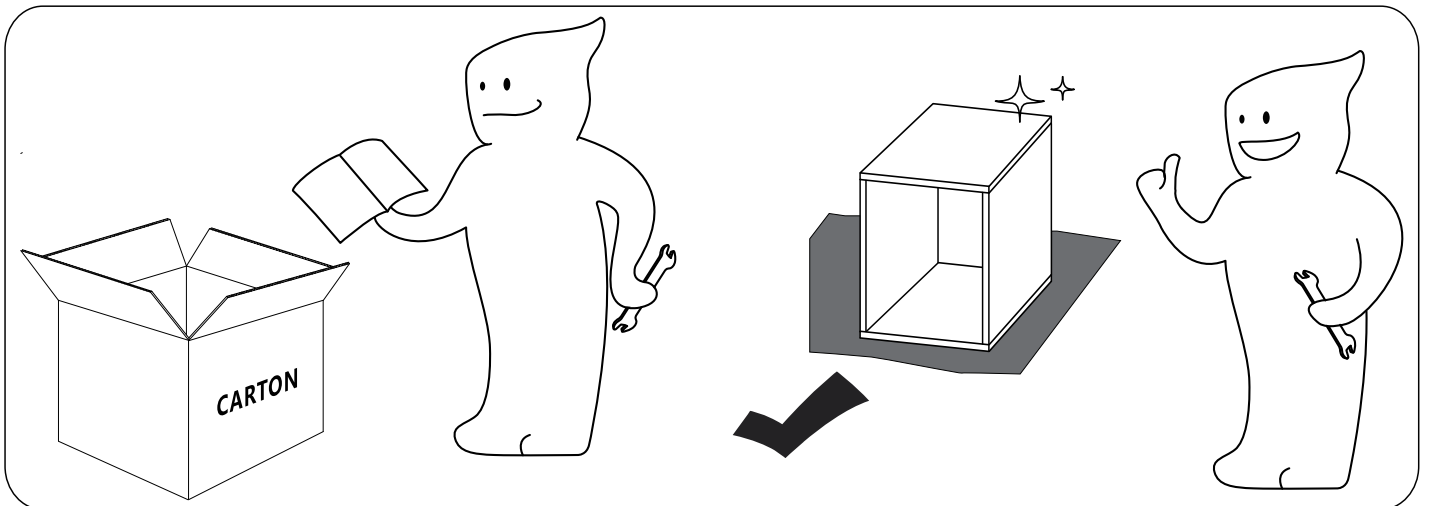
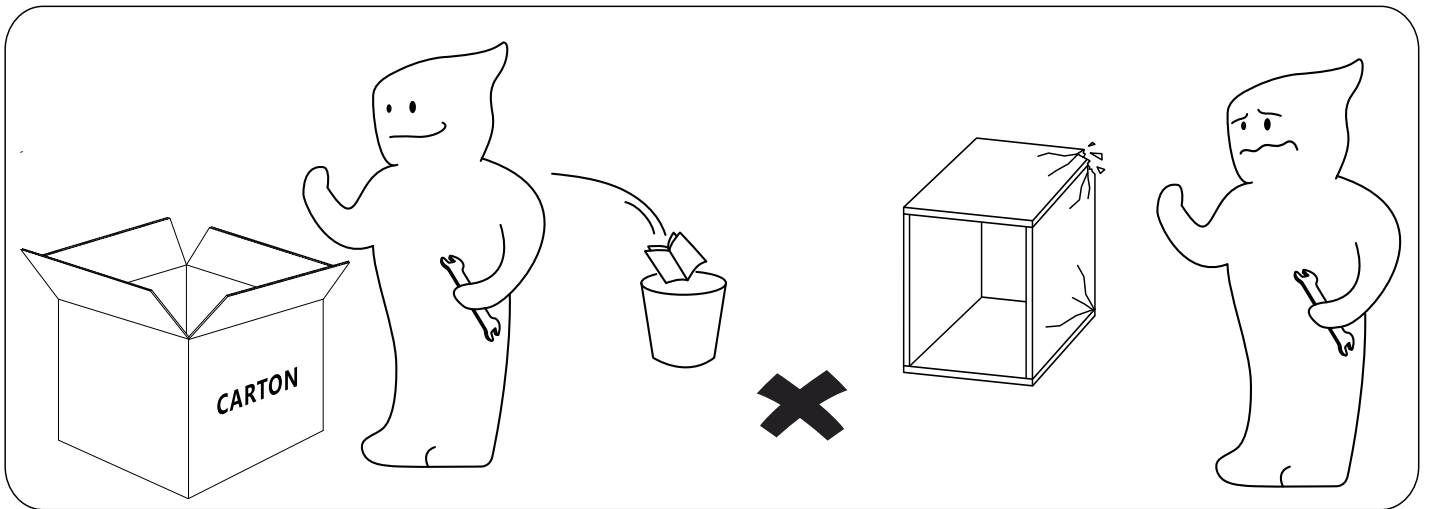
Storage Platform Bed Asselmbly Instructions



Dear Customers,
Thank you for purchasing our product. Please read this instruction manual carefully after receiving this product. It will help you assemble this product quickly, safely and correctly. You can keep this manual for future reference.
MADE IN CHINA

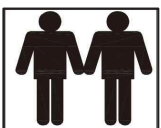
! IMPORTANT

Please follow the instruction manuals and use a pad to protect the product during your assembly.



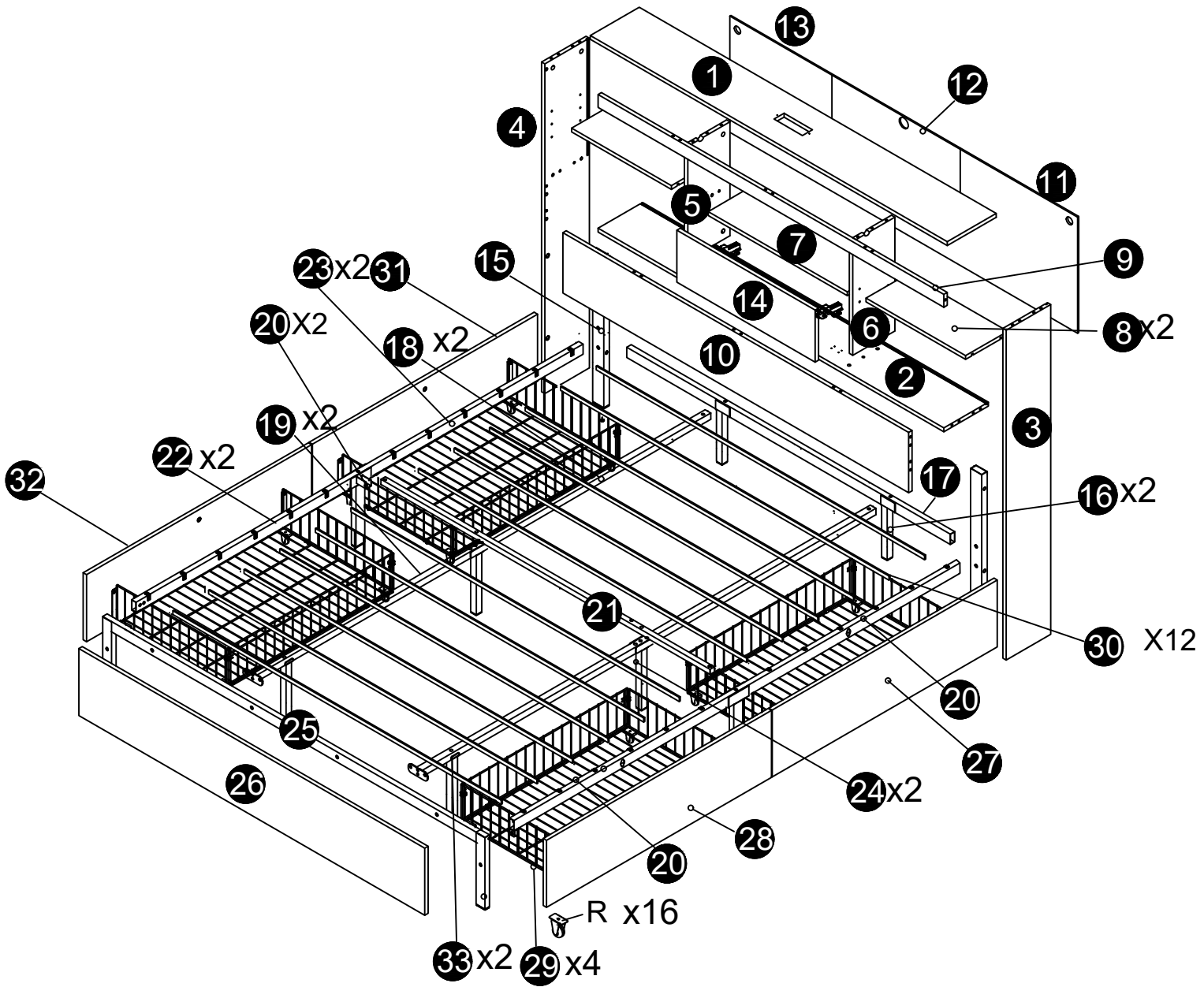
Note:

1. Should be assembled on flat ground to keep balance.
2. Before completing the installation, do not tighten the screws.



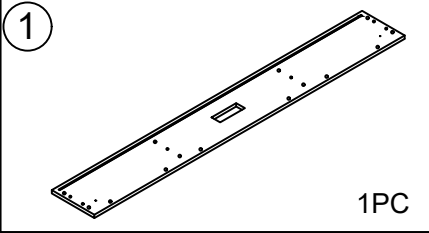
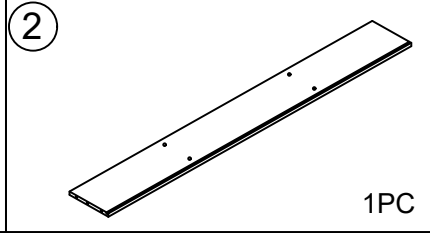
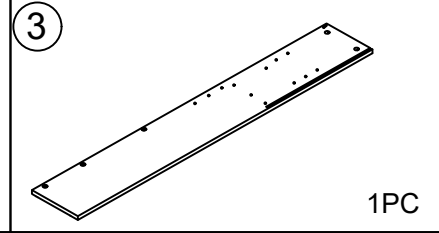
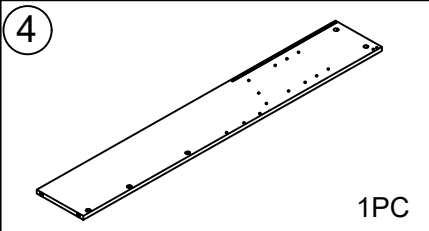
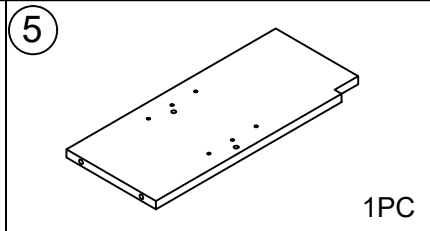
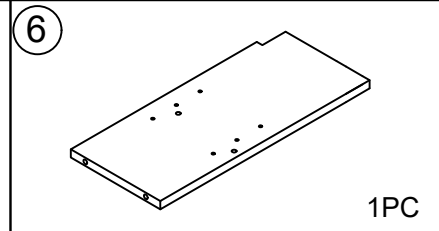
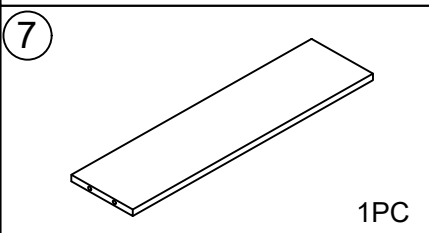
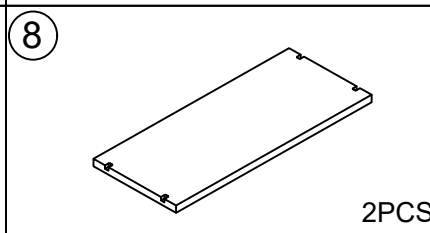
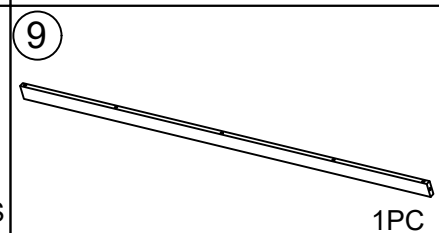
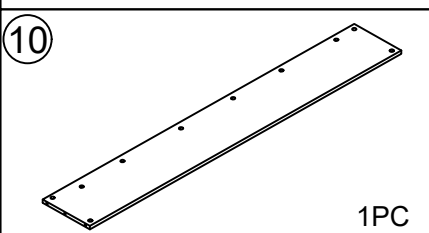
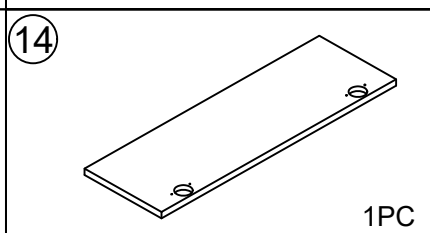
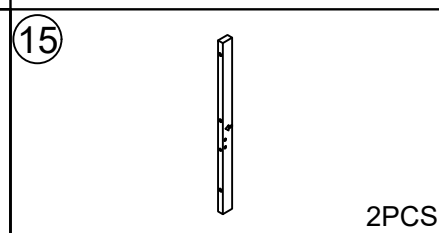
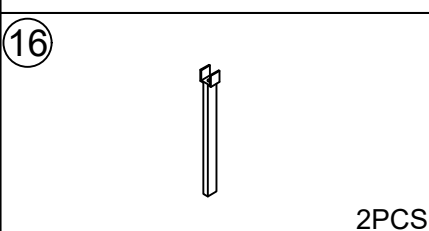
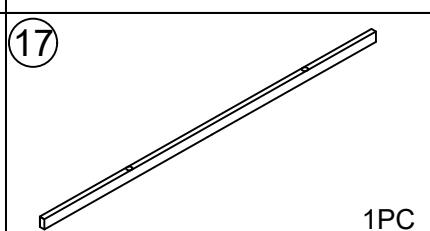
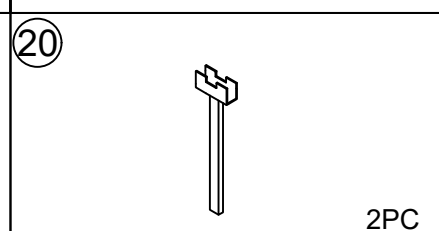
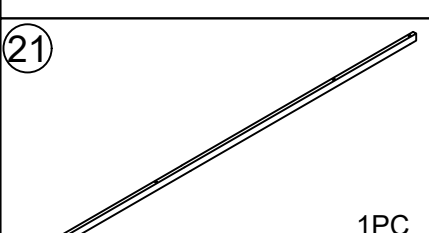
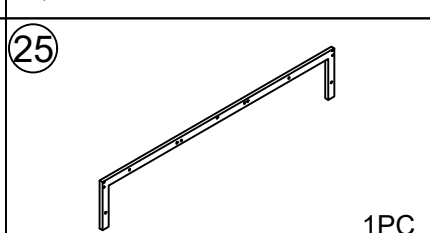
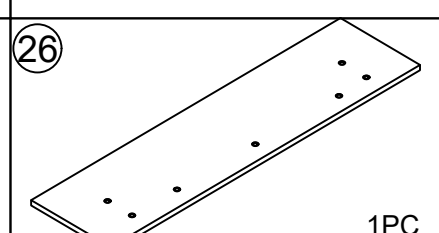
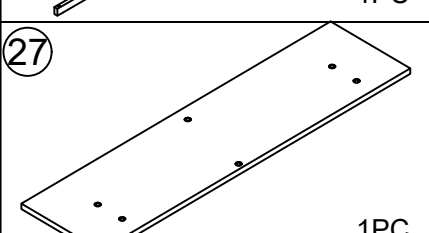
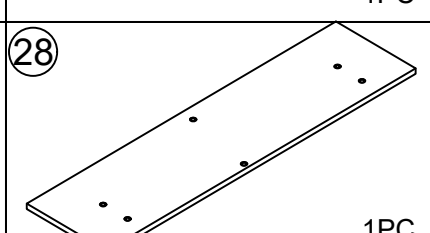
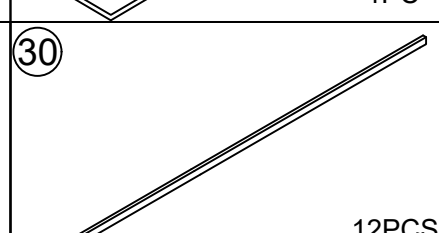
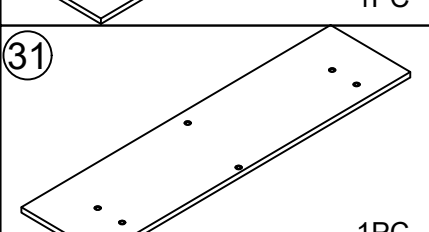
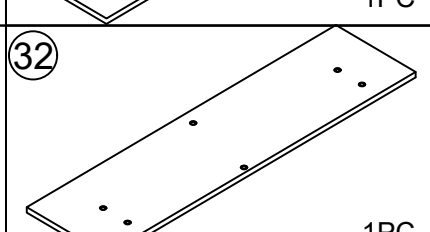
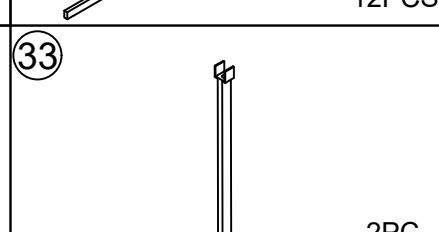
For easier and better assembly, **2** or more adults are required.

ASSEMBLY INSTRUCTIONS



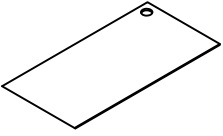
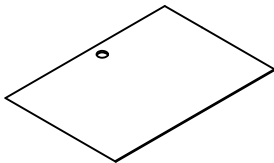
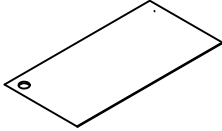
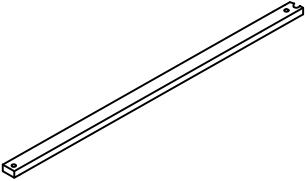
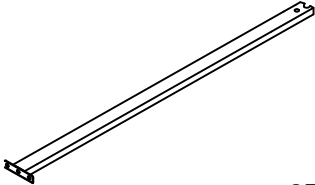
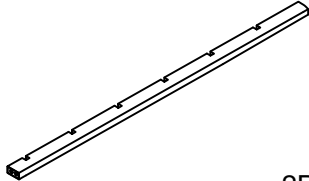
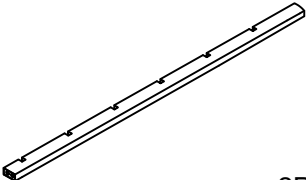
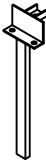
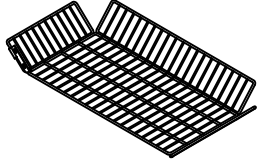
ASSEMBLY INSTRUCTIONS

The box 1

 <p>1 1PC</p>	 <p>2 1PC</p>	 <p>3 1PC</p>
 <p>4 1PC</p>	 <p>5 1PC</p>	 <p>6 1PC</p>
 <p>7 1PC</p>	 <p>8 2PCS</p>	 <p>9 1PC</p>
 <p>10 1PC</p>	 <p>14 1PC</p>	 <p>15 2PCS</p>
 <p>16 2PCS</p>	 <p>17 1PC</p>	 <p>20 2PC</p>
 <p>21 1PC</p>	 <p>25 1PC</p>	 <p>26 1PC</p>
 <p>27 1PC</p>	 <p>28 1PC</p>	 <p>30 12PCS</p>
 <p>31 1PC</p>	 <p>32 1PC</p>	 <p>33 2PC</p>





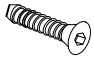















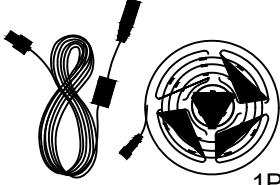




ASSEMBLY INSTRUCTIONS

The box 2

<p>①①</p>  <p>1PC</p>	<p>①②</p>  <p>1PC</p>	<p>①③</p>  <p>1PC</p>
<p>①⑧</p>  <p>2PCS</p>	<p>①⑨</p>  <p>2PCS</p>	<p>②②</p>  <p>2PCS</p>
<p>②③</p>  <p>2PCS</p>	<p>②④</p>  <p>2PCS</p>	<p>②⑨</p>  <p>4PCS</p>

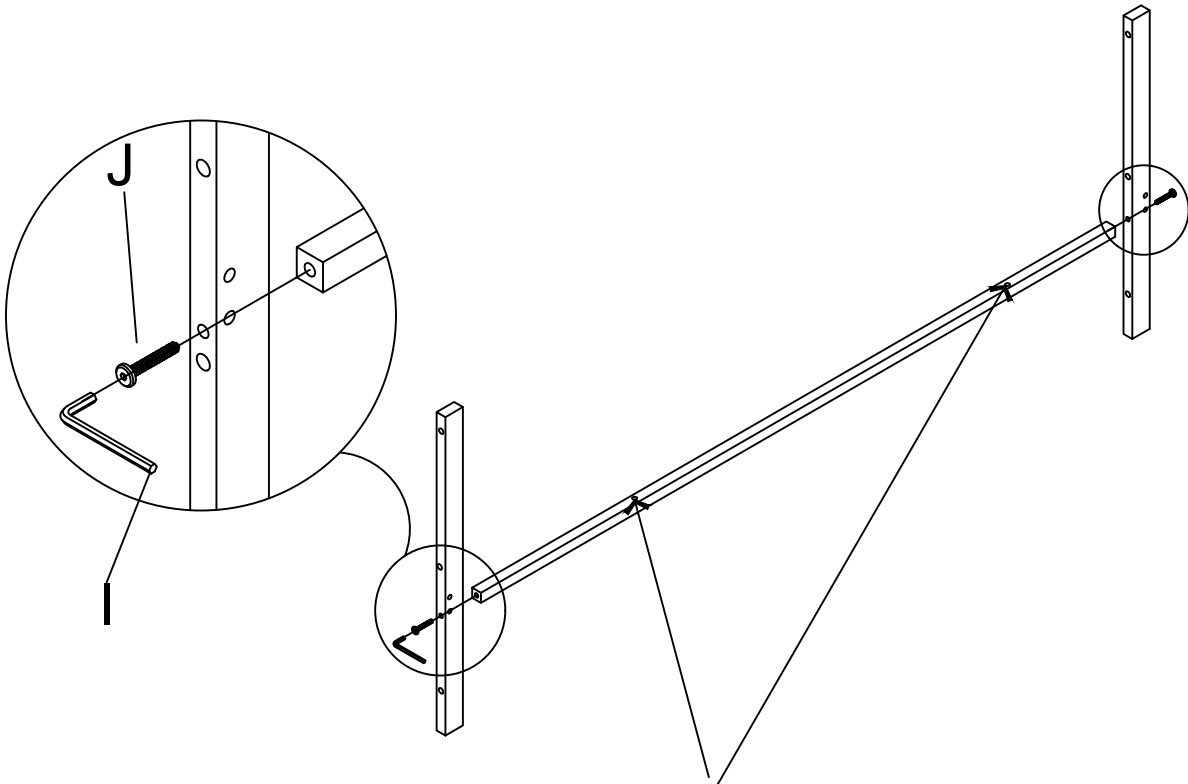
ASSEMBLY INSTRUCTIONS

The box 2 continued

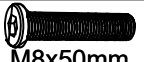
<p>A</p>  <p>$\phi 7*40$</p> <p>30PCS</p>	<p>B</p>  <p>$\phi 6*30$</p> <p>10PCS</p>	<p>C</p>  <p>$\phi 5*17$</p> <p>8PCS</p>
<p>D</p>  <p>D=35</p> <p>2PCS</p>	<p>E</p>  <p>M5*40</p> <p>8PCS</p>	<p>F</p>  <p>M3</p> <p>1PC</p>
<p>G</p>  <p>M3.5 *12</p> <p>16PCS</p>	<p>H</p>  <p>M4</p> <p>1PC</p>	<p>I</p>  <p>M5</p> <p>1PC</p>
<p>J</p>  <p>M8*50</p> <p>12PCS</p>	<p>K</p>  <p>M8*35</p> <p>14PCS</p>	<p>L</p>  <p>M8*60</p> <p>4PCS</p>
<p>M</p>  <p>M8*30</p> <p>7PCS</p>	<p>N</p>  <p>M6*15</p> <p>4PCS</p>	<p>O</p>  <p>M8*15</p> <p>20PCS</p>
<p>P</p>  <p>M8</p> <p>9PCS</p>	<p>Q</p>  <p>4PCS</p>	<p>R</p>  <p>16PCS</p>
<p>S</p>  <p>1PC</p>	<p>T</p>  <p>8PCS</p>	<p>U</p>  <p>1PC</p>
<p>V</p>  <p>2PCS</p>	<p>W</p>  <p>M3.5 *12</p> <p>2PCS</p>	<p>X</p>  <p>M8*12</p> <p>4PCS</p>
<p>Y</p>  <p>30PCS</p>		

ASSEMBLY INSTRUCTIONS

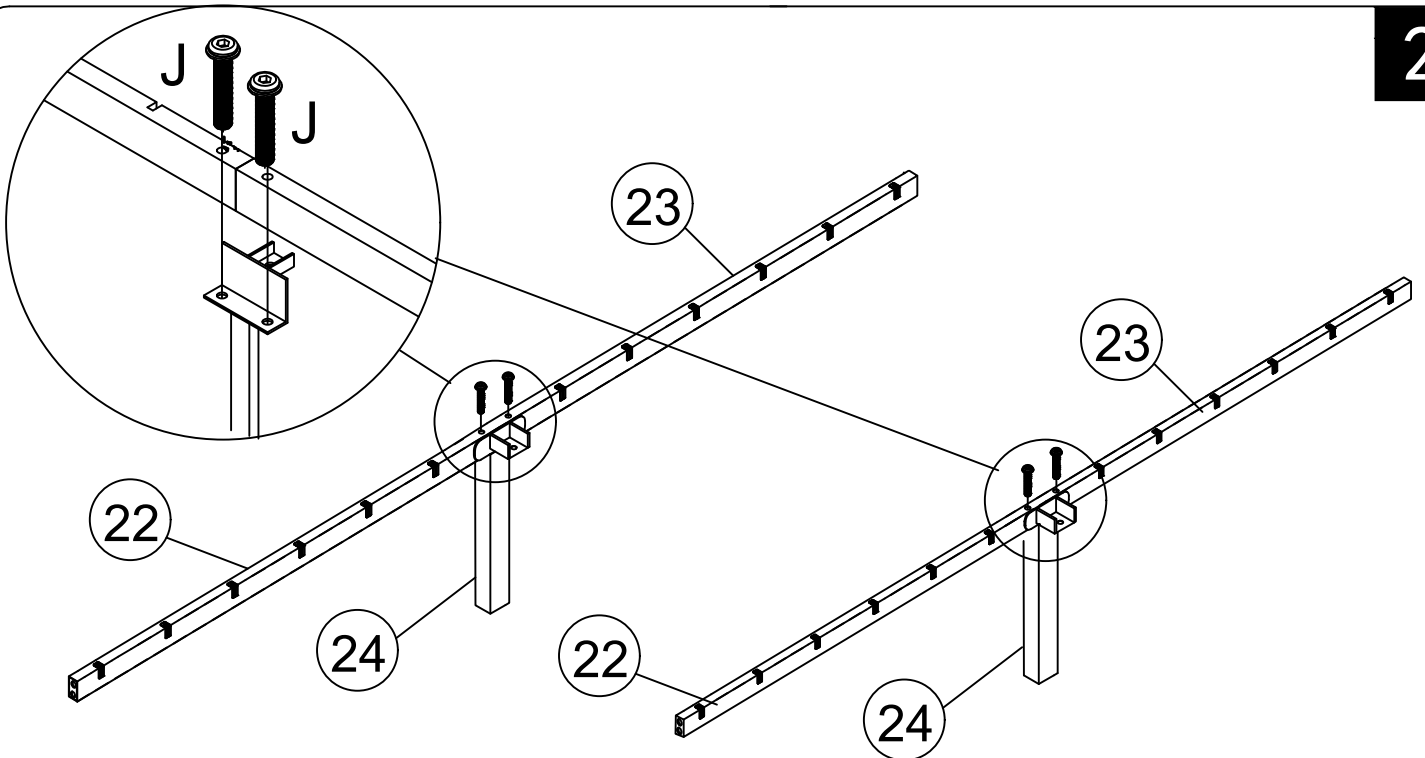
1



Please make the two holes of 17 face up

J		2pcs
	M8x50mm	

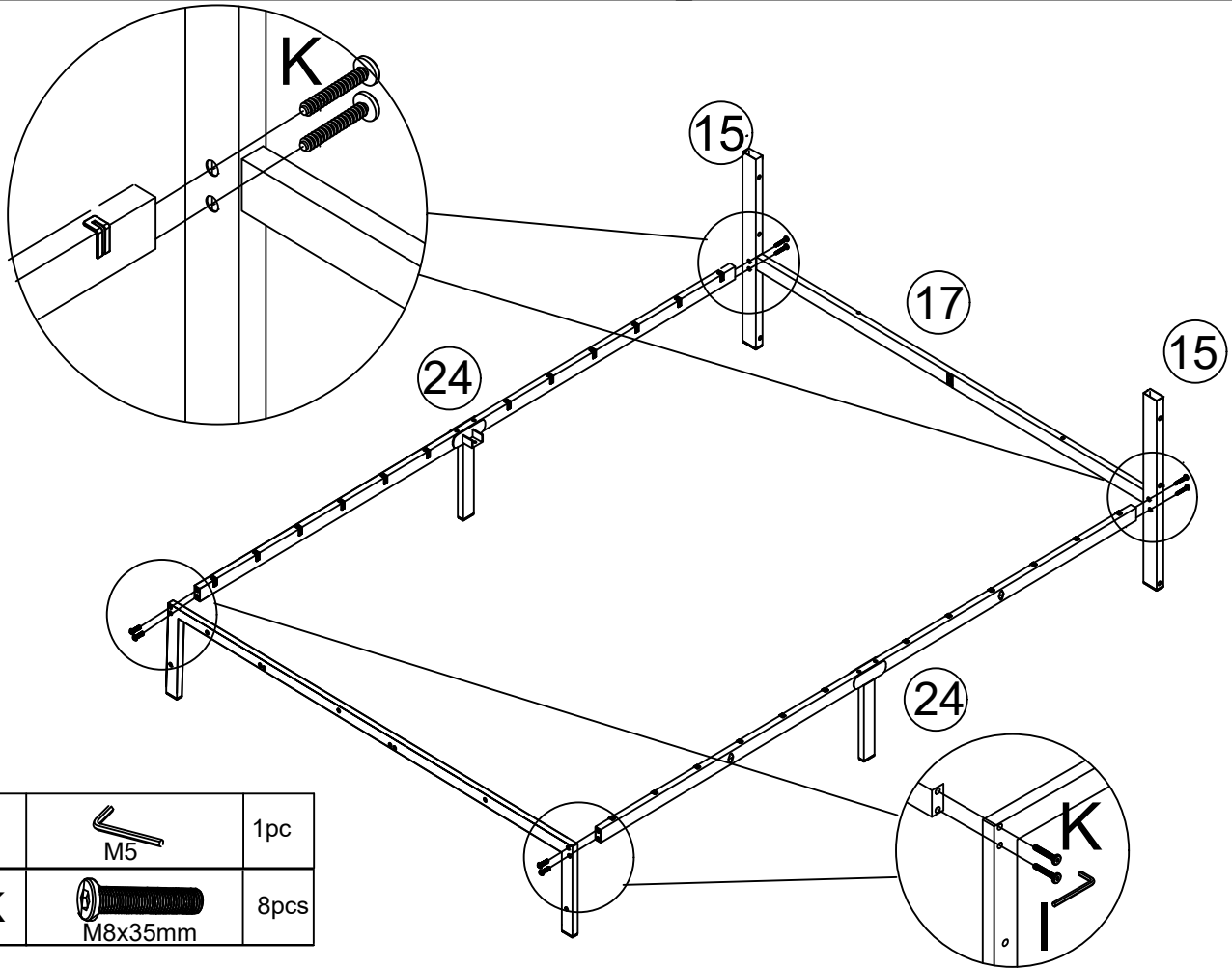
2

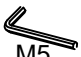



J		4pcs
	M8x50mm	

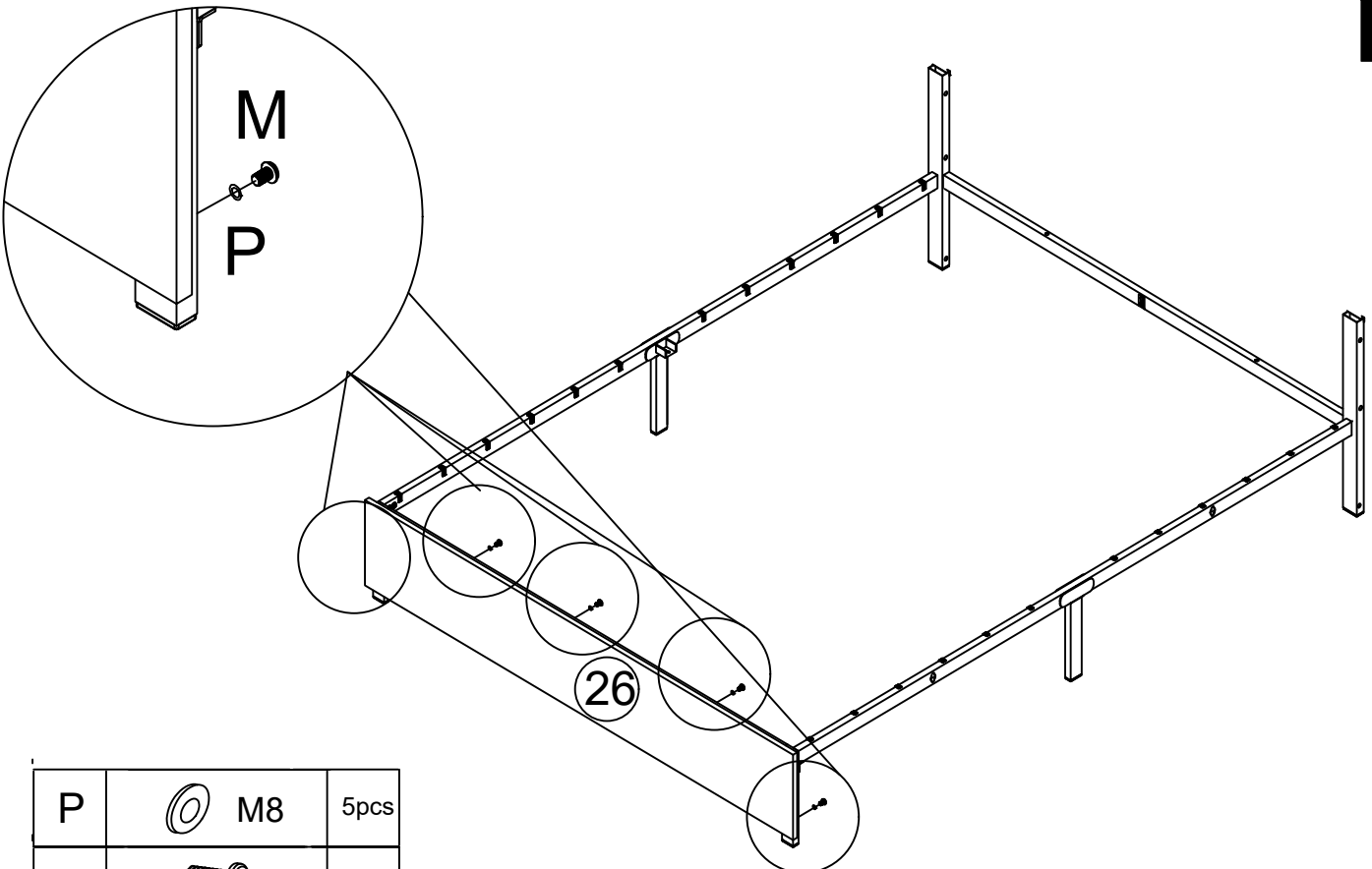
ASSEMBLY INSTRUCTIONS



3



I	 M5	1pc
K	 M8x35mm	8pcs

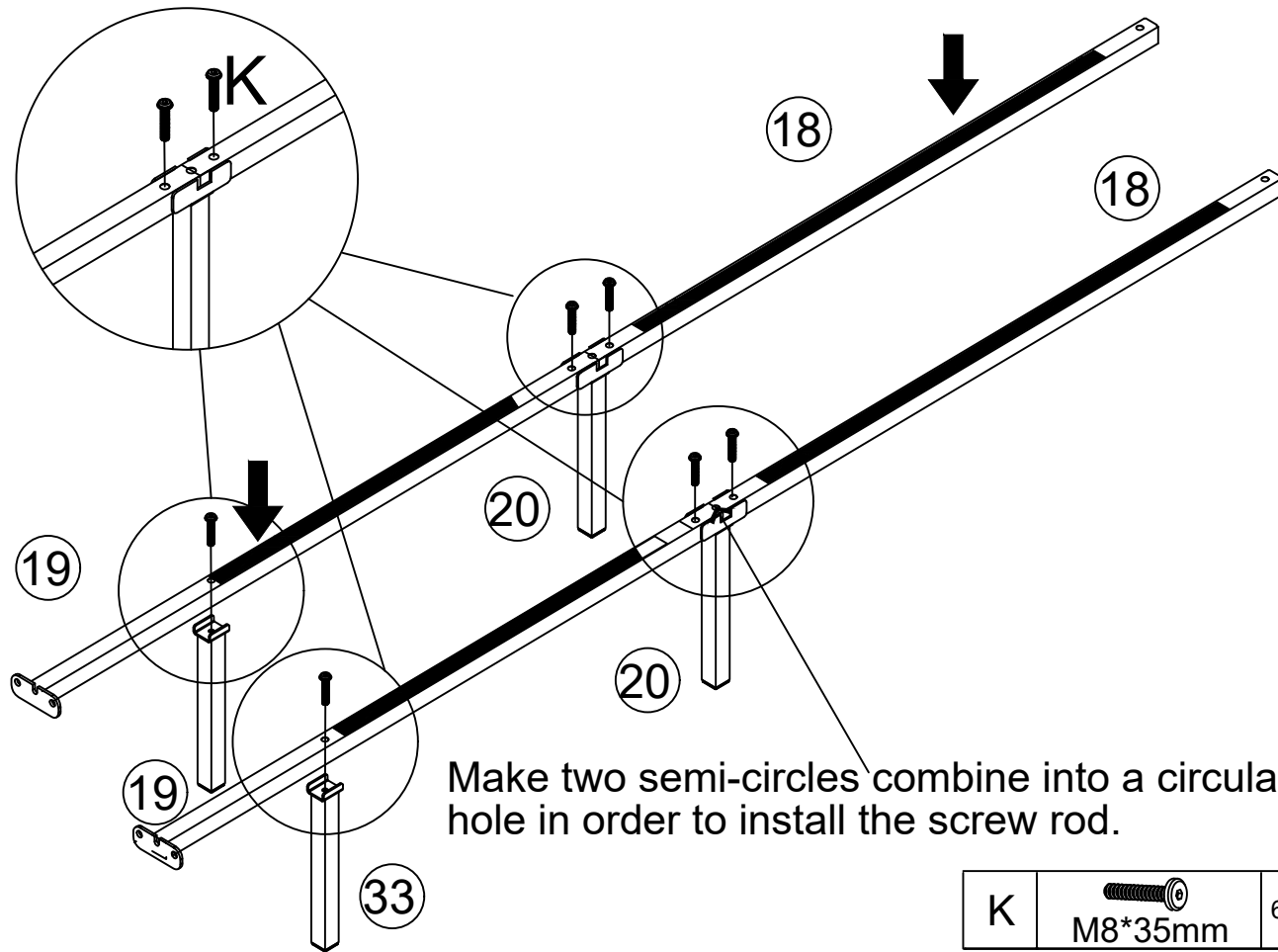
4



P	 M8	5pcs
M	 M8x30mm	5pcs

ASSEMBLY INSTRUCTIONS

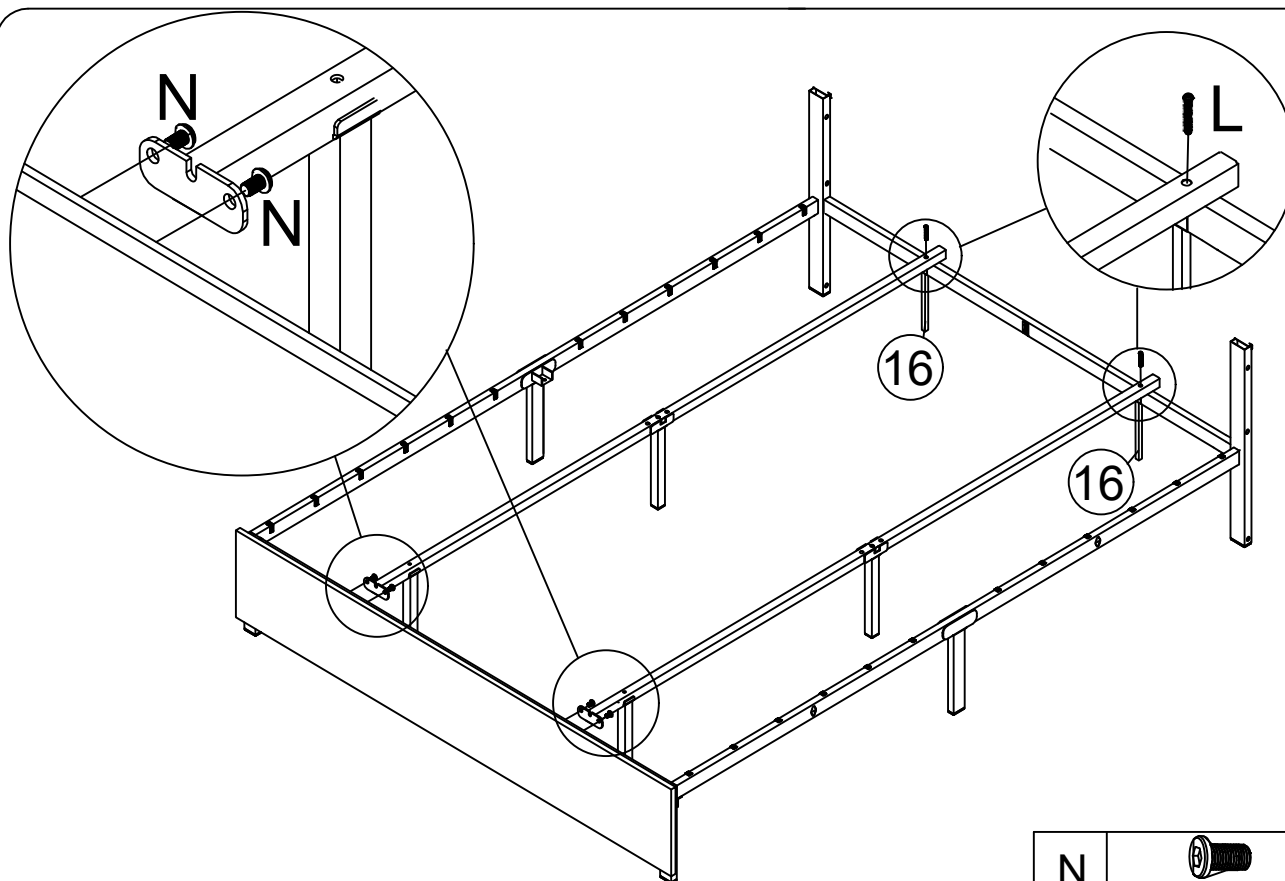
5


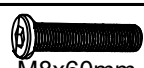


Make two semi-circles combine into a circular hole in order to install the screw rod.

K	 M8*35mm	6 pcs
---	---	-------

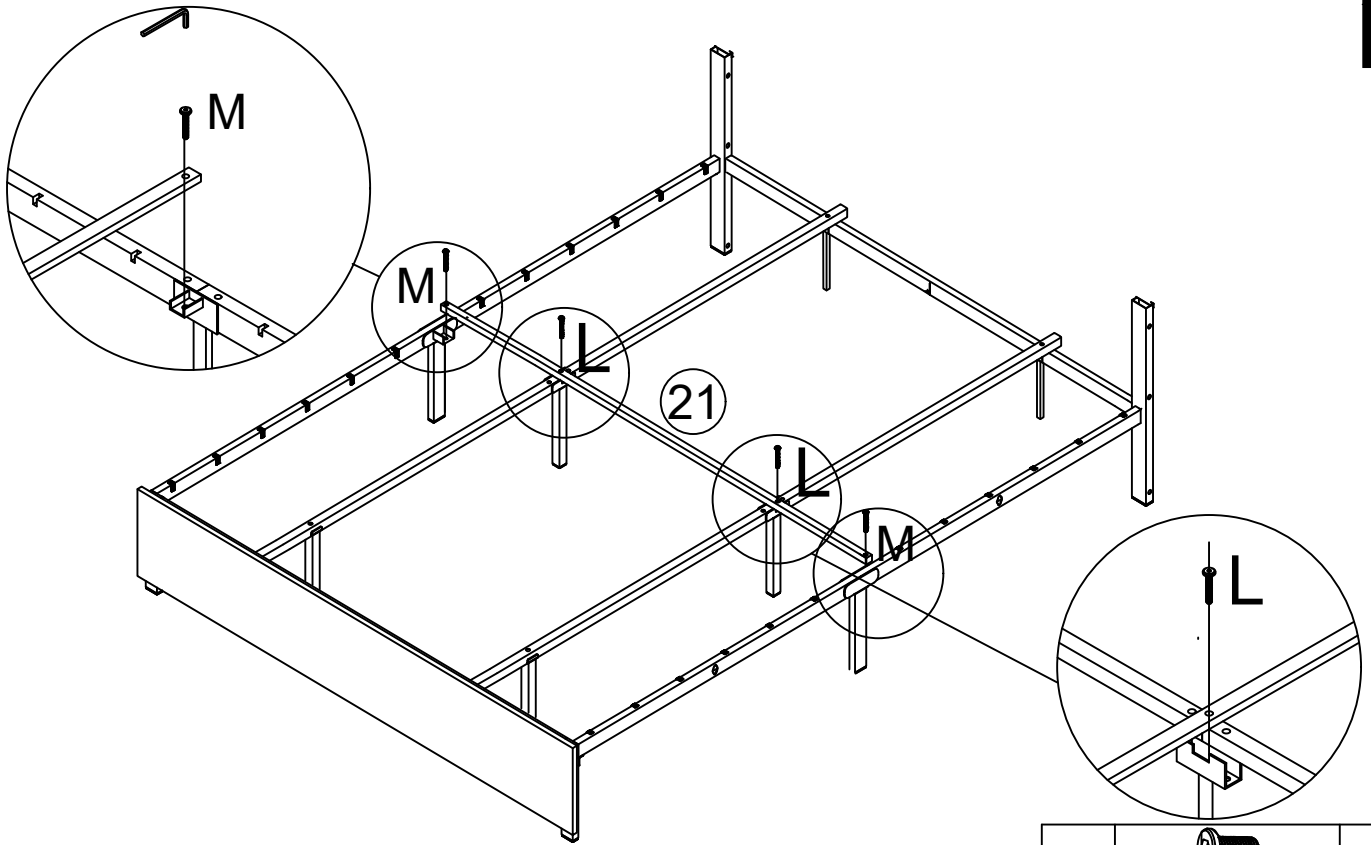
6



N	 M6*15	4 pcs
L	 M8x60mm	2 pcs

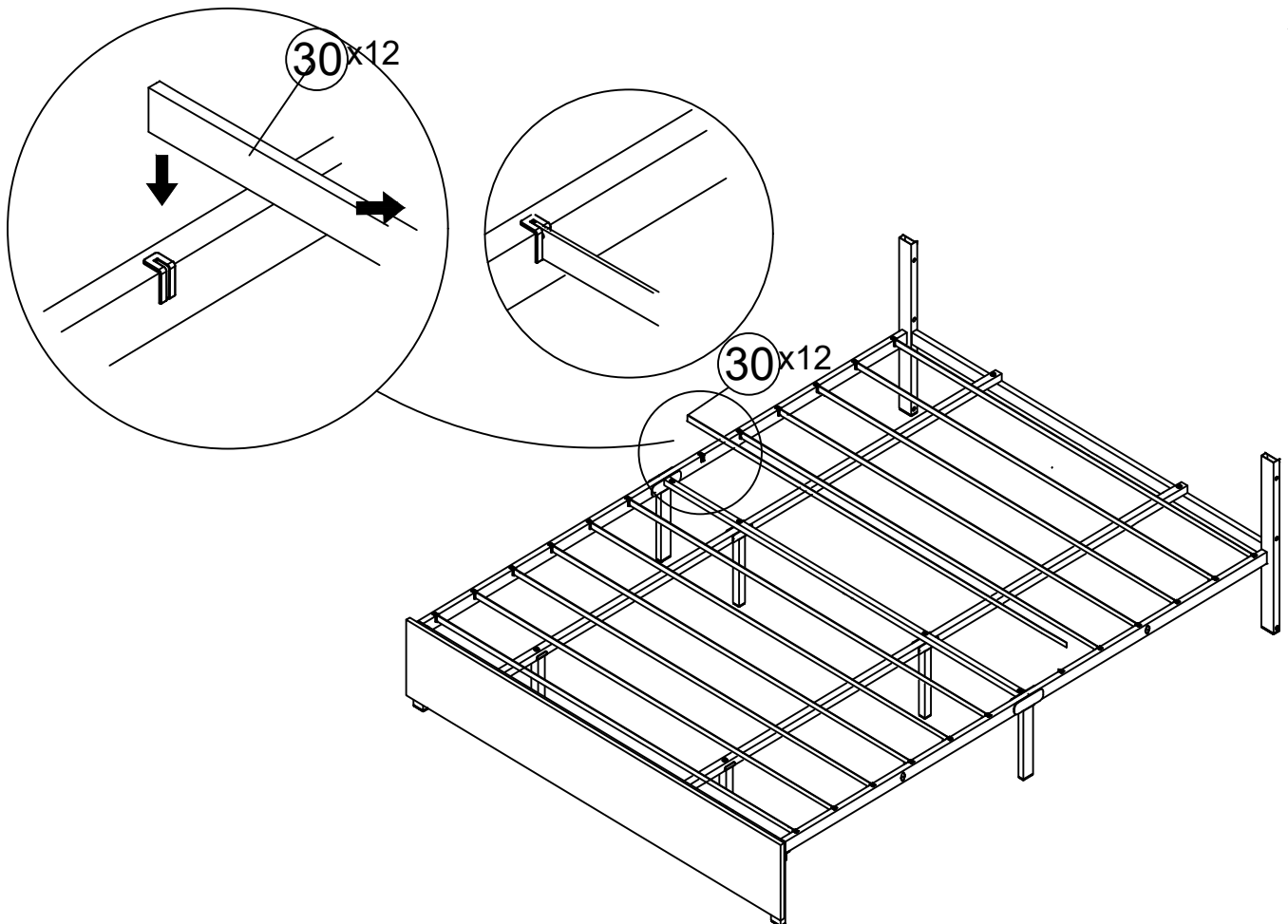
ASSEMBLY INSTRUCTIONS

7



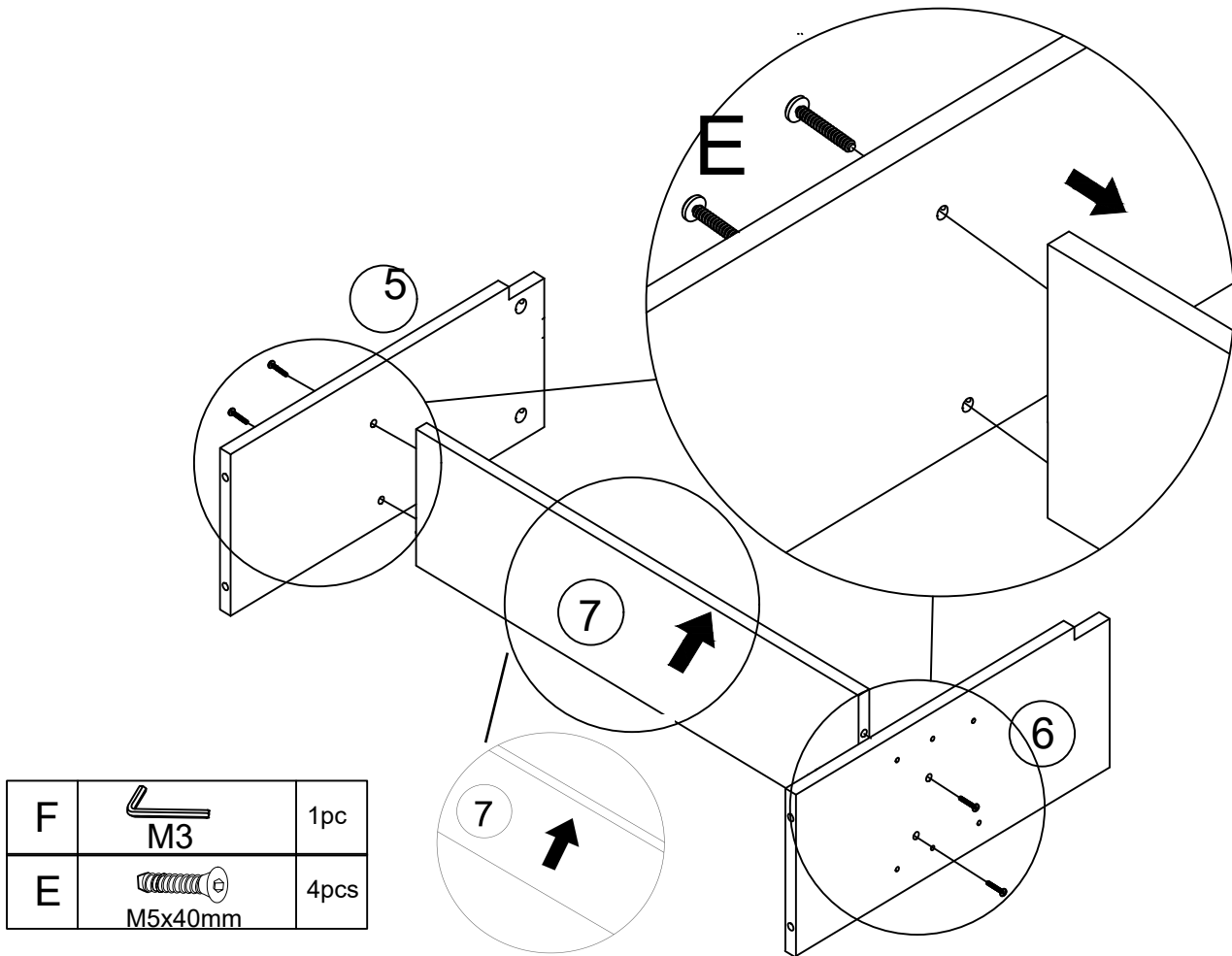
M	 M8*30mm	2pcs
L	 M8x60mm	2pcs

8




ASSEMBLY INSTRUCTIONS

9



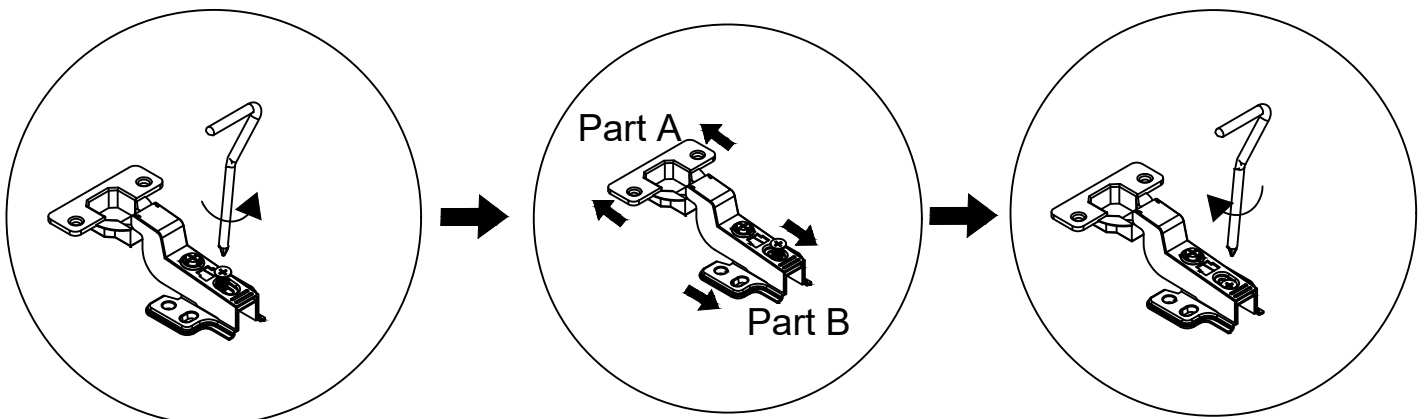
10

 Make the following adjustments to component D before installing Step 12

Loosen the screw first

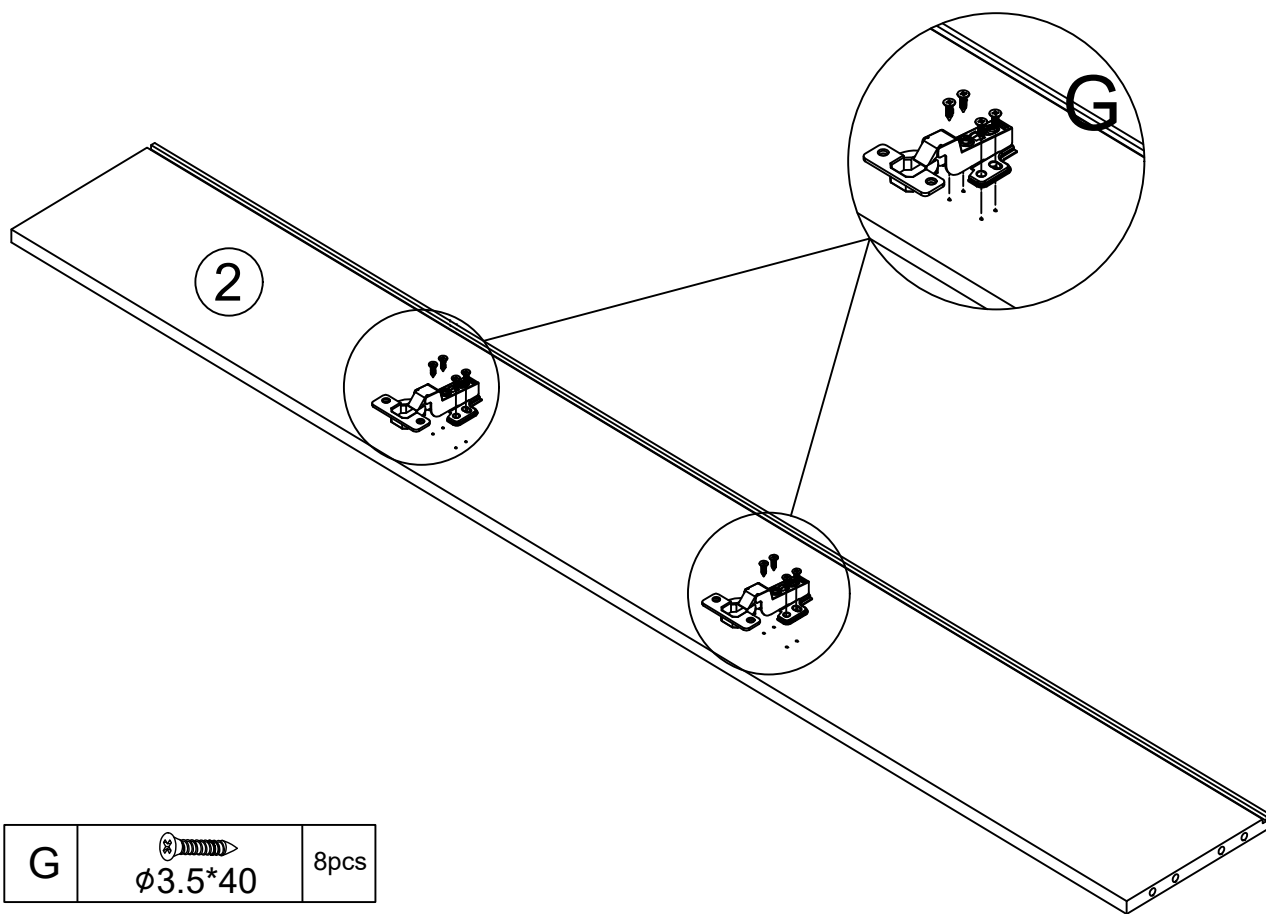
Then push the part to the bottom end of the strip hole


Finally, tighten the screw



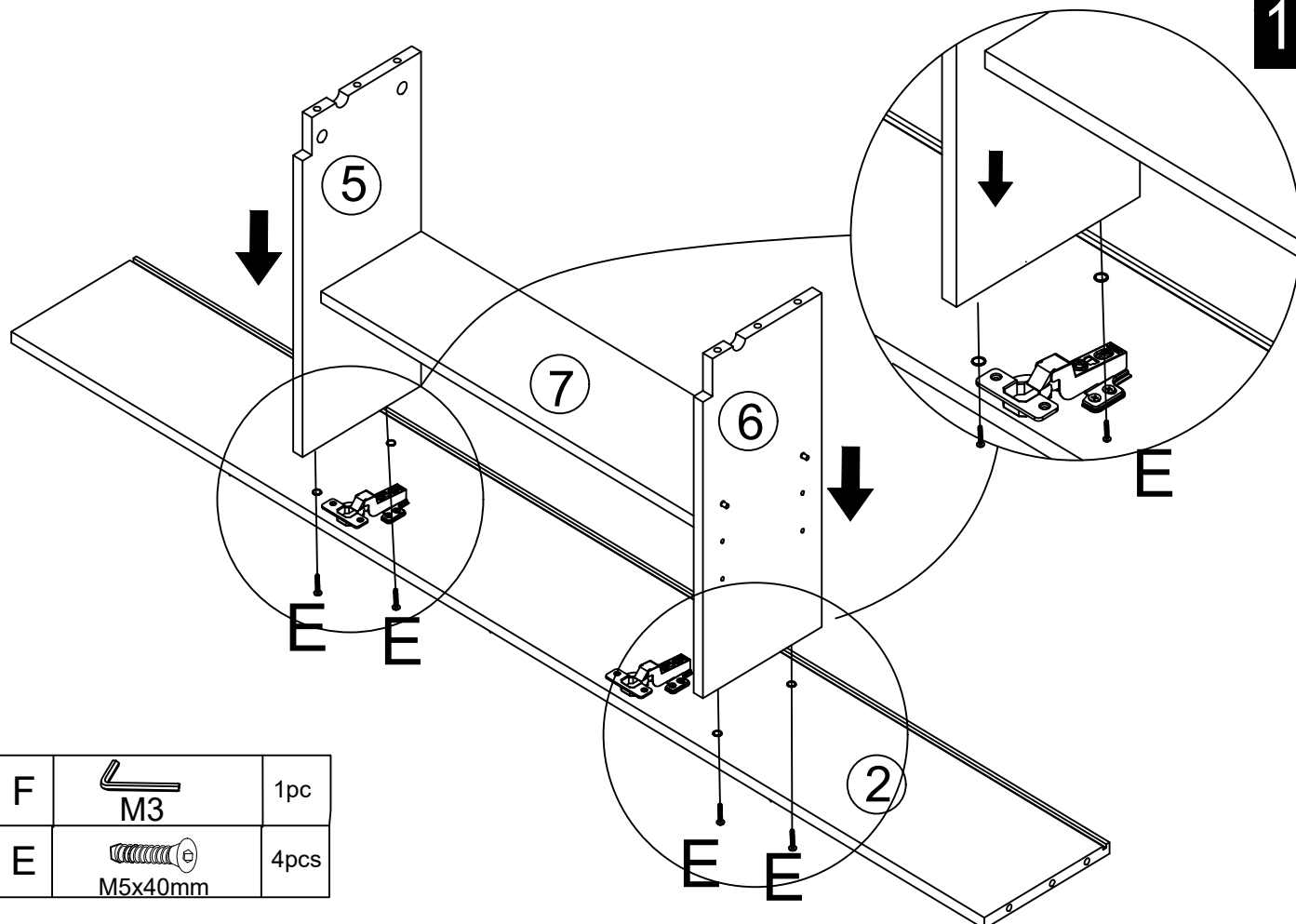
ASSEMBLY INSTRUCTIONS

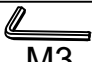
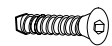
11



G	 $\phi 3.5 \times 40$	8pcs
---	--	------

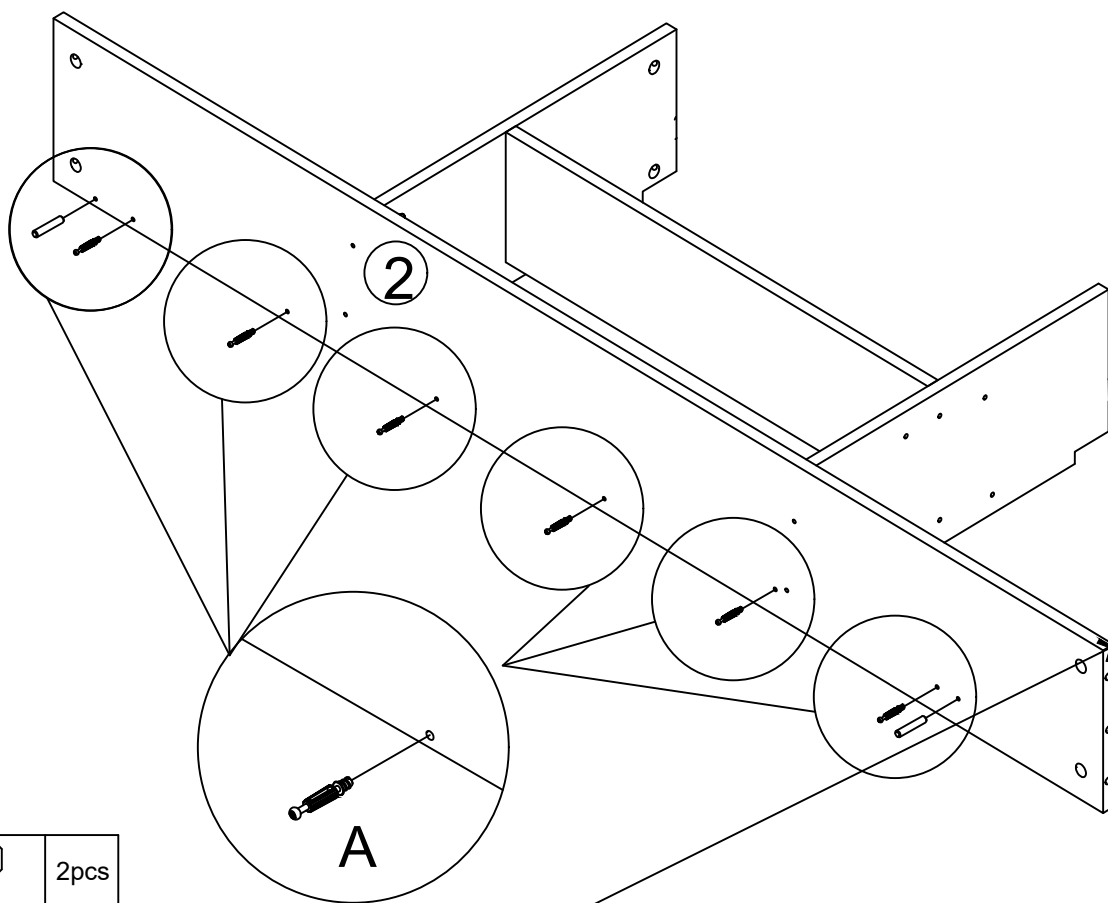
12

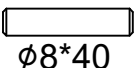
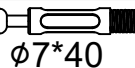


F	 M3	1pc
E	 M5x40mm	4pcs

ASSEMBLY INSTRUCTIONS

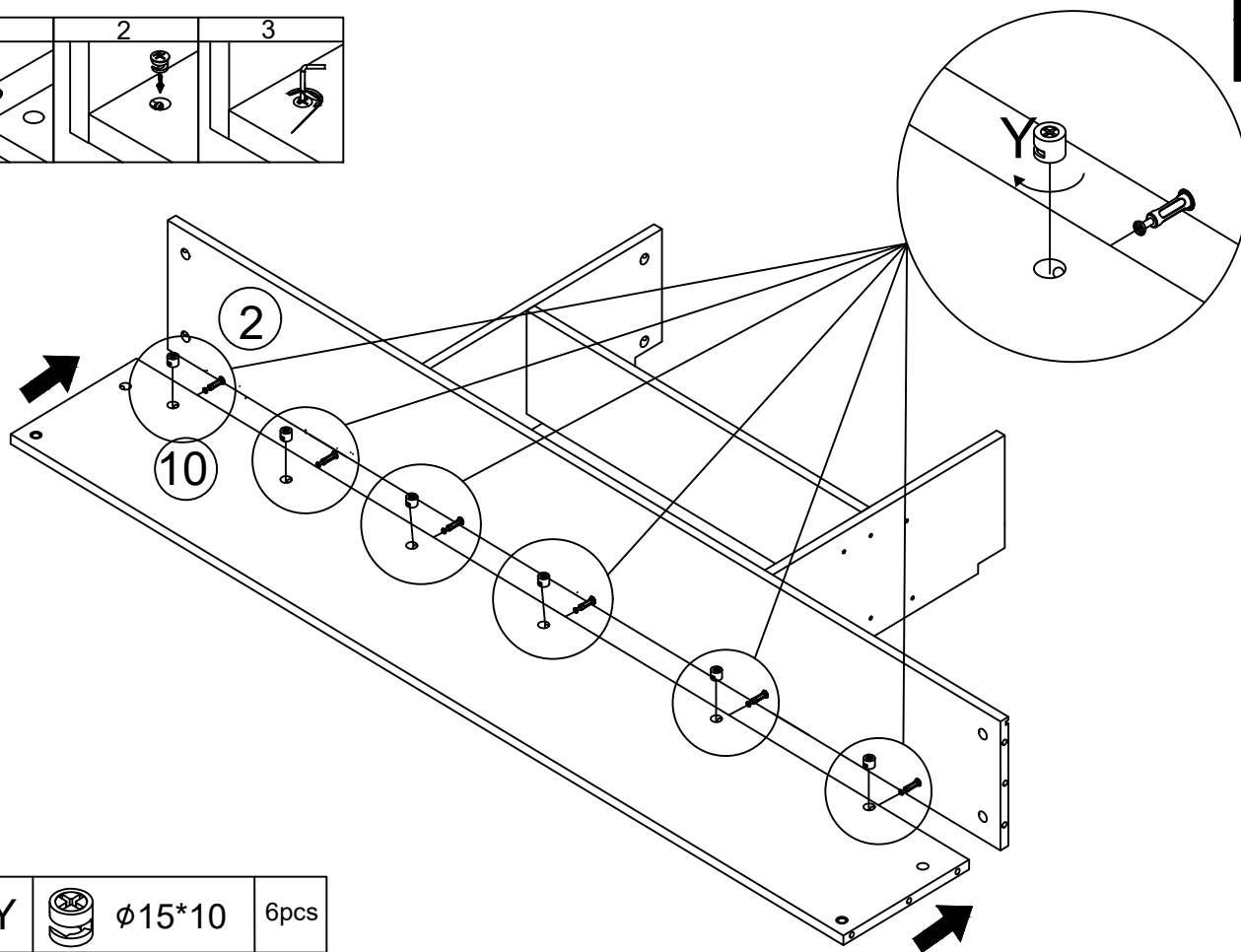
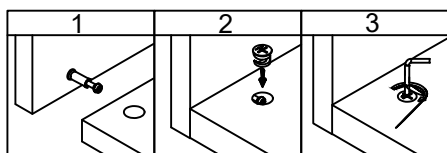
13




B	 ø8*40	2pcs
A	 ø7*40	6pcs

The lamp trough should be placed in the direction of the drawing.

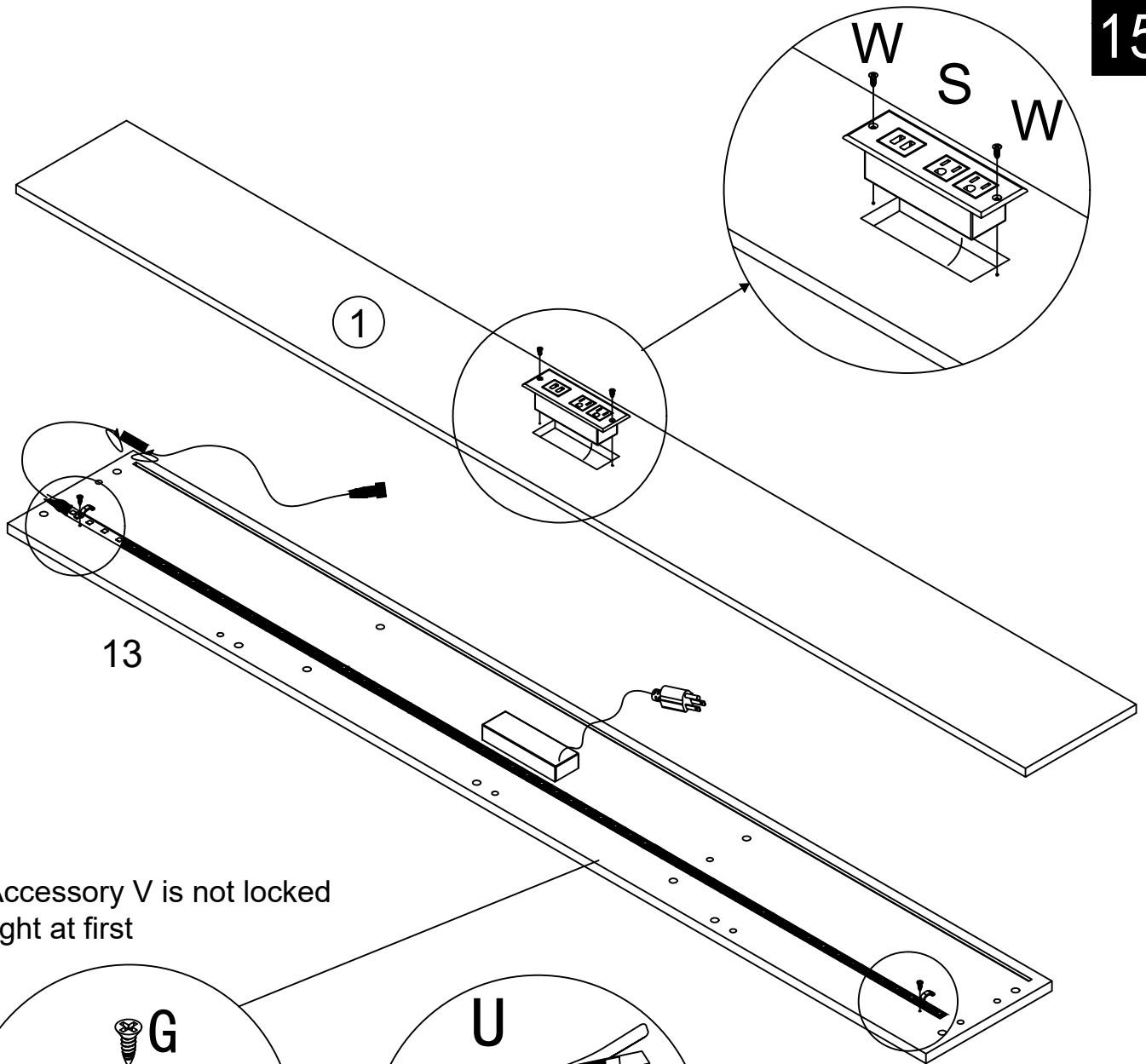
14



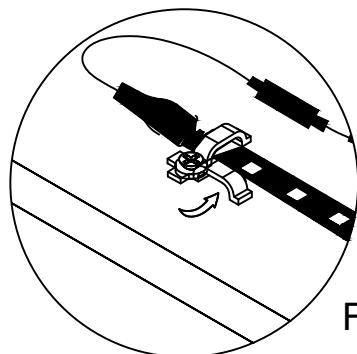
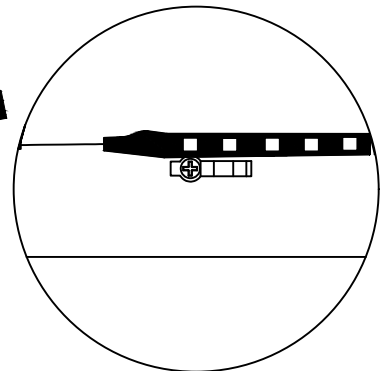
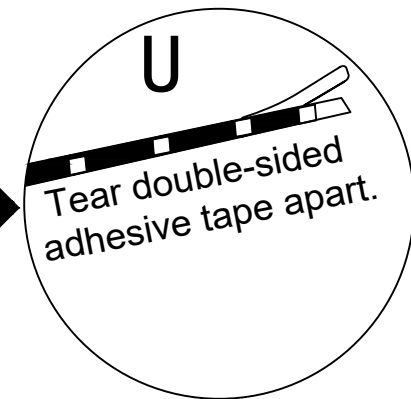
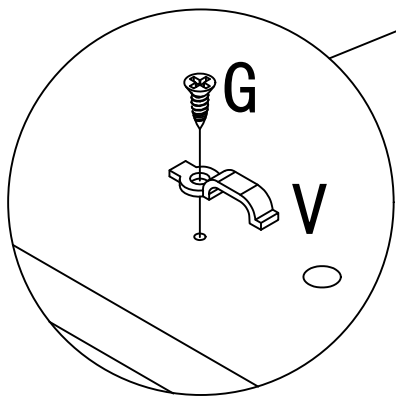
Y	 ø15*10	6pcs
---	---	------

ASSEMBLY INSTRUCTIONS

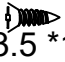

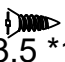
15

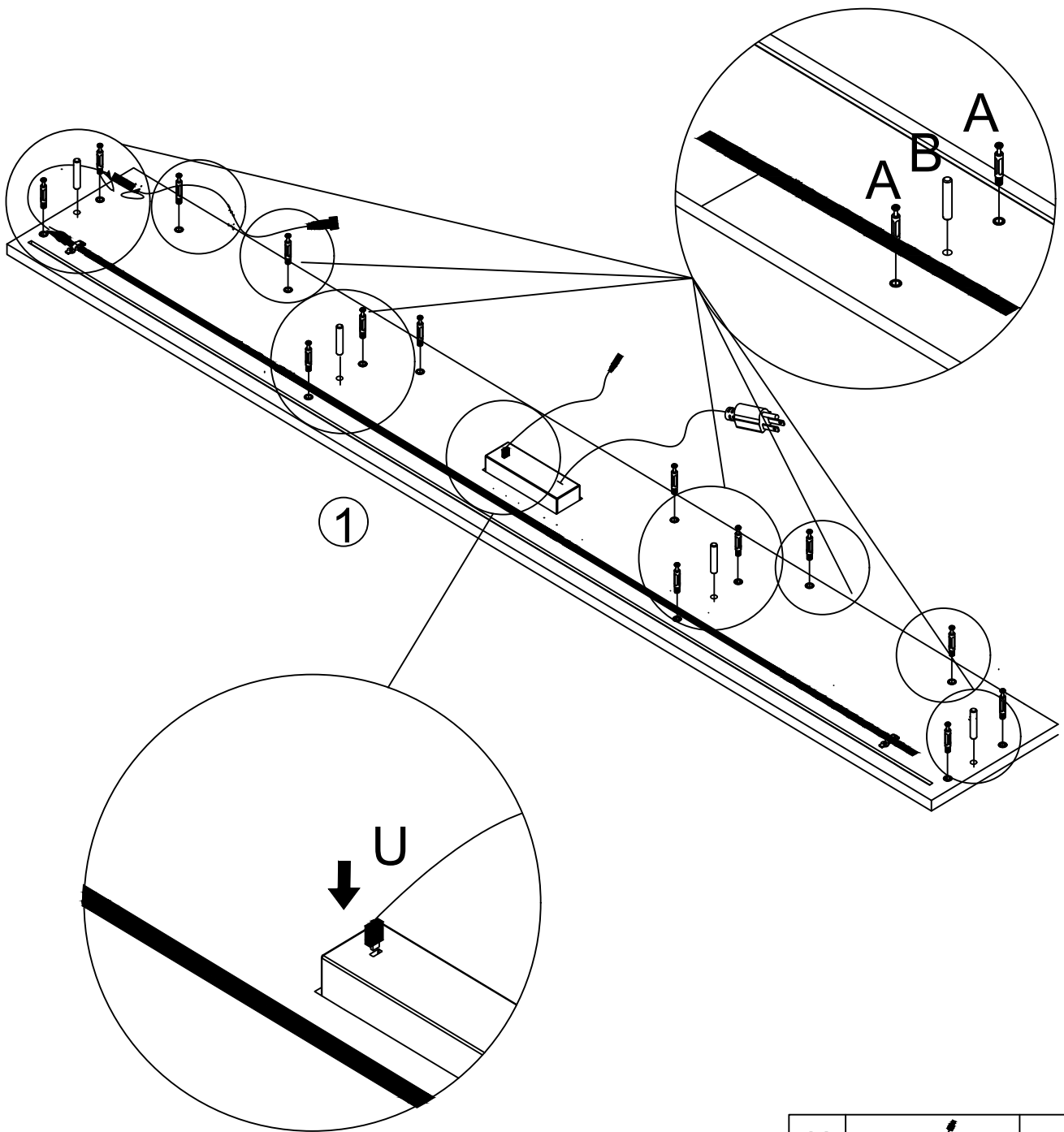




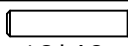
Accessory V is not locked tight at first

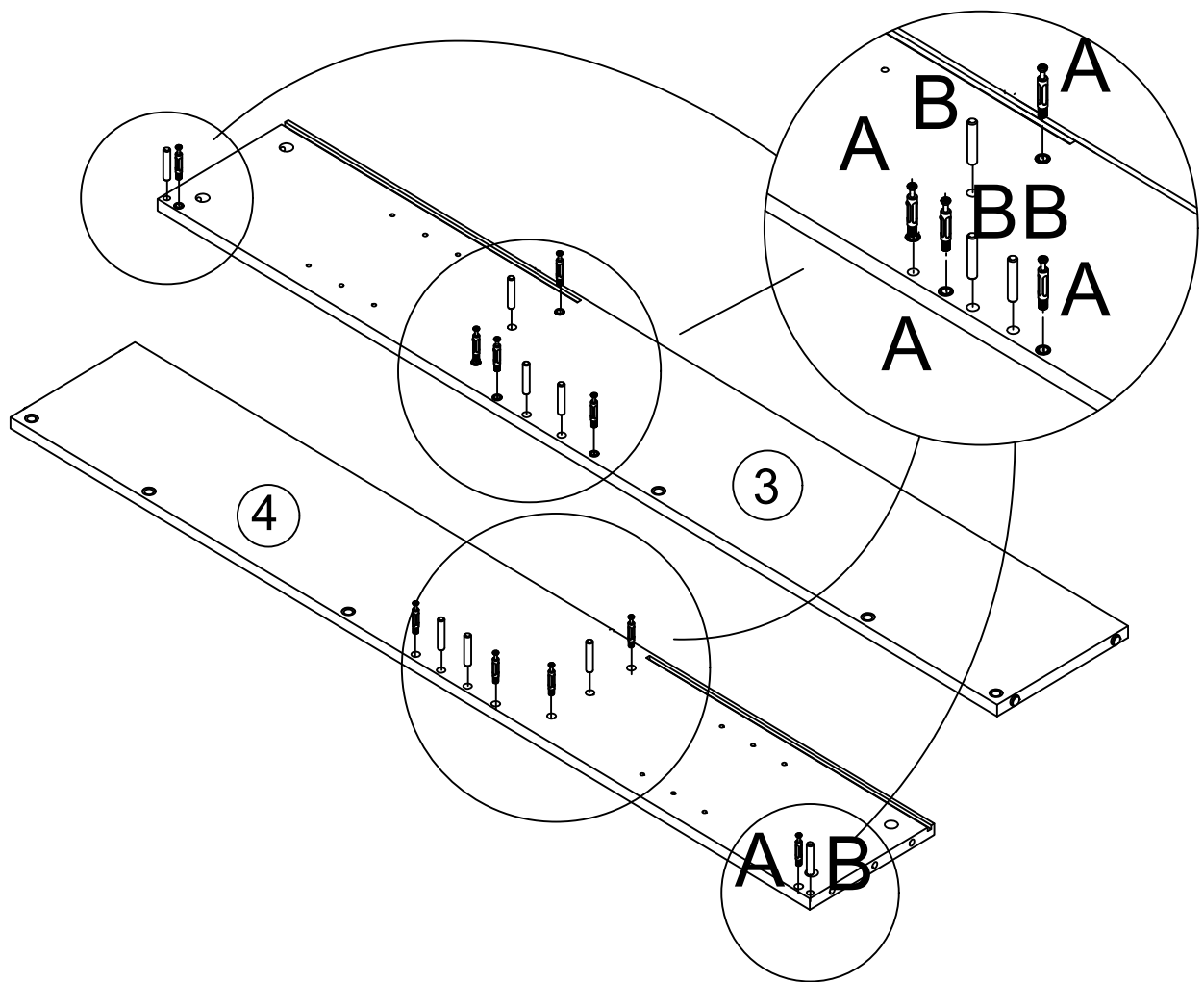


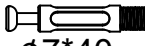
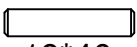
Fastening accessories V

W	 M3.5 *12	2pcs
V		2pcs
G	 M3.5 *12	4pcs



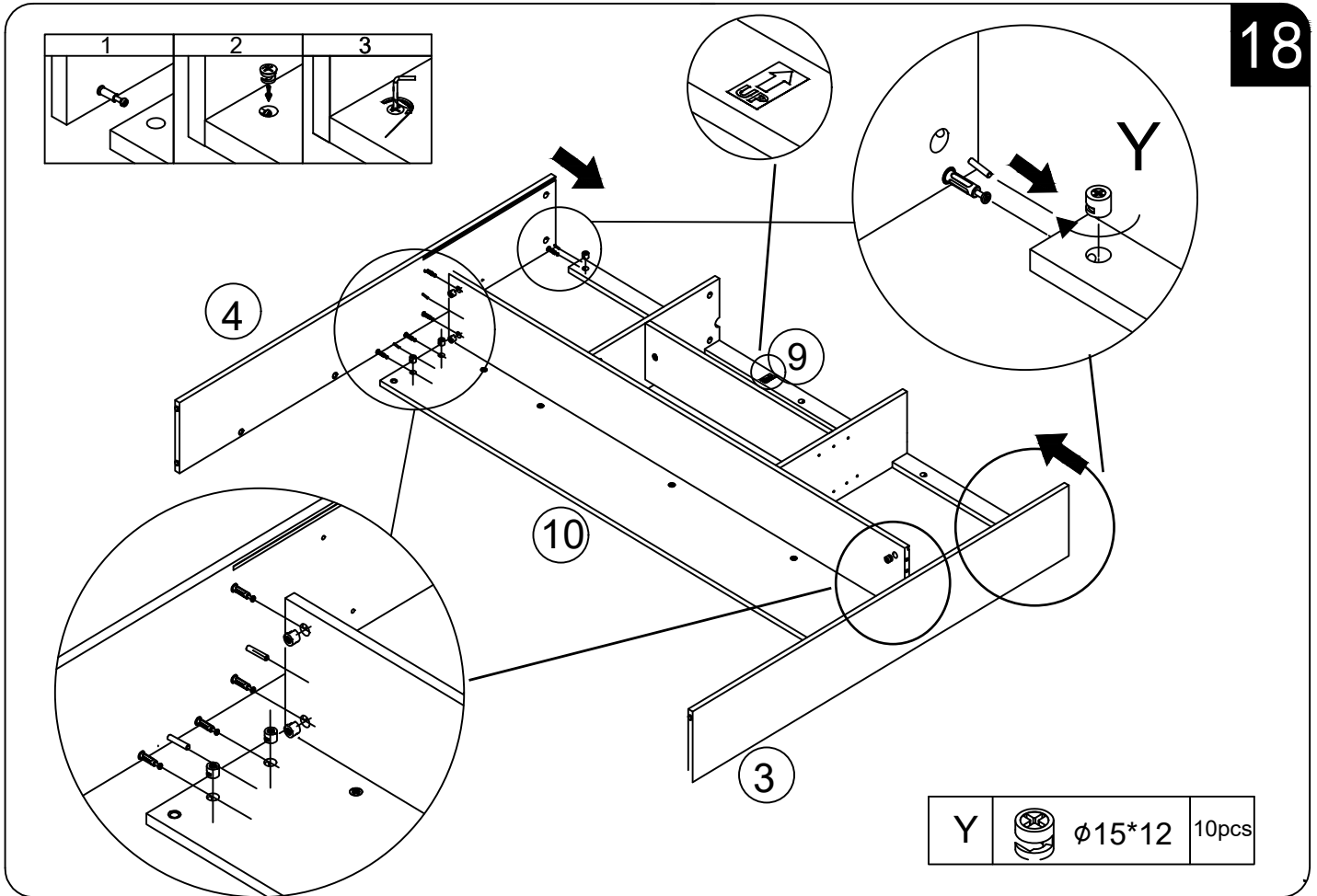
U		1pc
A	 φ7*40	14pcs
B	 φ8*40	4pcs



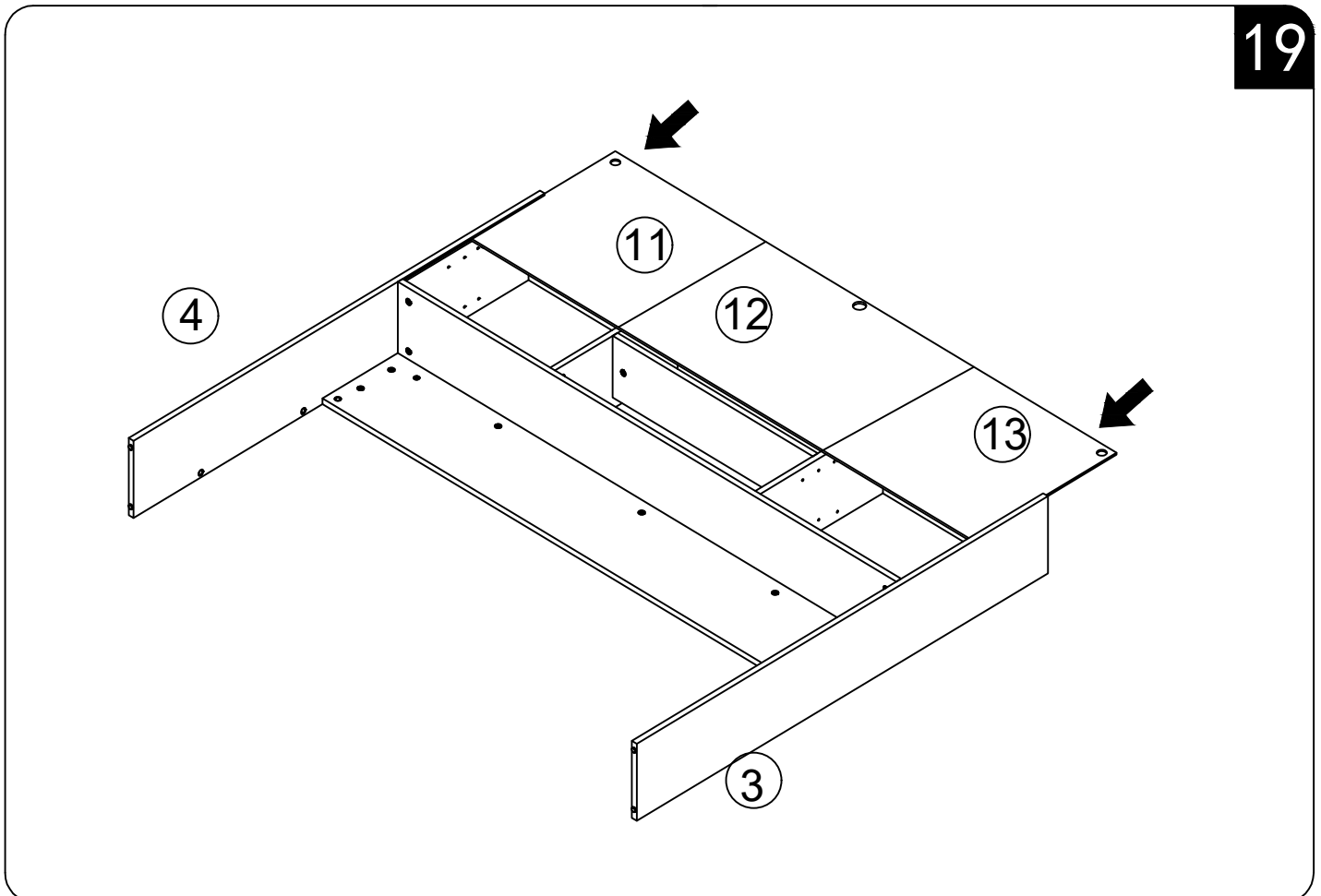
A	 φ7*40	10pcs
B	 φ8*40	7pcs

ASSEMBLY INSTRUCTIONS

18

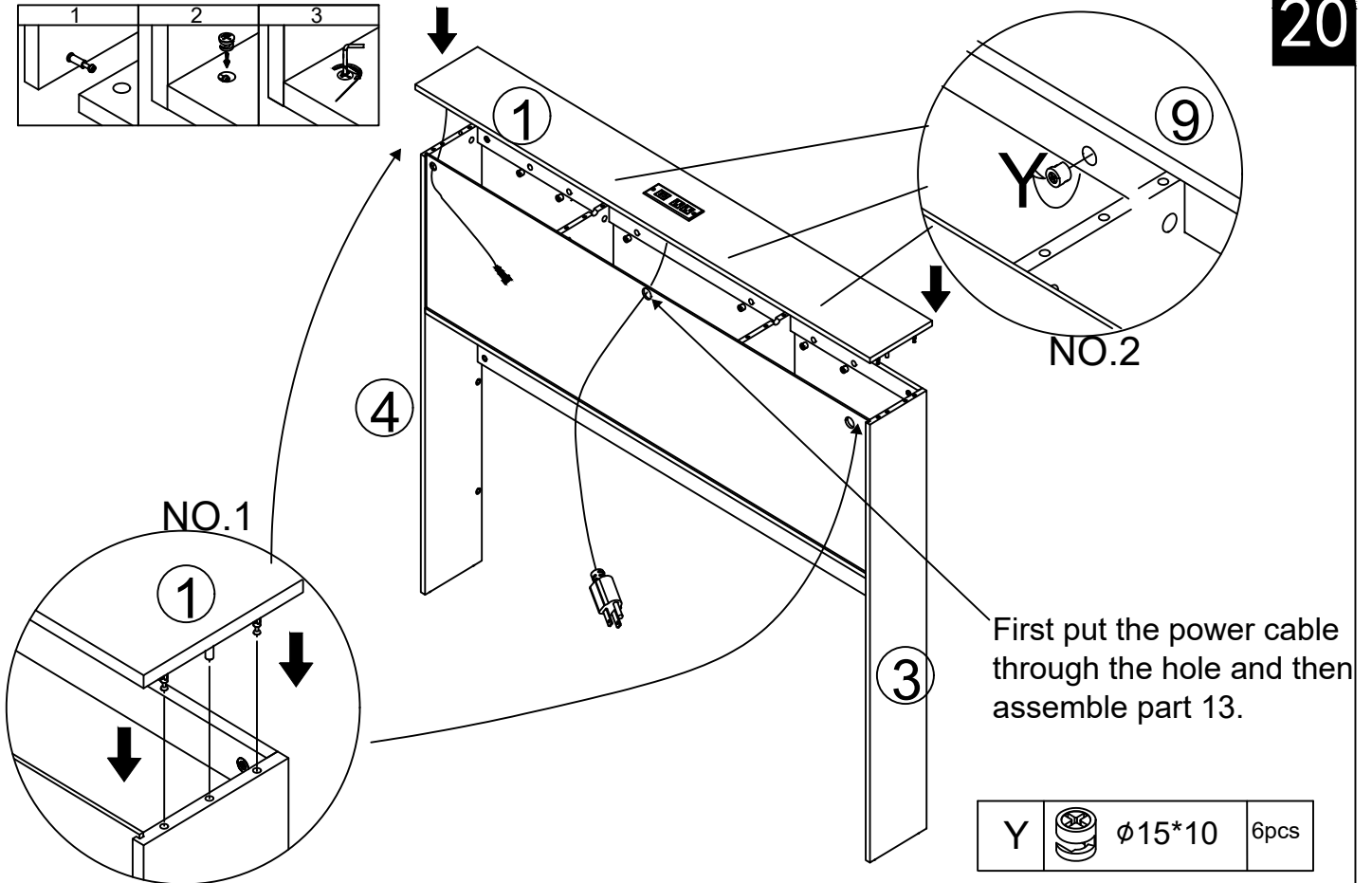
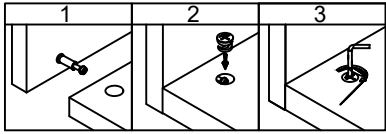


19

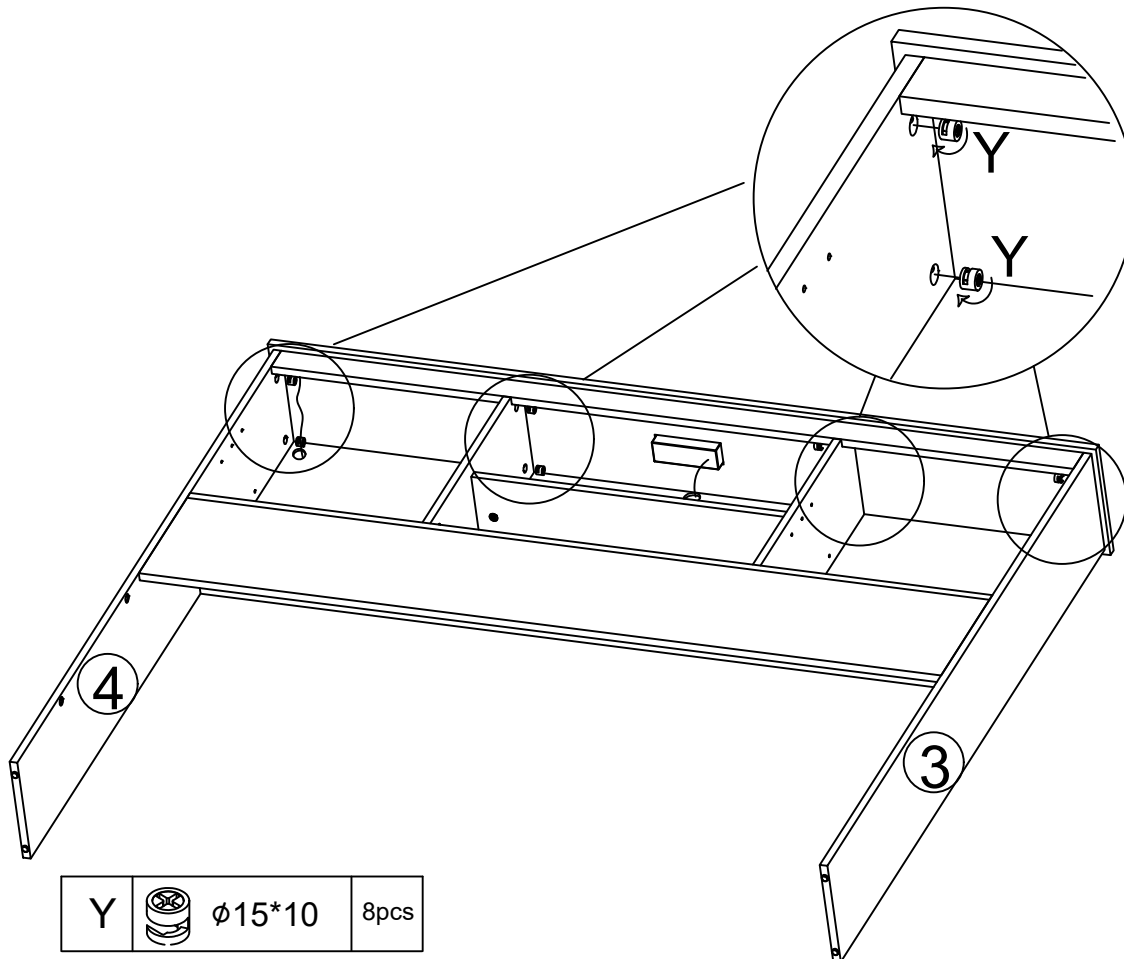


ASSEMBLY INSTRUCTIONS

20

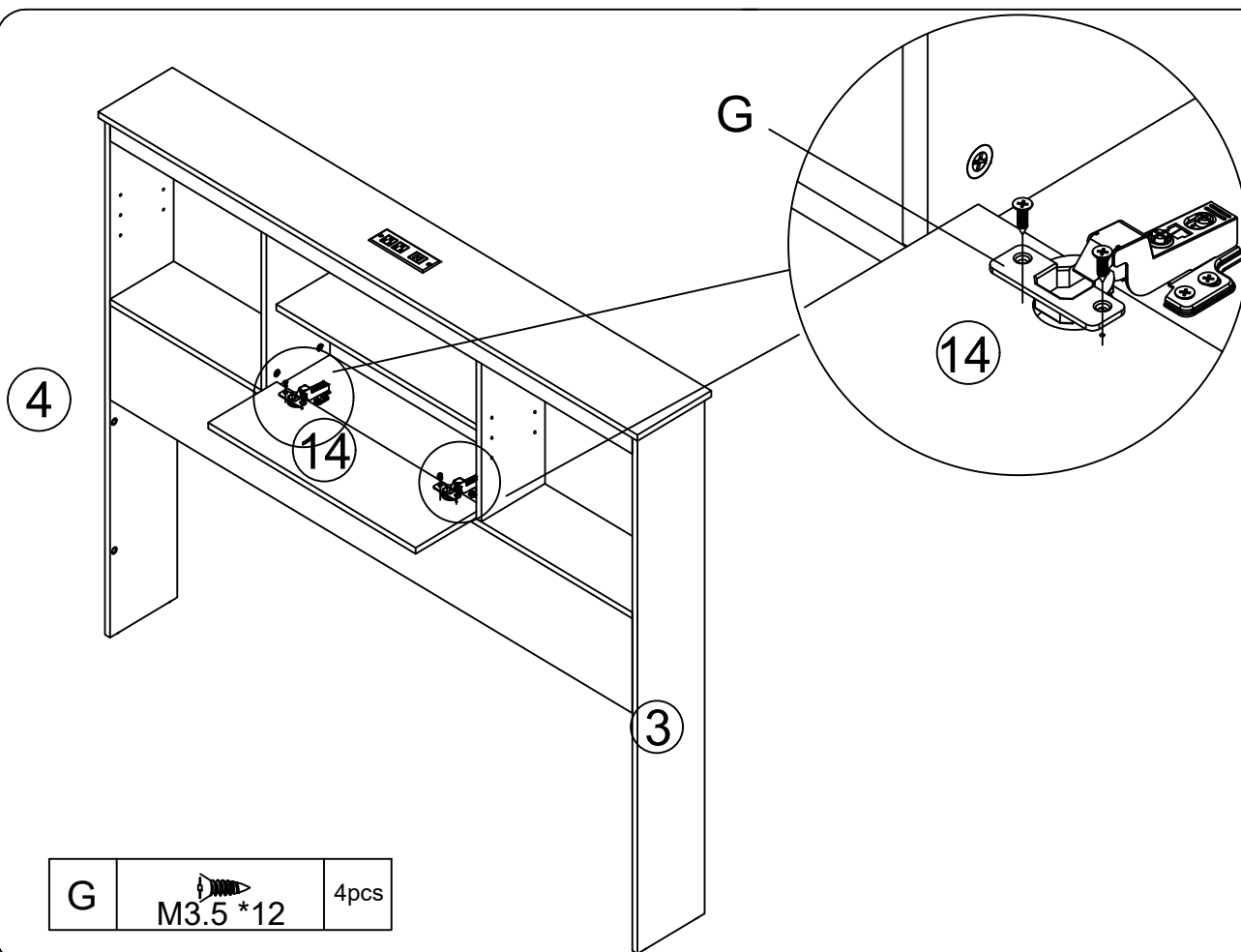
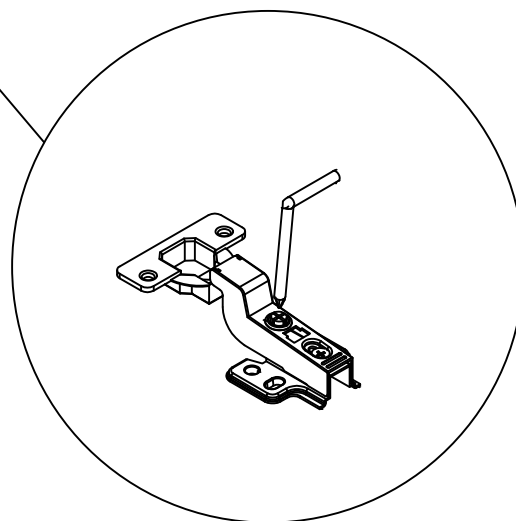



21



Kind reminder in step 23

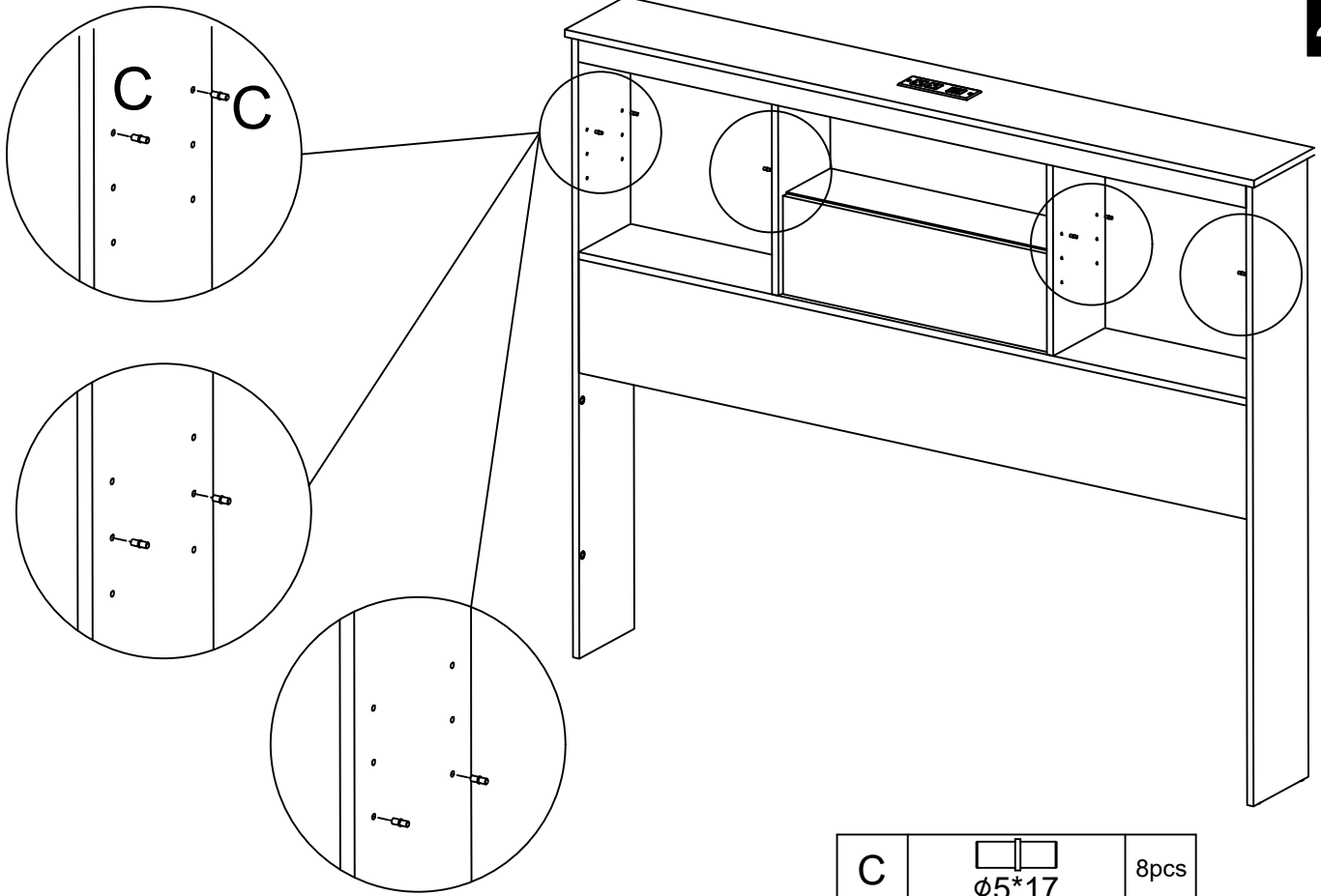
Tighten this screw to ensure that part 14 can be pushed into the right position smoothly.
Adjust the tightness of this screw (tighten or loosen) in case part 14 is not align with the top of part 7 when it's closed.



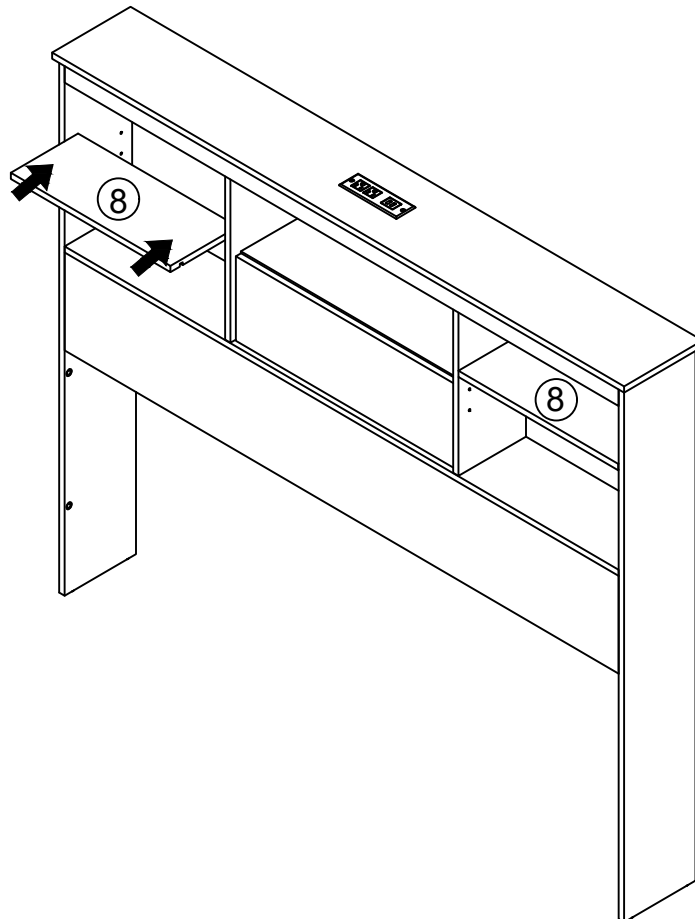
G	 M3.5 * 12	4pcs
---	---	------

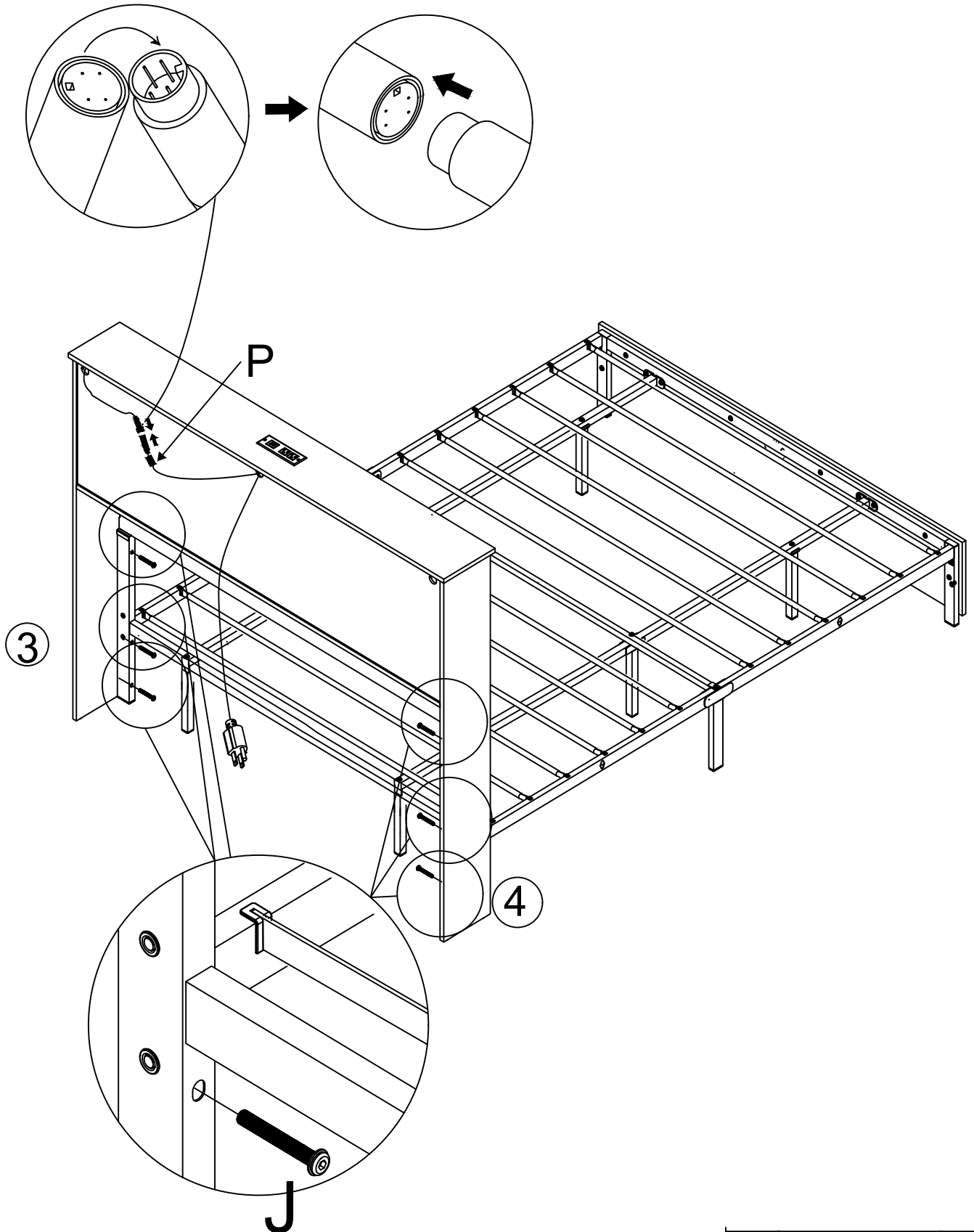
ASSEMBLY INSTRUCTIONS


24



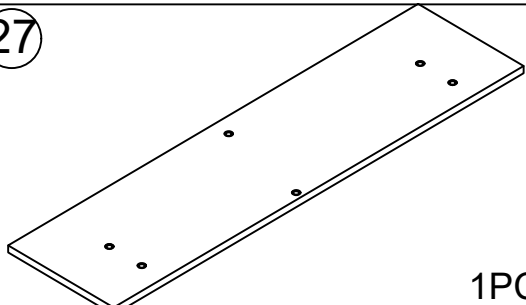
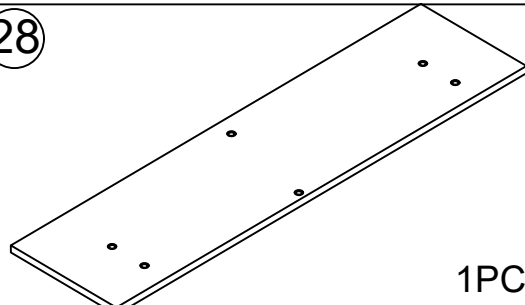
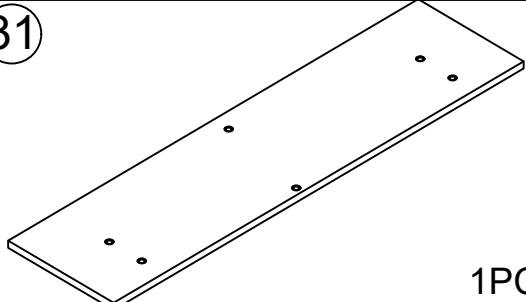
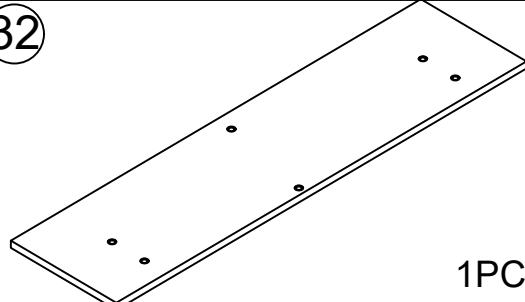
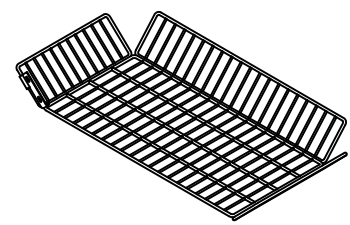



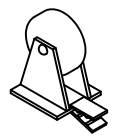

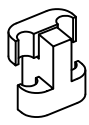
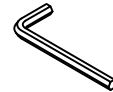
25





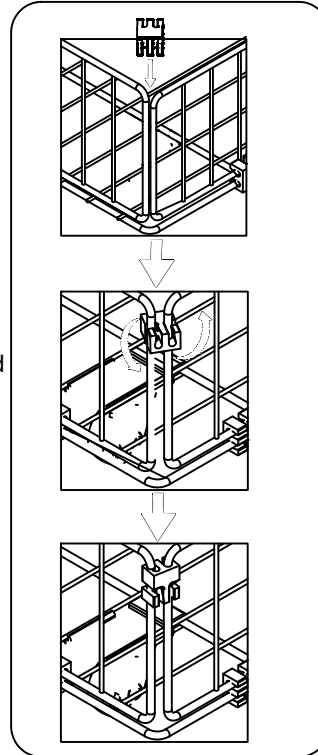
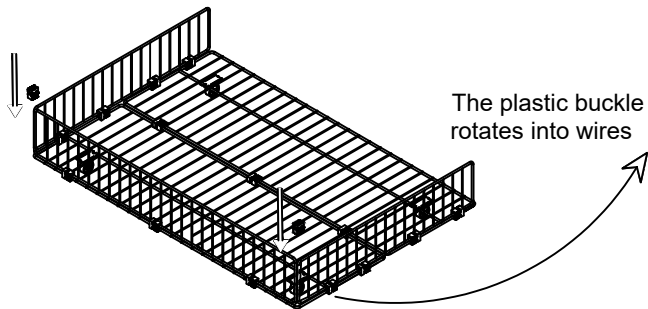
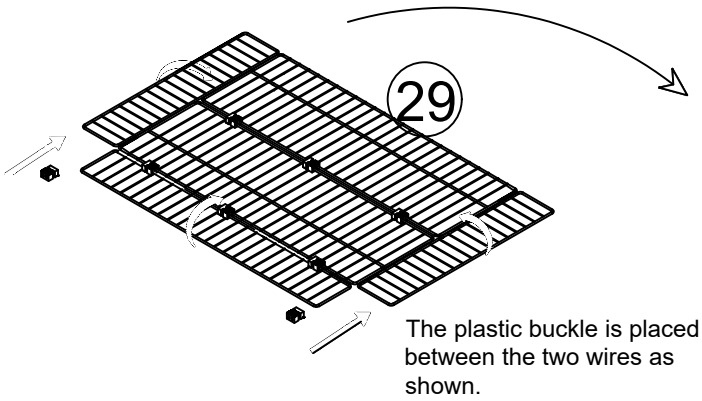
J	 M8*50	6pcs
---	--	------

ASSEMBLY INSTRUCTIONS

<p>27</p>  <p>1PC</p>	<p>28</p>  <p>1PC</p>
<p>31</p>  <p>1PC</p>	<p>32</p>  <p>1PC</p>
<p>29</p>  <p>4PCS</p>	<p>O</p>  <p>M8*15</p> <p>20PCS</p>
<p>P</p>  <p>M8</p> <p>4PCS</p>	<p>Q</p>  <p>4PCS</p>
<p>R</p>  <p>16PCS</p>	<p>X</p>  <p>M8*12</p> <p>4PCS</p>
<p>T</p>  <p>8PCS</p>	<p>I</p>  <p>M5</p> <p>1PC</p>

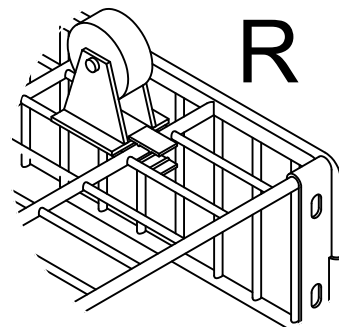
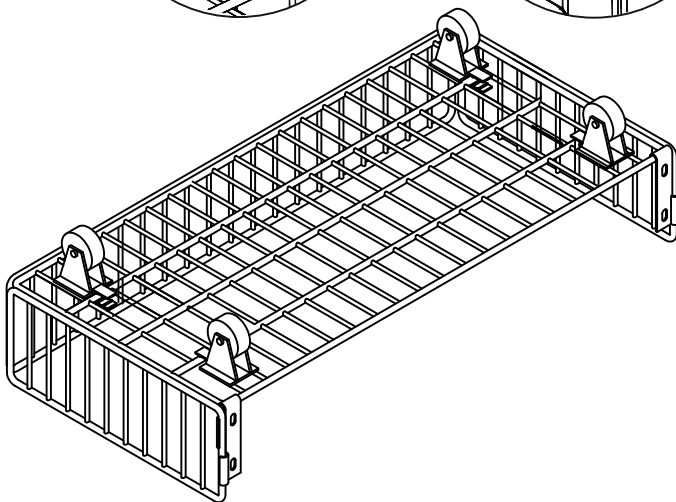
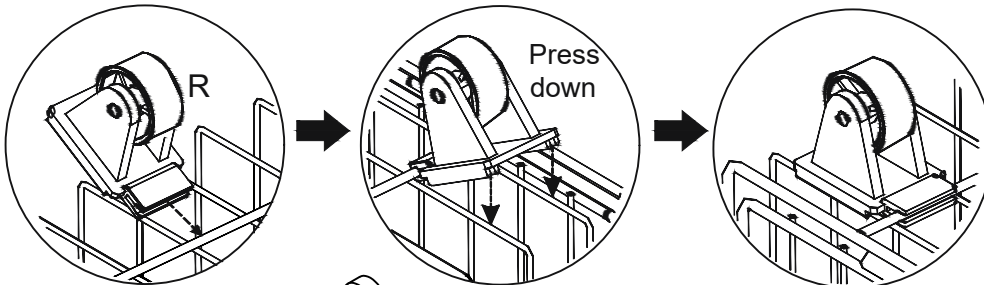
ASSEMBLY INSTRUCTIONS

27



T		8pcs
---	--	------

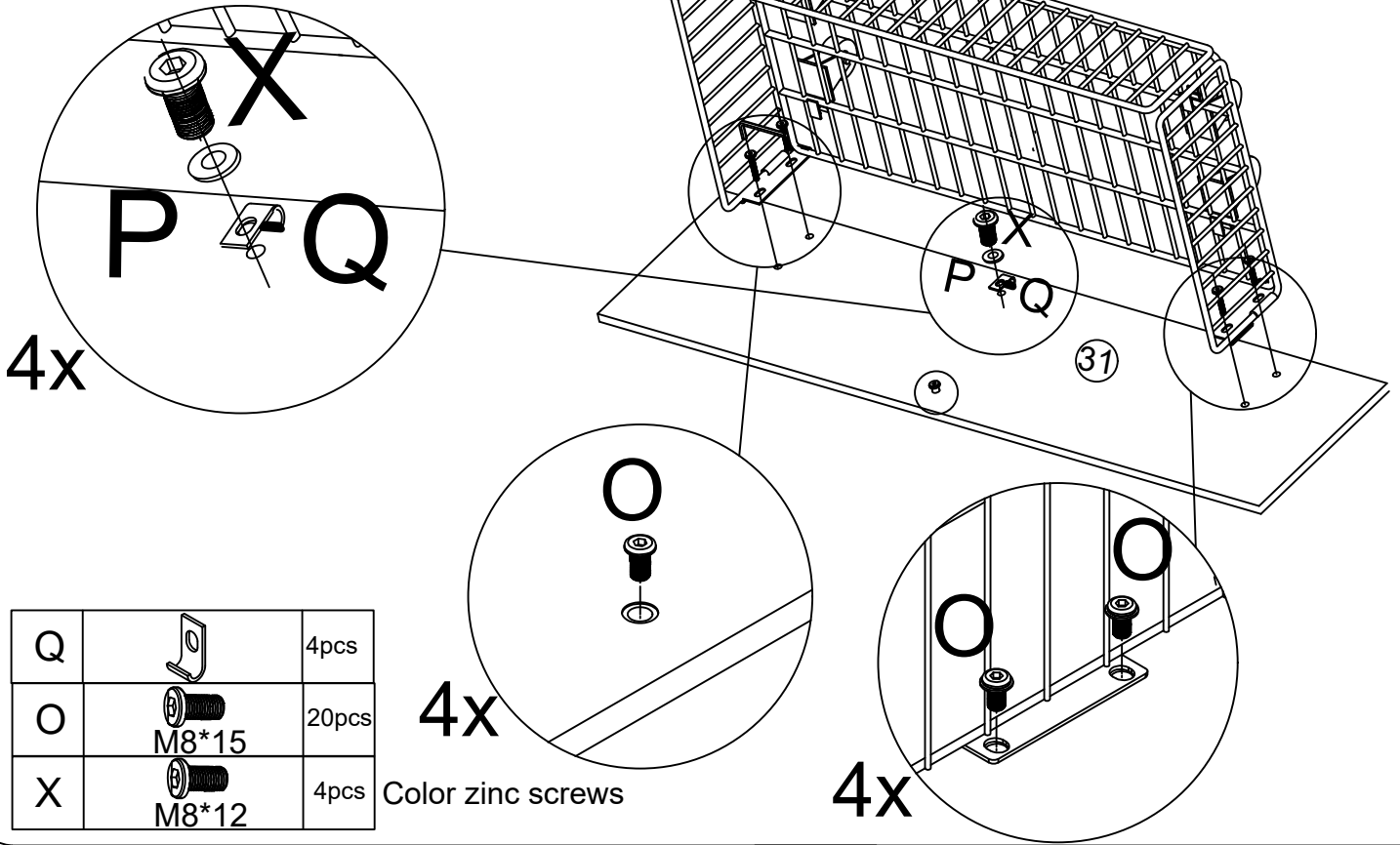
28



R		16pcs
---	--	-------

ASSEMBLY INSTRUCTIONS

29



30

Gently lift the drawer, align the screw with the gourd-shaped hole, and then snap it in

