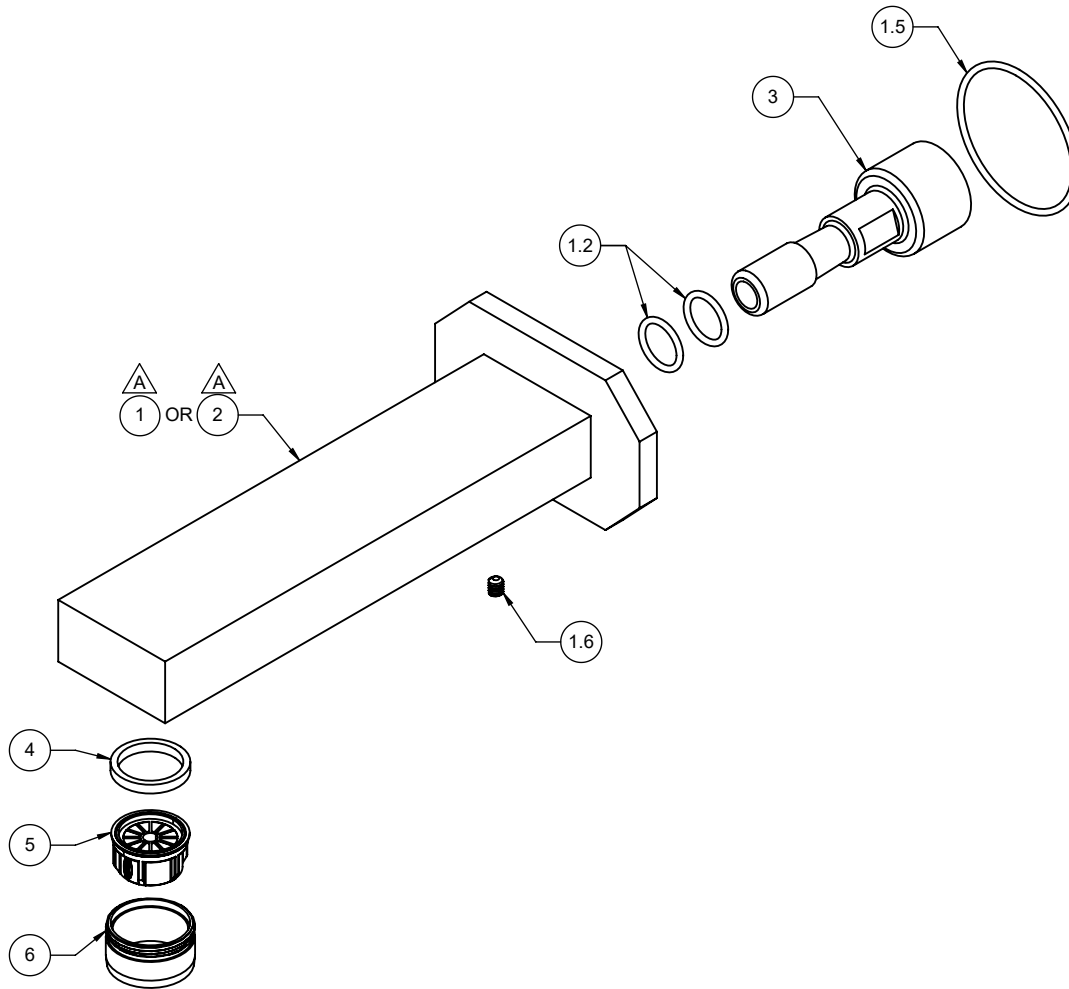


△ REQUIRES ITEM 4, 5, AND 6

TS-C2
D-C2



To order spare parts add and/or replace as stated below:

SPD- prefix added to part number(s)
-ZZ replaced with finish code (see finish table)
-WW replaced with **-90** (light finish) or **-96** (dark finish)

Ex: **SPD-7-100278-PC** or **SPD-86030-96**

ITEM	PART NO.	DESCRIPTION	QTY.
for TS-C2	1	7-100512-ZZ ASM, 7" WALL VESSEL SPOUT, C2 (incl. 1.2, 1.5, 1.6)	1
	1.2	87220-80 O-RING Ø12.42 X 1.78 (-014) EPDM A70 (NSF61-12 & WRAS)	2
	1.5	87175-80 O-RING Ø41.00 X 1.78 (-030) BUNA-N A70	1
	1.6	86031-90 SETSCREW 8-32 X 3/16 SCKT HD CUP PT SS	1
for D-C2	2	7-100461-ZZ ASM, 9" WALL VESSEL SPOUT, C2 (incl. 1.2, 1.5, 1.6)	1
	3	880129-98 QUICK CONNECT, WALL SPT "NL"	1
	4	87164-80 WSHR Ø.669" X Ø.846" X .110" EPDM A70 (NSF-61-12)	1
	5	880157-81 INSERT, STD NEOSTRAHL FULL FLOW	1
	6	880168-ZZ SHELL, STD 15/16"-27, MALE THD	1
for ITEM 1.6	7	882042-99 KEY, ALLEN, 5/64", BLACK	1