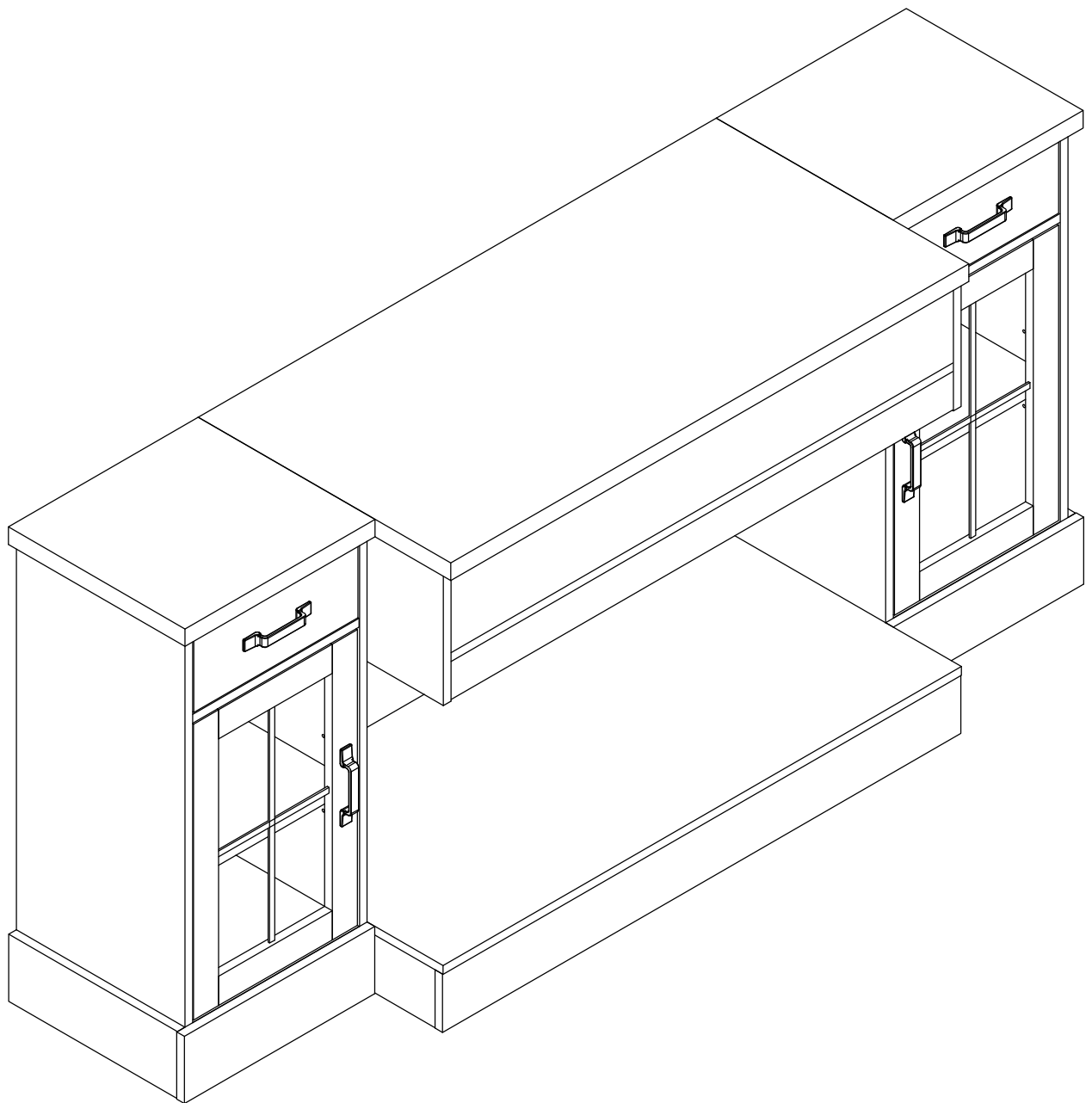
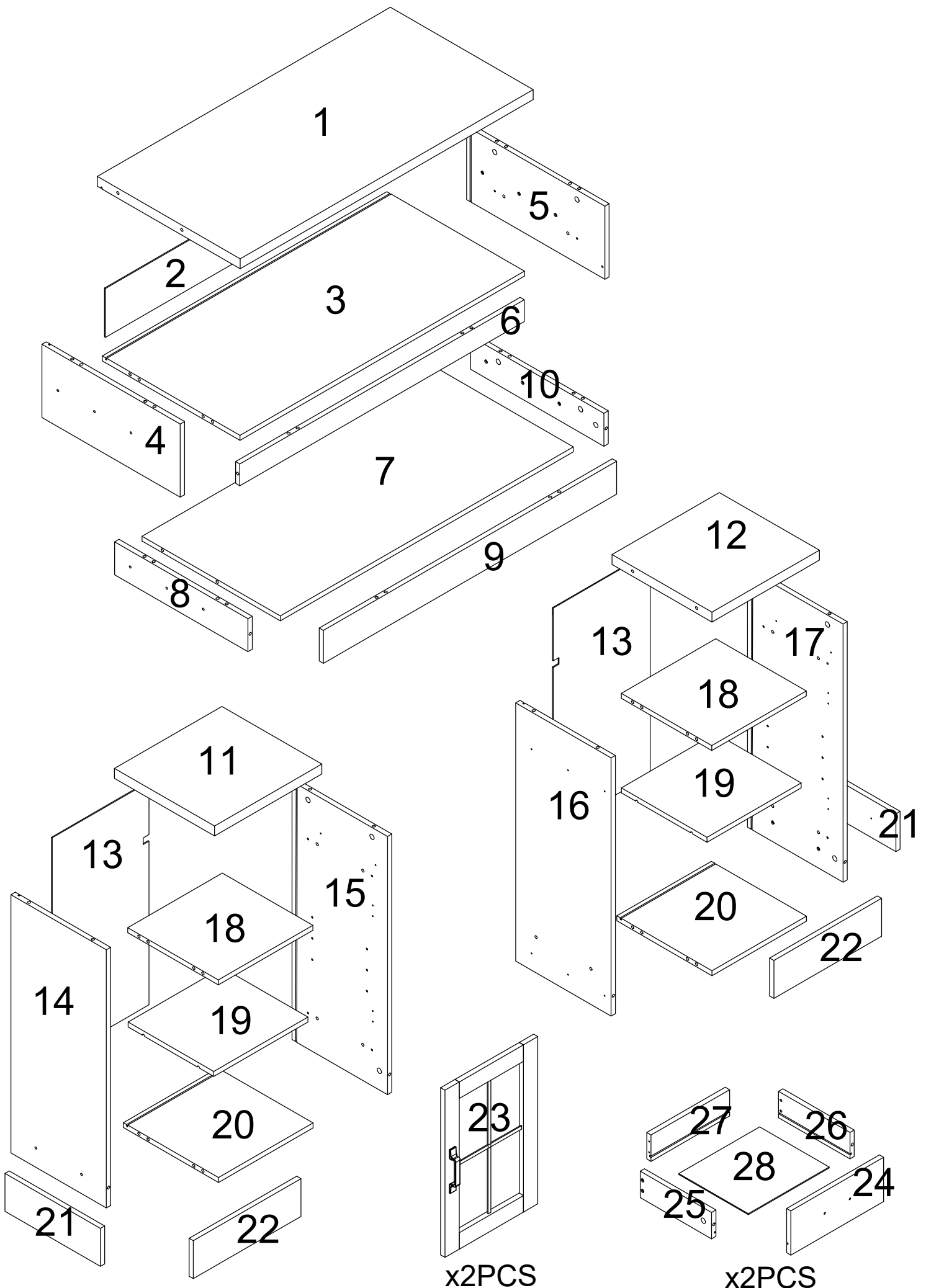


SKU:SF001008WH
SF001008NA
SF001008GR
SF001008BR





x2PCS

x2PCS

Trouble Shooting

Missing/Damaged pieces/
Wrong size and installation issues



Contact us with your problem, pic,
number and qty to the "Contact seller"
button in the detail page of your order



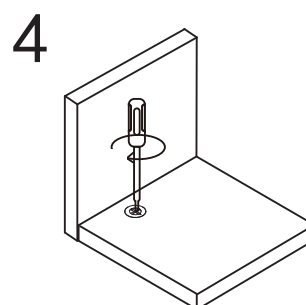
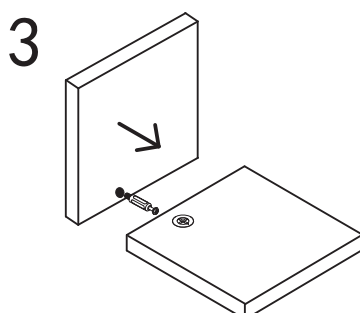
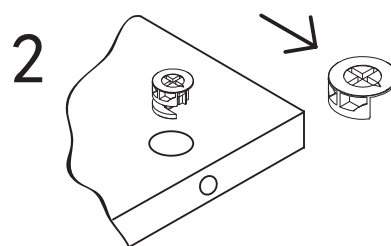
Respond with 24 hours to solve issue

Before You Start

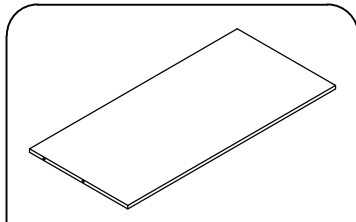
1. Read through each step carefully and follow the proper order
2. Separate and count all your parts and hardware
3. Give yourself enough room for the assembly process
4. Caution: If using a power drill or power screwdriver for screwing, please be aware to slow down and stop when screw is tight. Failure to do so may result in stripping the screw

Cam Lock Fastening System

This Cam Lock Fastening System will be used throughout the assembly process

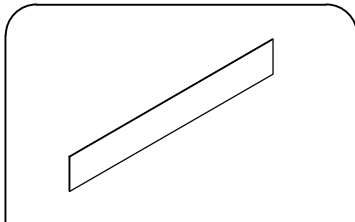


Parts List



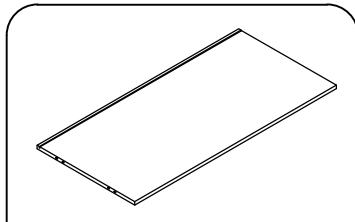
1

1PC



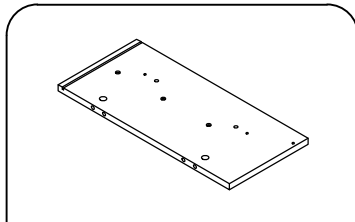
2

1PC



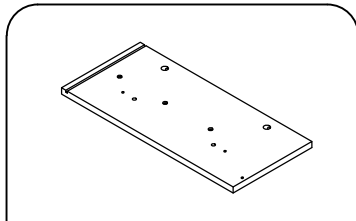
3

1PC



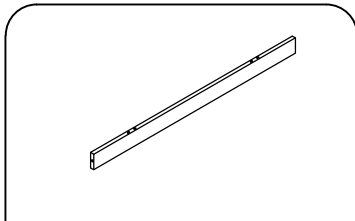
4

1PC



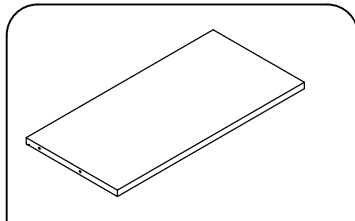
5

1PC



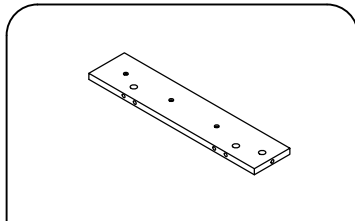
6

1PC



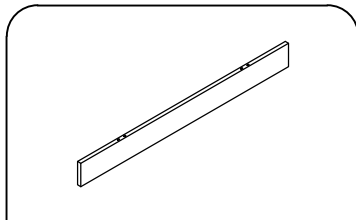
7

1PC



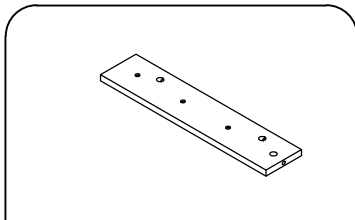
8

1PC



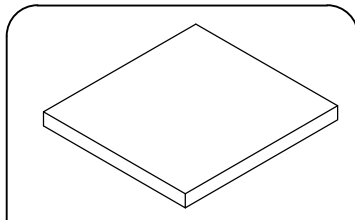
9

1PC



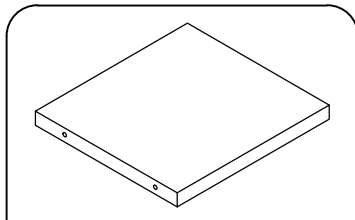
10

1PC



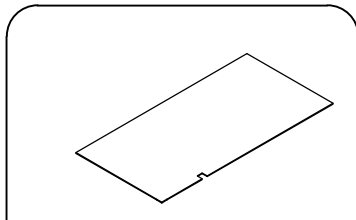
11

1PC



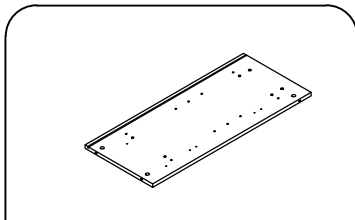
12

1PC



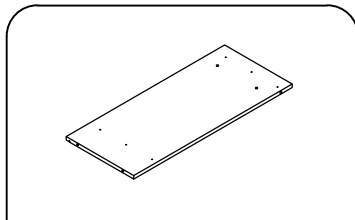
13

2PC



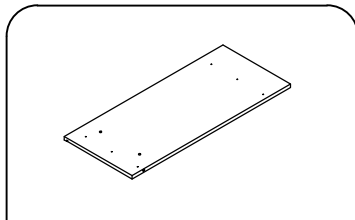
14

1PC



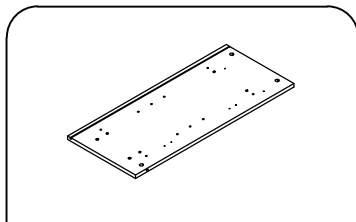
15

1PC



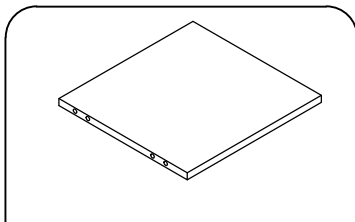
16

1PC



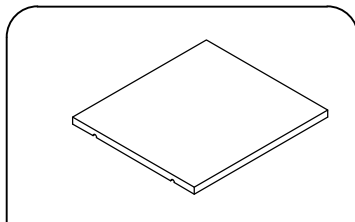
17

1PC



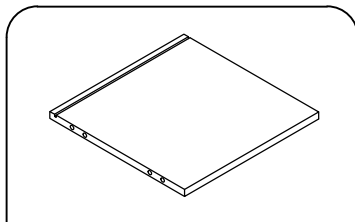
18

2PC



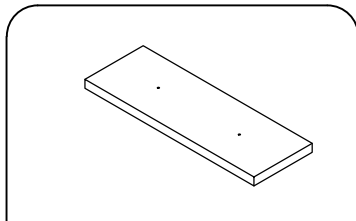
19

2PC



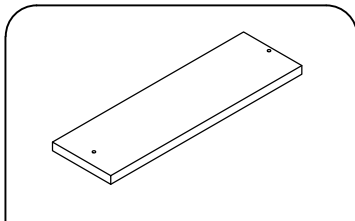
20

2PC



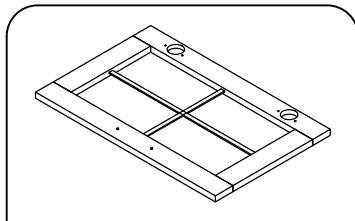
21

2PC



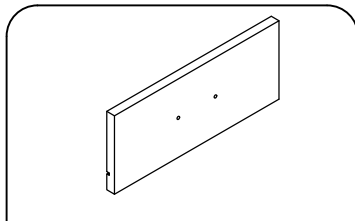
22

2PC



23

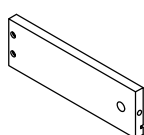
2PC



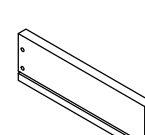
24

2PC

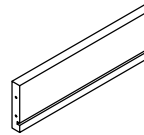
Parts List



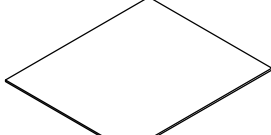
25	2PC
----	-----



26	2PC
----	-----




27	2PC
----	-----

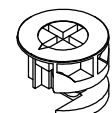


28	2PC
----	-----

Hardware List

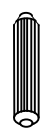


A	52PC
---	------



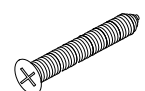
Ø15

B	52PC
---	------



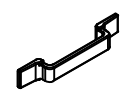
Ø8*30mm

C	40PC
---	------




Ø4*40mm

D	8PC
---	-----




E	4PC
---	-----




M4*18mm

F	8PC
---	-----

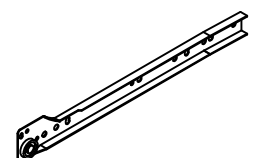


G	8PC
---	-----

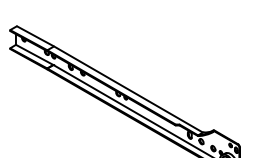


Ø3.5*14mm

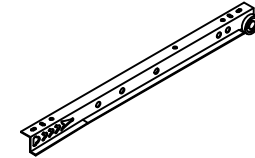
H	16PC
---	------



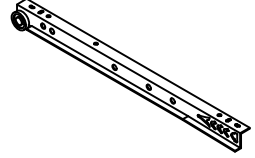
I	2PC
---	-----




J	2PC
---	-----



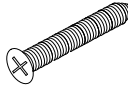
K	2PC
---	-----



L	2PC
---	-----




M	4PC
---	-----



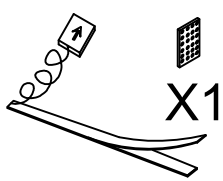
Ø4*25mm

N	16PC
---	------



Ø3*12mm

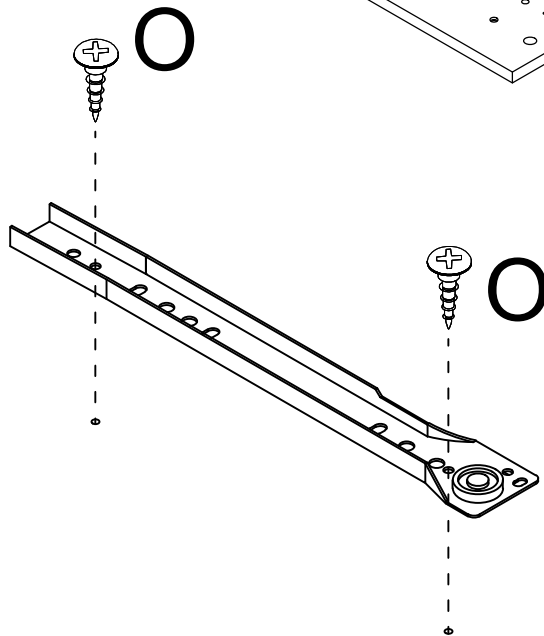
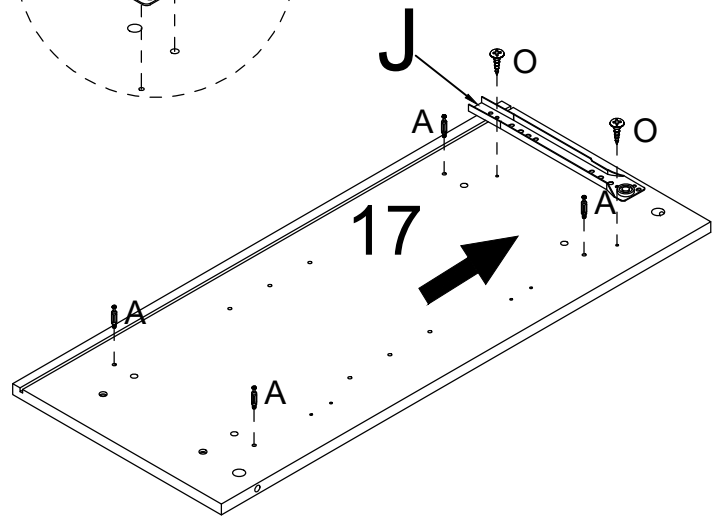
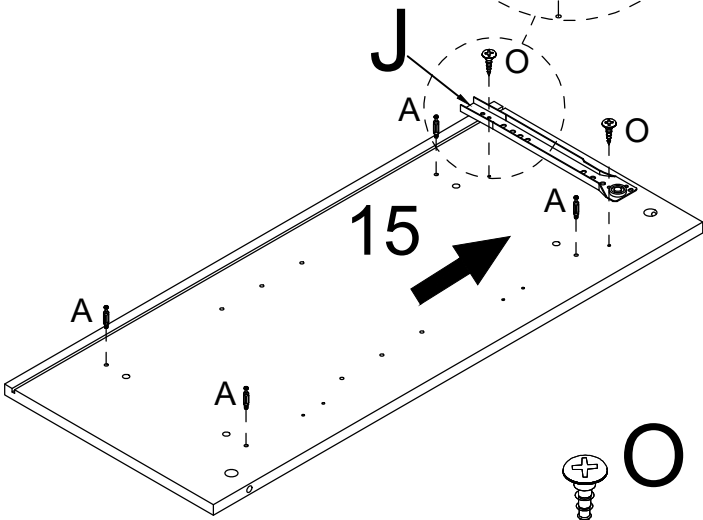
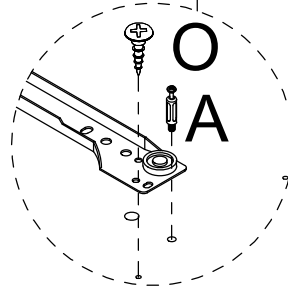
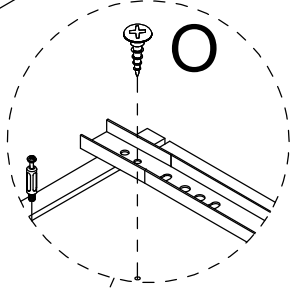
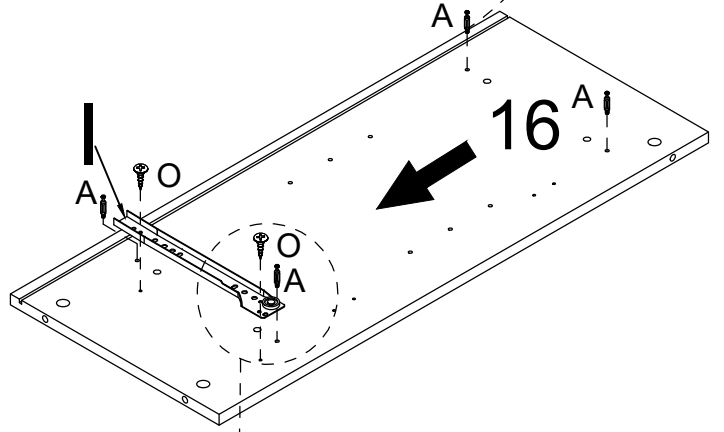
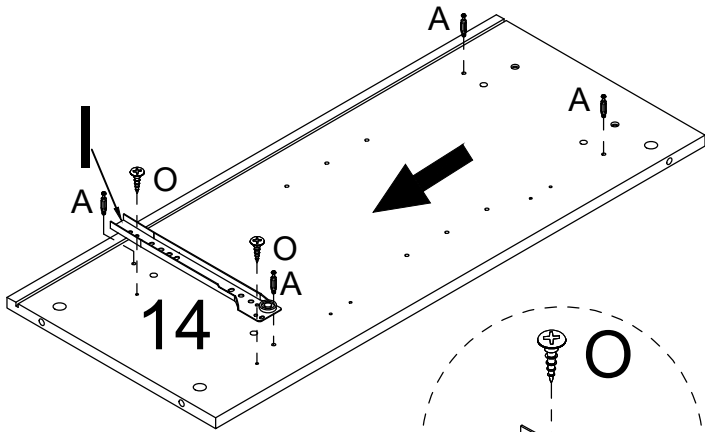
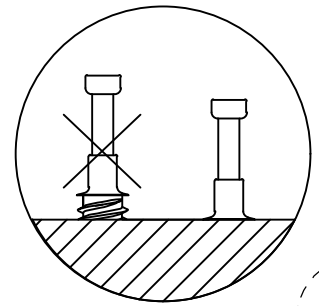
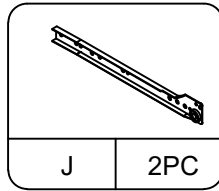
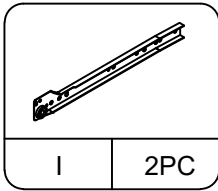
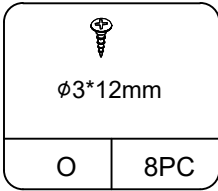
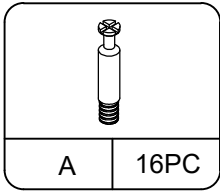
O	16PC
---	------



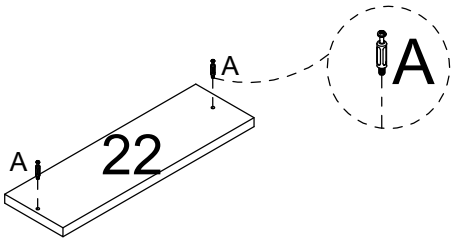
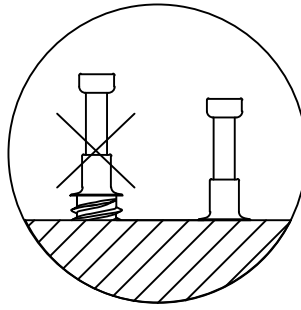
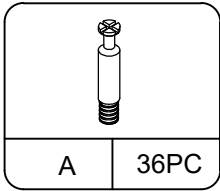
X1

P	2PC
---	-----

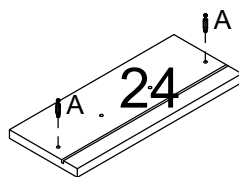
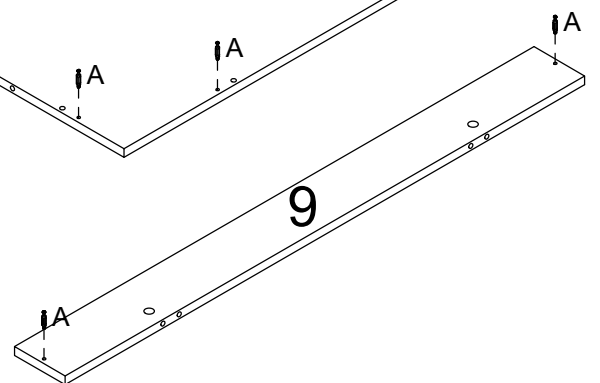
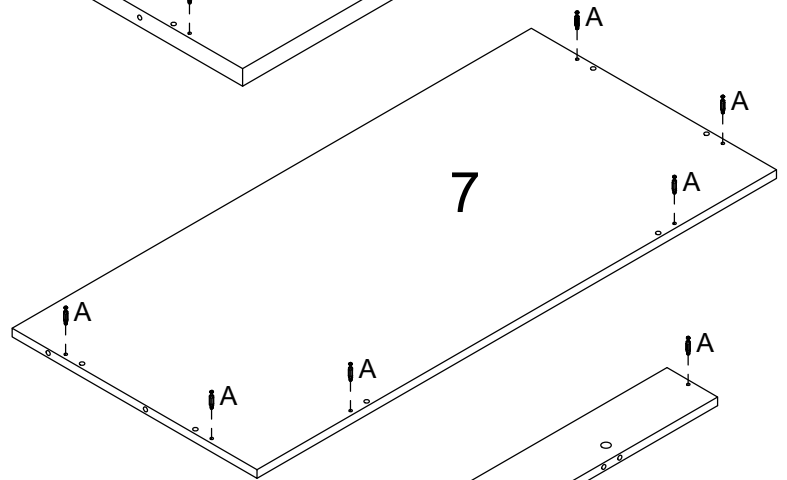
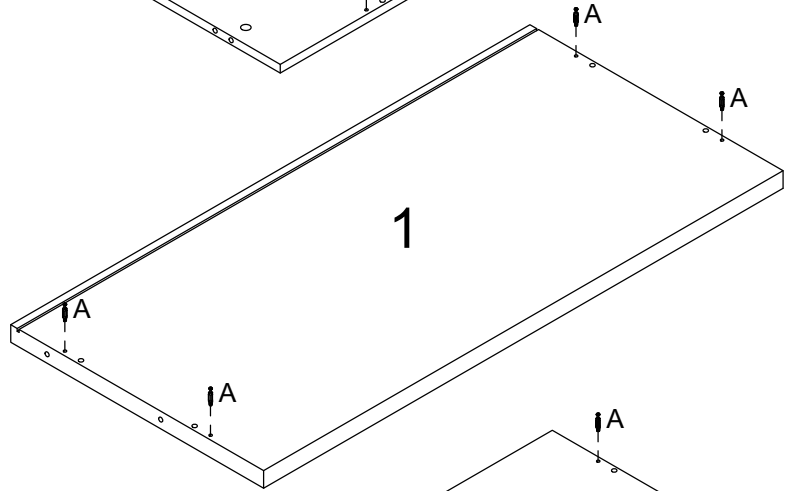
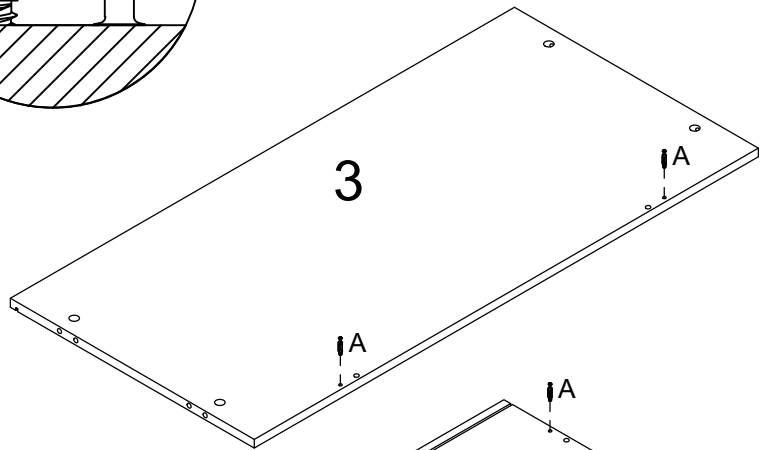
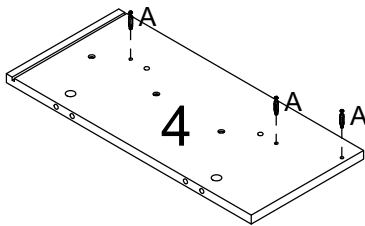
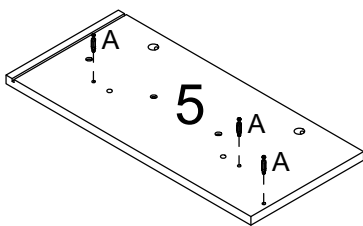
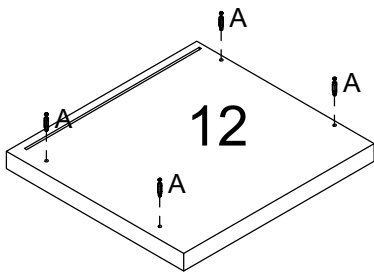
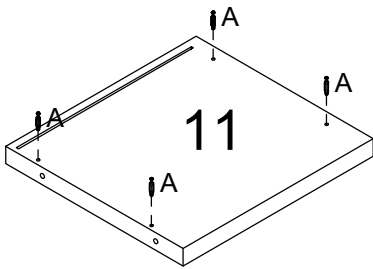
STEP 1



STEP 2

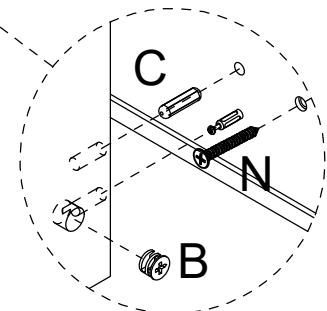
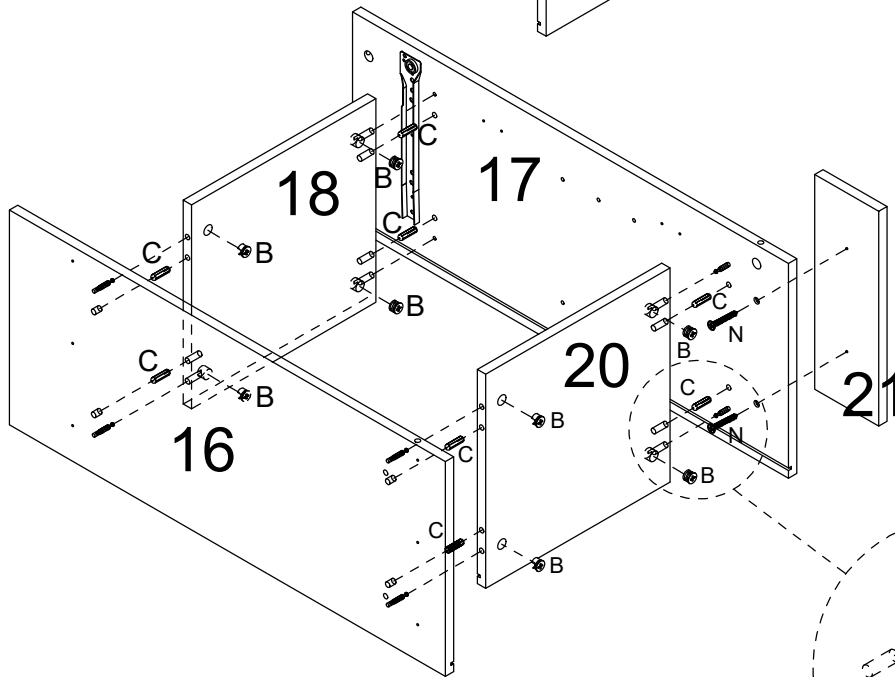
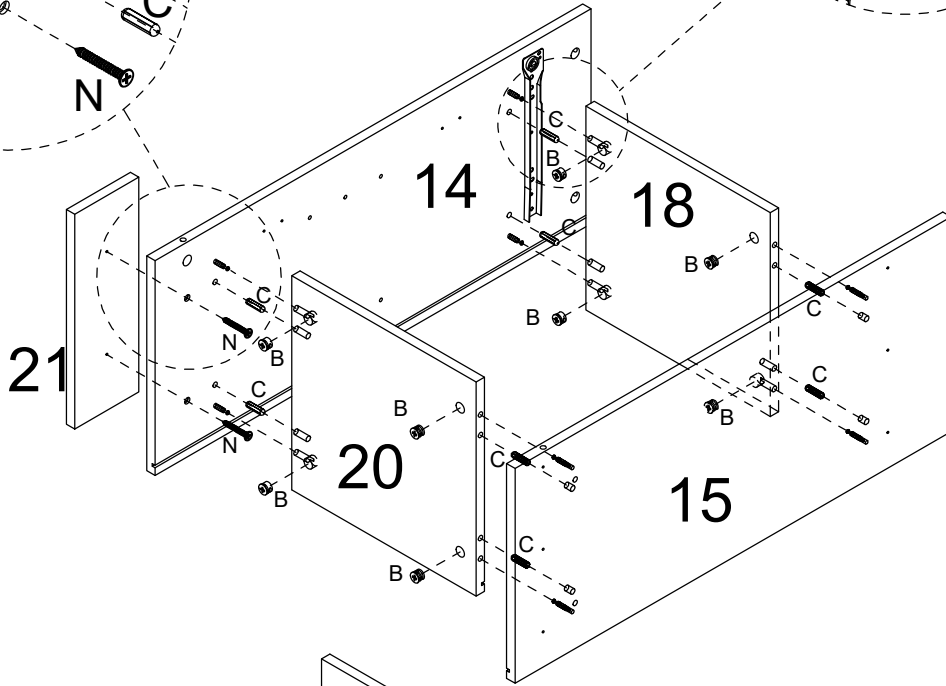
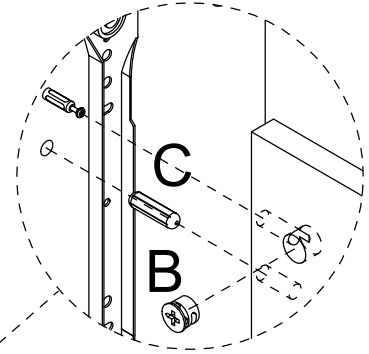
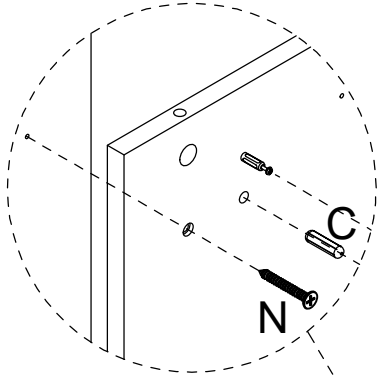
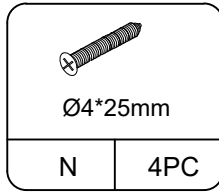
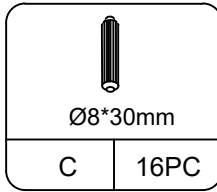
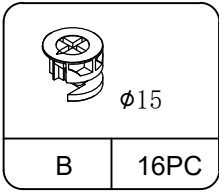


x2PCS

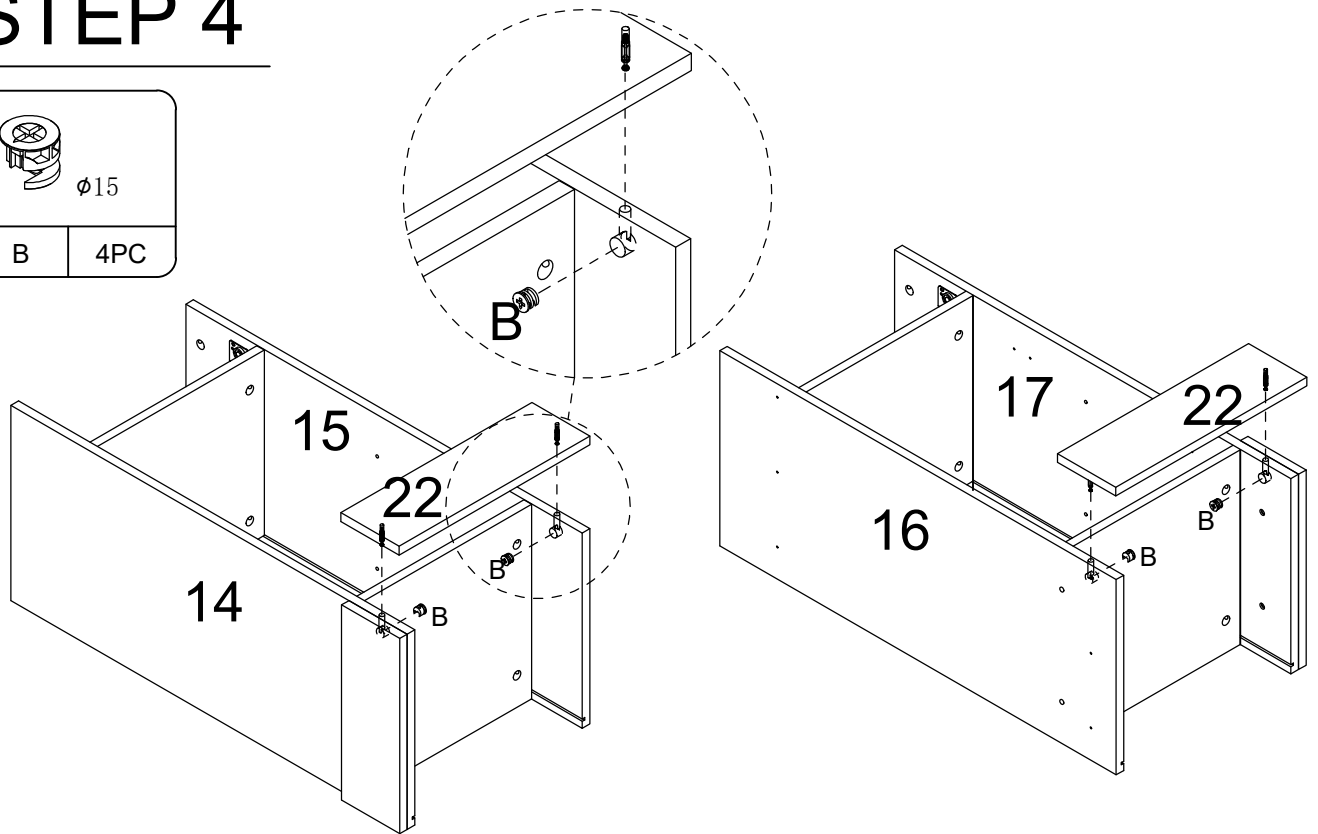
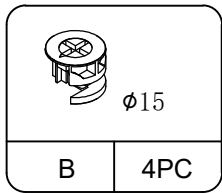


x2PCS

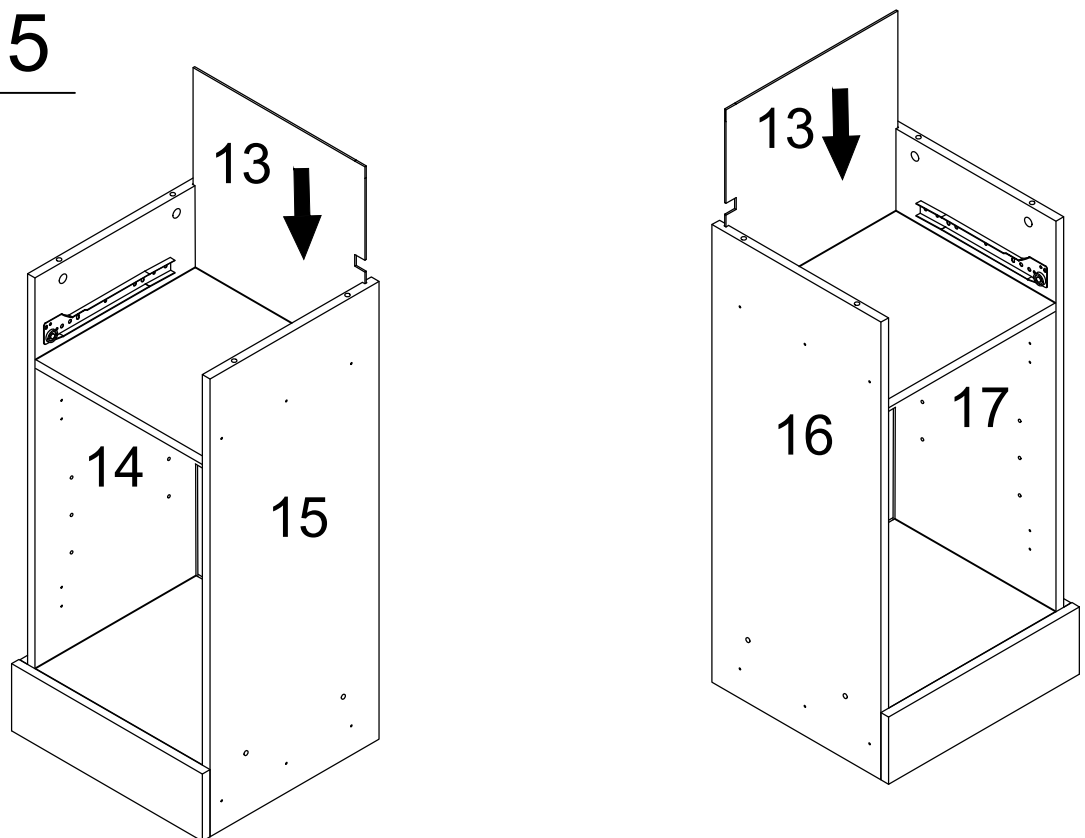
STEP 3



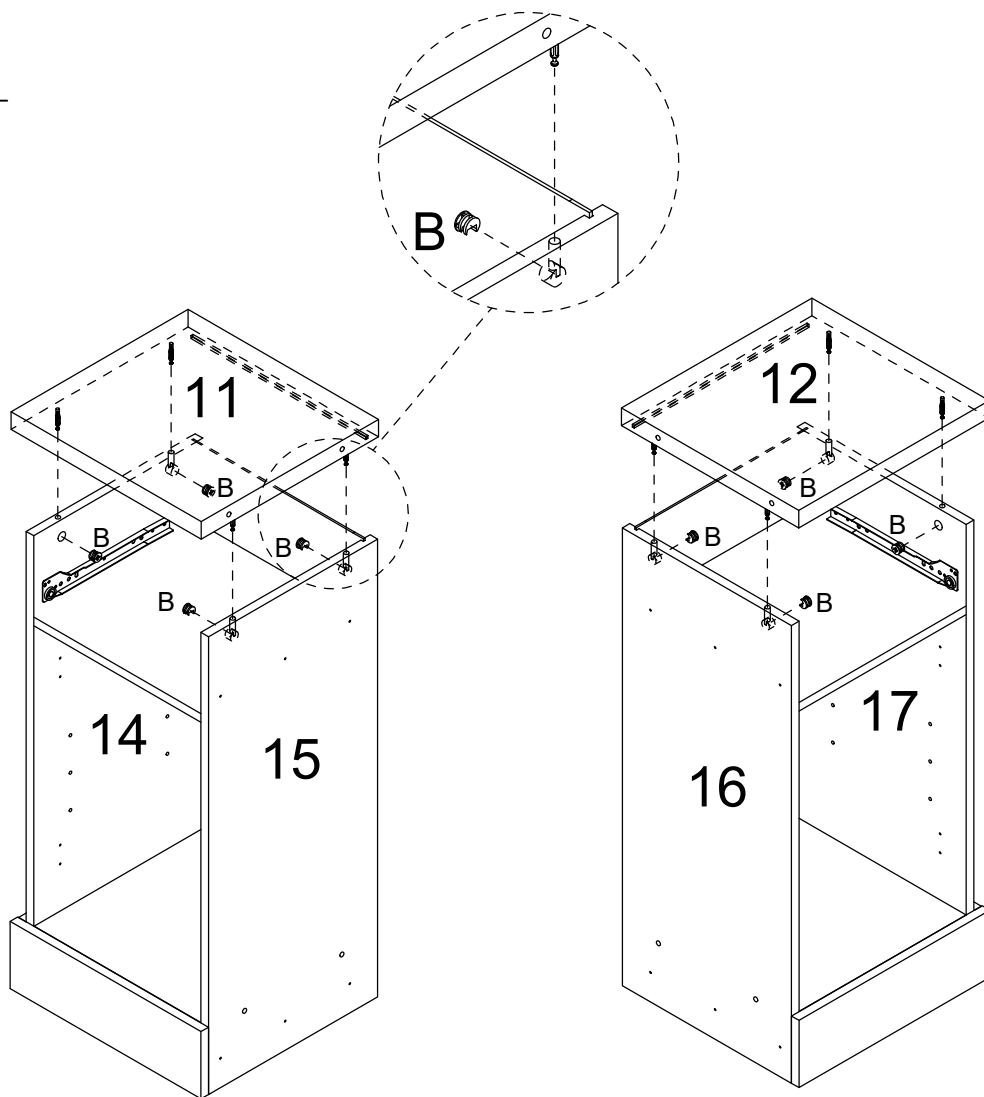
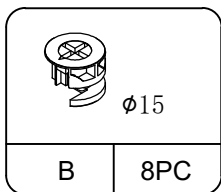
STEP 4



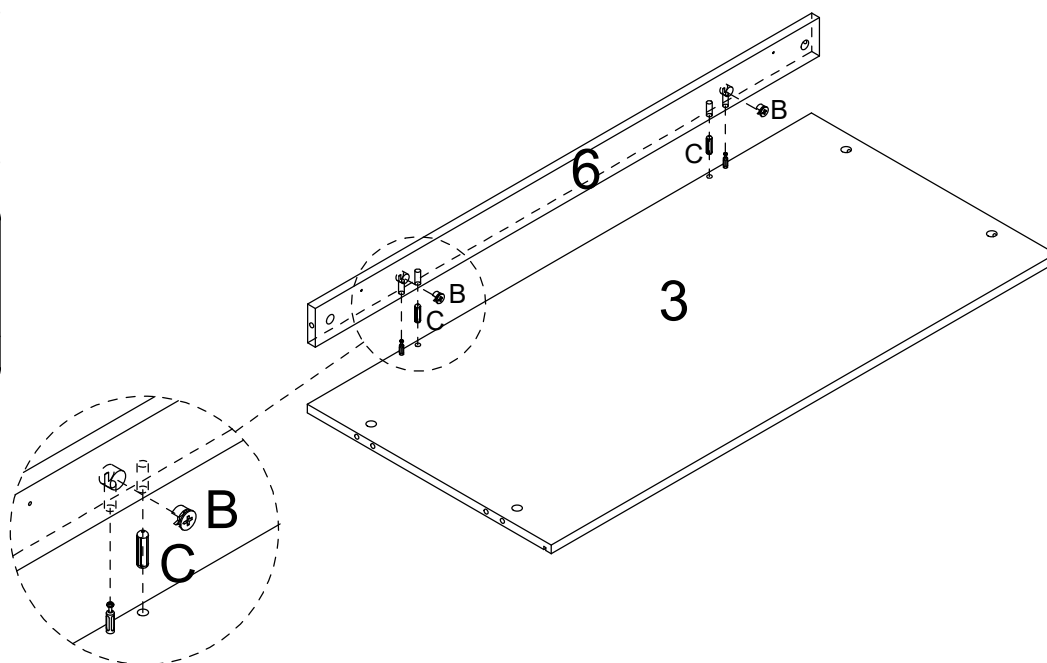
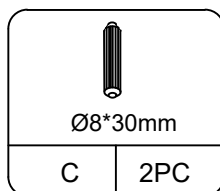
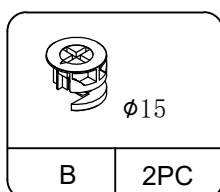
STEP 5



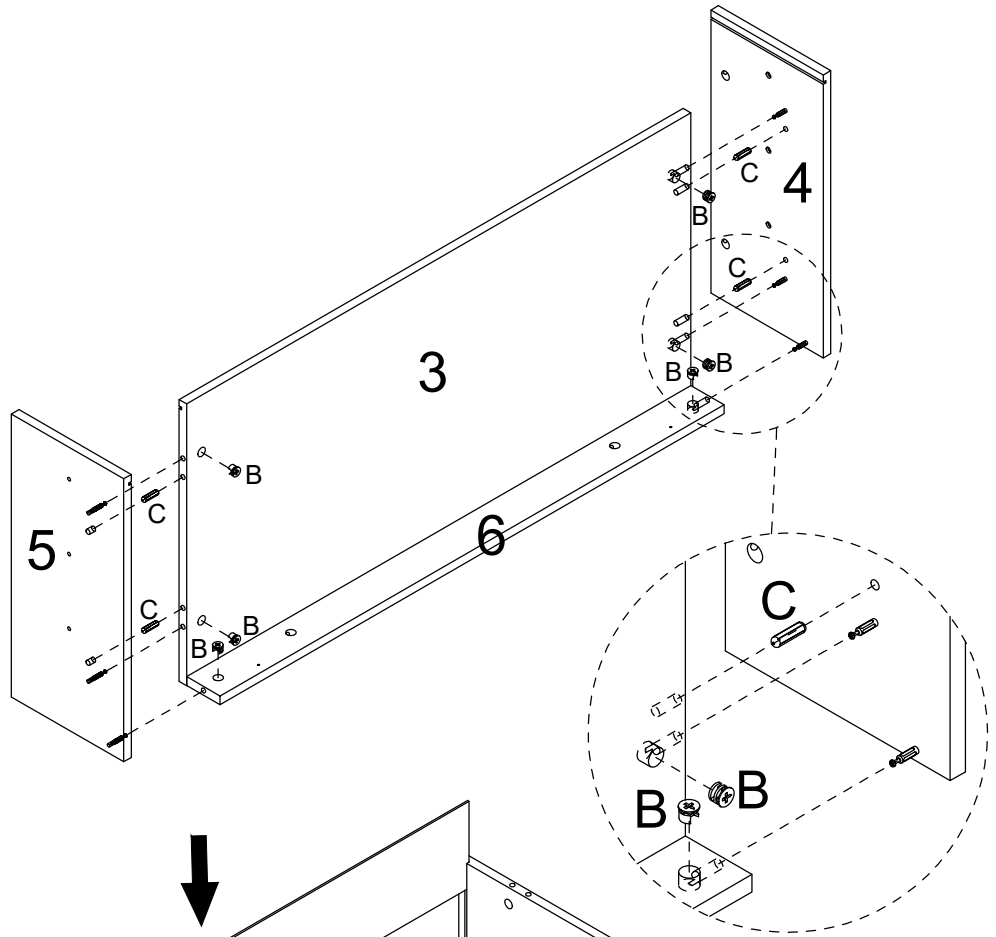
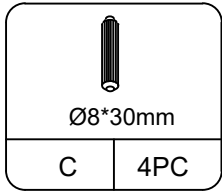
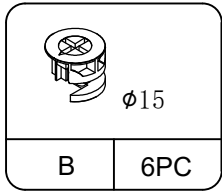
STEP 6



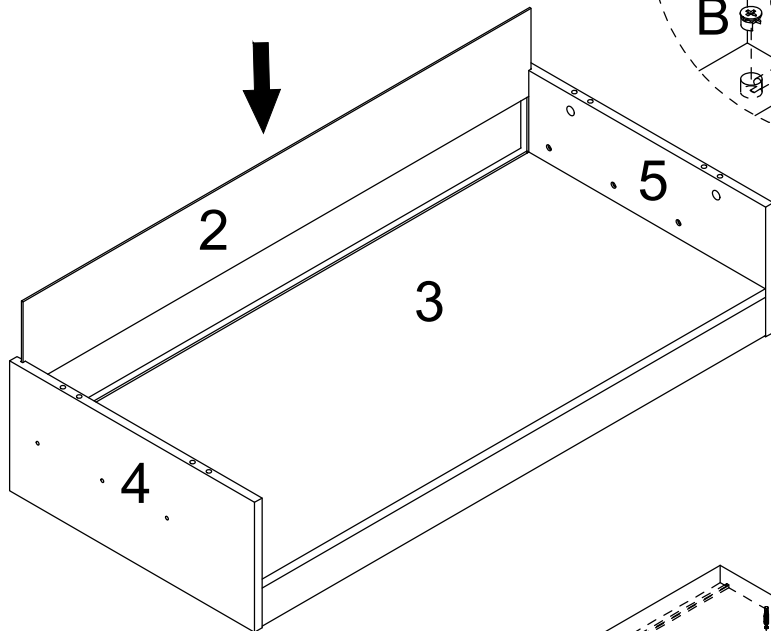
STEP 7



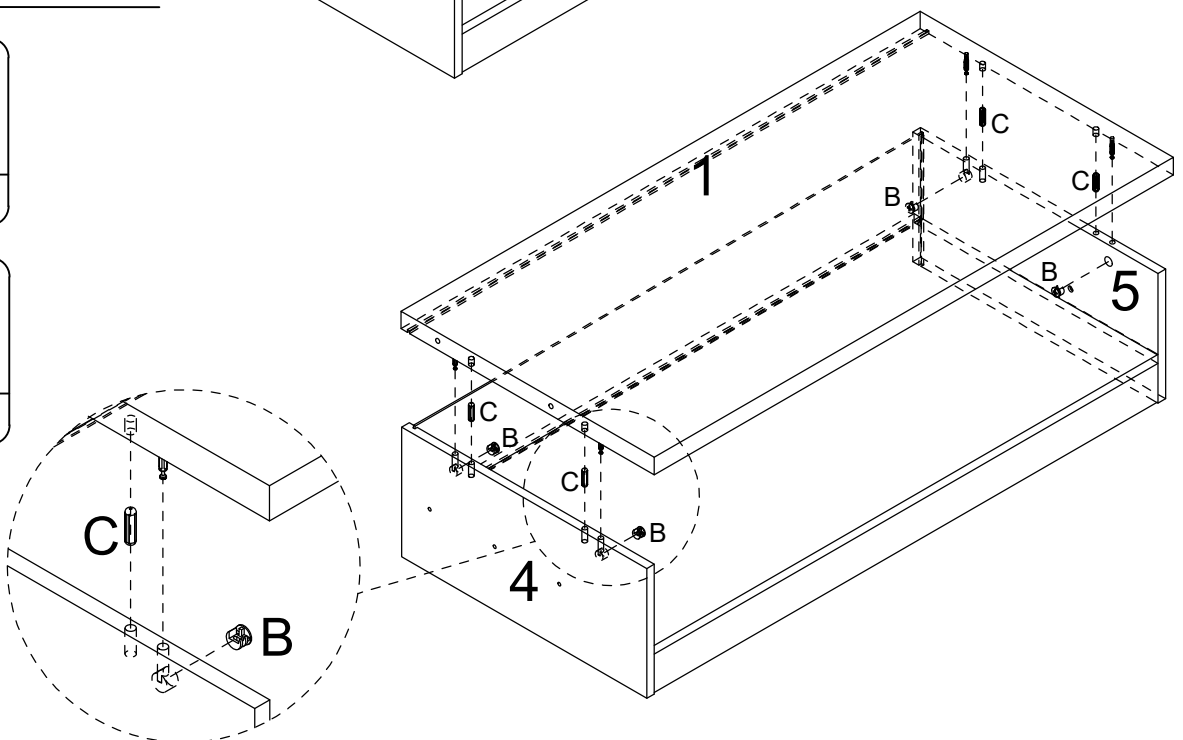
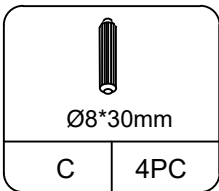
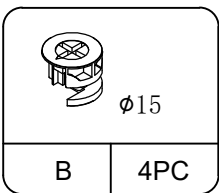
STEP 8



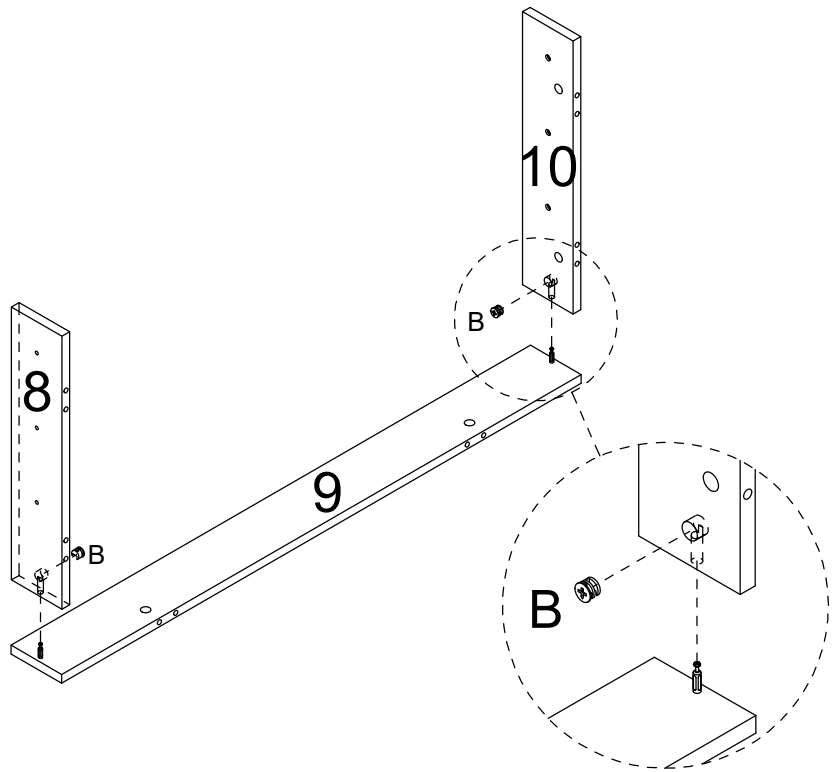
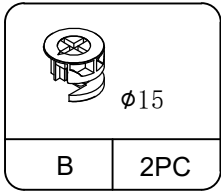
STEP 9



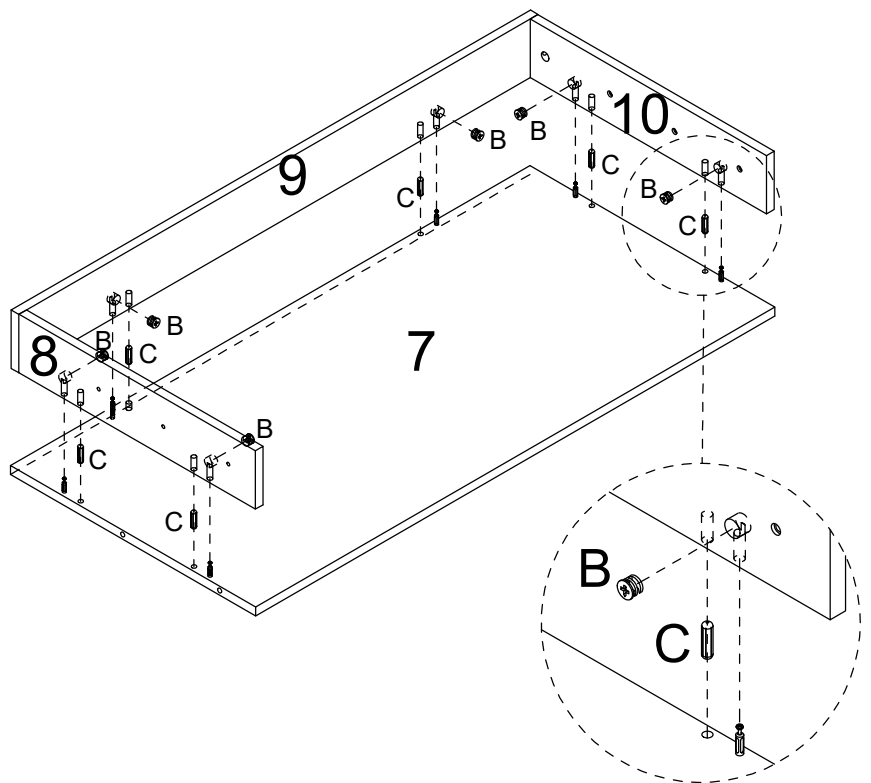
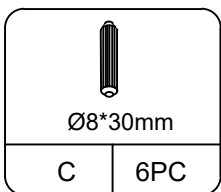
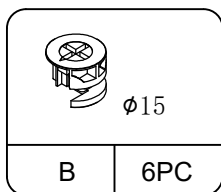
STEP 10



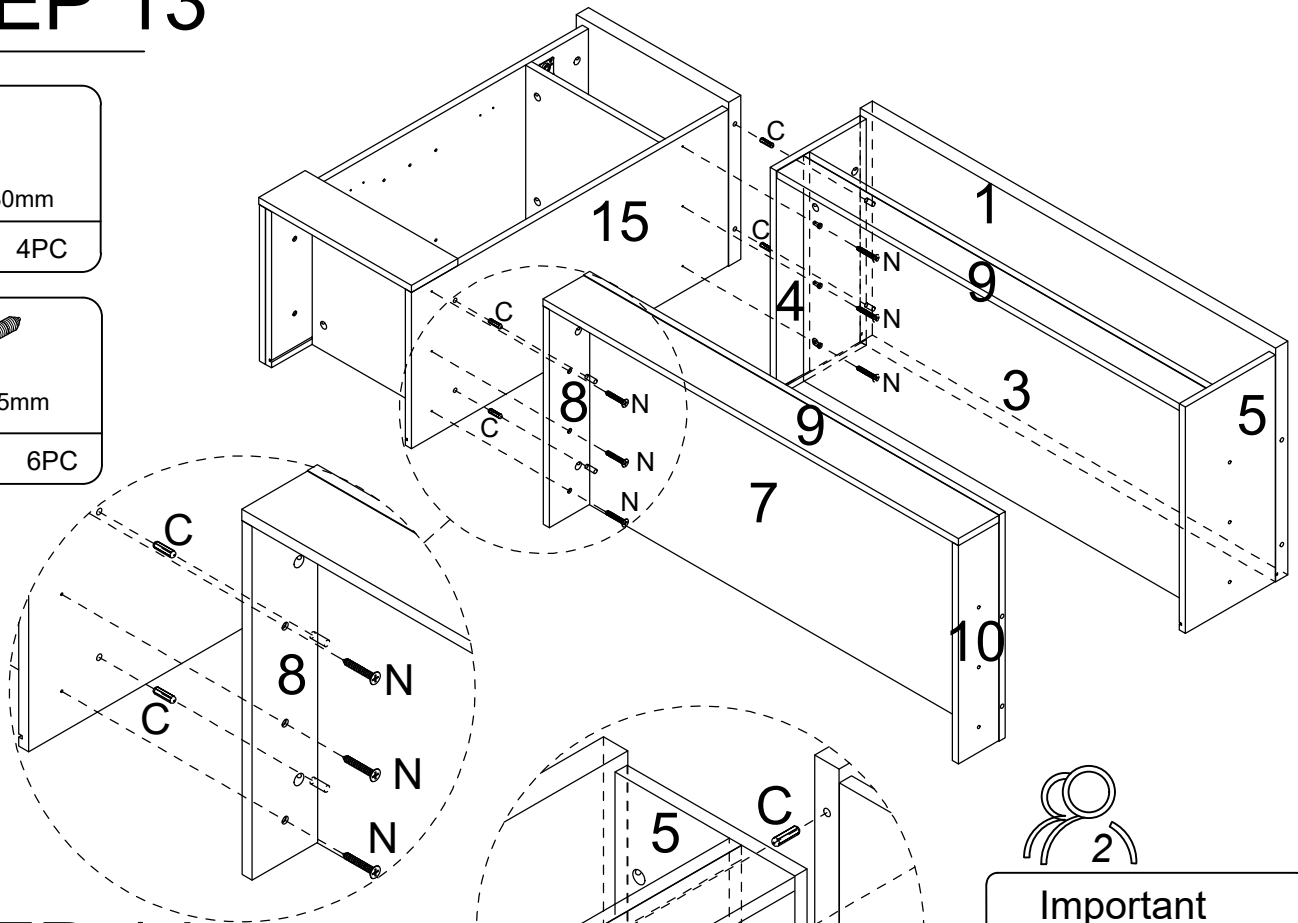
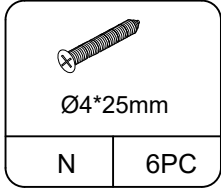
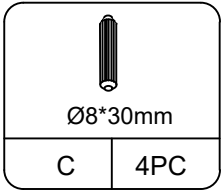
STEP 11



STEP 12

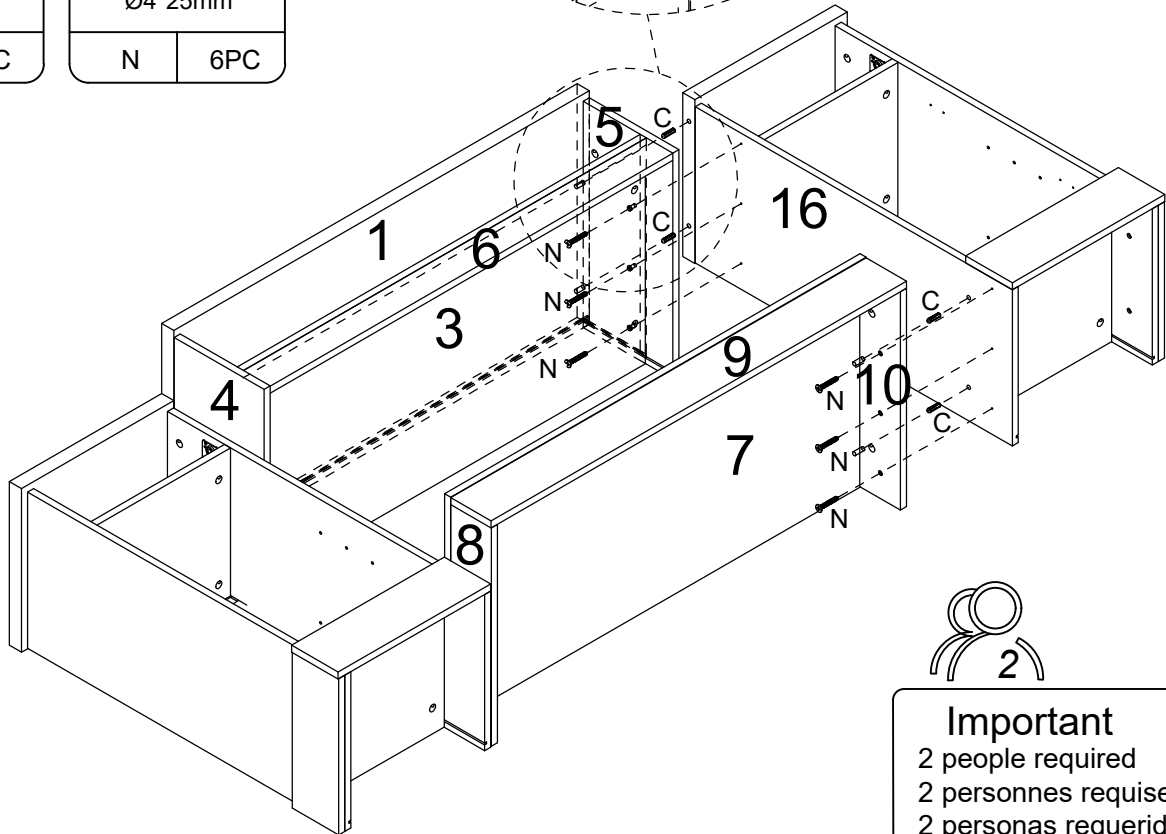
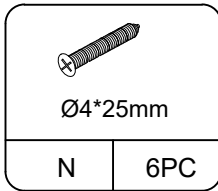
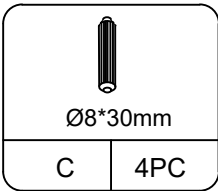


STEP 13



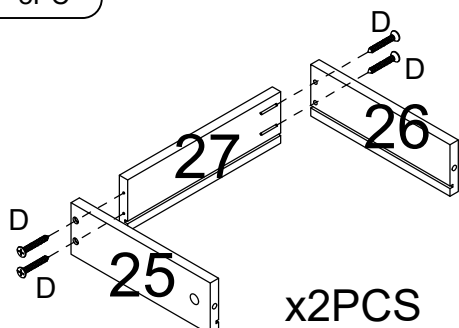
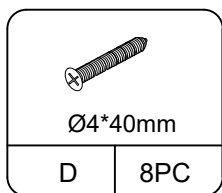
Important
 2 people required
 2 personnes requises
 2 personas requeridas

STEP 14

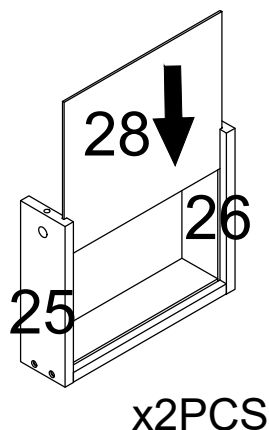


Important
 2 people required
 2 personnes requises
 2 personas requeridas

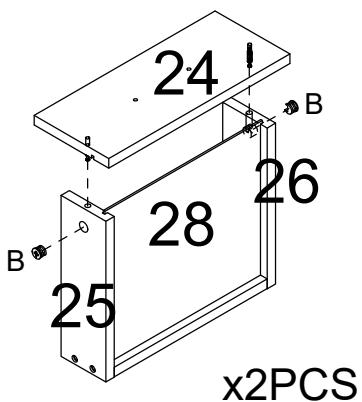
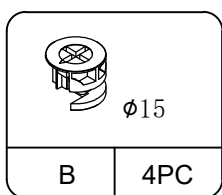
STEP 15



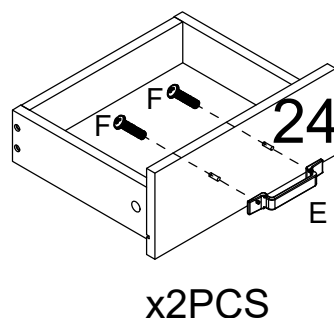
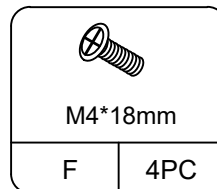
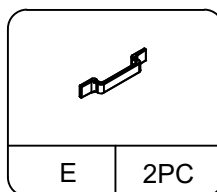
STEP 16



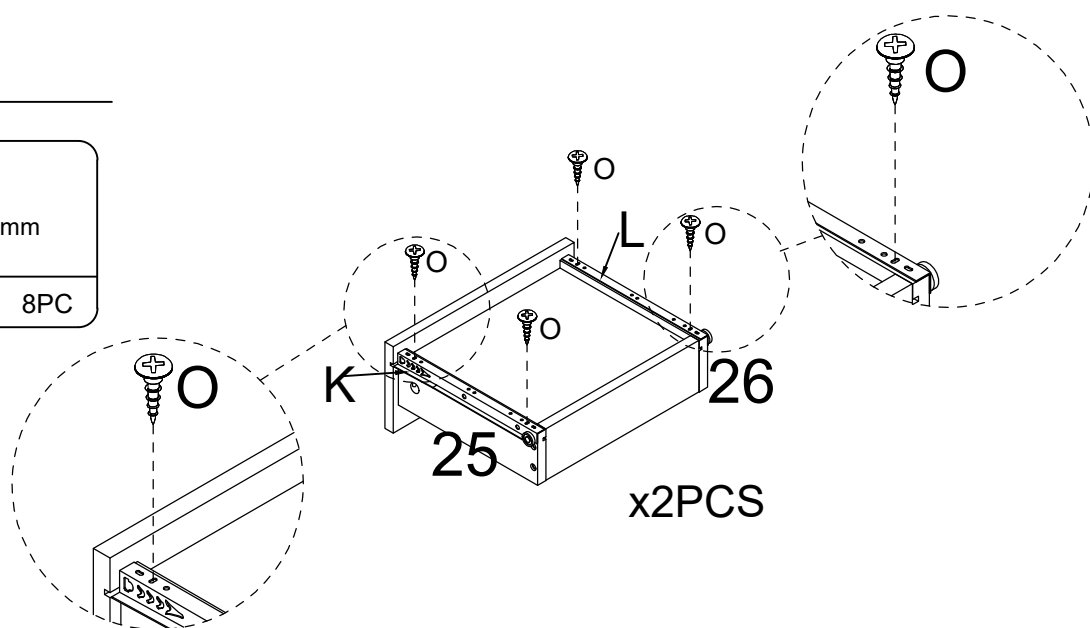
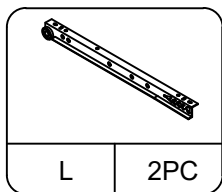
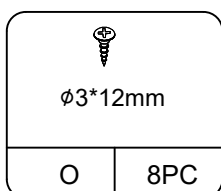
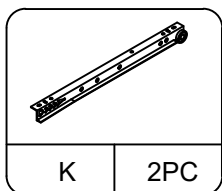
STEP 17



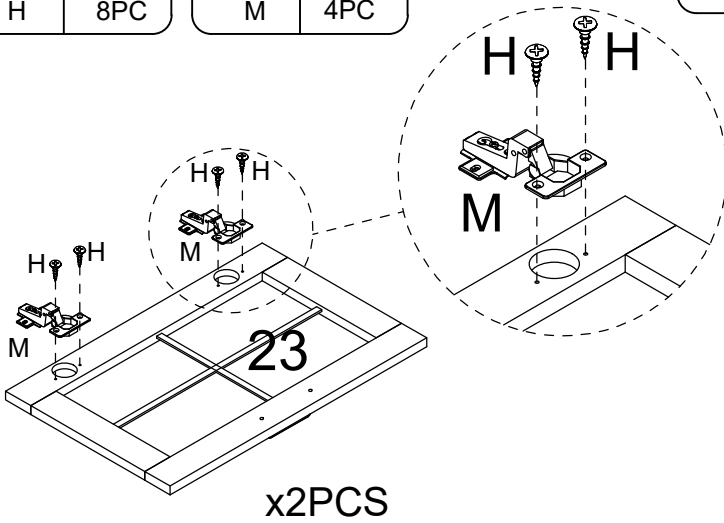
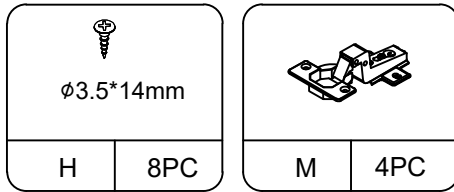
STEP 18



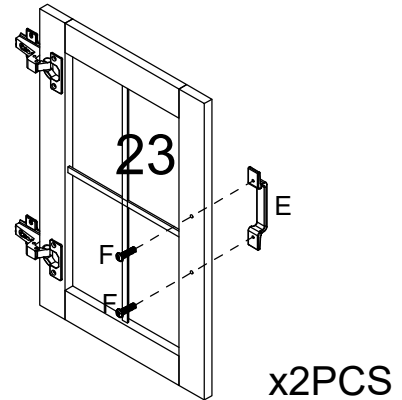
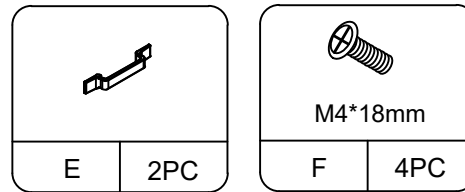
STEP 19



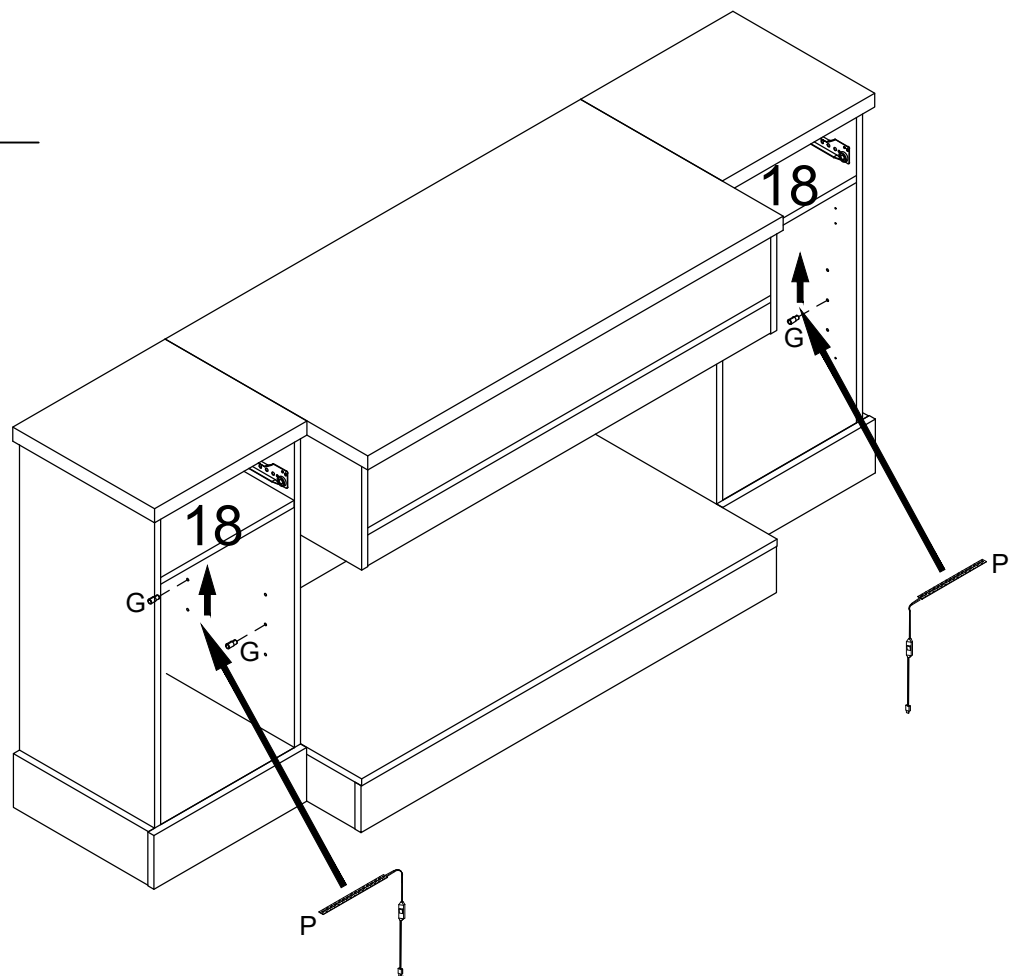
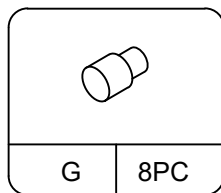
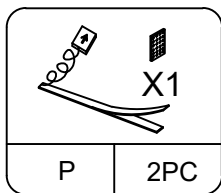
STEP 20



STEP 21



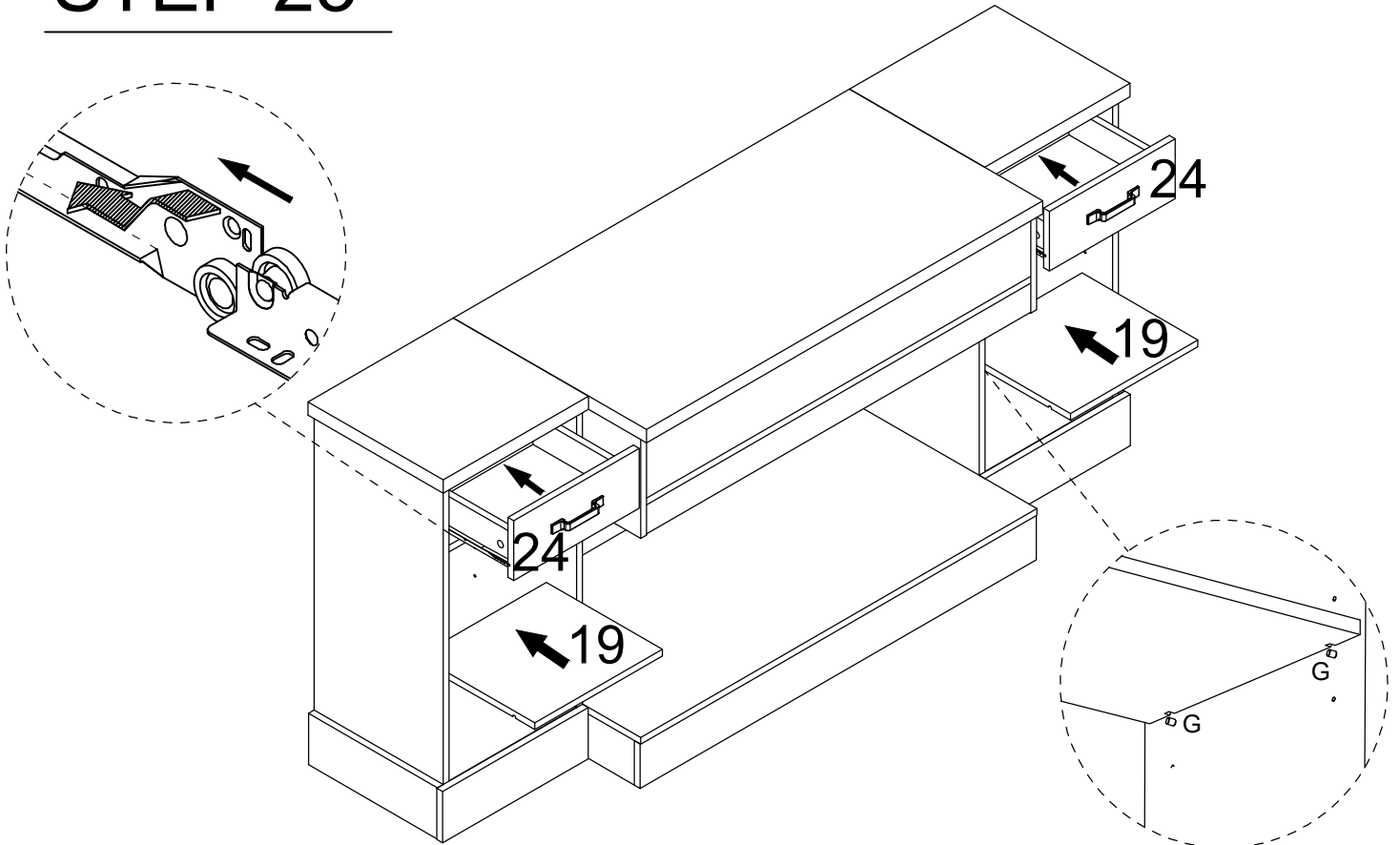
STEP 22



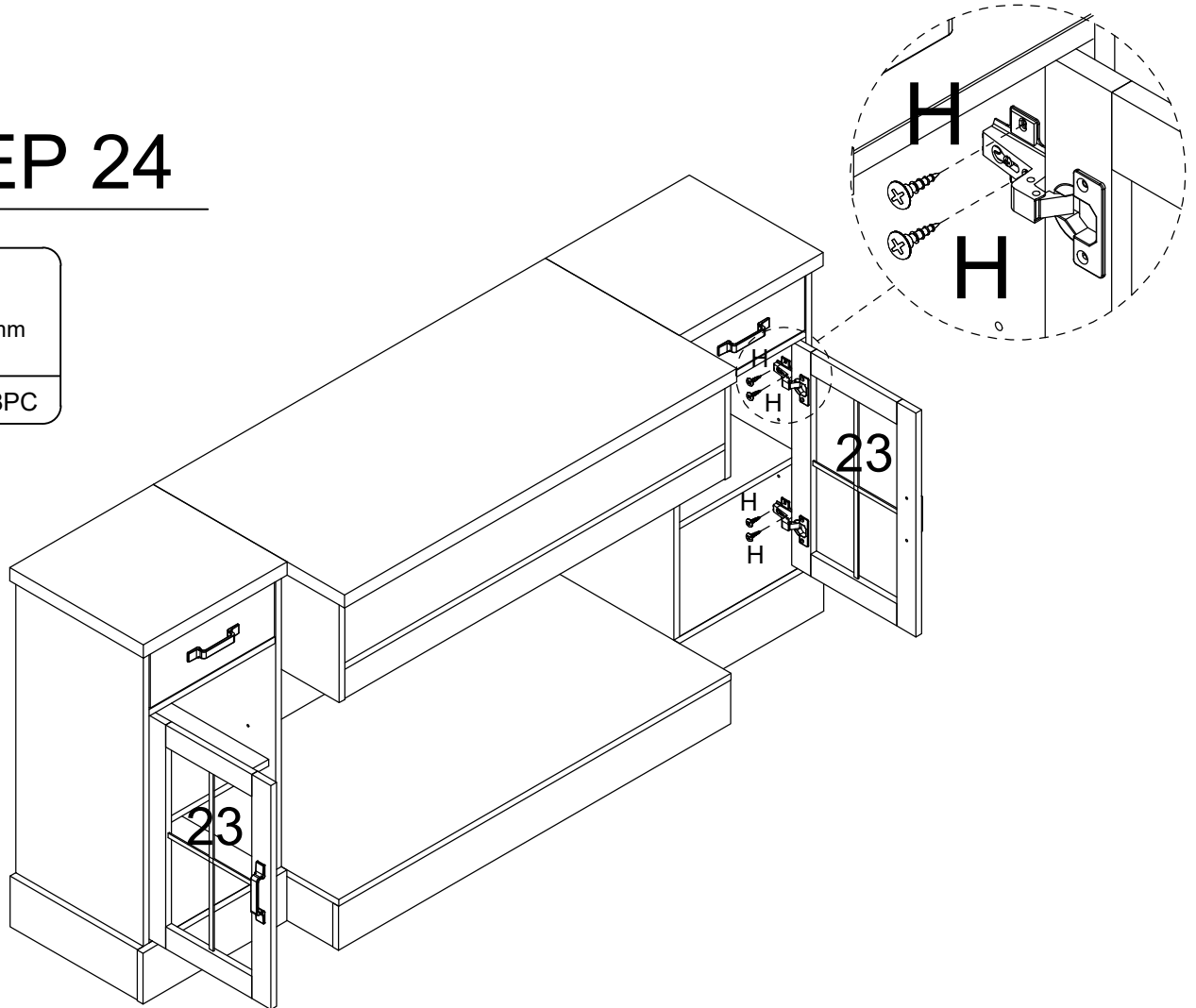
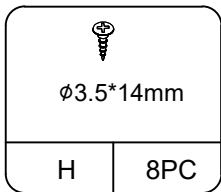
HOW TO INSTALL

1. Installation surface must be smooth, clean and dry
2. Strip can be DIY cut following the cutting lines. Please make sure the length could be connected to the socket.
3. Unroll the light strip, remove BLUE release liner and stick to the surface. The LED strip lights come rolled on a spool.
4. Connect LED strip light and turn on the light.





STEP 23



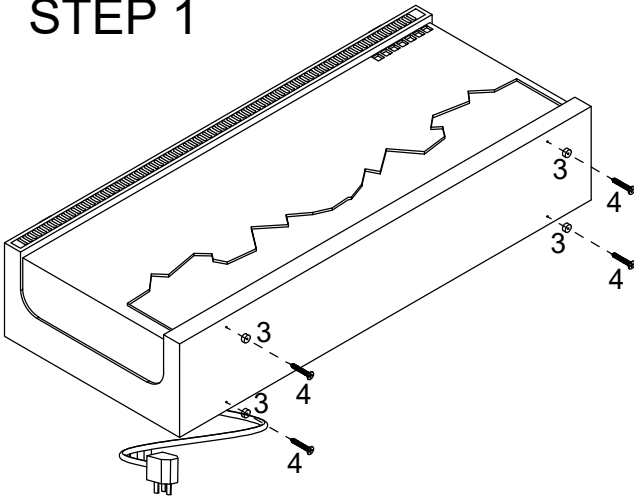
STEP 24



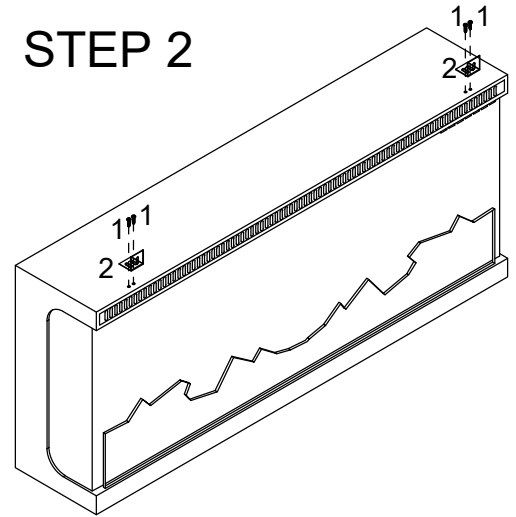
STEP 25

PART LIST	FIGURE	QUANTITY
1		8PC
2		2PC
3		4PC
4		4PC

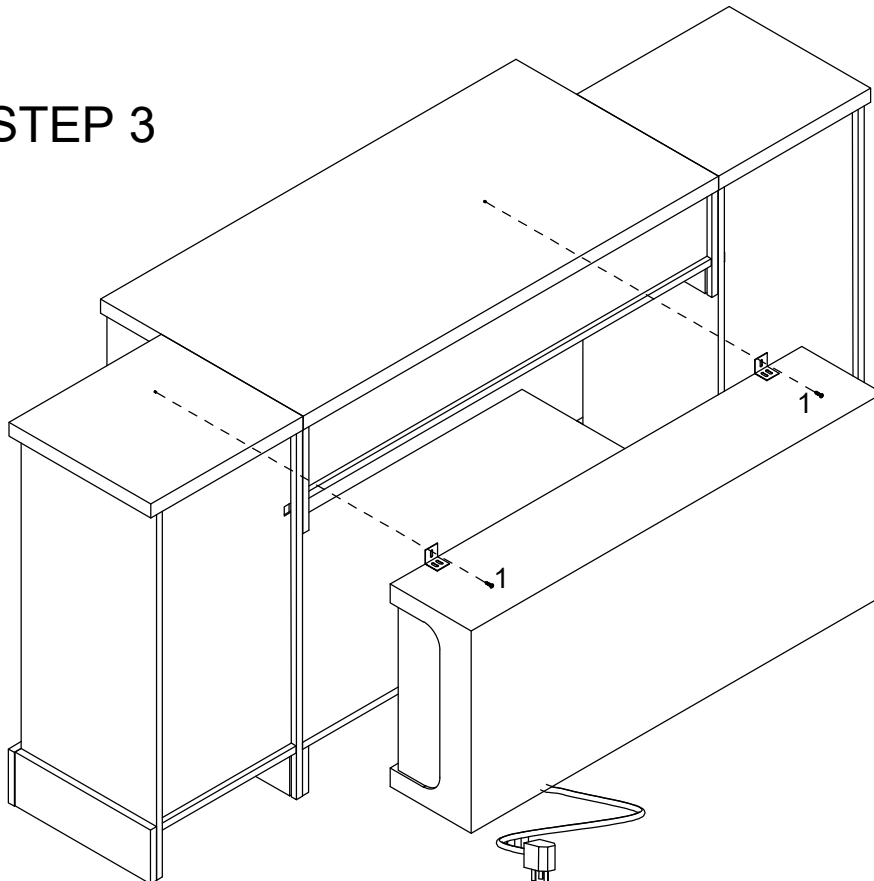
STEP 1



STEP 2

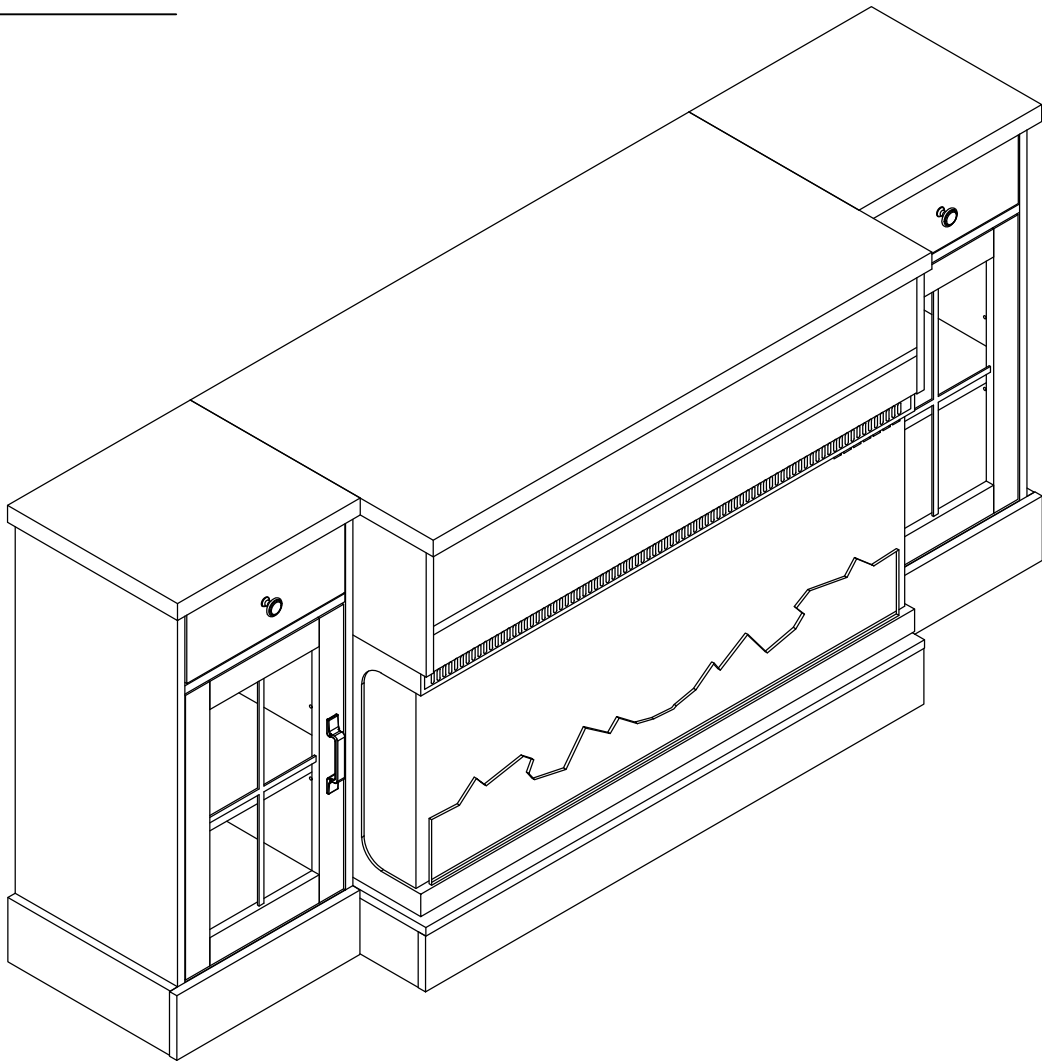


STEP 3

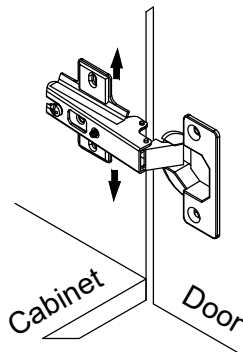
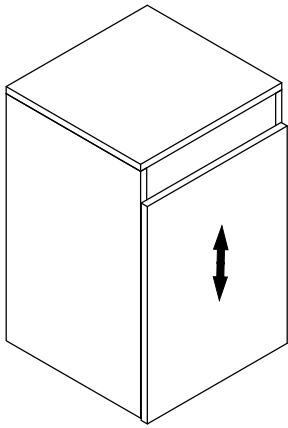
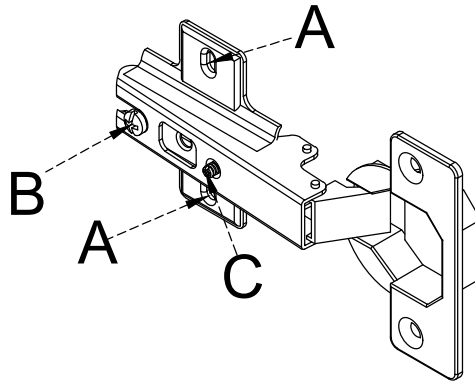


Important
 2 people required
 2 personnes requises
 2 personas requeridas

STEP 26

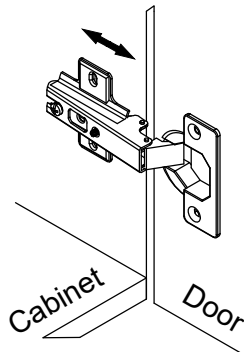
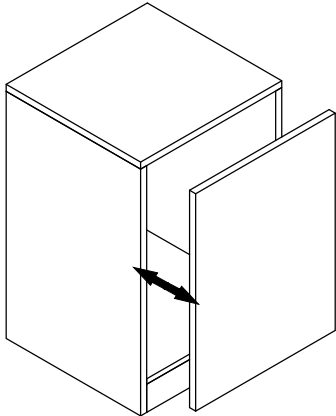


Door Hinge Adjustment Instructions



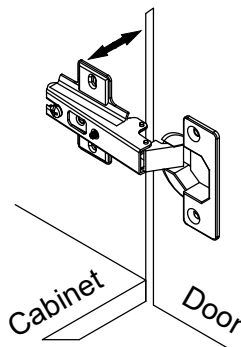
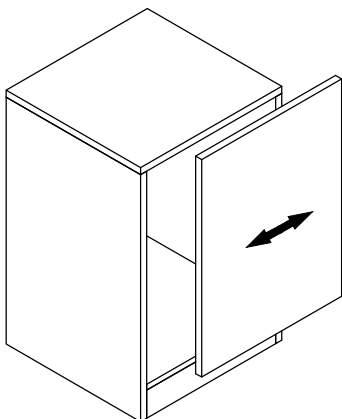
To adjust the vertical height.

Loosen the two screws "A" on hinges, Usually in slotted holes which allows you to adjust up or down by a few mm Then tighten back .



To adjust depth.

Loosen screw "B" and adjust door, if the door can not be adjusted, please loosen screw "C", then try again. Tighten screw "B" and "C"



To adjust side ways.

Turning the screw "C" on BOTH hinges on each door.