


Assembly Instruction

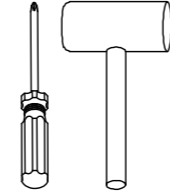
TV Stand

00:30

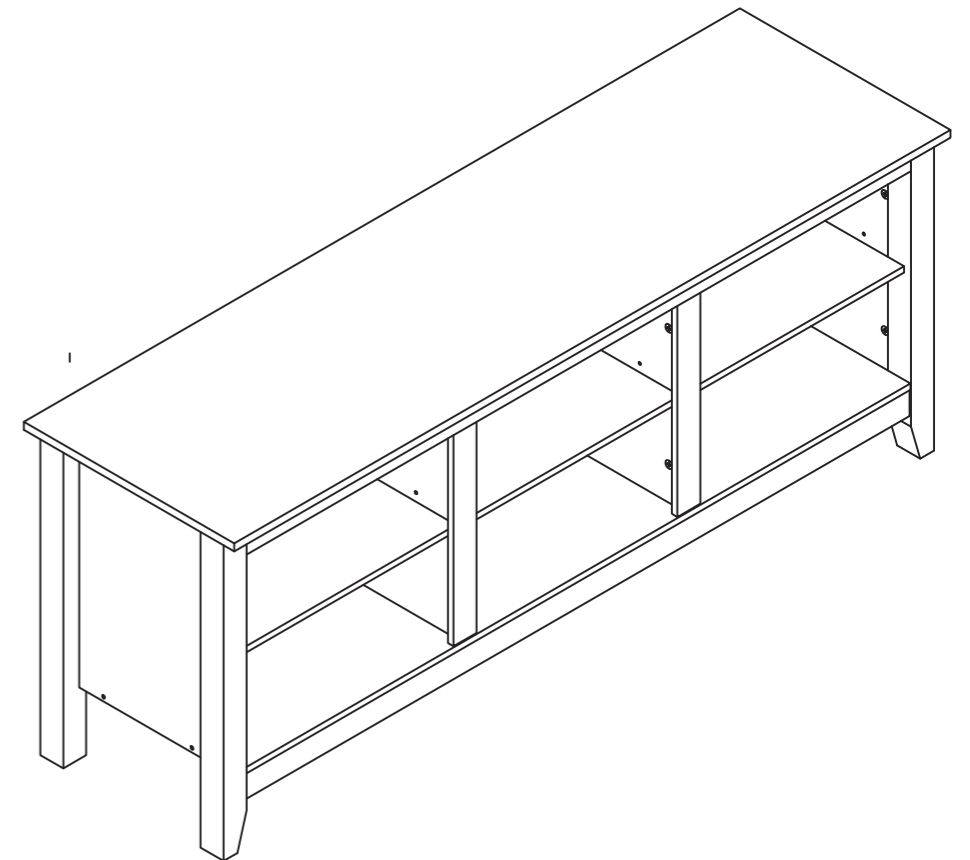
Approx. 30 minutes



Recomm. 2 Persons



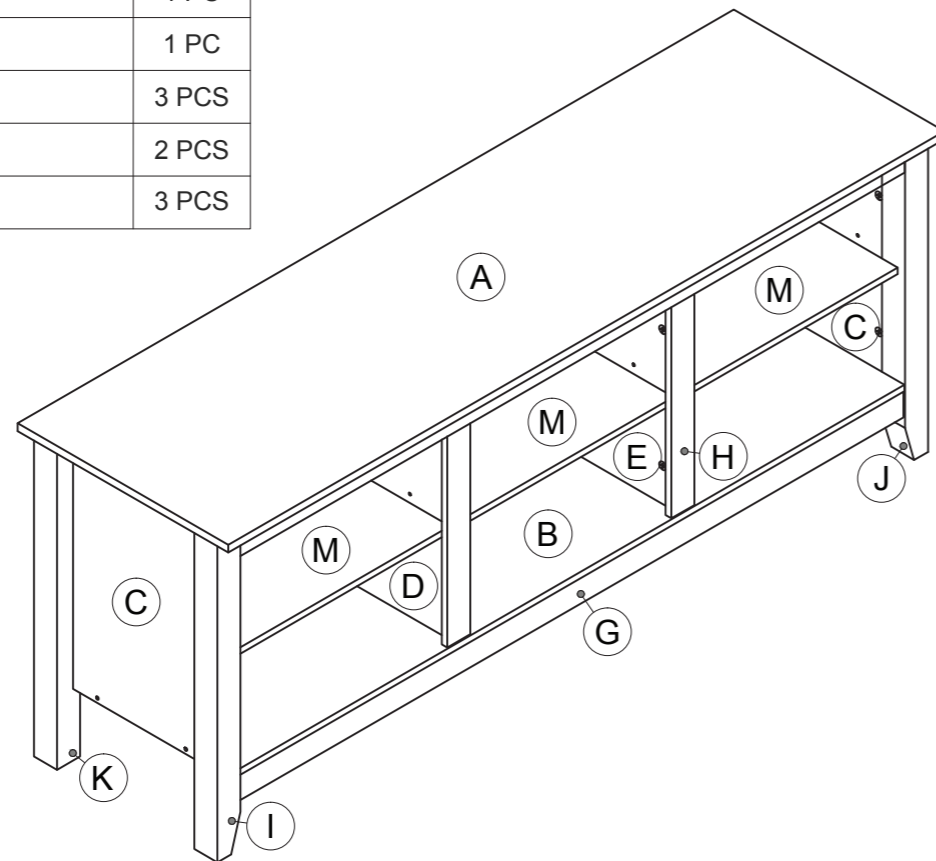
Tools Required



HARDWARE & PARTS LIST

NO	PARTS LIST	QTY
A	TOP PANEL	1 PC
B	BOTTOM PANEL	1 PC
C	SIDE PANEL	2 PCS
D	CENTER LEFT PANEL	1 PC
E	CENTER RIGHT PANEL	1 PC
F	TOP BAR	1 PC
G	BOTTOM BAR	1 PC
H	CENTER BAR	2 PCS
I	FRONT LEFT LEG	1 PC
J	FRONT RIGHT LEG	1 PC
K	BACK LEFT LEG	1 PC
L	BACK RIGHT LEG	1 PC
M	SHELF PANEL	3 PCS
N	LEG SUPPORT	2 PCS
O	BACK PANEL	3 PCS

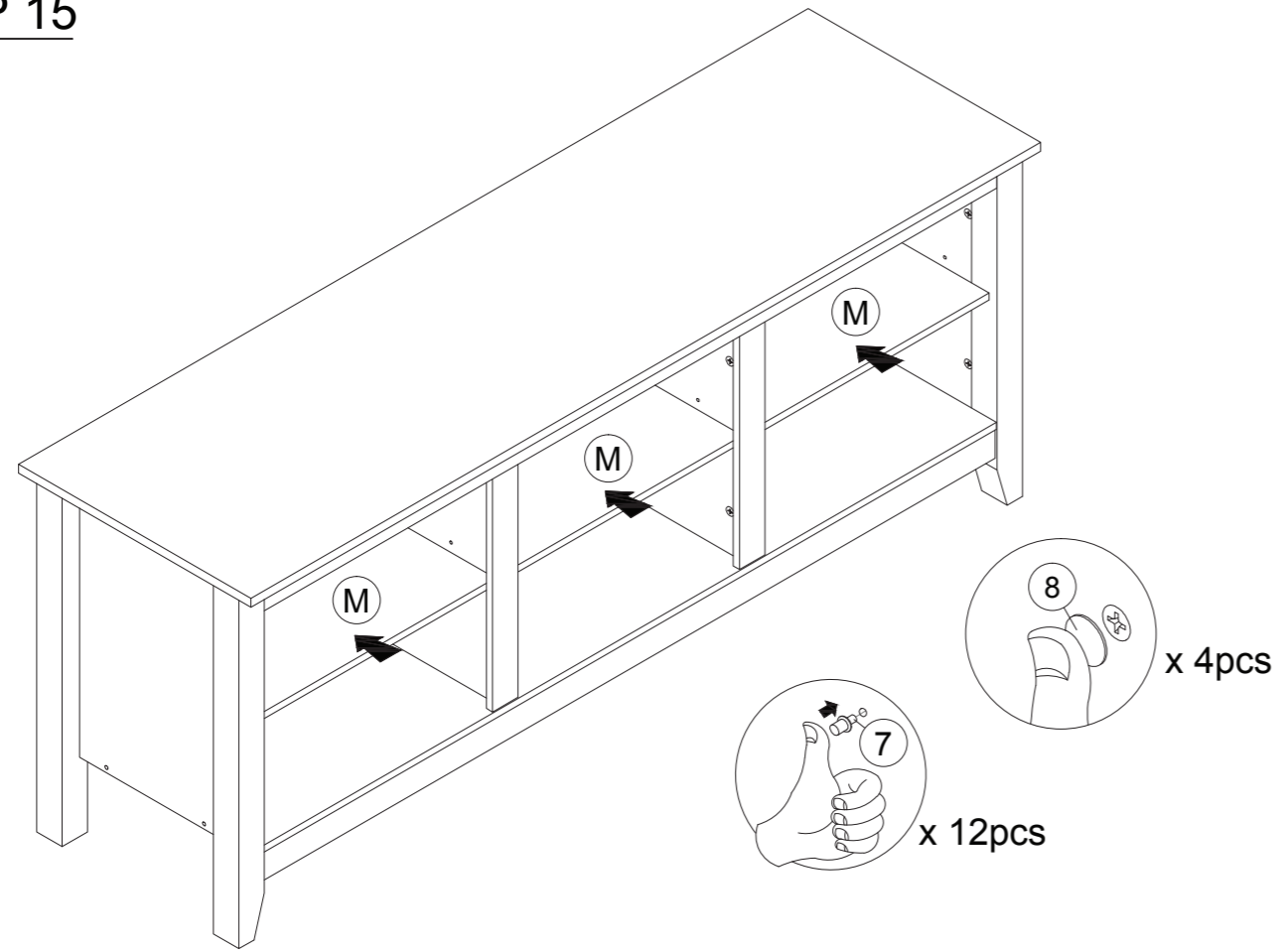
NO	HARDWARE LIST	QTY
1	CAM SCREW	28 PCS
2	CAM LOCK - 12MM	24 PCS
3	CAM LOCK - 9MM	4 PCS
4	38MM SCREW	12 PCS
5	WOODEN DOWEL	12 PCS
6	NAIL LEG	8 PCS
7	SHELF SUPPORT	12 PCS
8	STICKER	4 PCS



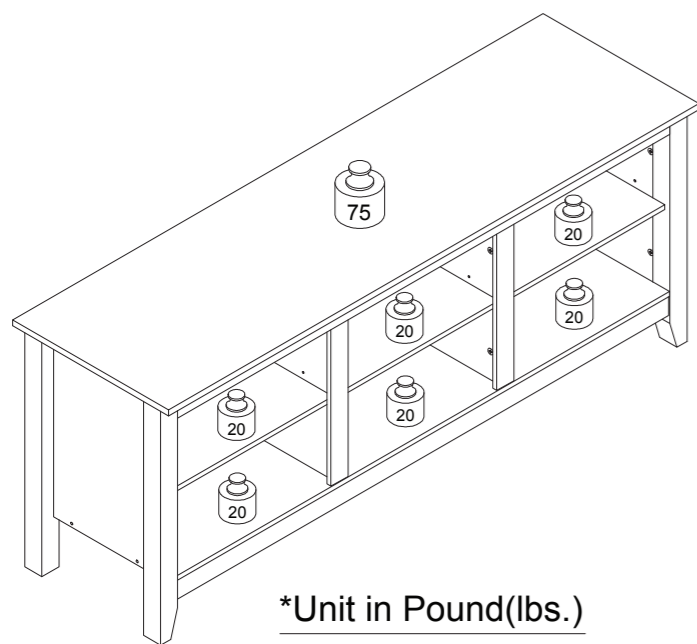
USEFUL HINTS BEFORE YOU START:

1. Read each step carefully before starting.
2. It is important that each step is performed in correct order to avoid difficulties.
3. Identify, sort and count the parts before assembly.
4. Assemble your furniture on packaging cardboard to prevent scratch or damage.
5. Clean the product with mild cleanser using soft damped cloth. Do not use harsh or abrasive cleanser.
6. Using incompatible hardware might cause damage to product.

STEP 15



Recommended Maximum Weight

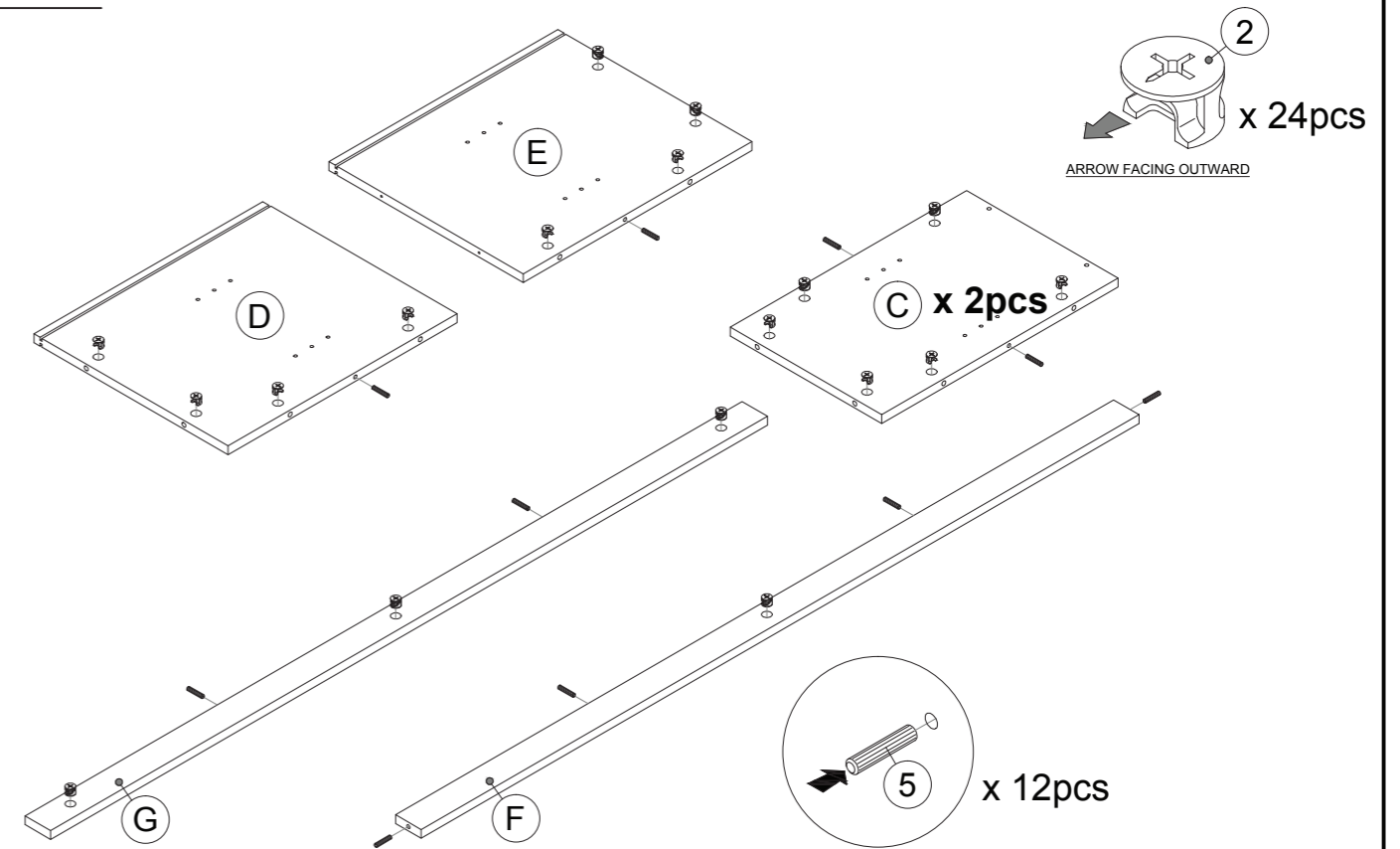


>This unit has been designed to support the maximum loads shown. Exceeding these load limits could cause sagging, instability, product collapse, and/or serious injury.

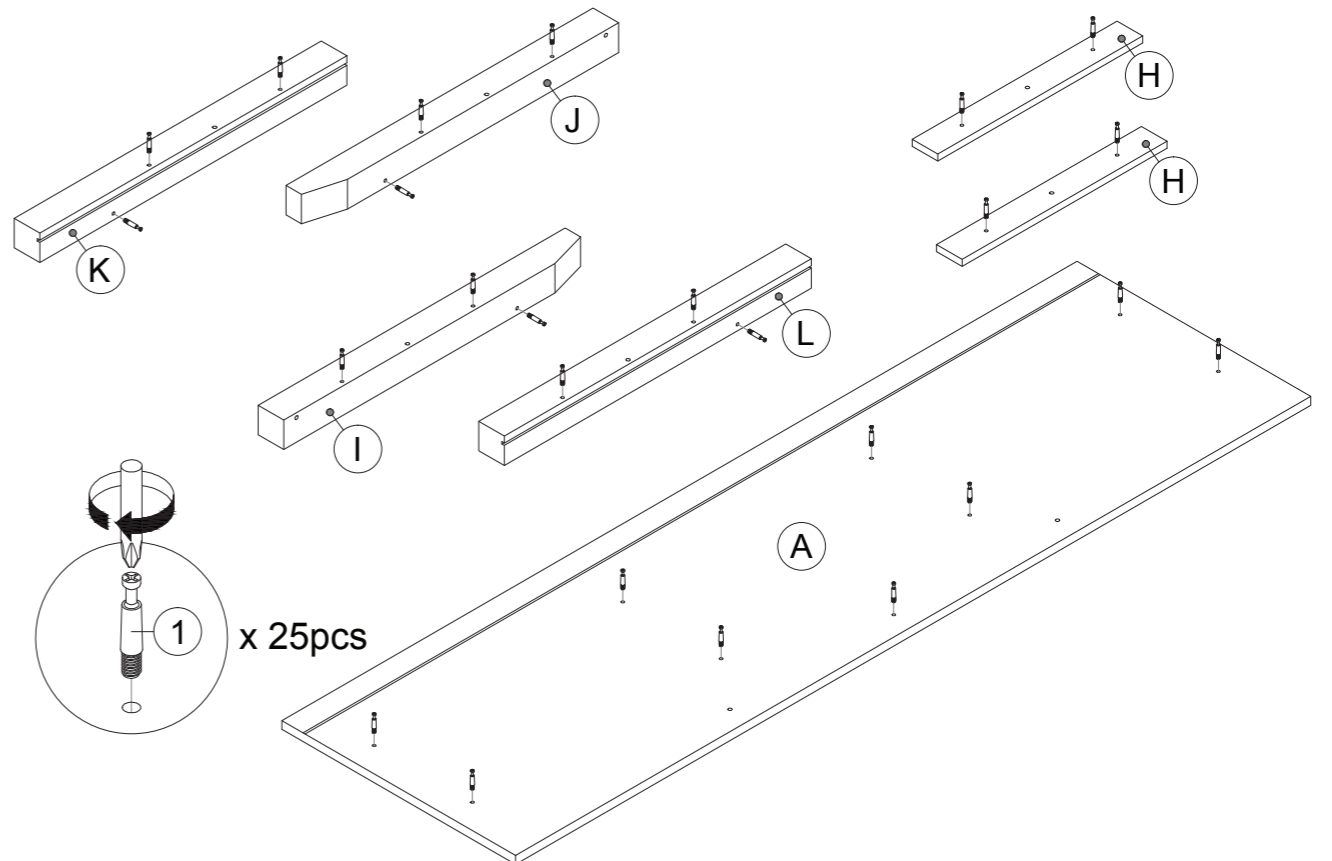
>DO NOT allow children to climb on unit.

> Put heavier items on lower shelves.

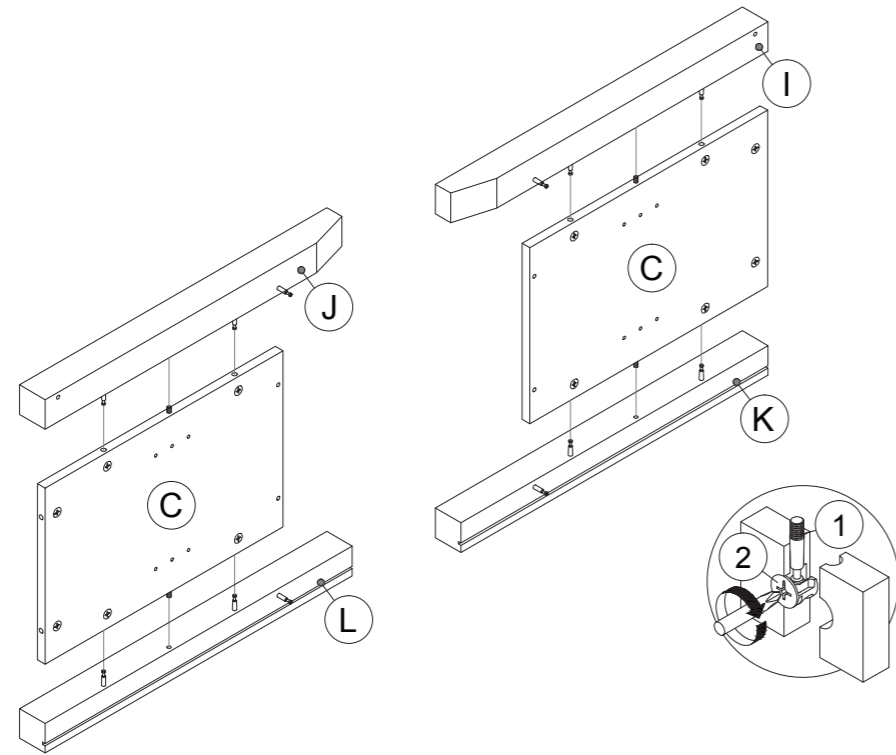
STEP 1



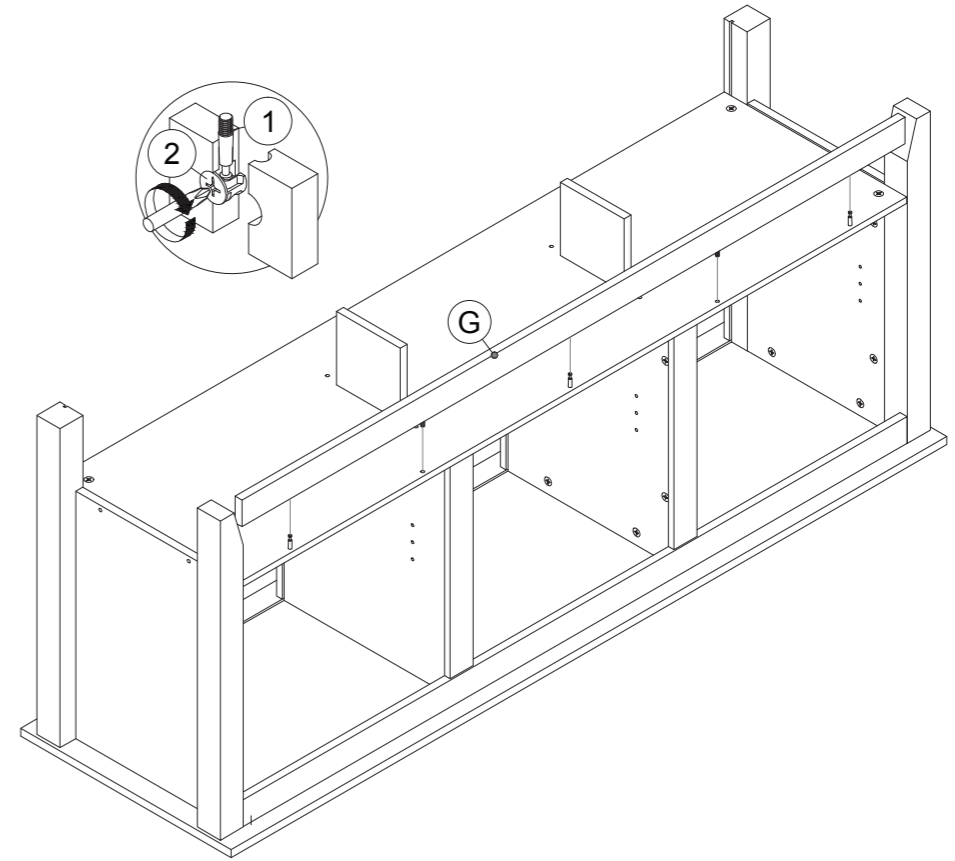
STEP 2



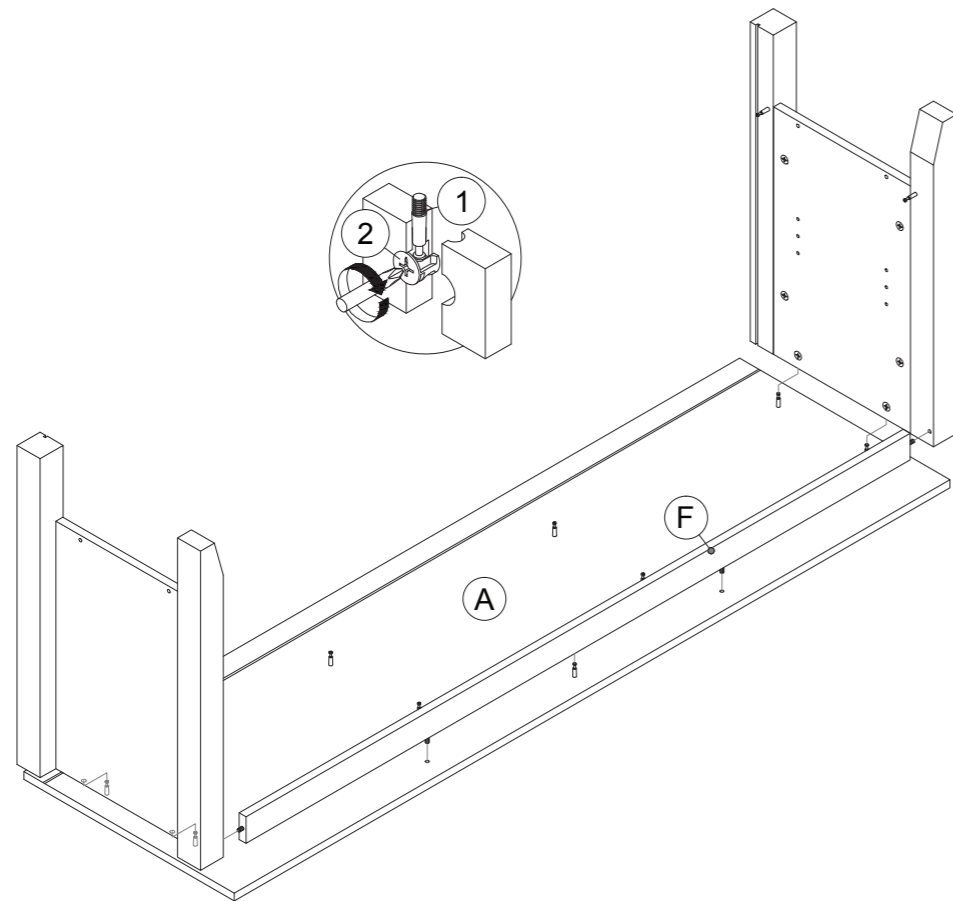
STEP 3



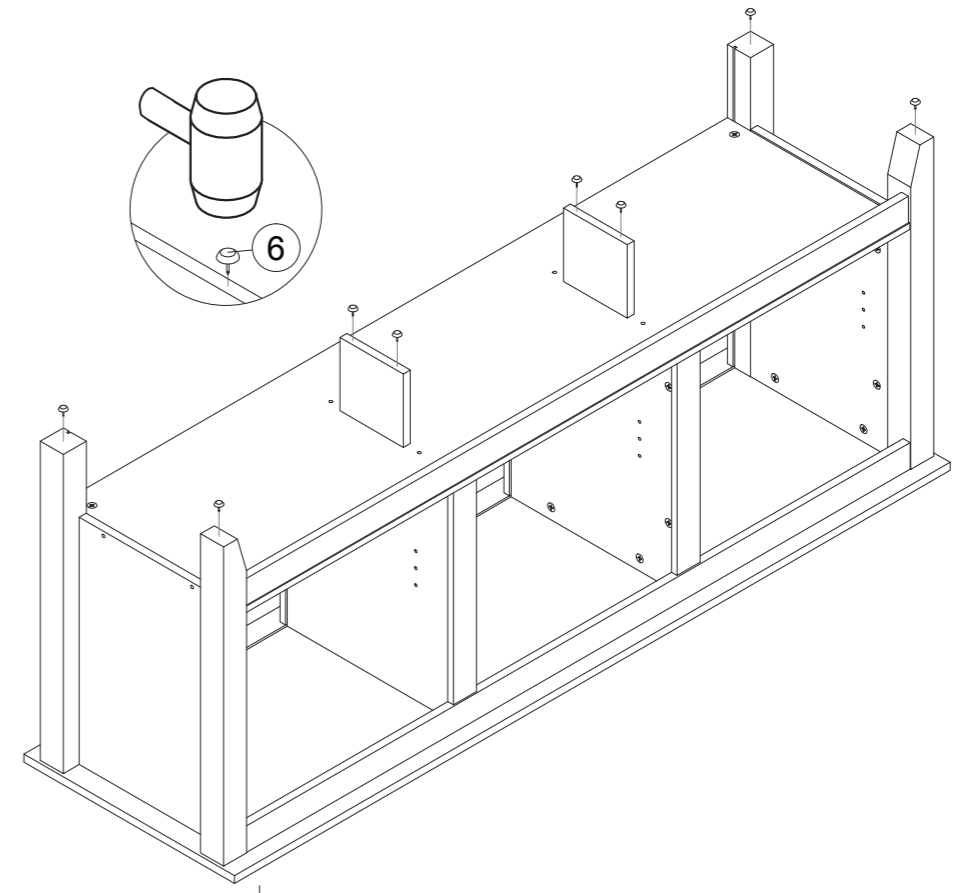
STEP 13



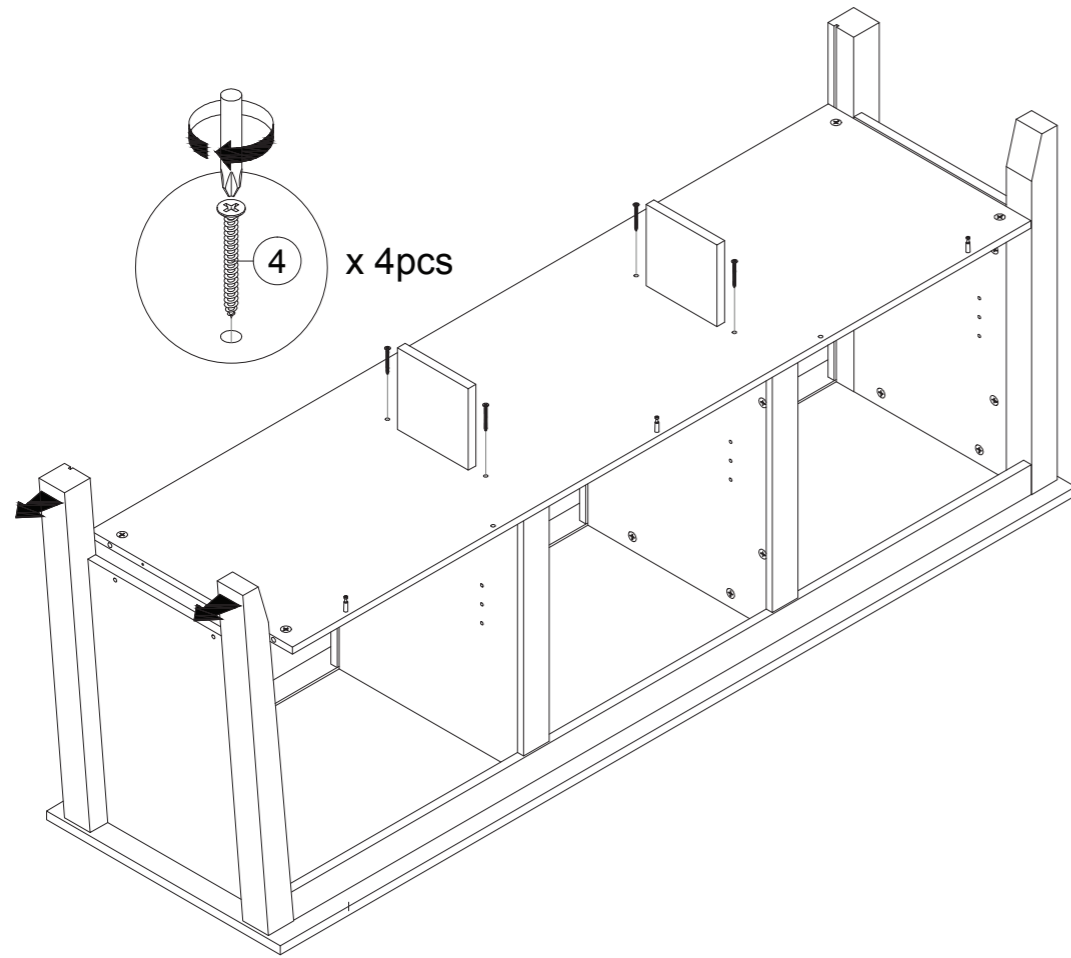
STEP 4



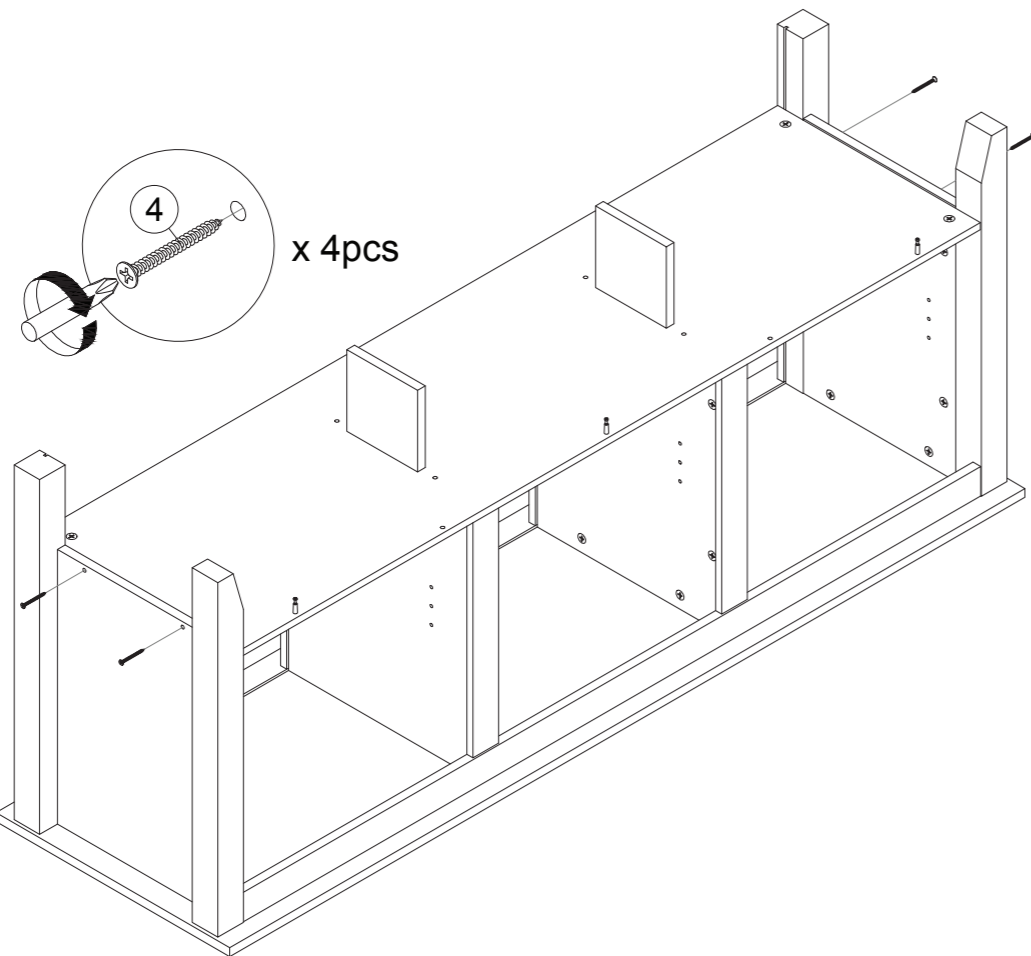
STEP 14



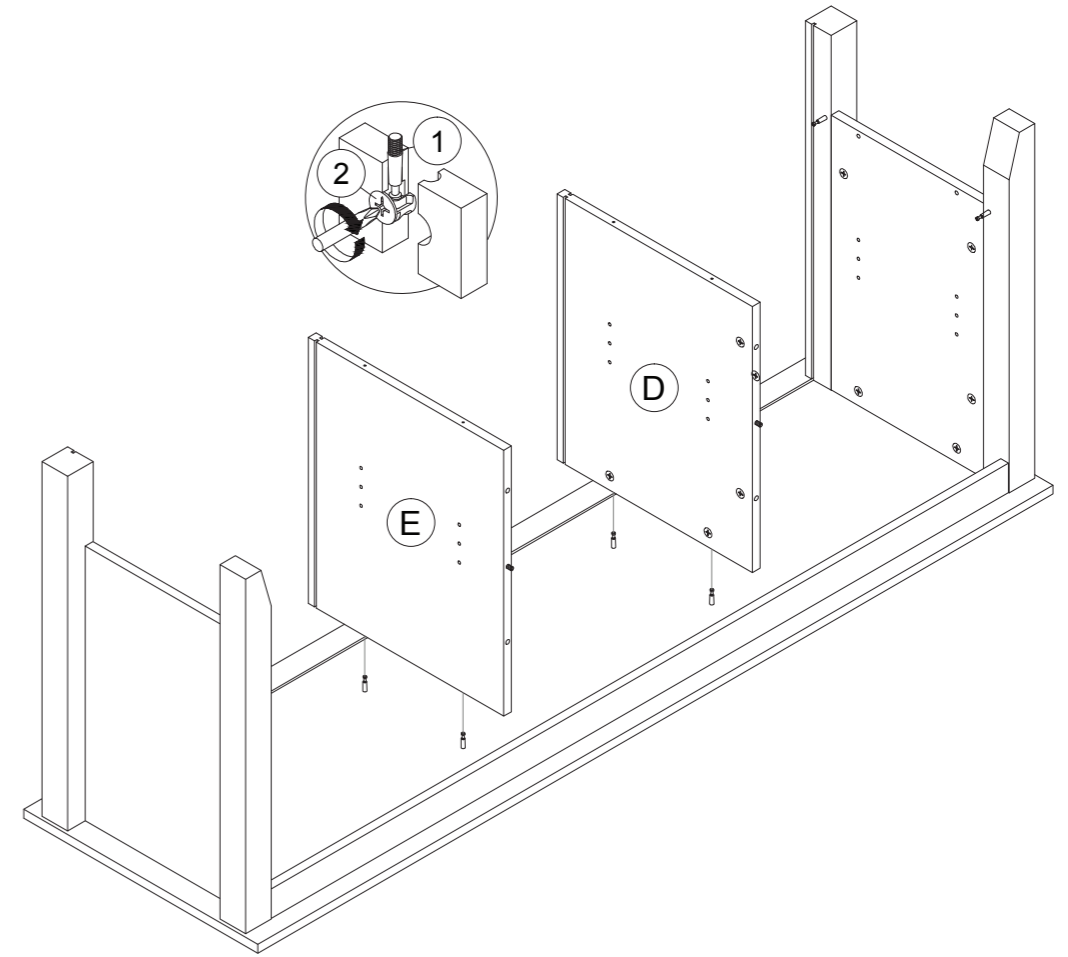
STEP 11



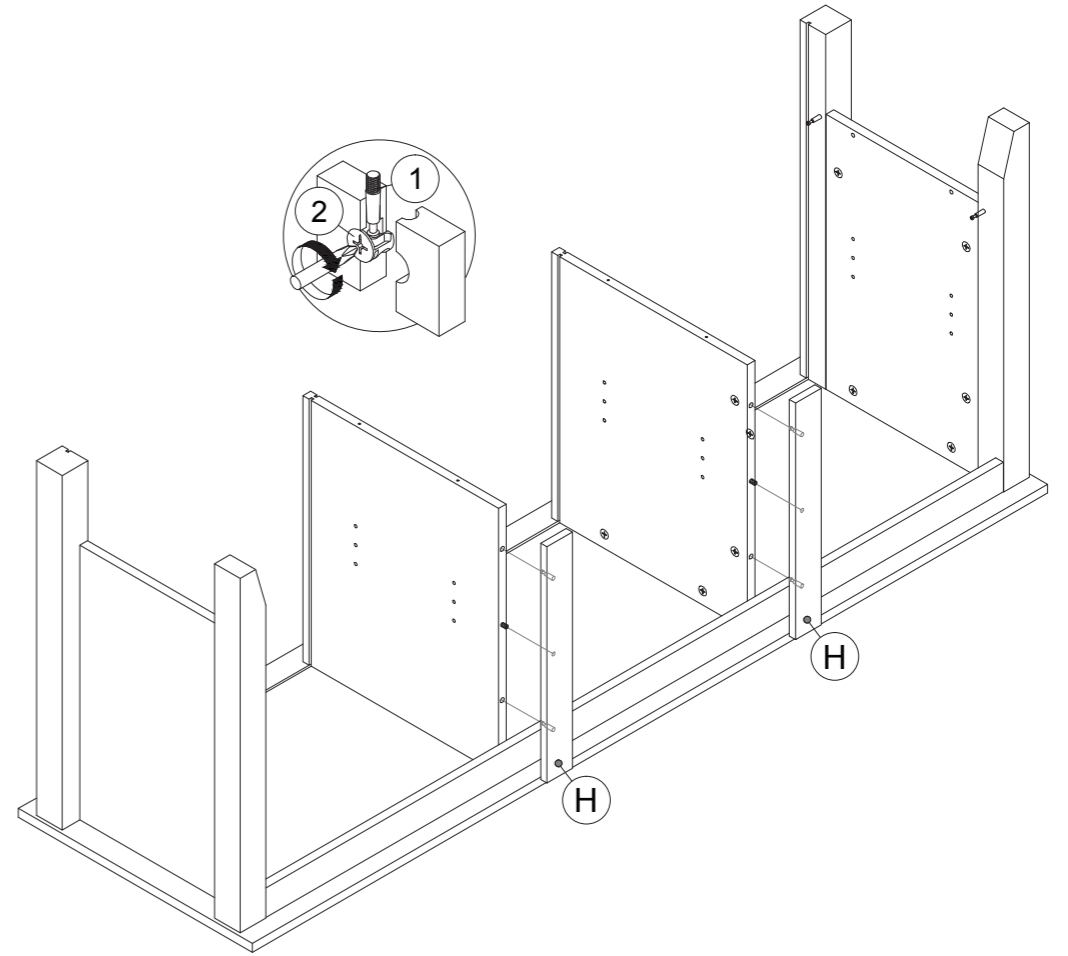
STEP 12



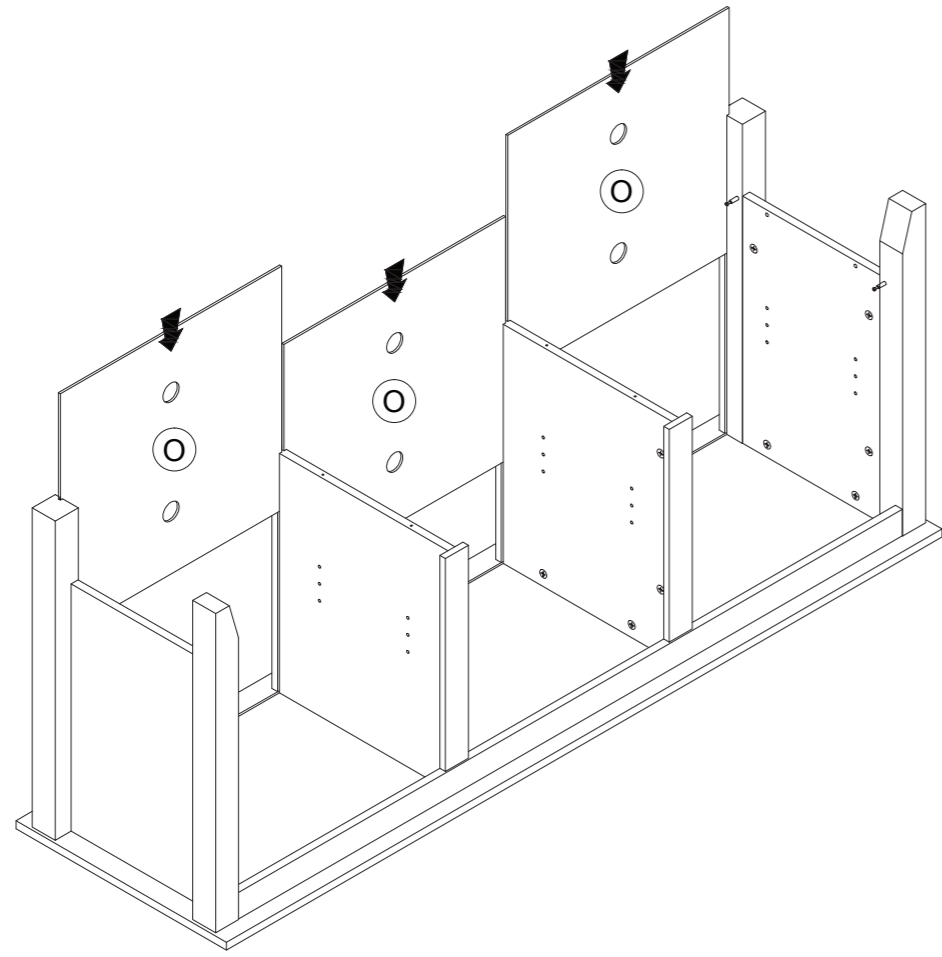
STEP 5



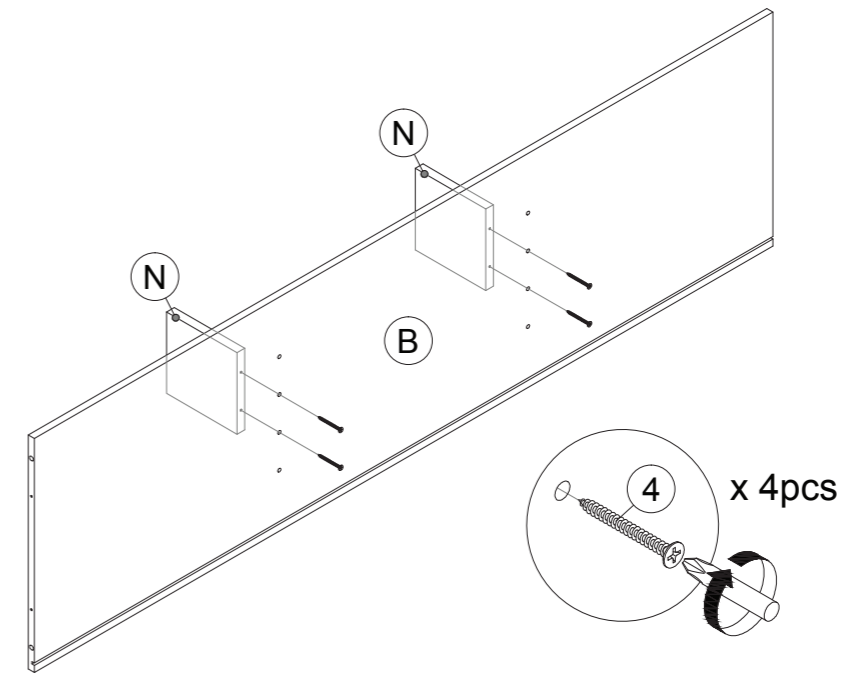
STEP 6



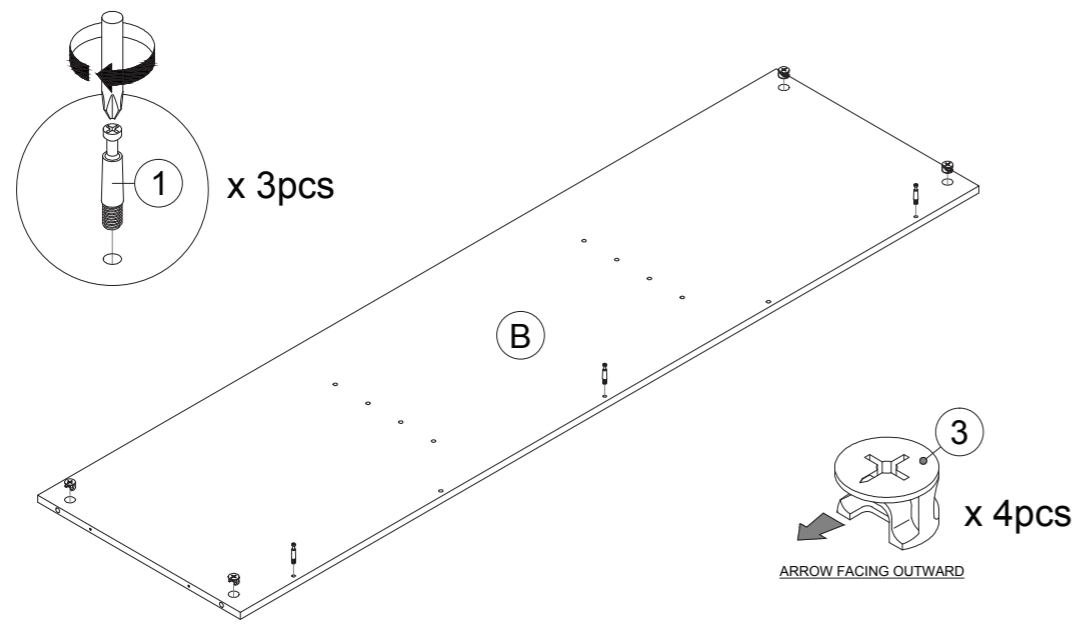
STEP 7



STEP 9



STEP 8



STEP 10

