

# Storm Door Installation Guide

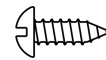
## Including



Wood Shim (2)



4\*30 Long White  
Screws (20)



4\*16 Short White  
Screws (12)



Adhesive Backed Spacer Pads (3)

**A**

Rain Cap

**B**

Expander with Sweep

**C**

Latch Rail

**D**

Hinge Rail

**E**

Rain Cap Extender

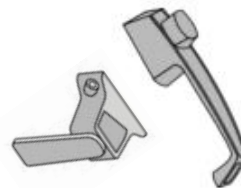
**F**

Insect Screen

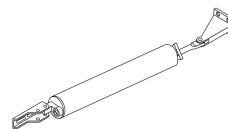
**G**

Ventilating Glass Panel

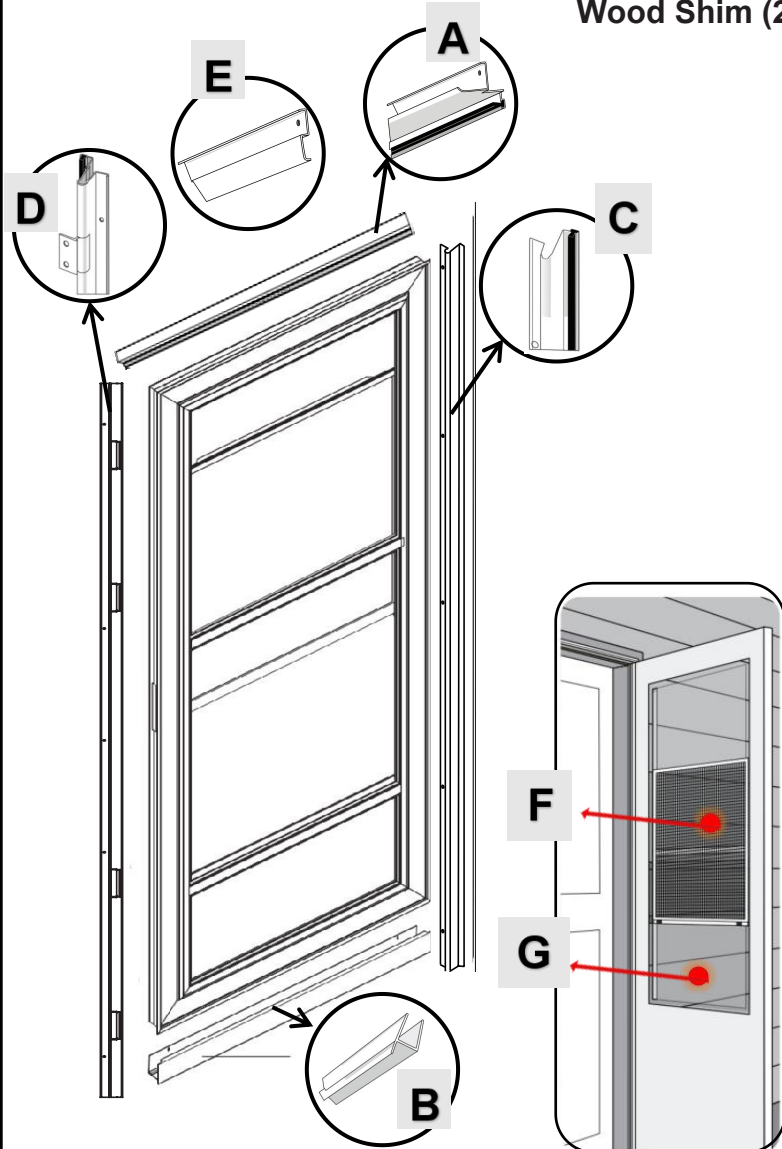
Hardware used on Page 6-8



Handle  
(Hardware kit included)



Closer  
(Hardware kit included)



## Tools



Pencil



Screw Driver



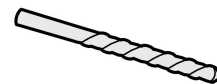
Tape Measure



Level



Driller



1/8" Drill Bit

## Prep Steps

To install the storm door, you must verify that the opening width, height and mounting surface are sufficient.

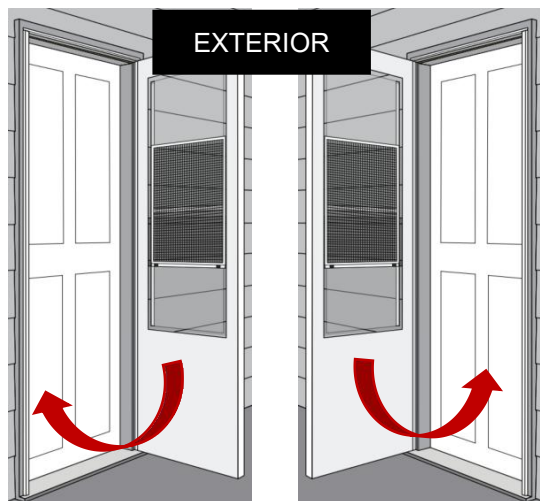
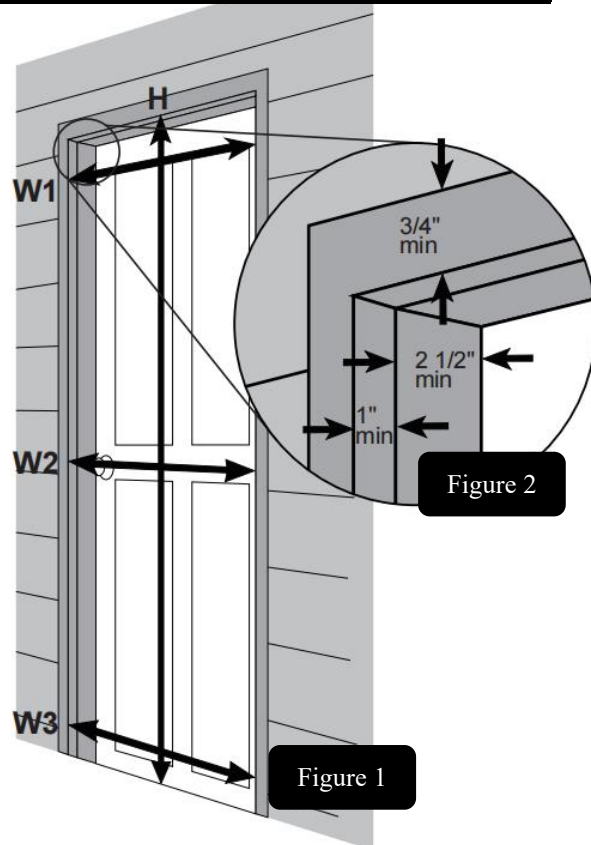
- Measure the width at the top, middle, and bottom of the opening (Figure 1). Measure from the inside of the brick mold or exterior trim. Refer to Table 1.
- Measure the height at the center of the opening. Measure from the inside of the brick mold or exterior trim, down to the top of the bottom sill. Refer to Table 1

Make sure that the brick mold or exterior trim meets the mounting surface requirements to install the rain cap, hinge rail and latch rail (Figure 2). You must have a minimum of:

- 1" mounting surface depth.
- 3/4" mounting surface front.
- 2 1/2" handle clearance

Table 1

Nominal Storm Door Sizes	Opening Sizes	
	W 1 - 3 (width)	H (height)
36" x 80"	35 1/2" TO 36 1/8"	80" TO 81"
32" x 80"	31 1/2" TO 32 1/8"	
30" x 80"	29 1/2" TO 30 1/8"	



Left Handed

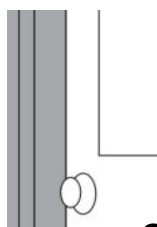
Right Handed

Confirm the handle side of the storm door.

### Attention:

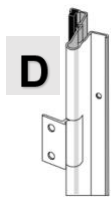
Most homeowners prefer to have the storm door handle on the same side as the entry door handle. Check for potential interference between the storm door handle and the primary door handle using the rough measurements. A minimum depth of 2" is required from the storm door mounting surface to the primary door handle.

If you anticipate hardware interferes, hand the storm door on the opposite side of your entry door.



# Install the Hinge Rail

## Hardware Provided for Hinge Rail Installation



Hinge Rail



Wood Shim (2)



Long White Screws (14)

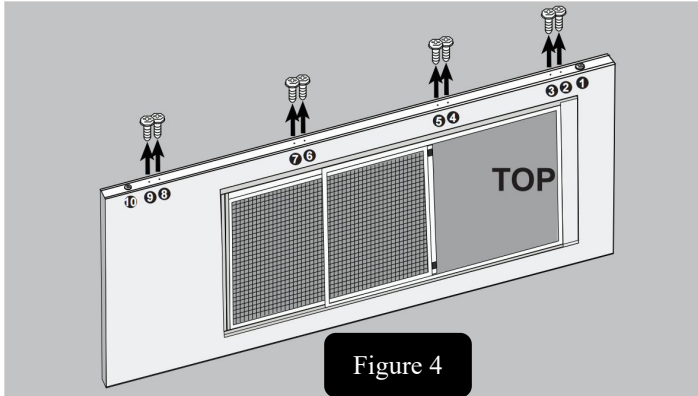


Figure 4

**Step 1:** Remove screws 2-8 from the door. (Figure 4)

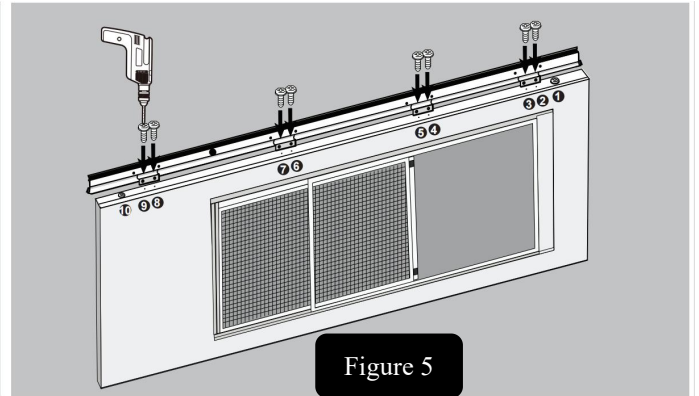


Figure 5

**Step 2:** Align the holes on the hinge rail with the holes on the door. Fasten them using previous screws removed from the door. (Figure 5)



Figure 5

**Step 3:** Put wood shims on the door sill and set the door frame on the wood shims so the hinge rail is tight against the mounting surface. Position the door by tilting it into the opening (Figure 5). Adjust the door until it is level and plumb.

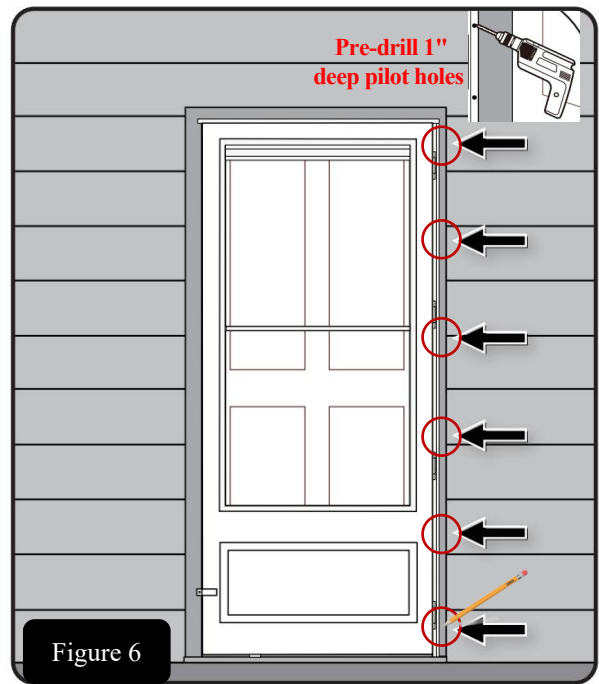
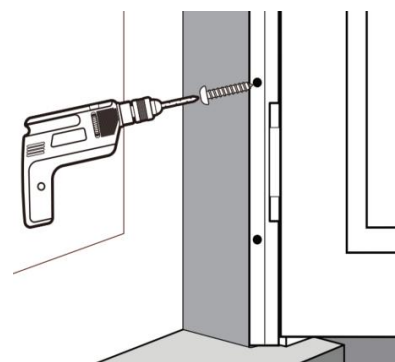
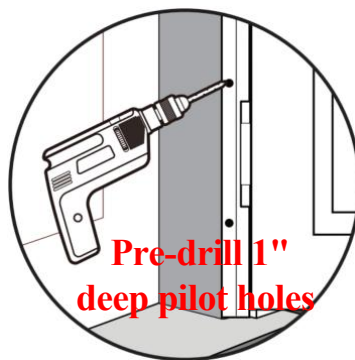
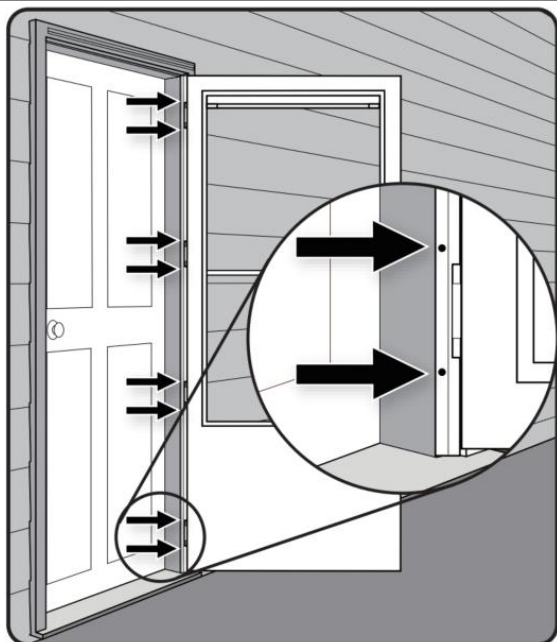


Figure 6

**Step 4:** Use a pencil to mark the positions where holes are to be drilled. (Figure 6)

**Step 5:** Use 1/8 drill bit to pre-drill 1" deep pilot holes at each position and fasten the rail hinge to the mounting surface using long white screws.

## Install the Hinge Rail



**Step 6:** Open the storm door. Use a pencil to mark the positions where holes are to be drilled. Pre-drill 1" deep pilot holes and fasten the hinge rail to the door jamb using long white screws.

## Install the Rain Cap

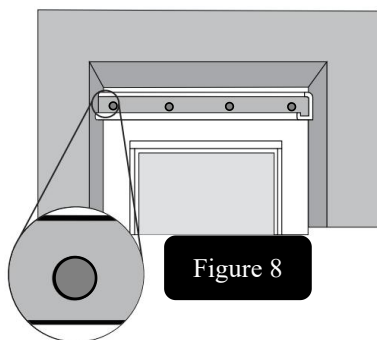
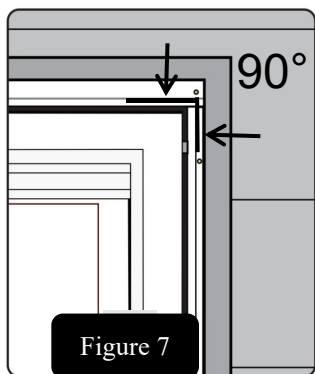
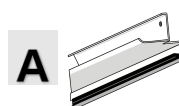
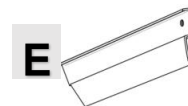


Figure 8

### Hardware Provided for Rain Cap Installation



Rain Cap



Rain Cap Extender



Short White Screws (8)

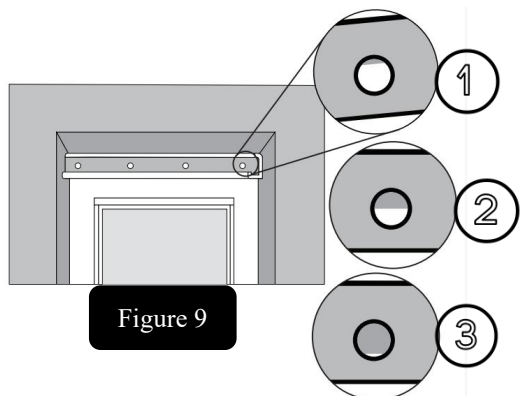


Figure 9

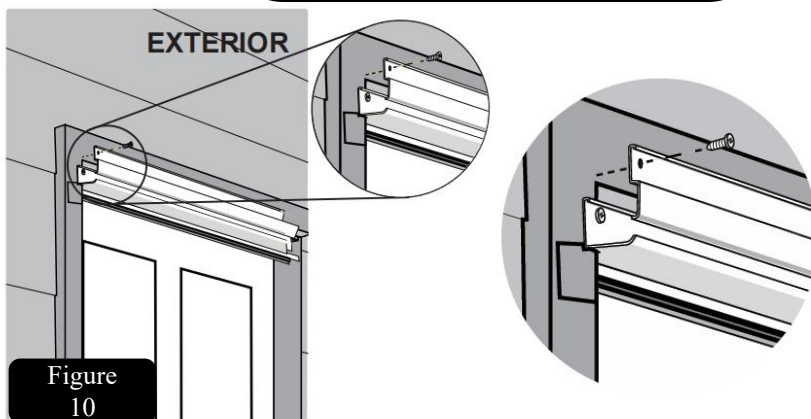


Figure 10

**Step 1:** Center the rain cap on the door frame above the storm door. Align rain cap to the top end of hinge rail. Close door to verify consistent clearance. (Figure 7)

**Step 2:** Look at the holes of the rain cap. If the mounting surface can be seen in the ENTIRE hole (Figure 8), fasten the rain cap using short white screws. If the mounting surface cannot be seen in the entire hole as situation ①, ② or ③ shown in figure 9 (Figure 9), proceed to install the rain cap extender (Figure 10).

**Rain Cap Extender installation (If needed):** Place the rain cap extender over the rain cap as shown, with both ends flush to the rain cap. Fasten rain cap extender to the mounting surface with short white screws.

# Install the Latch Rail

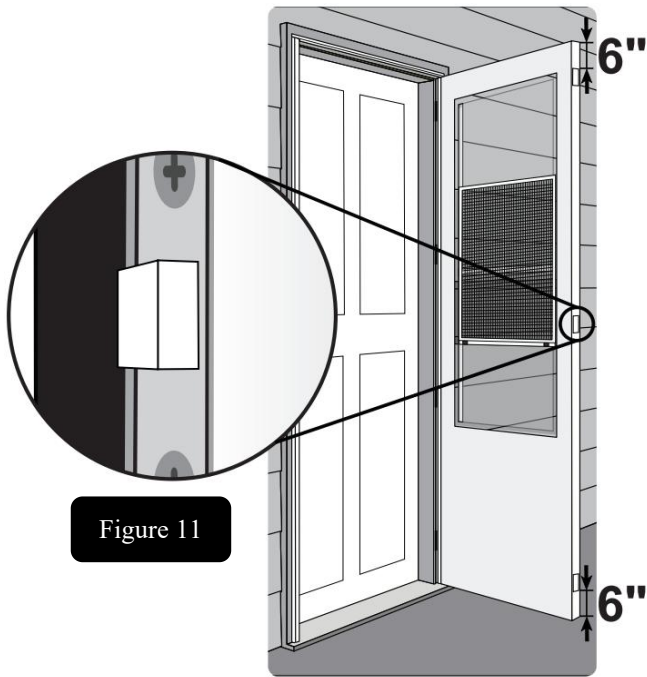


Figure 11

**Step 1:** Swing door open and wipe off residues on the edge of the door. Attach 3 square adhesive backed spacer pads to latch side door edge. Position one approximately 6" down from the top of the door, one close to center of door, and the third approximately 6" up from bottom. (Figure 11)

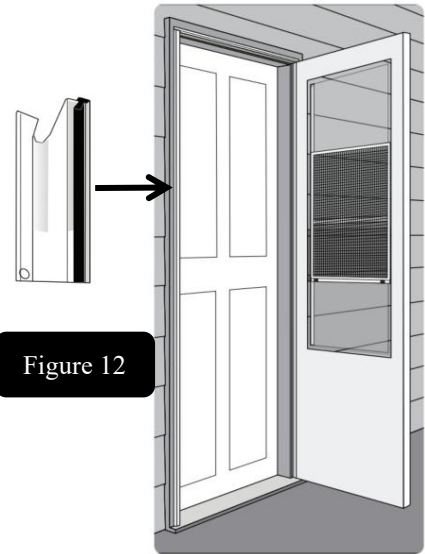
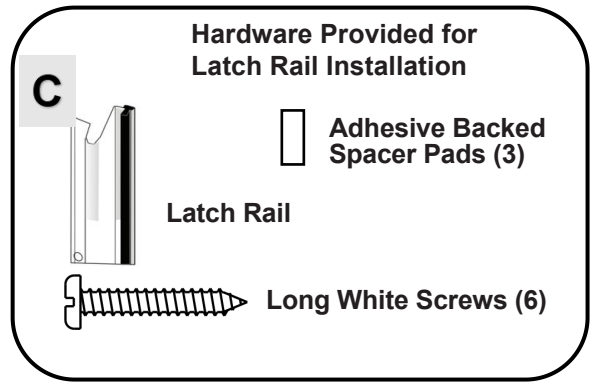


Figure 12

**Step 2:** Place the latch rail in the opening.

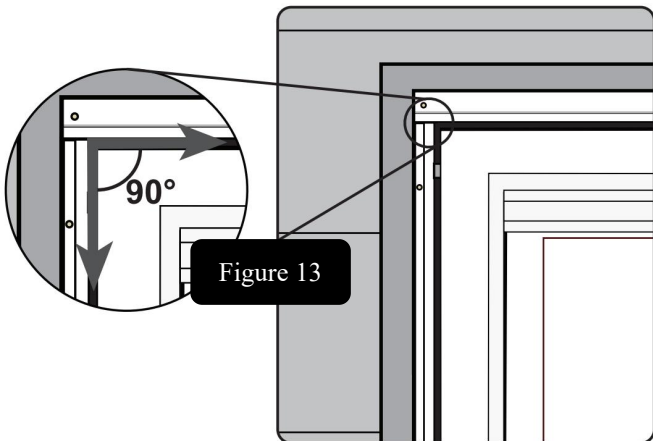


Figure 13

**Step 3:** Push up the top end against rain cap. Close the storm door and slide the latch rail towards door frame until it contacts all three spacer pads. (Figure 13)

**Step 4:** Use a pencil to mark the positions where holes are to be drilled. Use drill bit to pre-drill and long white screws to fasten latch rail to mounting surface. (Figure 14)

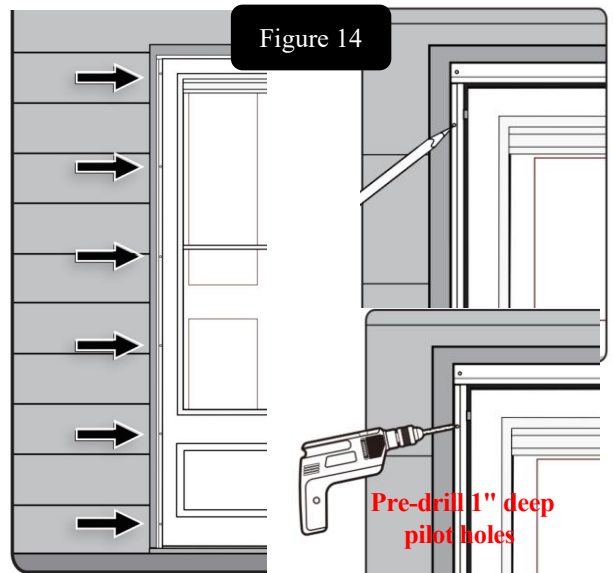


Figure 14

Pre-drill 1" deep pilot holes

## Install the Expander with Sweep

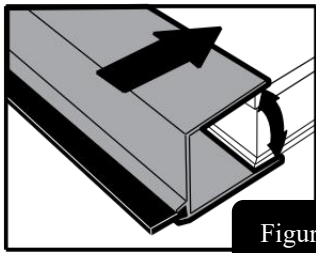


Figure 15

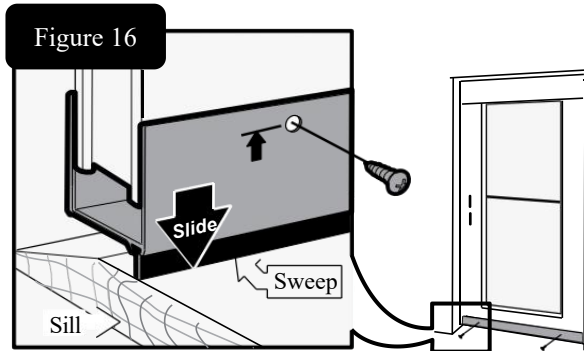


Figure 16

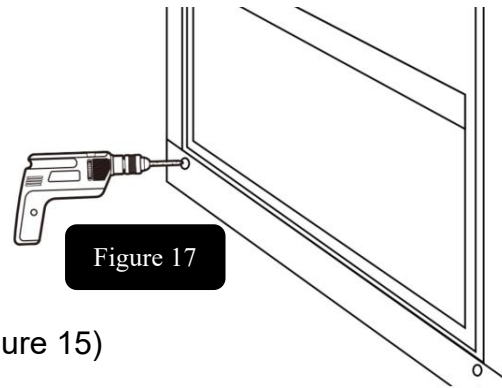
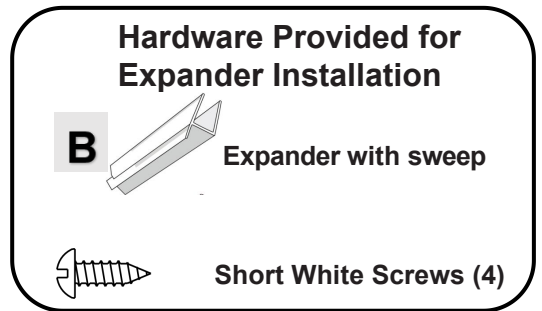


Figure 17

**Step 1:** Slide the expander onto the door. (Figure 15)

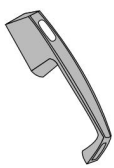
**Step 2:** Adjust the expander until it lightly contacts the sill. (Figure 16)

**Step 3:** Trim off excess sweep material and properly discard.

**Step 4:** Using short white screws and fasten the expander to the door. (Figure 17)

## Install the Push Button Handle Set

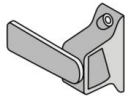
### Parts Overview:



Exterior Handle



Push Button



Interior Latch Handle



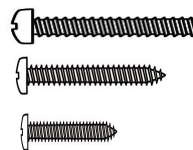
Flat Spindle



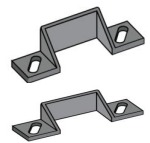
Spring



Striker Shims (2)



Flat-Head Painted Screws (2)  
Pointed Painted Screws  
Unpainted Pointed Screws(2)



Long Striker Plate  
Short Striker Plate



Figure 18

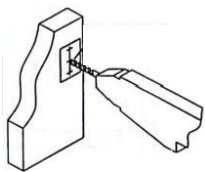
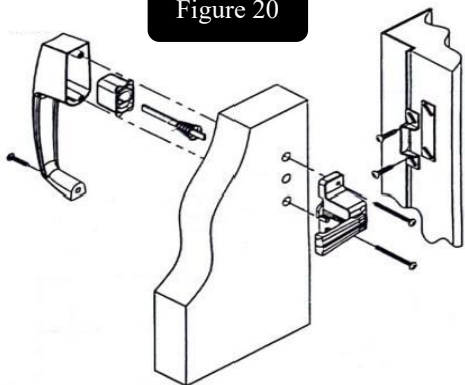


Figure 19

1. Close Screen door and place inside handle on door frame at desired height. Check to make sure there will be no interference between the primary door handle and storm door handle prior to drilling.
2. Place the centerline of the template at the location marked on the door. Fold the template around the edge of the door, aligning the door edge lines on the template with the door edges. Tape the template in place.(Figure 18)
3. Drill holes from each side of door frame according to the template, drilling 1/8" shallow starter holes first. For proper alignment of holes and to eliminate burrs, drill each hole from its own side of the door. Do not drill completely through the door from one side only.

## Install the Push Button Handle Set

Figure 20



4. Assemble exterior handle, push button, spring and flat spindle together. (Figure 20)

5. Slide the flat-head screws and the flat latch spindle of the exterior handle through the predrilled holes in the exterior of the door. Continue to hold the exterior handle against the exterior of the door. Install the interior latch by inserting the flat spindle into the center hole of the interior latch. Be sure that the flat latch spindle is seated properly in the interior latch. (Figure 20)

6. Install the interior latch by inserting the flat spindle into the center hole of the interior latch. Be sure that the flat latch spindle is seated properly in the interior latch. (Figure 20)

7. Fasten the interior latch to the door with the short pointed screw. Squeeze the exterior handle and the interior latch against the door while tightening the screws to achieve a secure fit.

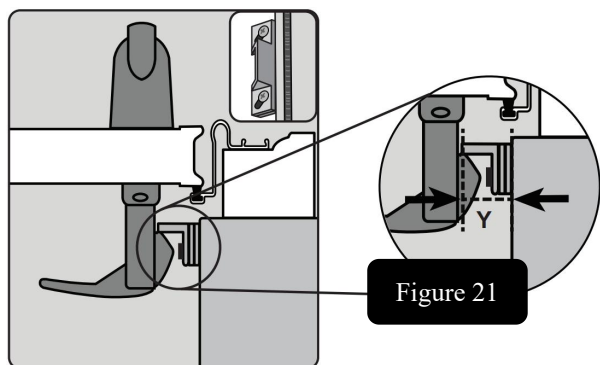


Figure 21

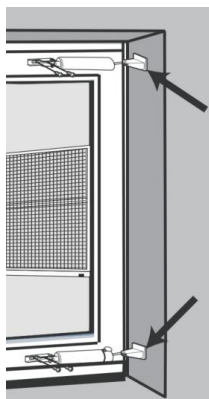
8. Hold the door closed from the interior and slide the latch striker behind the interior latch. Mark the mounting slot locations through the slots of the latch striker onto the door jamb.

**NOTE:** In this step, select the appropriate latch striker based on the measurement "Y" between the door and the latch rail. When the data is smaller than 15/32", choose the short latch striker. When it falls between 15/32" and 19/32", install the short latch striker with shim(s) as needed. When it falls between 5/8" and 23/32", install the long latch striker (refer to Figure 21). When it is wider than 23/32", install the long latch striker with shim(s) as needed.

9. Open the door, remove the latch striker and pre-drill two pilot holes at the marked locations. Fasten the striker plate to the door jamb with long pointed screws.

## Install the Closer

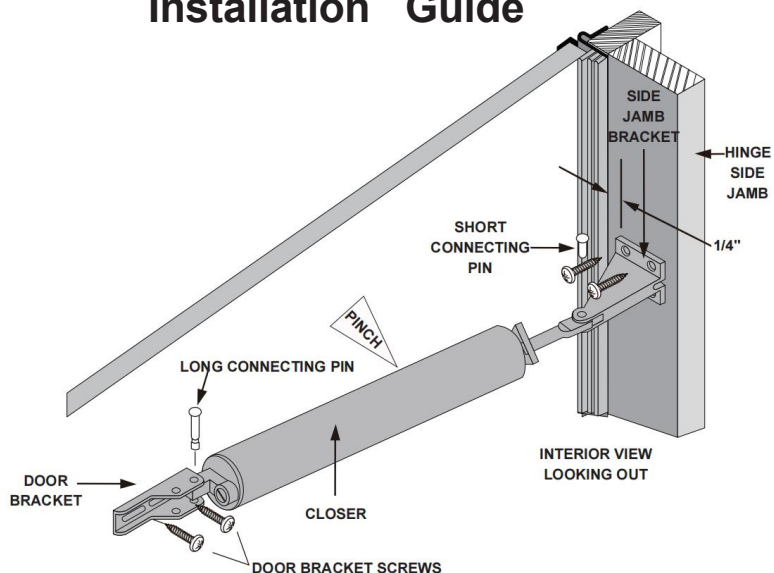
**Feasible to Mount at Both Top and Bottom**



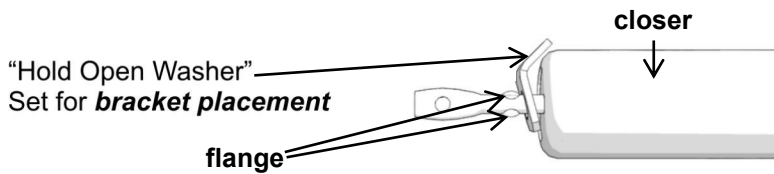
Top mounting

Bottom mounting

**Installation Guide**



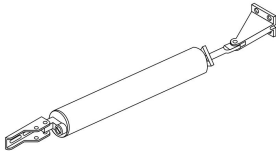
# Install the Closers



**Note:** Position hold open washer between flange and closer. This will hold door open slightly.

## Preparation:

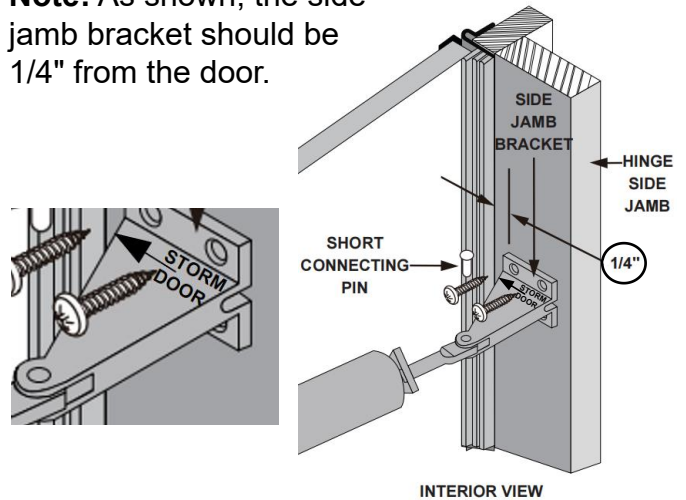
- Close and latch storm door
- Assemble the closer, door bracket and side jamb bracket as shown using the long connecting pin and short connecting pin.



- Level the assembly and brackets during installation.

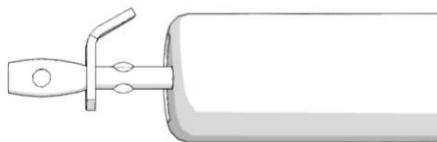
**Step 1:** Use 4 long unpainted screws to install the side jamb bracket at your desired height.

**Note:** As shown, the side jamb bracket should be 1/4" from the door.

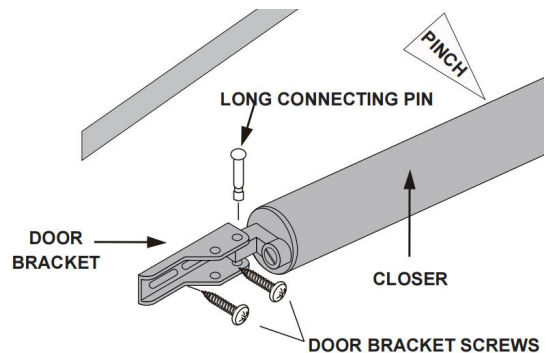


**Step 2:** After installing the side jamb bracket, return the "Hold Open Washer" to the normal position.

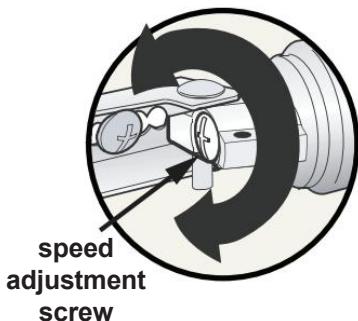
"Hold Open Washer"  
in **normal position**



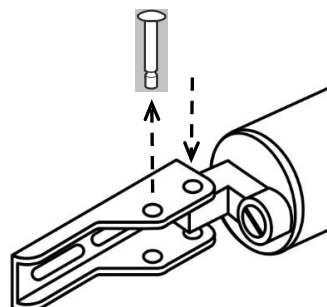
**Step 3:** Install the door bracket as shown in front closure tube hole using 2 short unpainted screws.



**CAUTION:** Do Not drill all the way through door.



Closing speed can be regulated by turning the speed adjustment screw clockwise to decrease and counterclockwise to increase.



If **less** latching power is required, prop the door open slightly using the "Hold Open Washer". Pull the long pin from the door bracket and move it to the rear hole on the closure tube.