

EMILE FREESTANDING TUB FILLER TRIM

FEATURES

- Solid brass construction
- Floor mounted bath filler
- Single lever extra long handle
- Diverter spout with hand shower
- Ceramic disc cartridge

COLORS/FINISHES

- #CP Polished Chrome
- #BN Brushed Nickel

INSTALLATION NOTES

This product is designed for a floor mount by a licensed professional plumber. Please refer to the installation manual for further instructions.

REQUIRED PRODUCTS

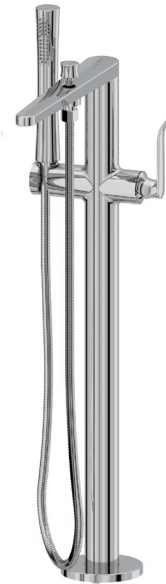
OAN-20501 FREESTANDING TUB FILLER
ROUGH-IN VALVE

WARRANTY

- Five-year Limited Warranty for residential use
- One-year Limited Warranty for commercial use

SHIPPING INFORMATION

Package Dimensions
37" x 18 1/2" x 11"
Package Weight
24.2 lbs



MATERIAL

- Brass
- Zinc

FLOW RATE

7.32 gpm (27 L/min) @ 60 psi - spout
1.75 gpm (6.6 L/min) Max Flow @ 80 psi - handshower

PLEASE NOTE:

Final achievable flow rate is dependent on the outlets fitted, see relevant outlets (spouts, rose, sprays) for assembled product flow rate.

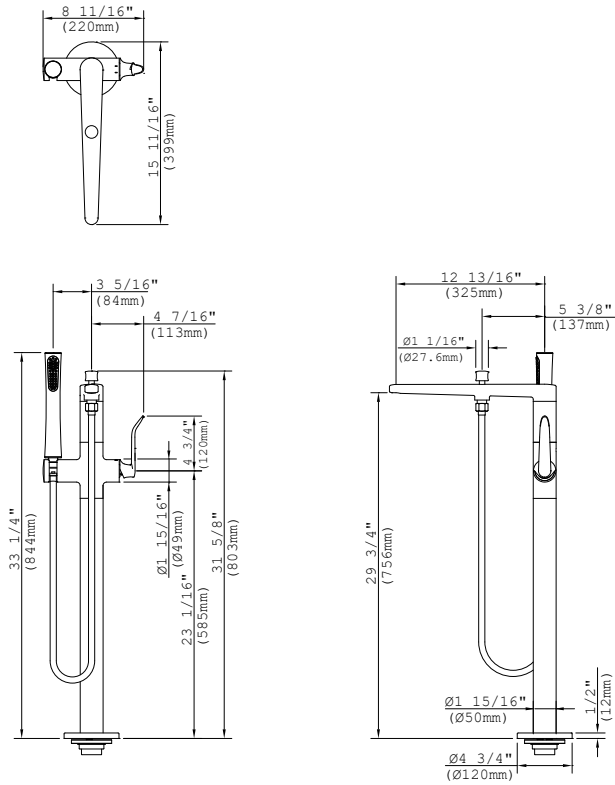
CODES/STANDARDS

- Certifications: IAPMO(cUPC)
- Certifications: Watersense(EPA) - applies to the handshower only, EMI-17350

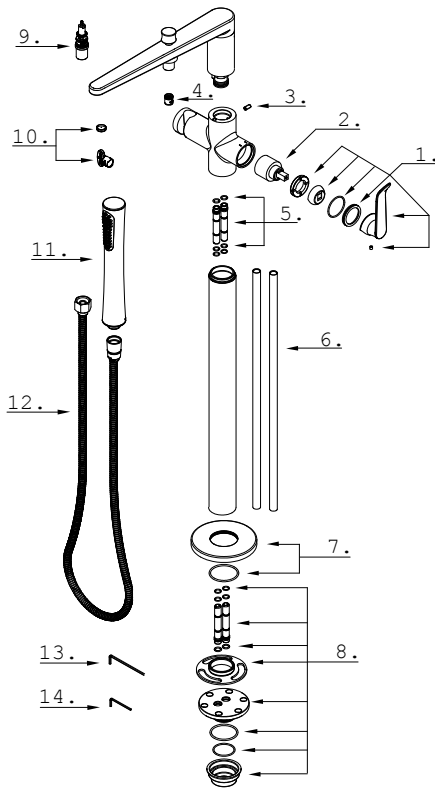




DIMENSIONS



SERVICE PARTS



1. Handle Assembly (A662A34)
2. Cartridge (A507748E)
3. Set Screw (A075220)
4. Check Valve (A519212N)
5. Adaptor Assembly (PR) (A663A41)
6. Internal Pipe (PR) (A043055)
7. Floor Escutcheon Plate Assembly (A667A18)
8. Body Assembly (A661523)
9. Diverter (A501359R)
10. Aerator Assembly (A66G291)
11. Hand Shower (EMI-17350)
12. Shower Hose (1.5M) (A105681)
13. Allen Key (A031017)
14. Allen Key (A031000)

DATE: 11 MAY 2021