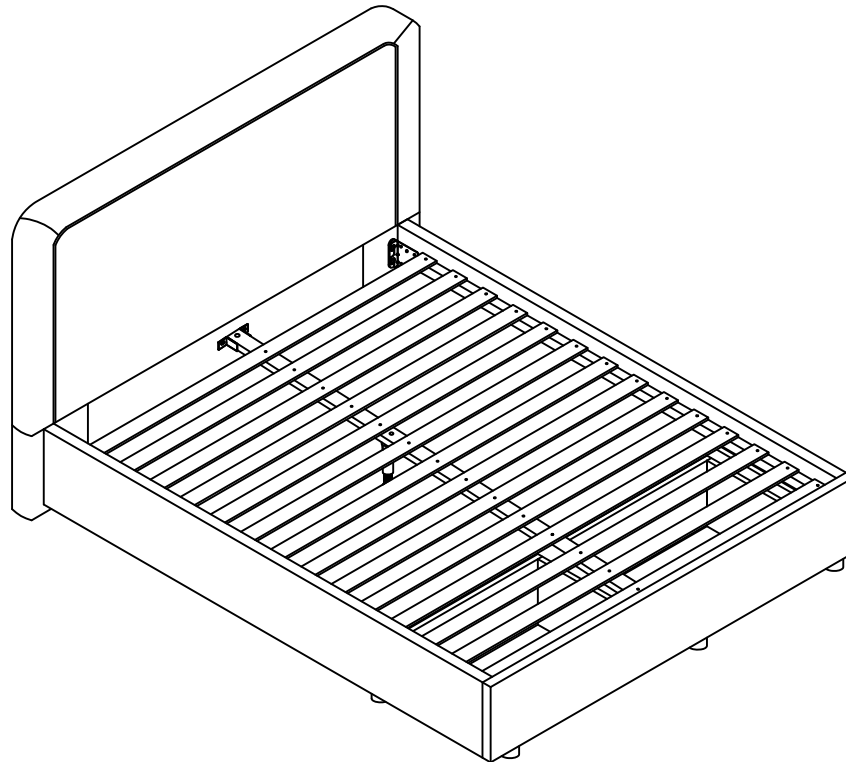


MOE'S

Assembly Instructions

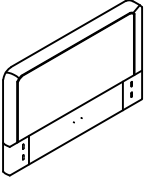
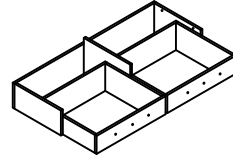

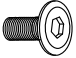
Simon King Storage Bed Flecked Beige

RN-1159-34-0

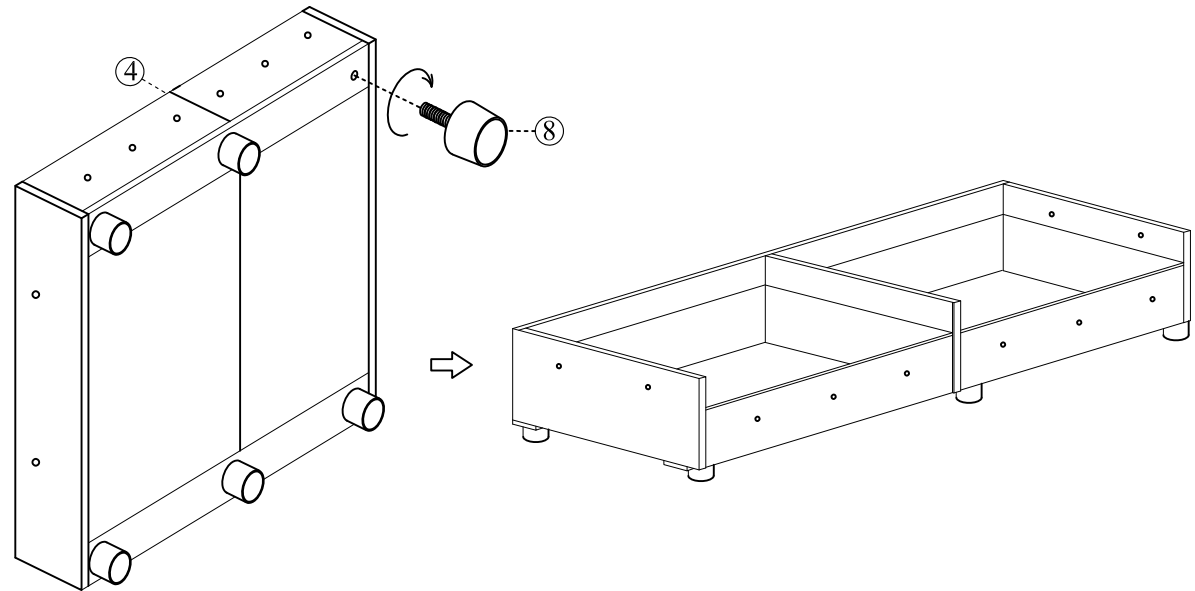


THANK YOU FOR YOUR PURCHASE!

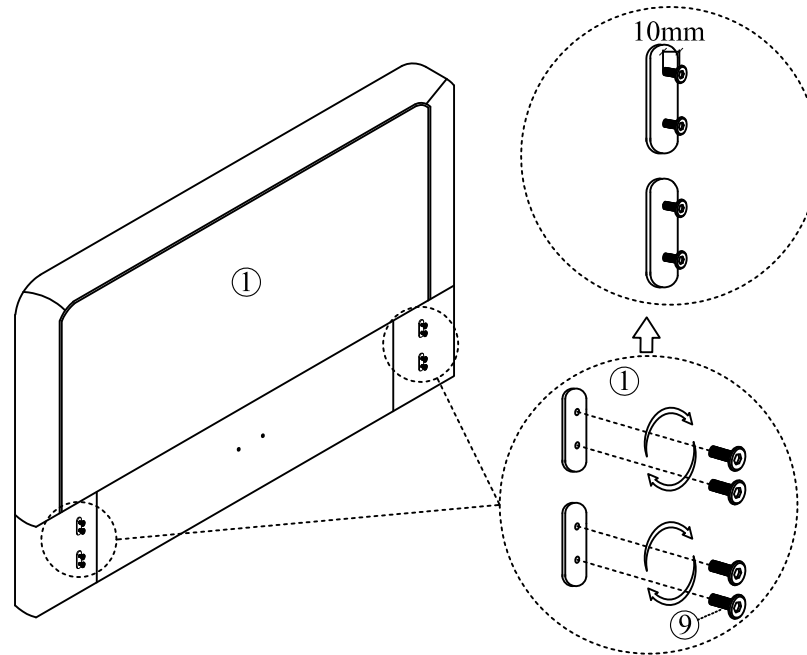
Parts and Hardware

 ① Headboard=1pc	 ④ Footboard Drawer =1pc
 ⑧ Feet=6pcs	 ⑨ Gold Bolts(M8*18mm) =8pcs

Step 1



Step 2



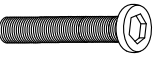
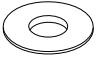



Notes

Thank you for purchasing this quality product!
Be sure to check all packing material carefully
for small part that may have come loose inside
the carton during shipping.

CAUTION: The item is heavy, assembly
should be performed by two people.

Parts and Hardware

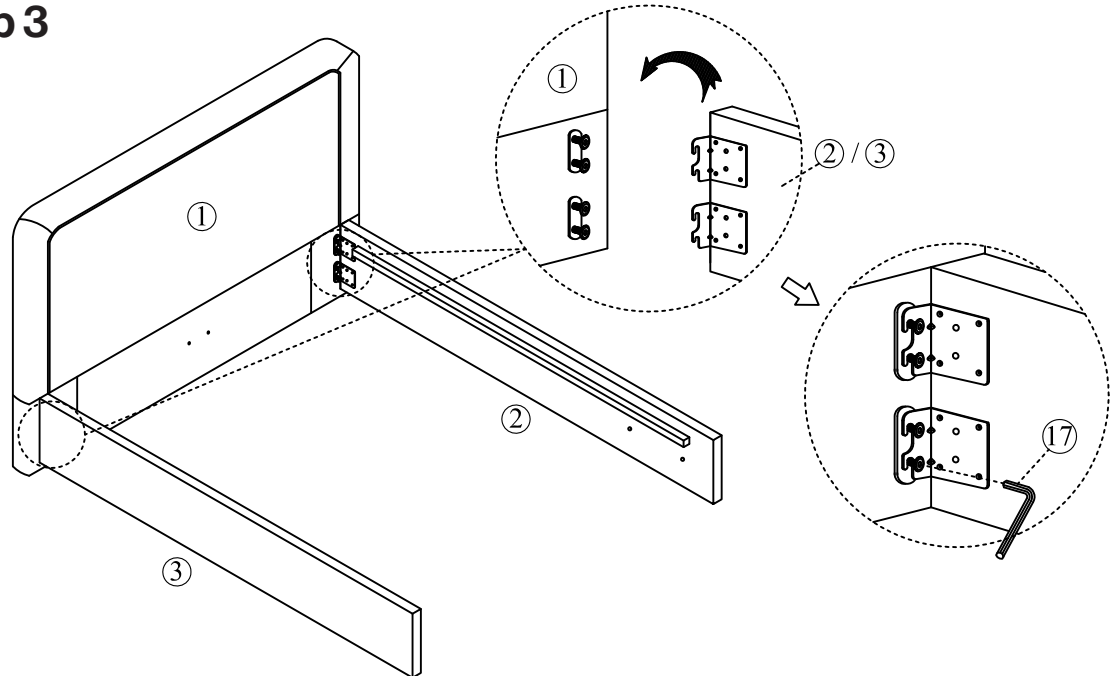
 ② Right Side Rail =1pc	 ③ Left Side Rail =1pc
 ⑪ Bolts(M8*35mm) =4pcs	 ⑫ Washers (M8)=4pcs
 (M5) ⑬ Allen Key=1pc	

Notes

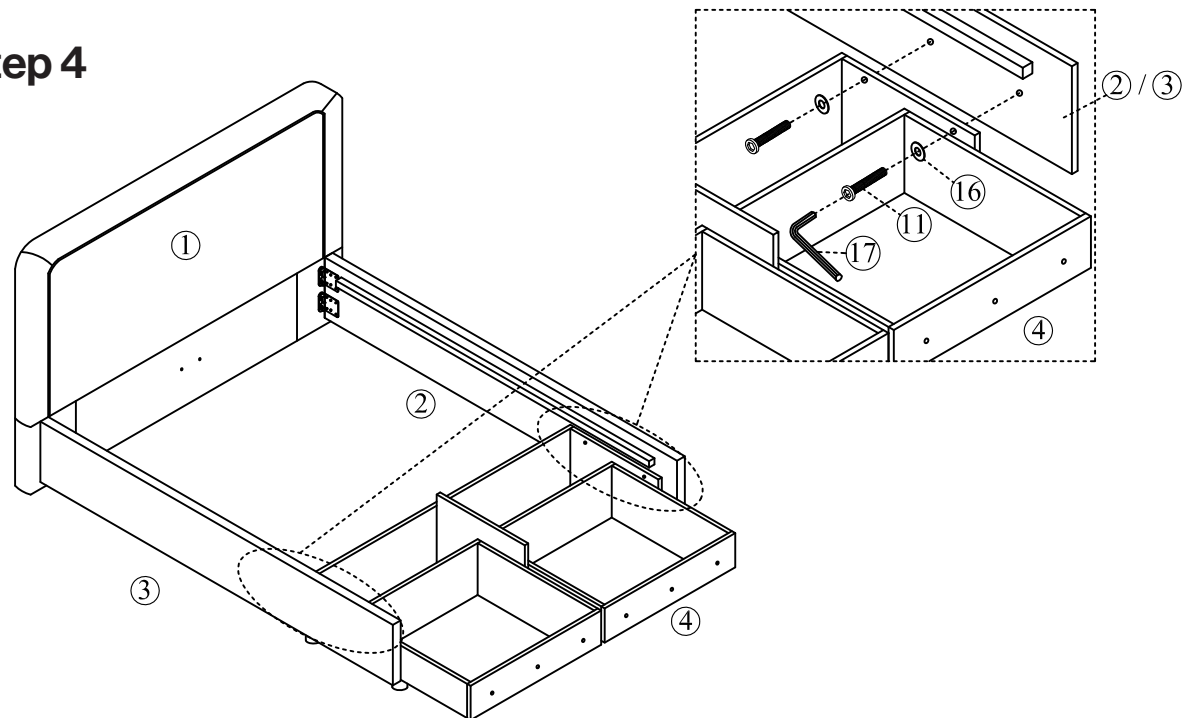
Thank you for purchasing this quality product!
Be sure to check all packing material carefully
for small part that may have come loose inside
the carton during shipping.

CAUTION: The item is heavy, assembly
should be performed by two people.


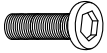
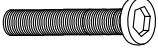
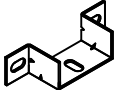

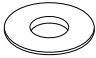
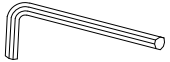
Step 3



Step 4



Parts and Hardware

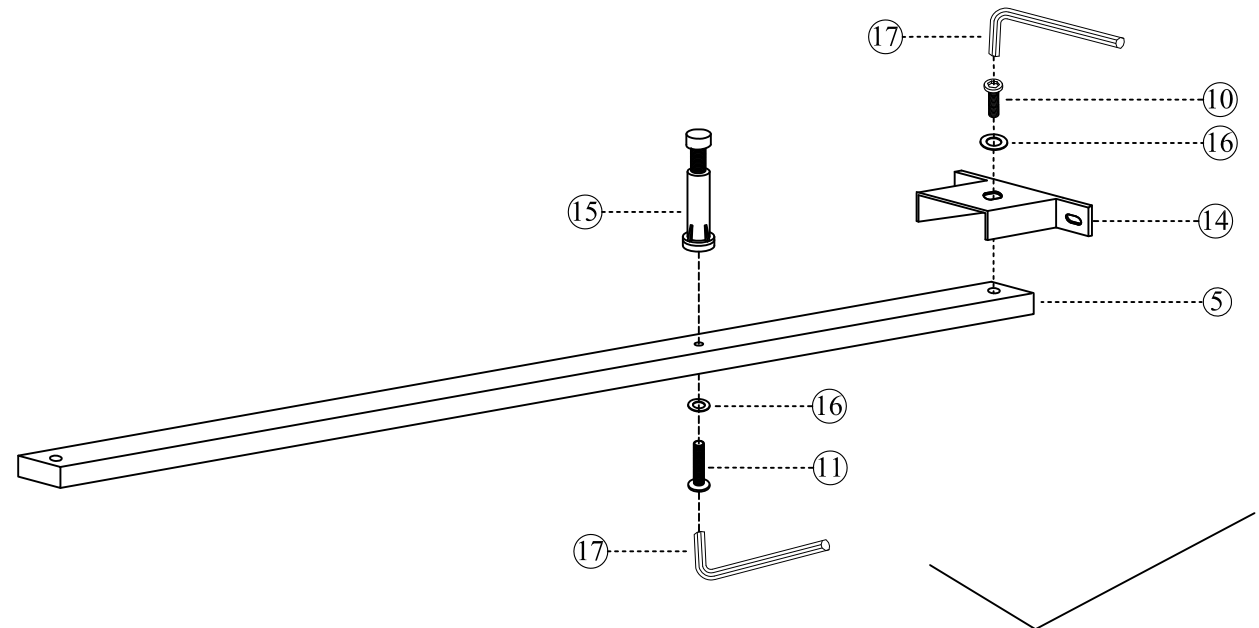
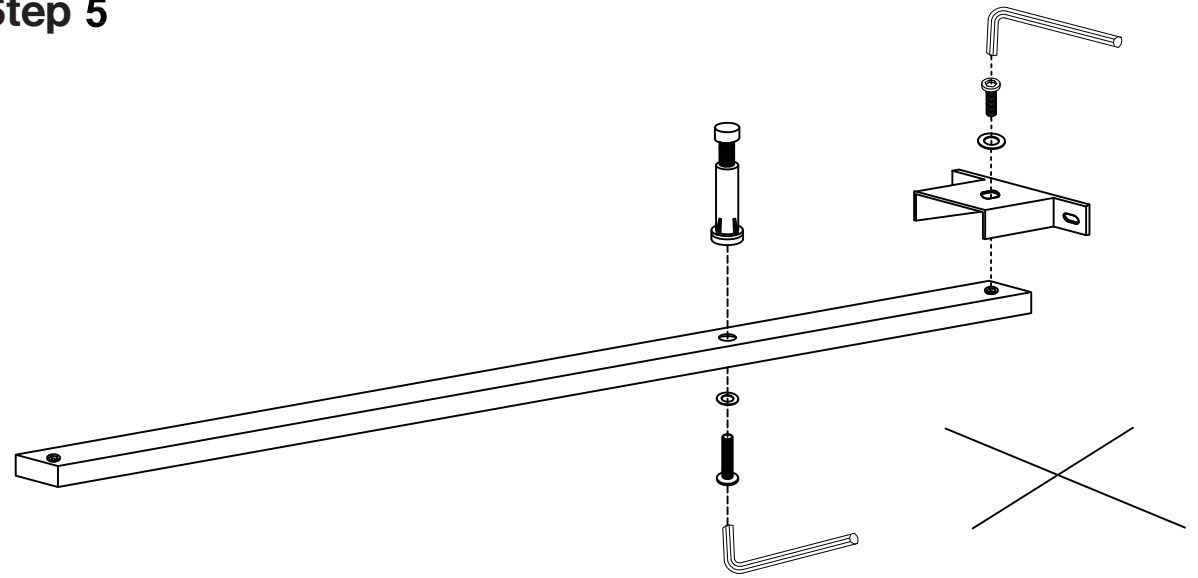
 ⑤ Center Rail=1pc	 ⑩ Bolts(M8*25mm)=1pc
 ⑪ Bolts(M8*35mm)=1pc	 ⑭ Bracket=1pc
 ⑮ Plastic Support Leg=1pc	 ⑯ Washers (M8)=2pcs
 ⑰ Allen Key=1pc	

Notes

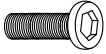

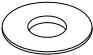

Thank you for purchasing this quality product! Be sure to check all packing material carefully for small part that may have come loose inside the carton during shipping.

CAUTION: The item is heavy, assembly should be performed by two people.

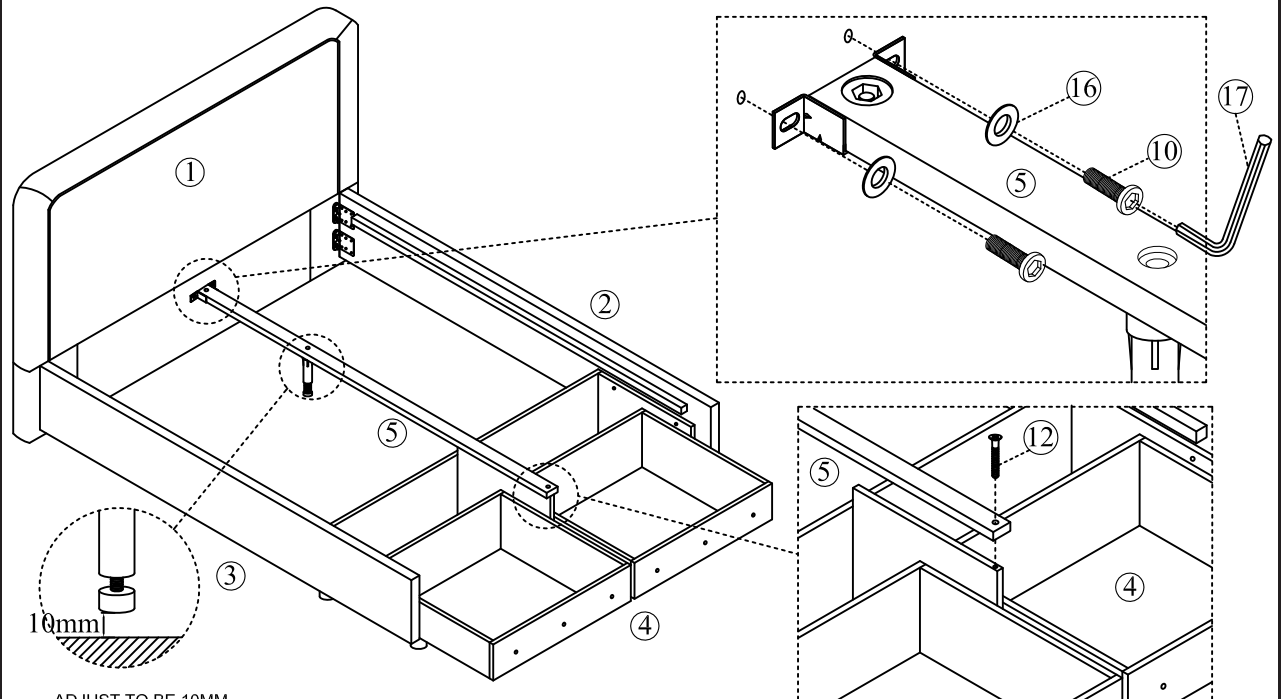
Step 5



Parts and Hardware

 ⑩ Bolts(M8*25mm) =2pcs	 ⑫ Bolts(M7*38mm) =1pc
 ⑬ Washers (M8)=2pcs	 (M5) ⑭ Allen Key=1pc

Step 6



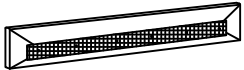

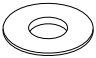

ADJUST TO BE 10MM
GAP FROM FLOOR TO
THE BOTTOM OF
SUPPORT LEGS.

Notes

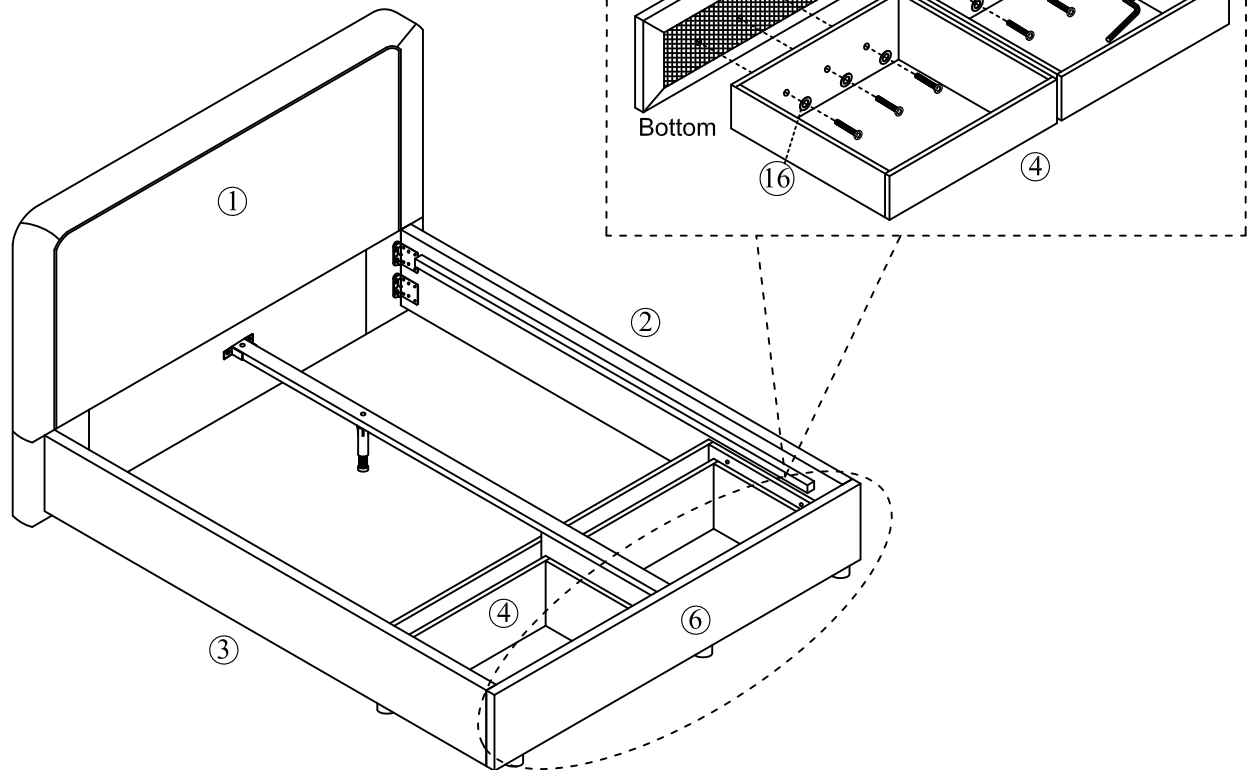
Thank you for purchasing this quality product!
Be sure to check all packing material carefully
for small part that may have come loose inside
the carton during shipping.

CAUTION: The item is heavy, assembly
should be performed by two people.

Parts and Hardware

 ⑥ Drawer Board =1pc	 ⑪ Bolts(M8*35mm) =6pcs
 ⑫ Washers (M8)=6pcs	 (M5) ⑬ Allen Key=1pc

Step 7



Notes

Thank you for purchasing this quality product!
Be sure to check all packing material carefully
for small part that may have come loose inside
the carton during shipping.

CAUTION: The item is heavy, assembly
should be performed by two people.

Parts and Hardware

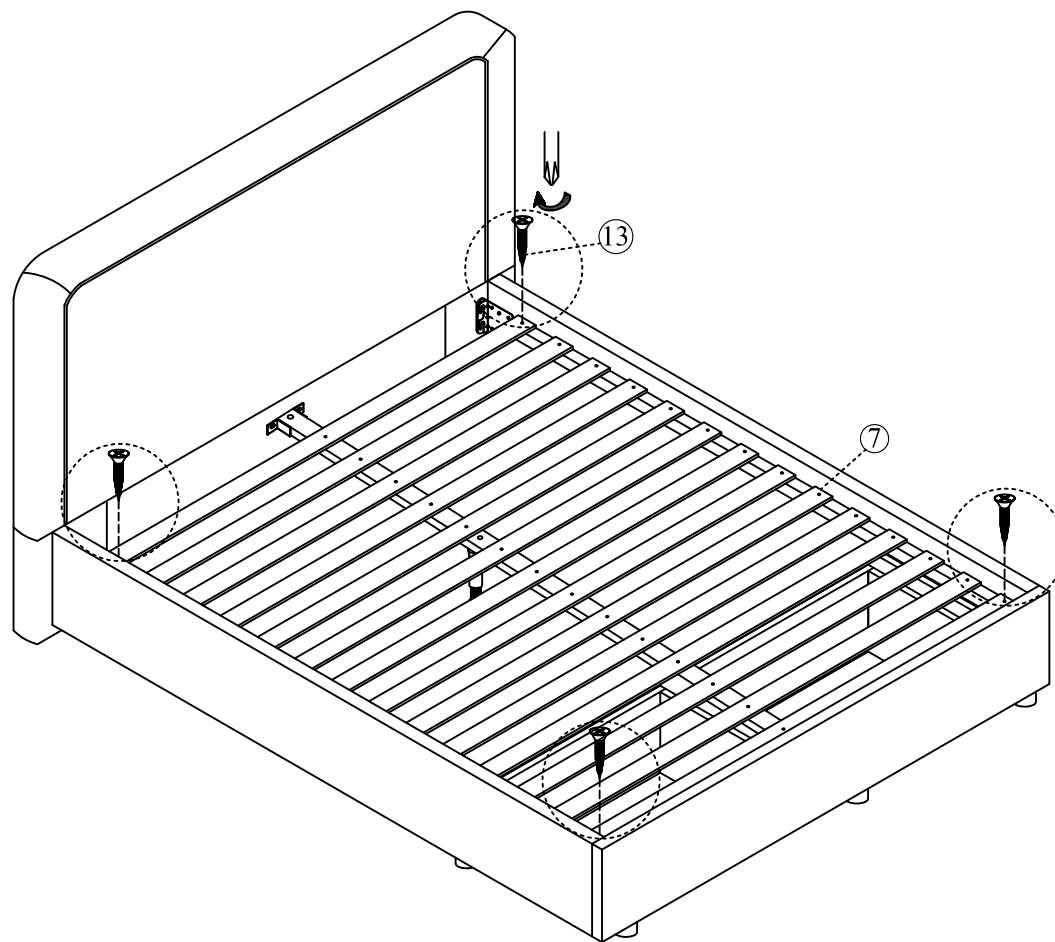


⑦ Slats=1pc



⑬ Screws(M4*32mm)
=4pcs

Step 8



Notes

Thank you for purchasing this quality product!
Be sure to check all packing material carefully
for small part that may have come loose inside
the carton during shipping.

CAUTION: The item is heavy, assembly
should be performed by two people.

Parts and Hardware



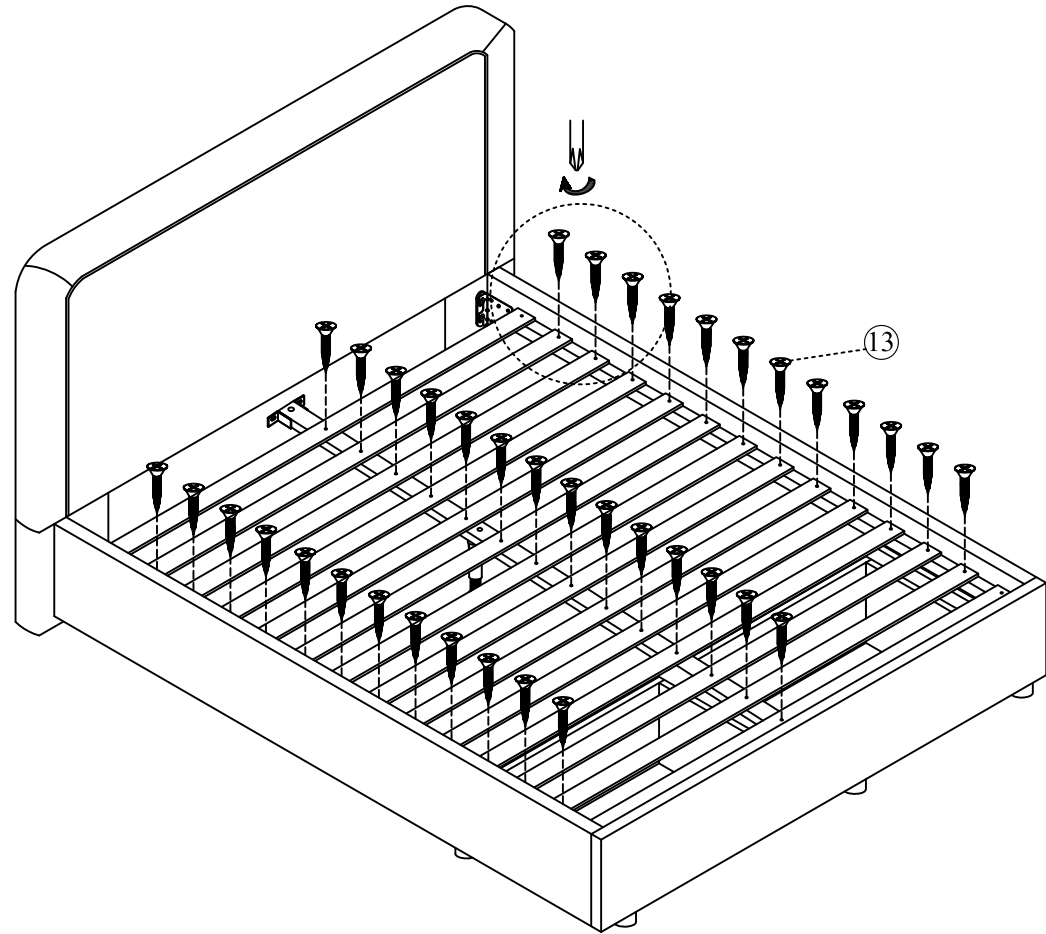
⑬ Screws(M4*32mm)
=38pcs

Notes

Thank you for purchasing this quality product!
Be sure to check all packing material carefully
for small part that may have come loose inside
the carton during shipping.

CAUTION: The item is heavy, assembly
should be performed by two people.

Step 9



Warning: When you need to move the bed please lift it, do not drag it.